



US00D441309S

(12) **United States Design Patent**
Evans, Jr. et al.

(10) **Patent No.:** **US D441,309 S**
(45) **Date of Patent:** **** May 1, 2001**

(54) **TAPE MEASURE**
(75) Inventors: **John Joseph Evans, Jr.**, Charleston;
Roger Dennis Thibodeau, North
Charleston, both of SC (US); **Wayne**
Patrick Phillips, Hudson, WI (US);
Jerome Allan Grunstad, Inver Grove
Heights, MN (US)

4,730,783 3/1988 Lamson .
4,903,912 2/1990 Coughlin .
5,210,956 5/1993 Knispel et al. .
5,295,308 3/1994 Stevens et al. .
5,367,785 11/1994 Benarroch .
5,746,004 5/1998 Wertheim .
5,791,581 8/1998 Loeffler et al. .

FOREIGN PATENT DOCUMENTS

(73) Assignee: **The L.S. Starrett Company**, Athol,
MA (US)
(**) Term: **14 Years**

2 065 305 6/1981 (GB) .
92 803 6/1983 (JP) .
120 901 7/1984 (JP) .
135 801 7/1985 (JP) .

* cited by examiner

(21) Appl. No.: **29/128,521**
(22) Filed: **Aug. 24, 2000**

Primary Examiner—Antoine Duval Davis
(74) *Attorney, Agent, or Firm*—Alston & Bird LLP

(51) **LOC (7) Cl.** **10-04**
(52) **U.S. Cl.** **D10/72**
(58) **Field of Search** D10/72; 33/755-770

(57) **CLAIM**

The ornamental design for a tape measure, as shown and described.

(56) **References Cited**

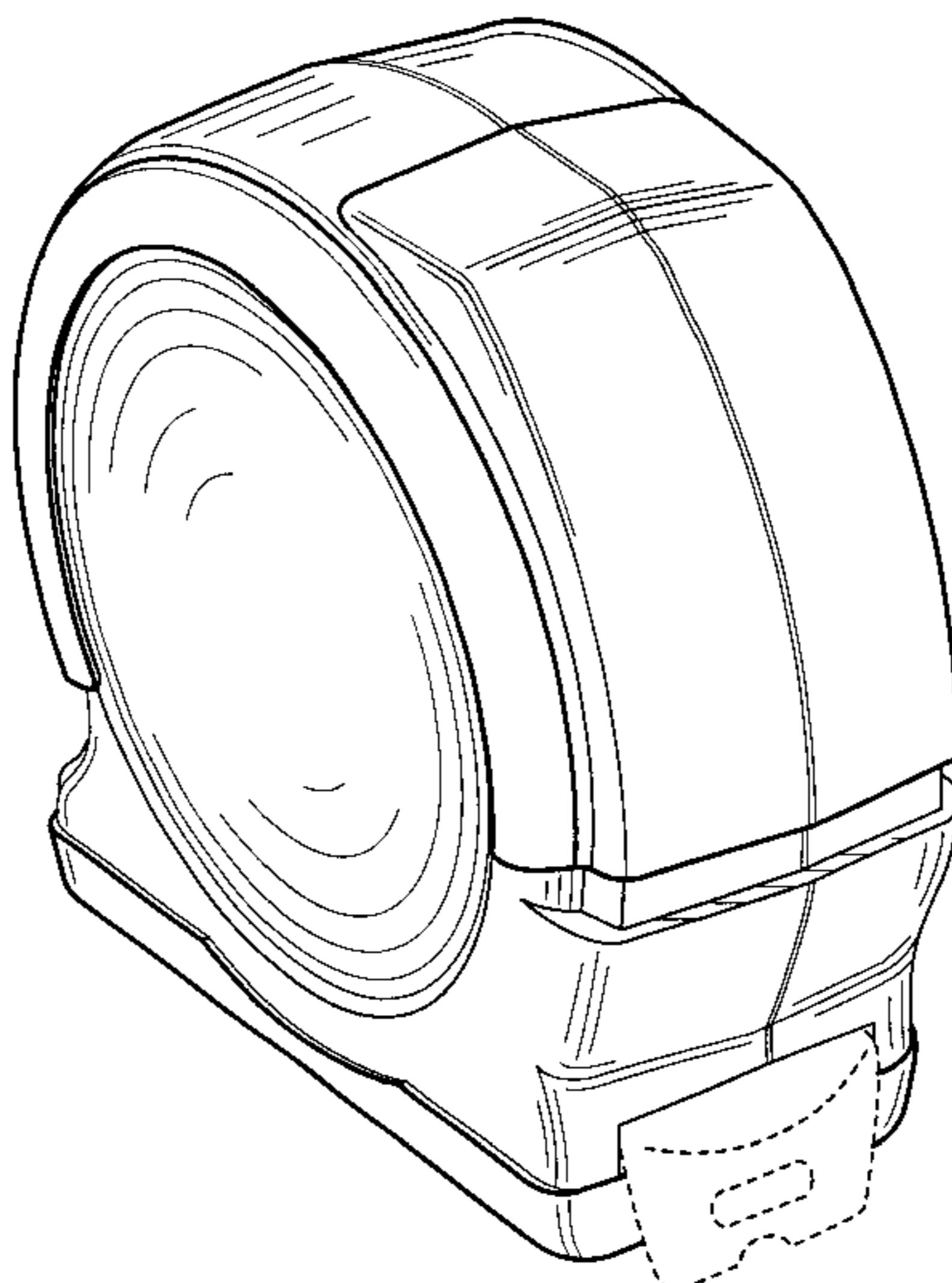
DESCRIPTION

U.S. PATENT DOCUMENTS

D. 342,687 12/1993 Kang .
D. 350,703 * 9/1994 Fifer D10/72
D. 375,269 11/1996 Wertheim et al. .
D. 379,771 6/1997 Hsu .
D. 419,081 * 1/2000 Evans, Jr. et al. D10/72
897,977 9/1908 Grant .
1,686,956 10/1928 Bull .
1,800,911 4/1931 Smith .
1,927,216 9/1933 Porter et al. .
2,575,354 11/1951 Mills .
2,728,143 12/1955 Buchet .
3,065,925 11/1962 Appleton .
3,375,590 4/1968 Quenot .
3,450,367 6/1969 Edgell .
3,689,004 9/1972 Brown et al. .
3,716,201 2/1973 West .
4,363,171 12/1982 Scandella .
4,527,334 7/1985 Jones et al. .
4,580,347 4/1986 McKnight .
4,663,854 5/1987 Miller et al. .

FIG. 1 is a perspective view of a tape measure showing a first embodiment of our new design;
FIG. 2 is a left side elevational view thereof;
FIG. 3 is a right side elevational view thereof;
FIG. 4 is a front elevational view thereof;
FIG. 5 is a rear elevational view thereof;
FIG. 6 is bottom plan view thereof;
FIG. 7 is a top plan view thereof;
FIG. 8 is a perspective view of a tape measure showing a second embodiment of our new design;
FIG. 9 is a left side elevational view thereof;
FIG. 10 is a right side elevational view thereof;
FIG. 11 is a front elevational view thereof;
FIG. 12 is a rear elevational view;
FIG. 13 is a bottom plan view thereof; and,
FIG. 14 is a top plan view thereof.
The broken line showing is for illustrative purposes only and forms no part of the claimed design.

1 Claim, 8 Drawing Sheets



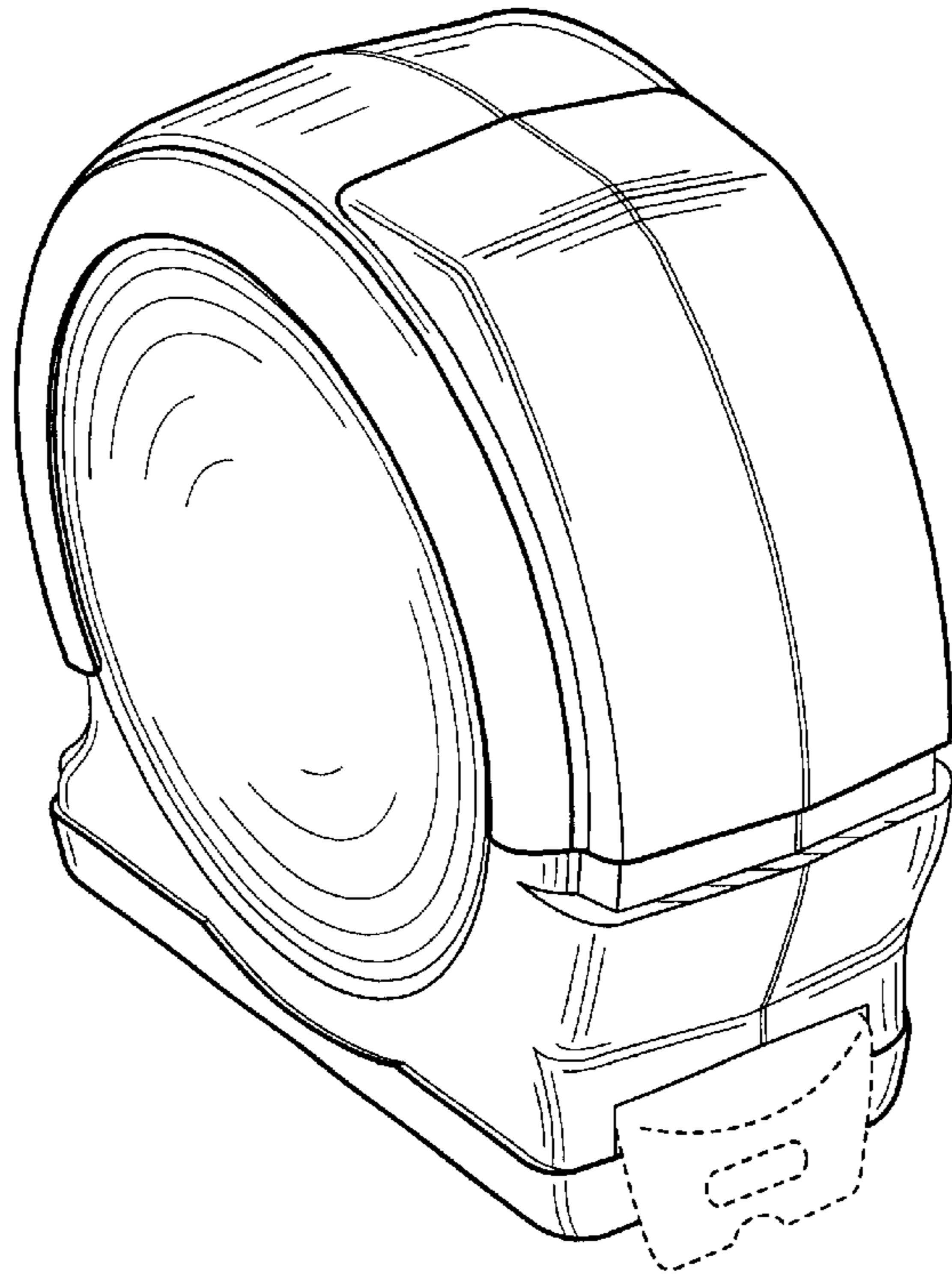


FIG. 1.

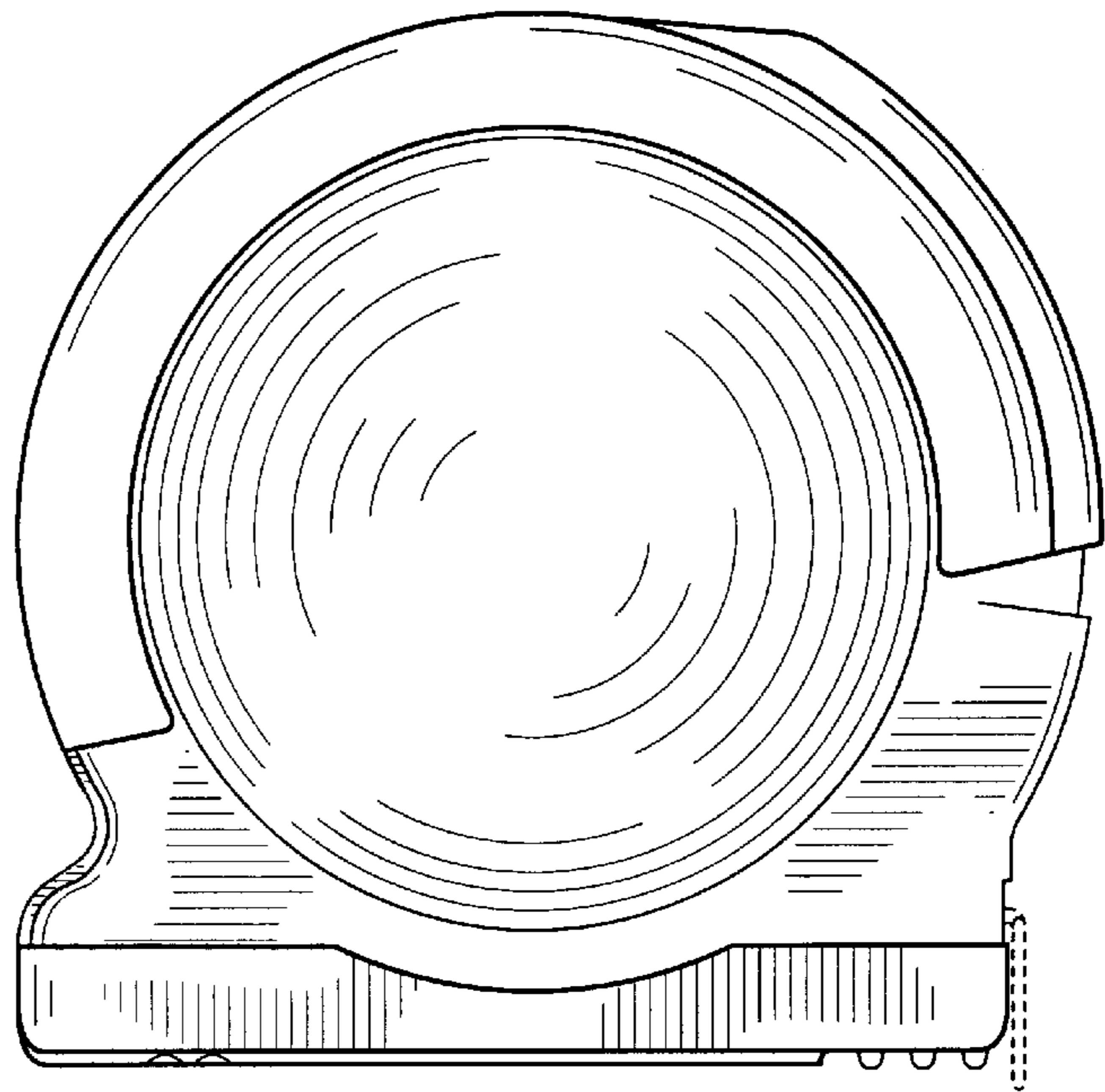


FIG. 2.

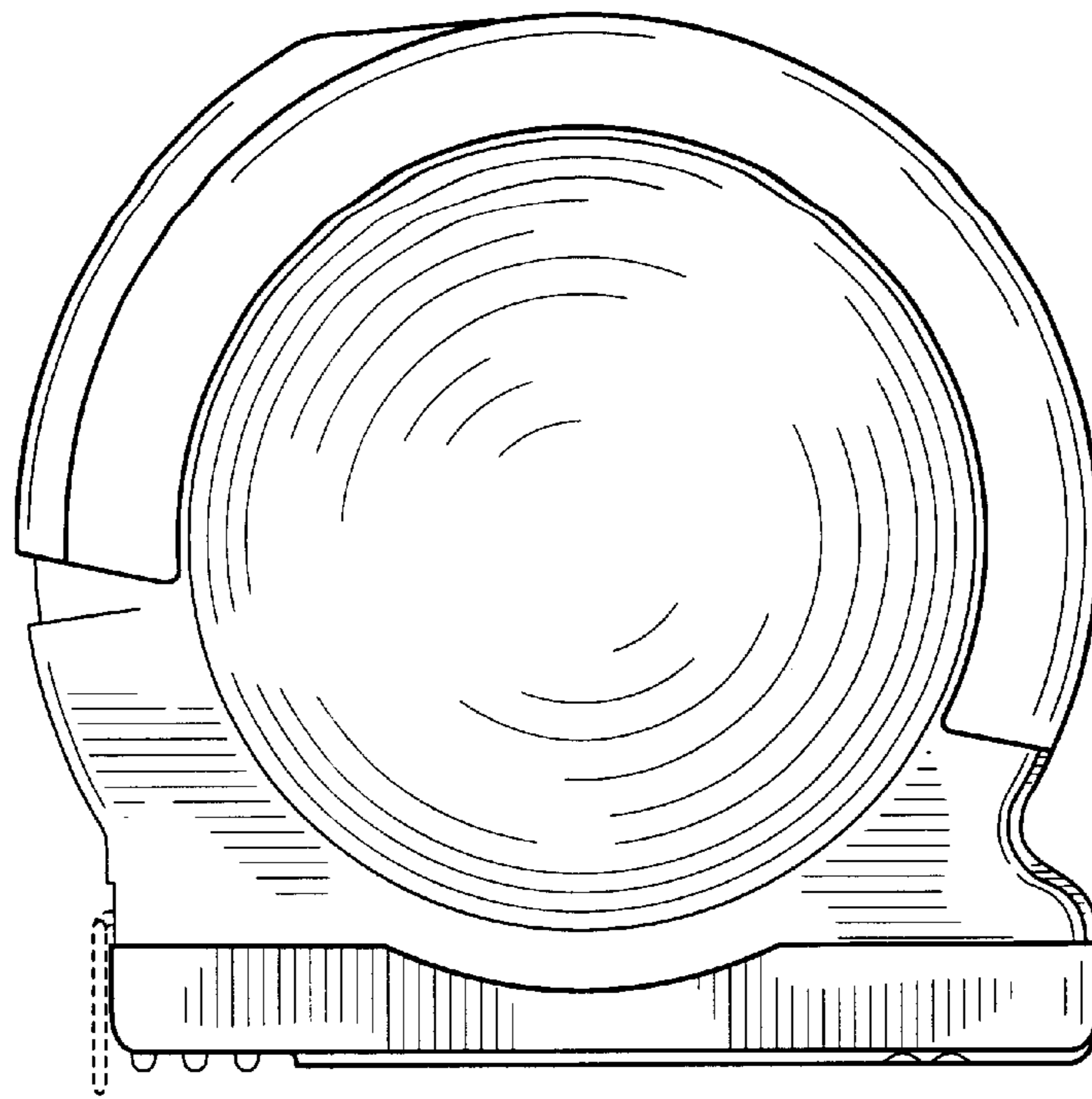


FIG. 3.

FIG. 4.

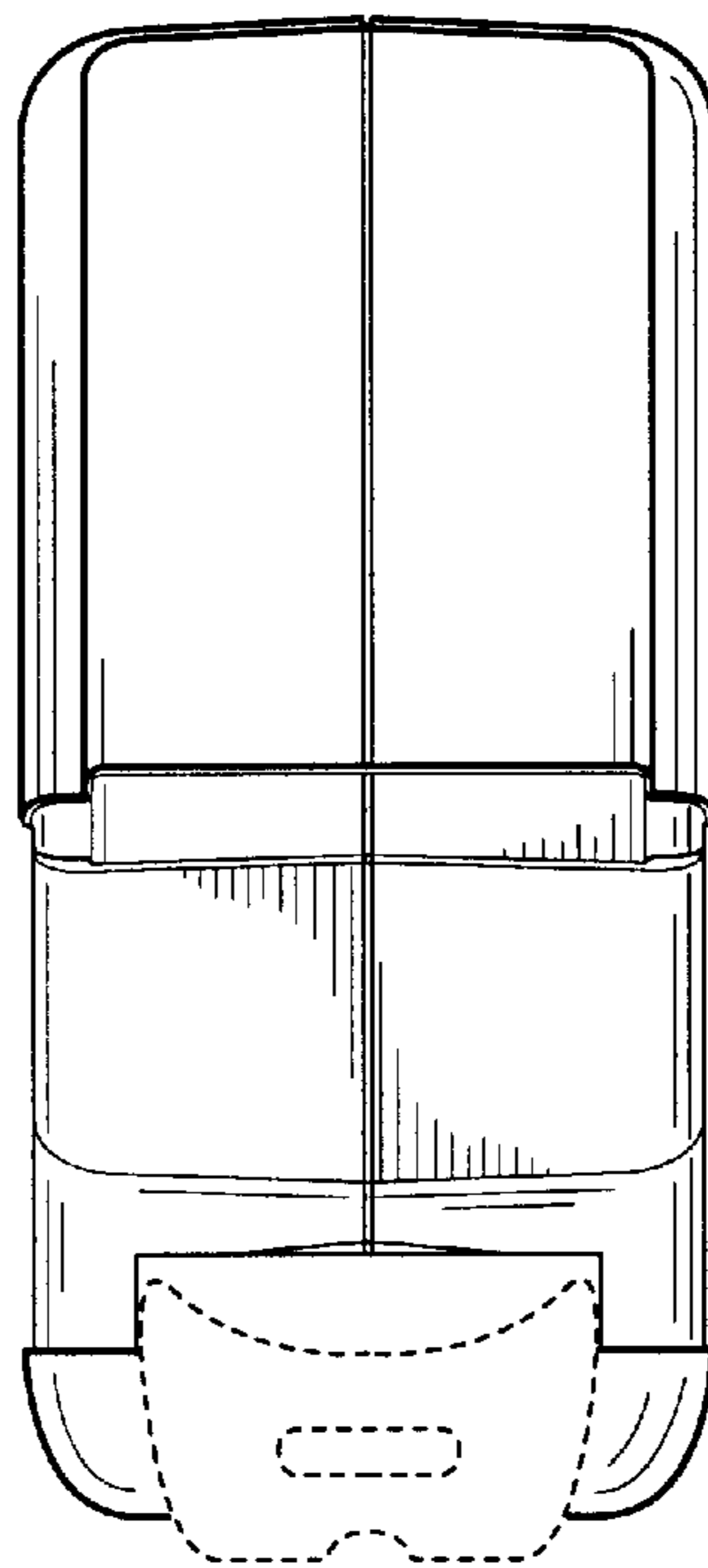


FIG. 5.

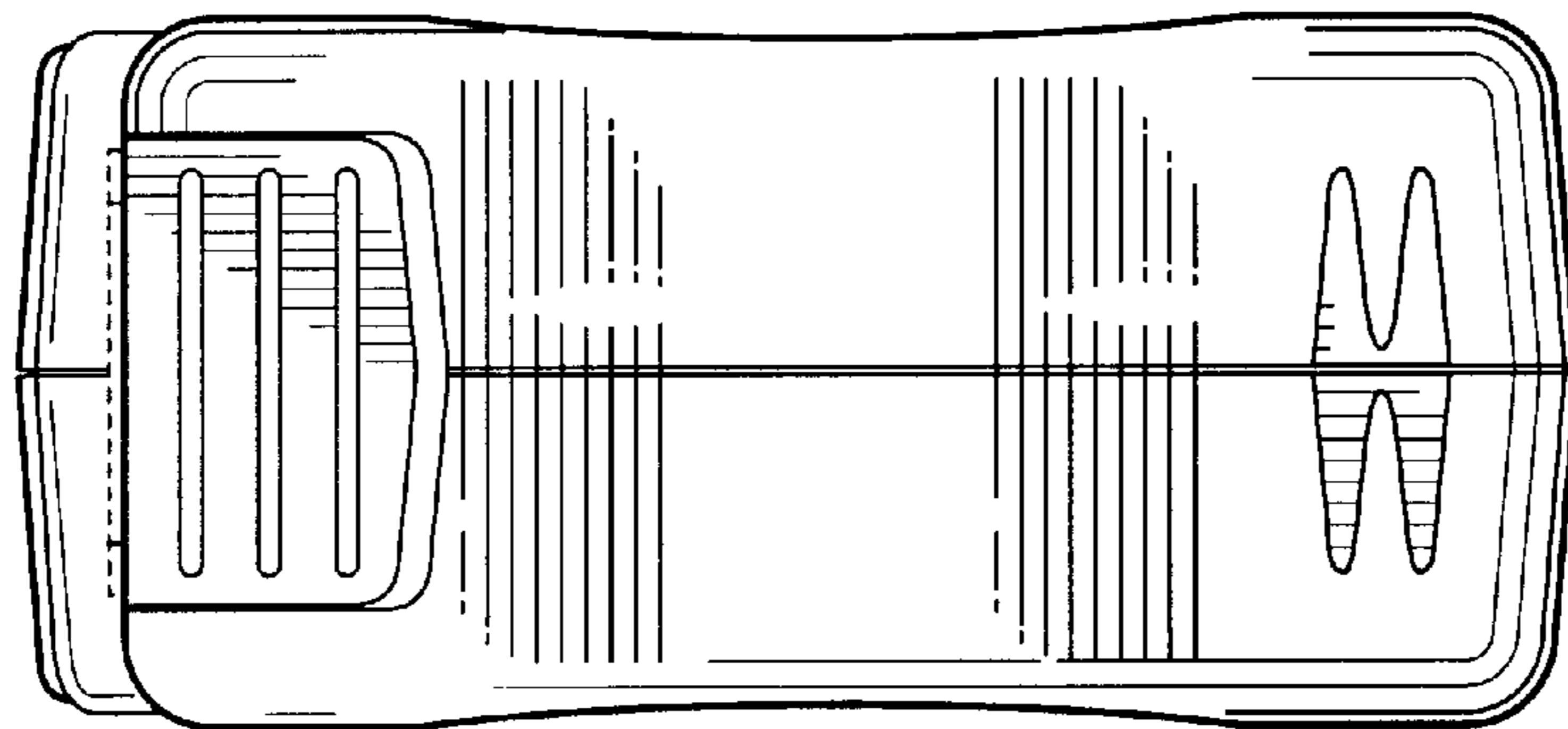
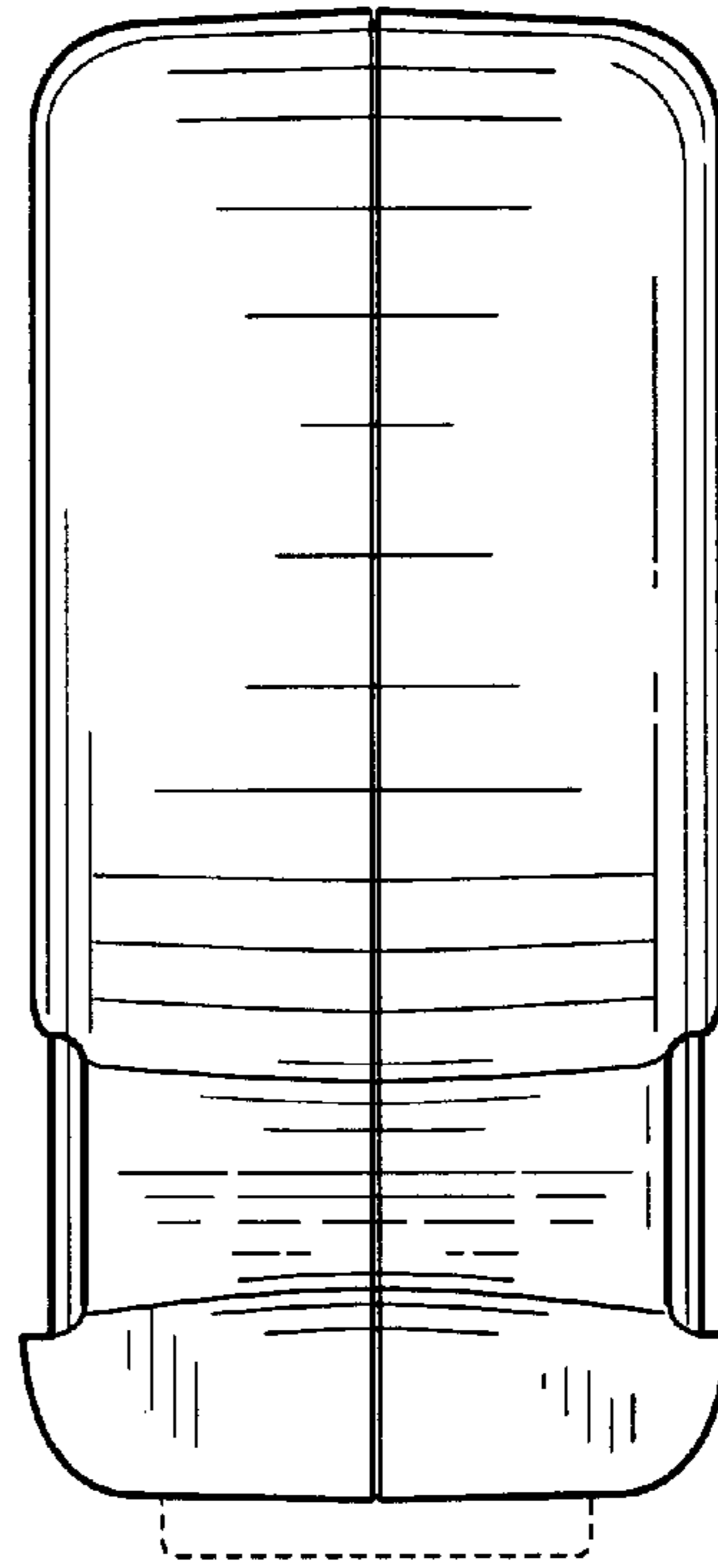


FIG. 6.

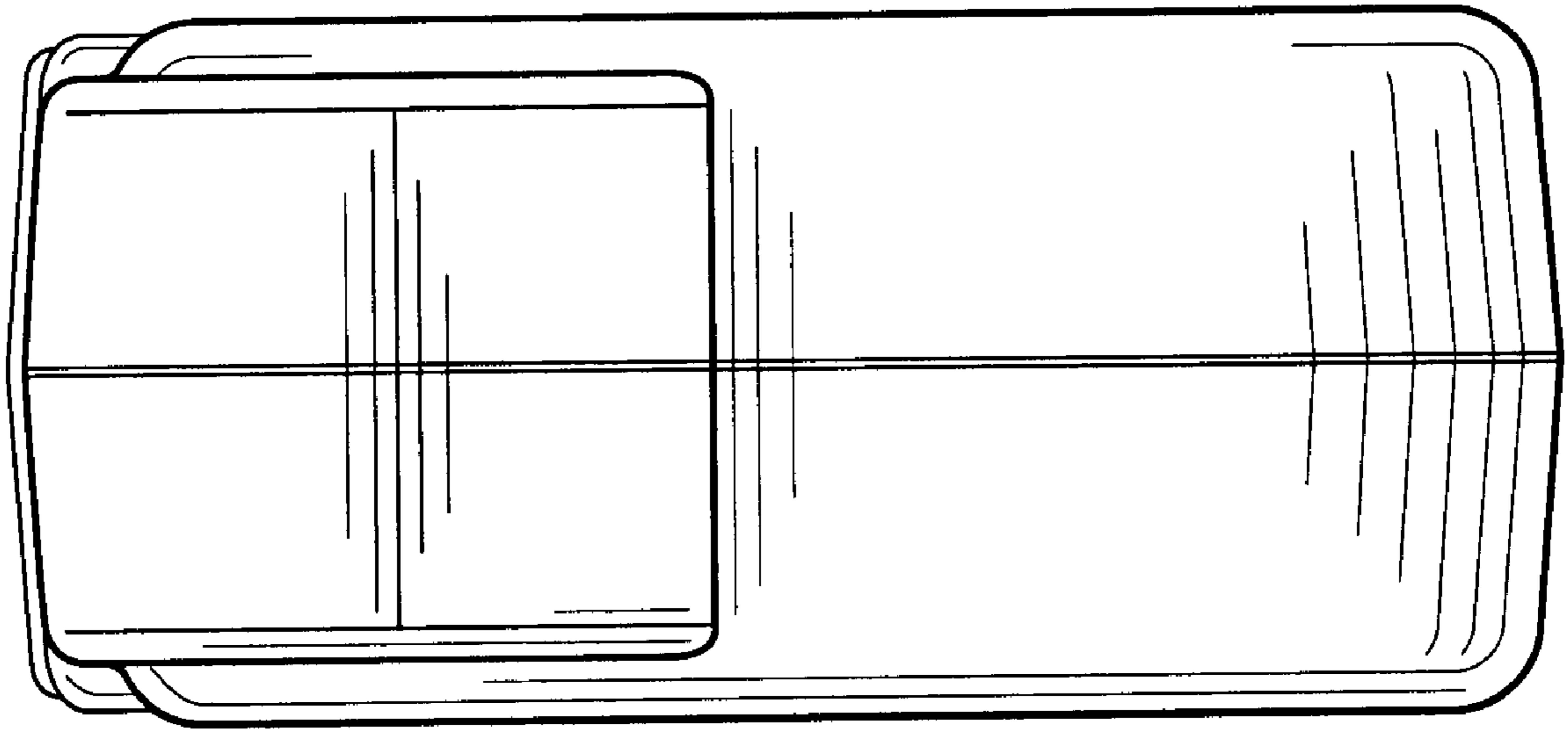


FIG. 7.

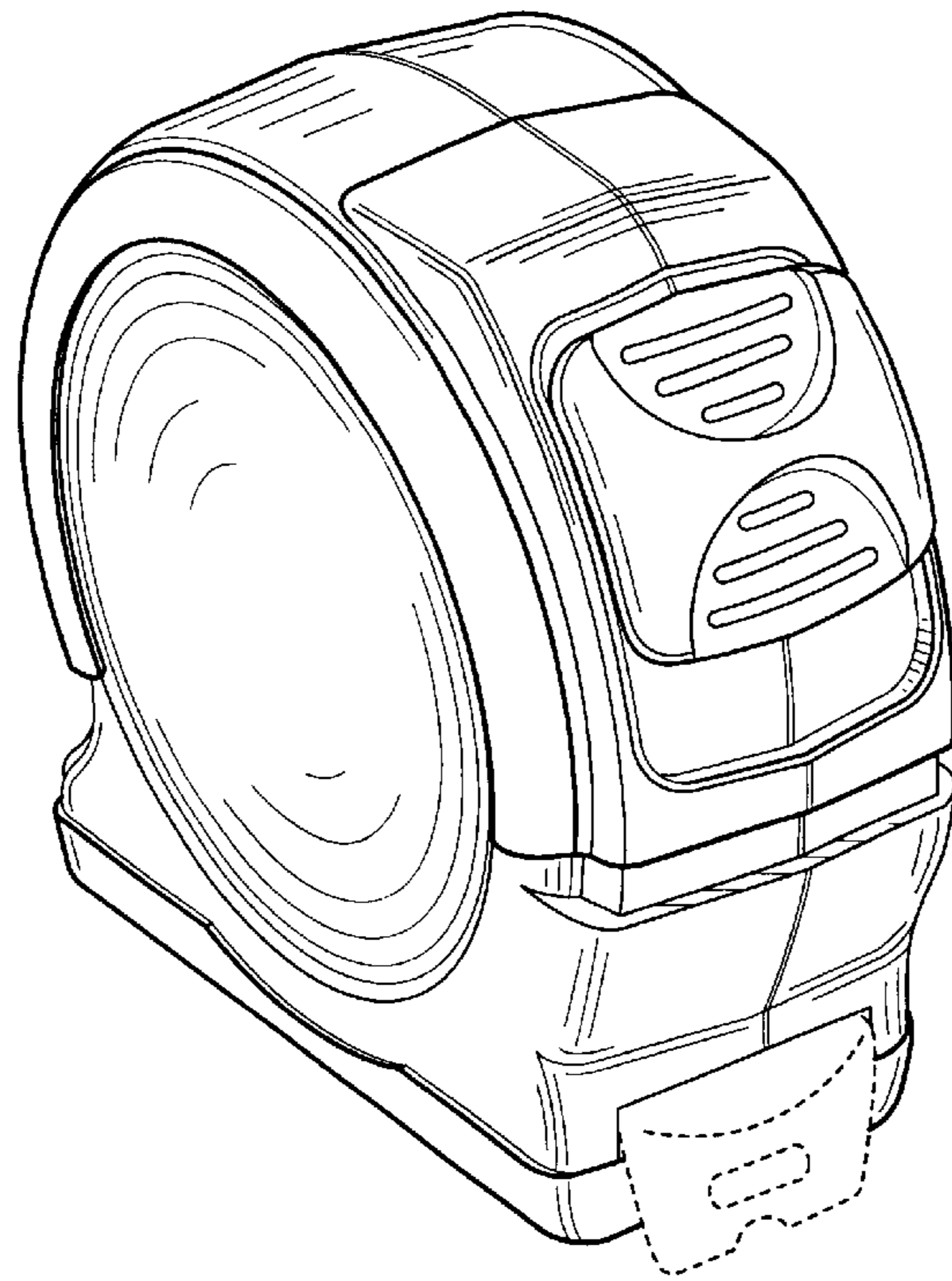


FIG. 8.

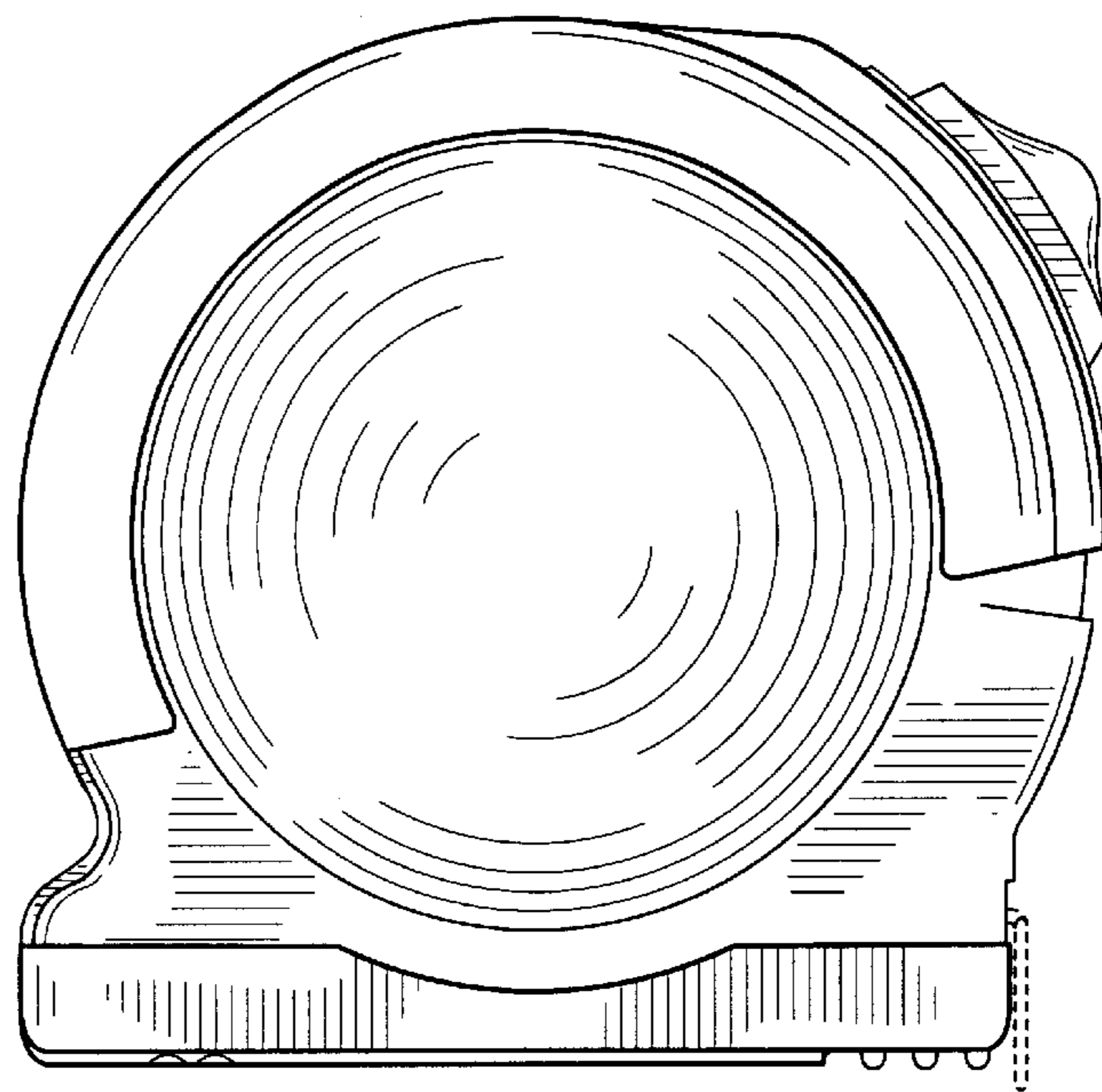


FIG. 9.

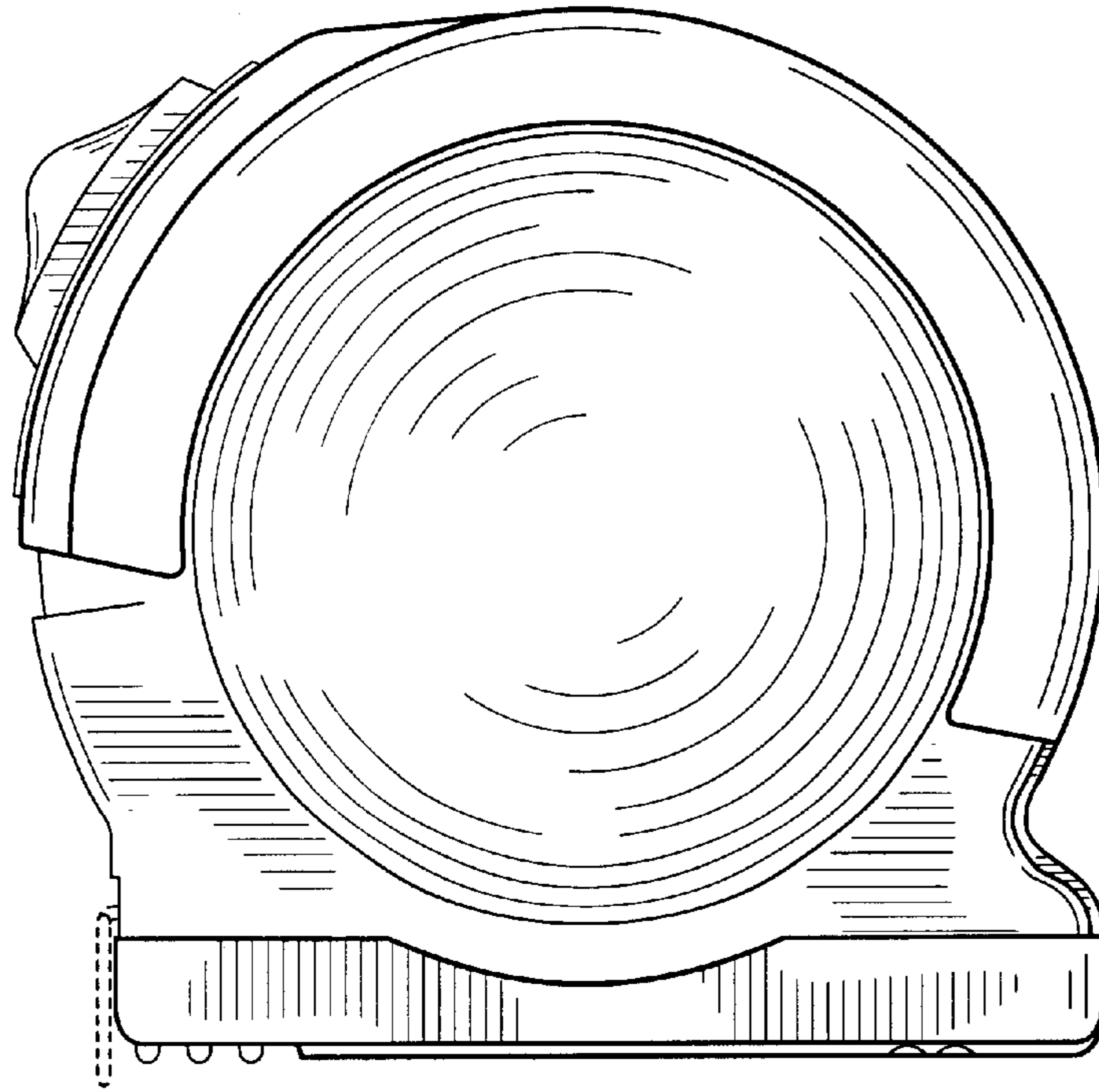


FIG. 10.

FIG. 11.

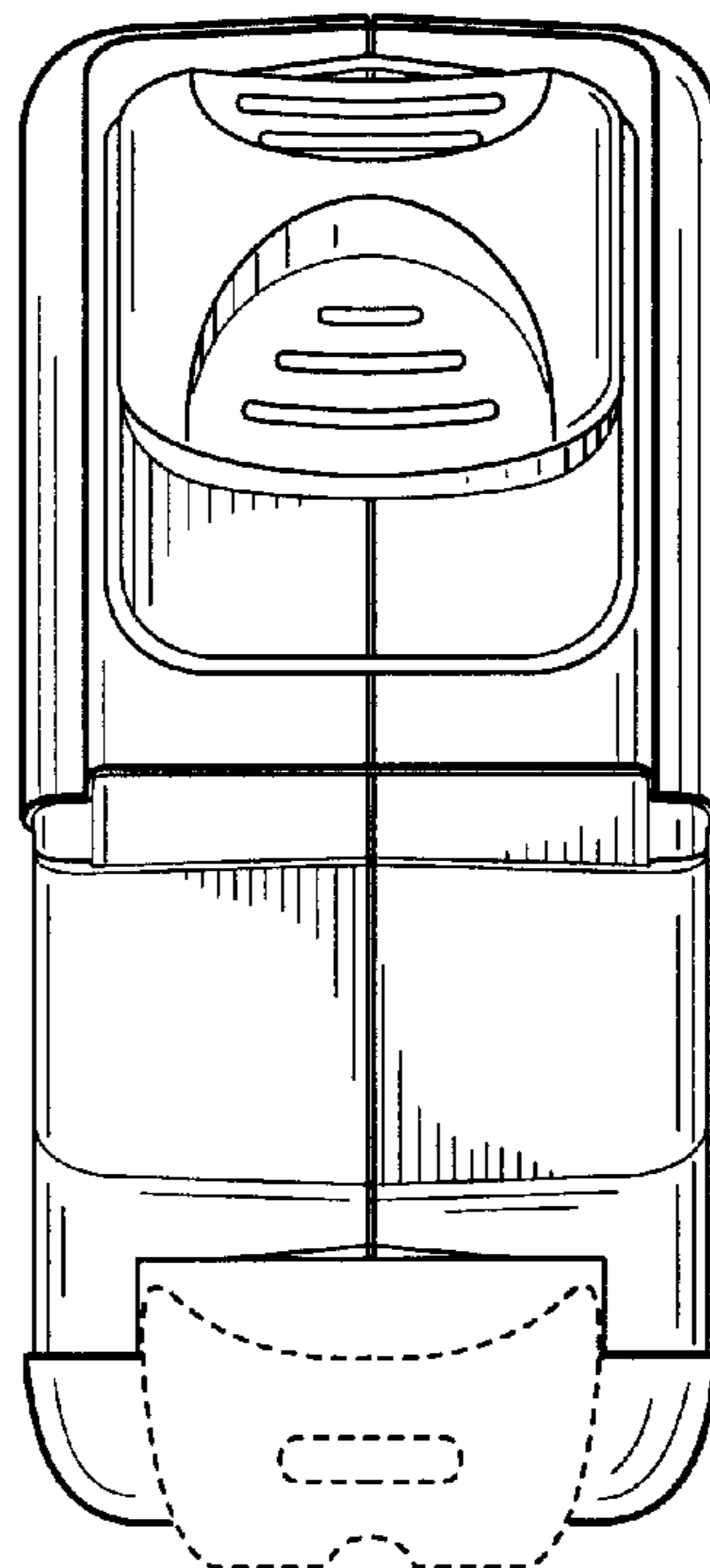


FIG. 12.

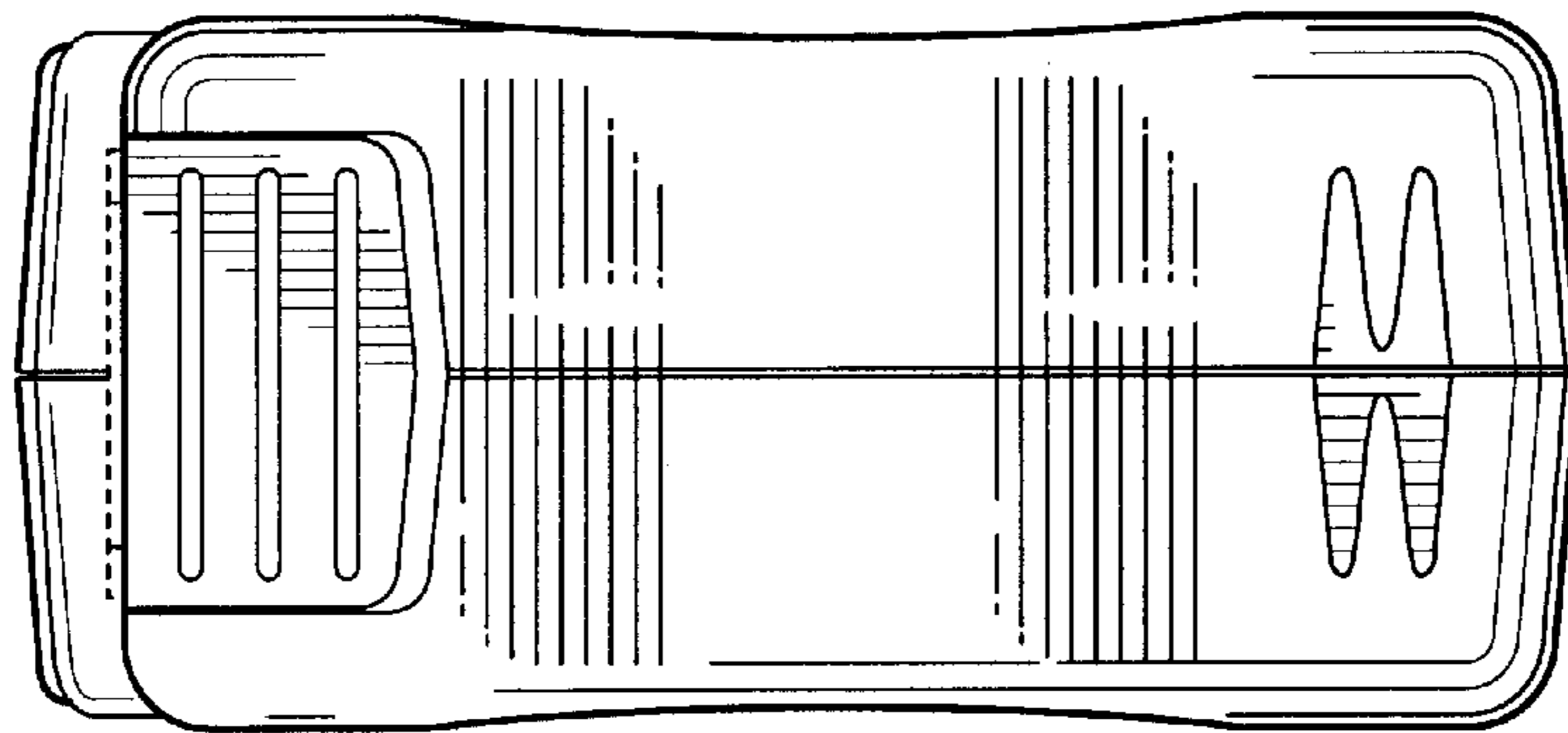
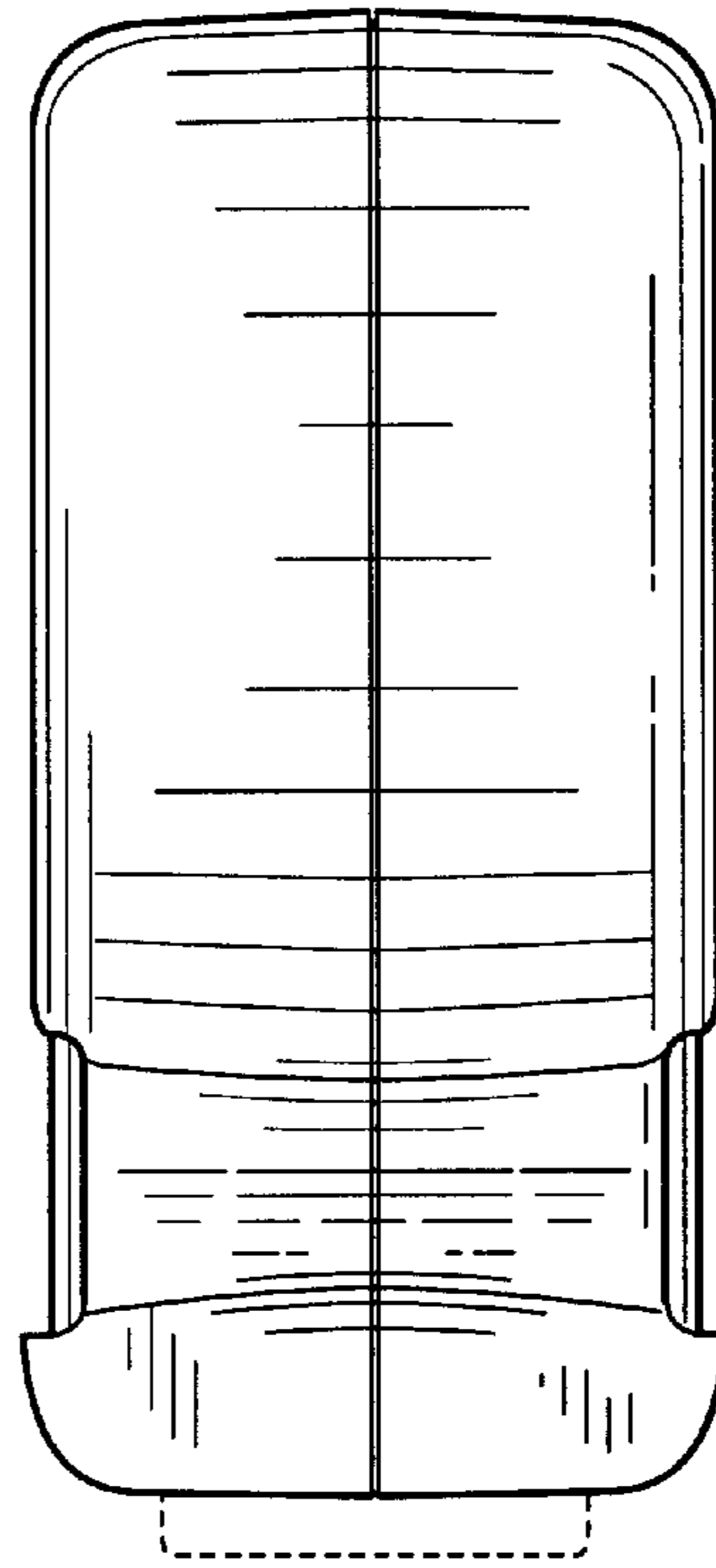


FIG. 13.

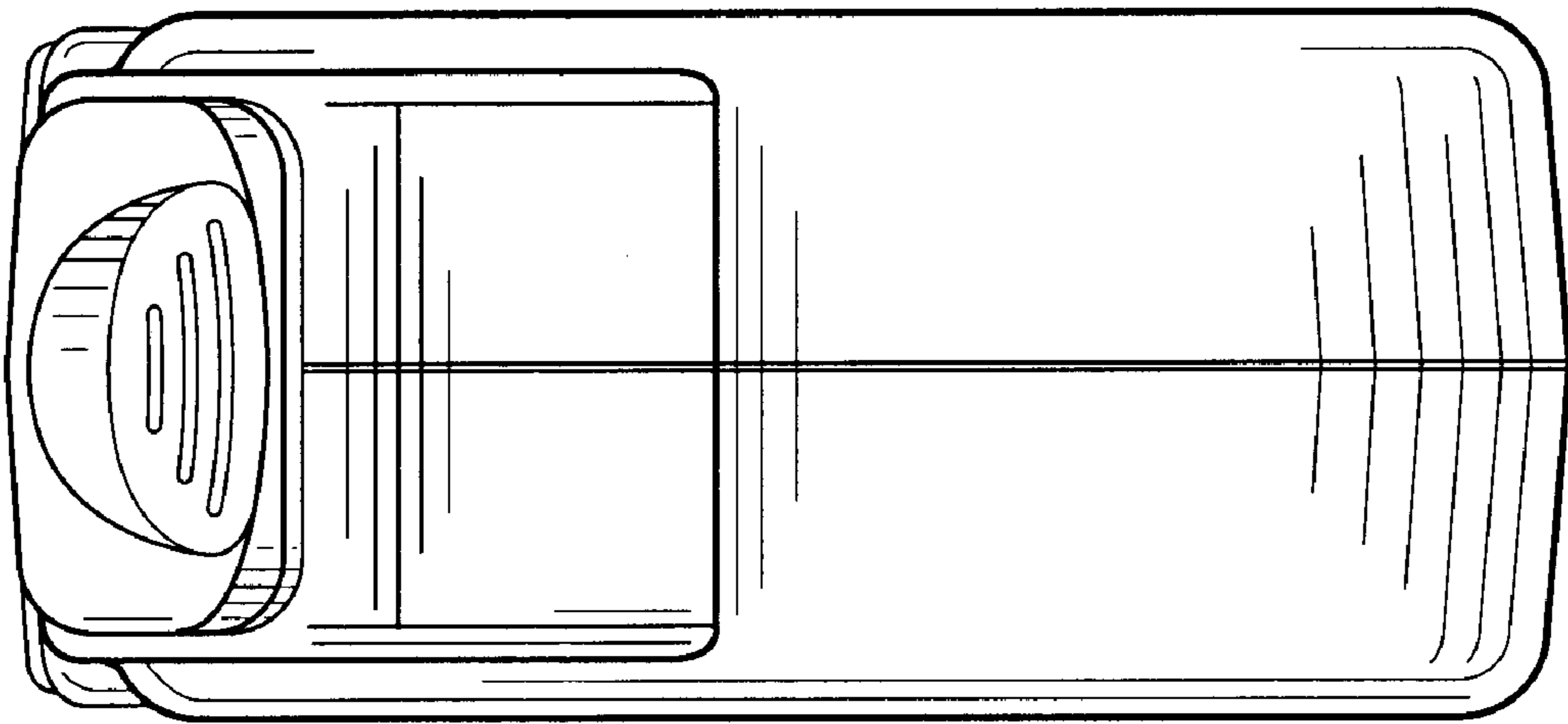


FIG. 14.

UNITED STATES PATENT AND TRADEMARK OFFICE
CERTIFICATE OF CORRECTION

PATENT NO. : Des 441,309 S
DATED : May 1, 2001
INVENTOR(S) : Evans, Jr. et al.

Page 1 of 1

It is certified that error appears in the above-identified patent and that said Letters Patent is hereby corrected as shown below:

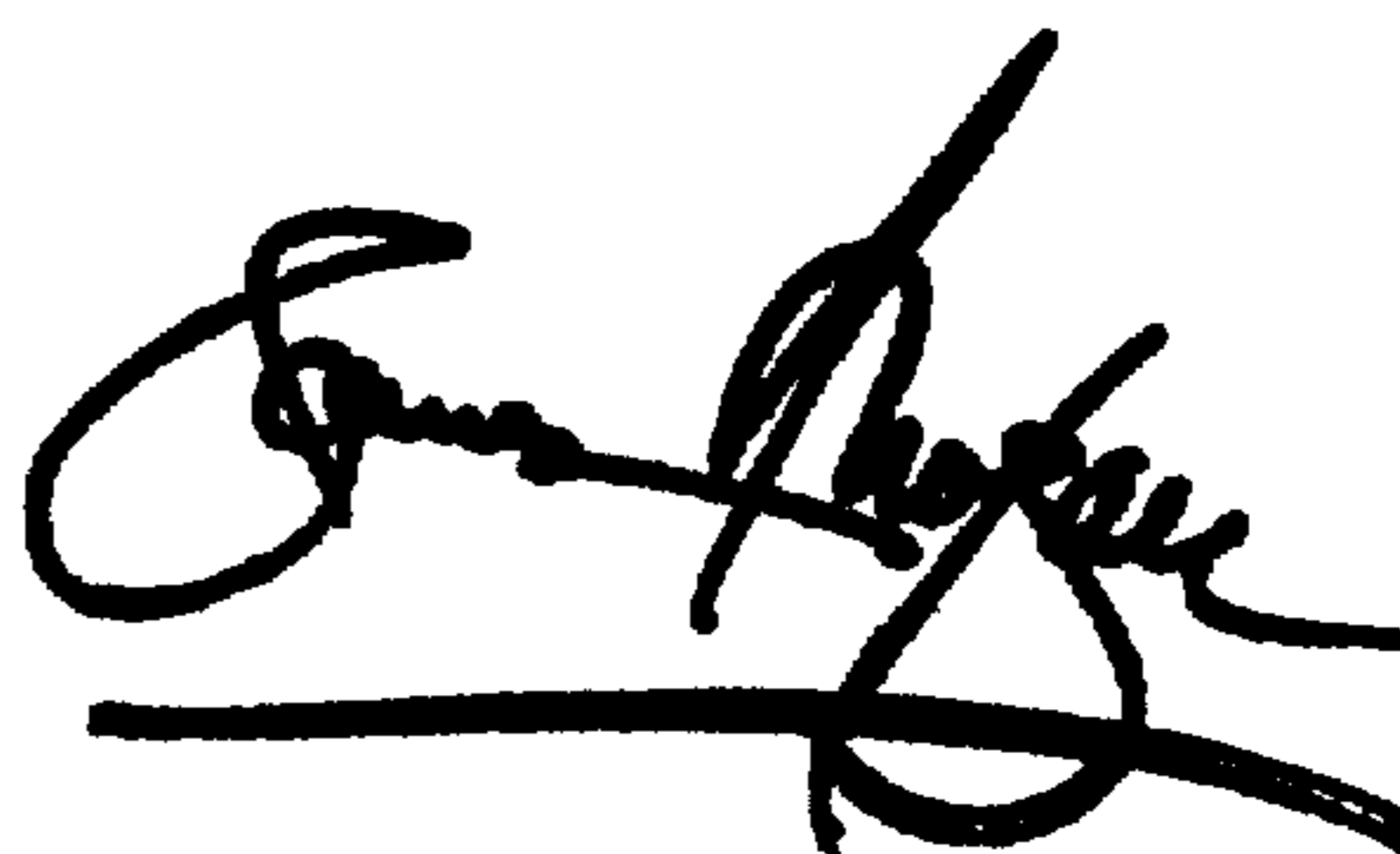
Title page,

Drawings, line 9, "pespective" should read -- perspective --.

Signed and Sealed this

Twenty-fifth Day of December, 2001

Attest:



Attesting Officer

JAMES E. ROGAN
Director of the United States Patent and Trademark Office