



US00D441307S

(12) **United States Design Patent**
Kurmlavage

(10) **Patent No.:** **US D441,307 S**

(45) **Date of Patent:** **** May 1, 2001**

(54) **ROLLER GRILL MONITORING DEVICE**

4,633,772 * 1/1987 Bowden et al. 99/344 X

(75) Inventor: **Michael M. Kurmlavage**, Lansdowne, PA (US)

* cited by examiner

(73) Assignee: **Spirit Specialty Solutions, Inc.**, Lansdowne, PA (US)

Primary Examiner—Antoine Duval Davis
(74) *Attorney, Agent, or Firm*—Smith Patent Office

(**) Term: **14 Years**

(57) **CLAIM**

The ornamental design for a roller grill monitoring device, as shown and described.

(21) Appl. No.: **29/127,846**

DESCRIPTION

(22) Filed: **Aug. 15, 2000**

Related U.S. Application Data

(63) Continuation of application No. 09/280,815, filed on Mar. 30, 1999, now Pat. No. 6,101,927.

FIG. 1 is a perspective view of a roller grill monitoring device having a weighted or widened base according to an embodiment of the present invention;

FIG. 2 is a front view of the roller grill monitoring device showing the clock face and signage area according to the embodiment of FIG. 1;

(51) **LOC (7) Cl.** **10-04**

(52) **U.S. Cl.** **D10/57**

(58) **Field of Search** D10/57; 99/342, 99/343, 344; 374/141, 142, 208

FIG. 3 is a rear view of the same roller grill monitoring device as shown in FIG. 1;

FIG. 4 is a side view of the grill monitoring device according to the embodiment of FIG. 1, illustrating the dial detached from the body; and,

FIG. 5 is a top view of the grill monitoring device according to the embodiment of FIG. 1.

(56) **References Cited**

U.S. PATENT DOCUMENTS

1,272,318 * 7/1918 Rodgers 99/343
2,344,853 * 3/1944 Haes 99/342 X

1 Claim, 2 Drawing Sheets

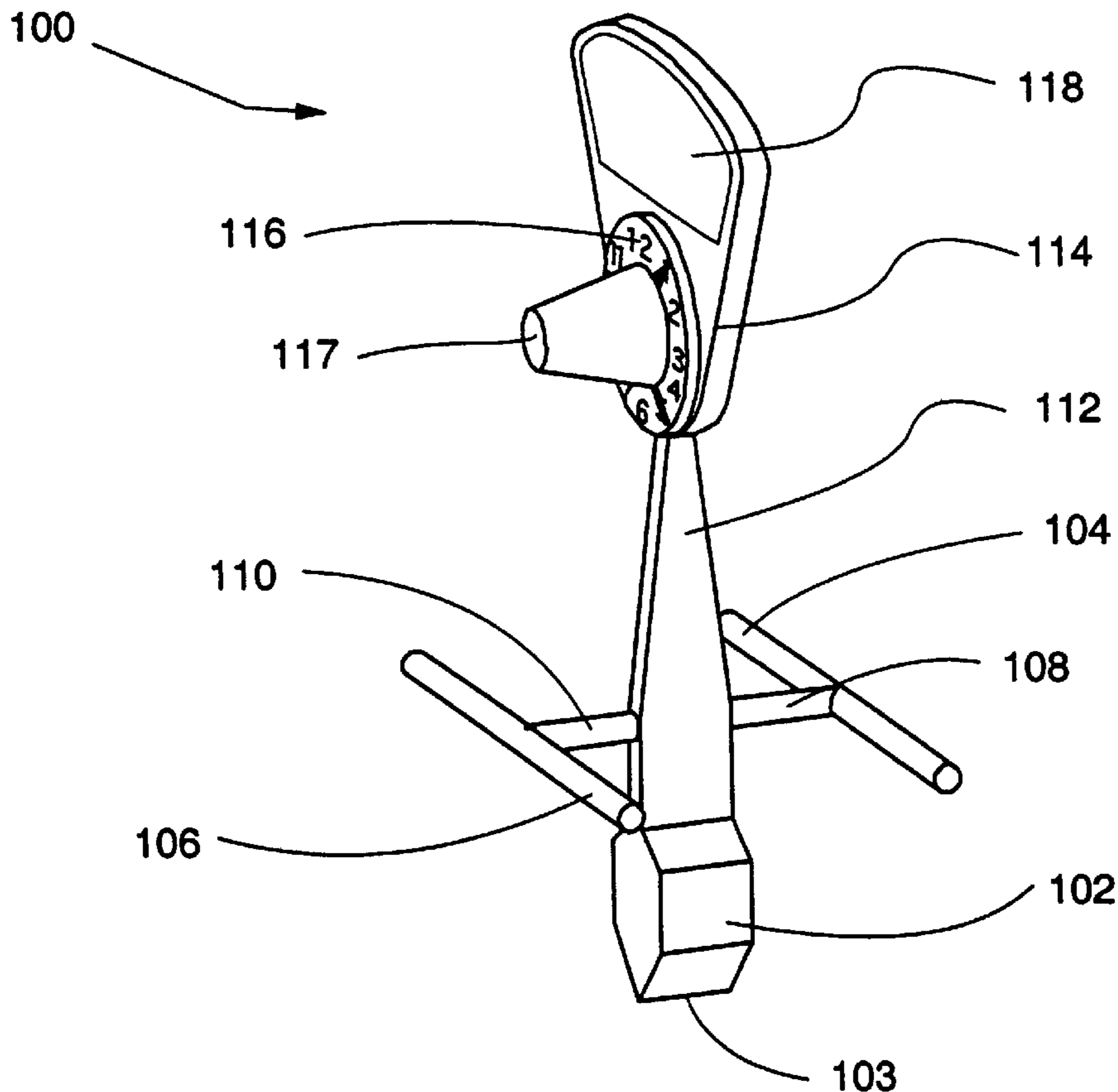
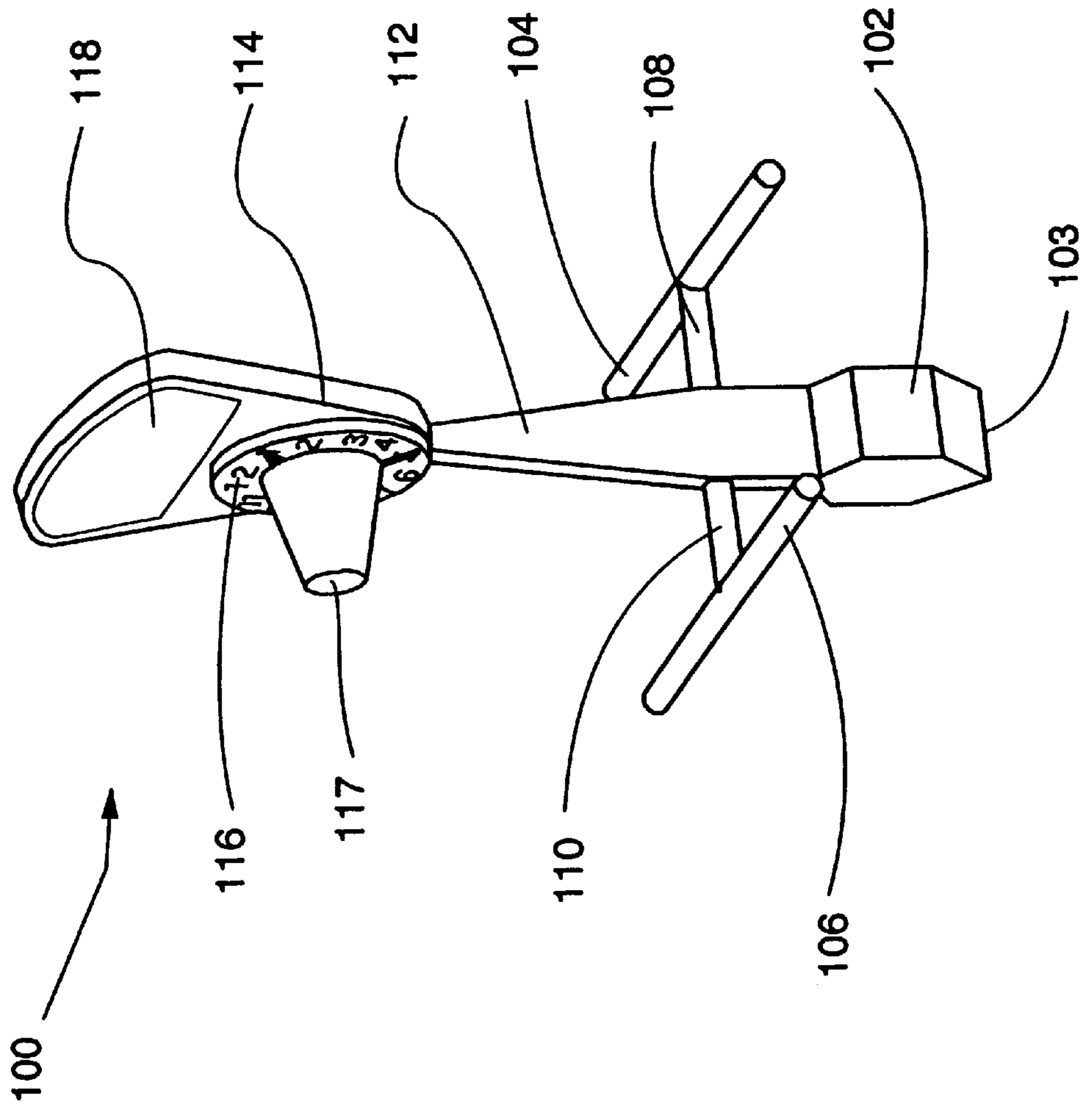


FIG. 1



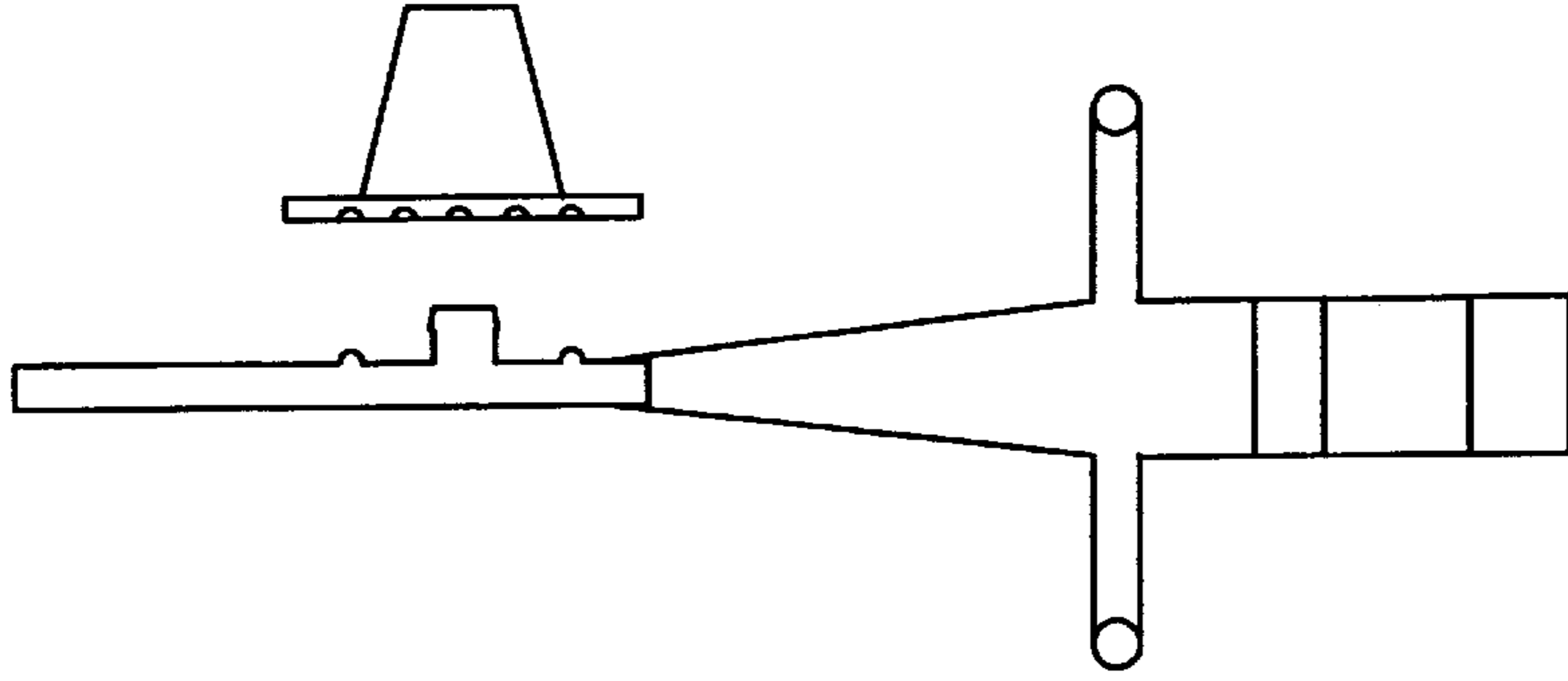


FIG. 4

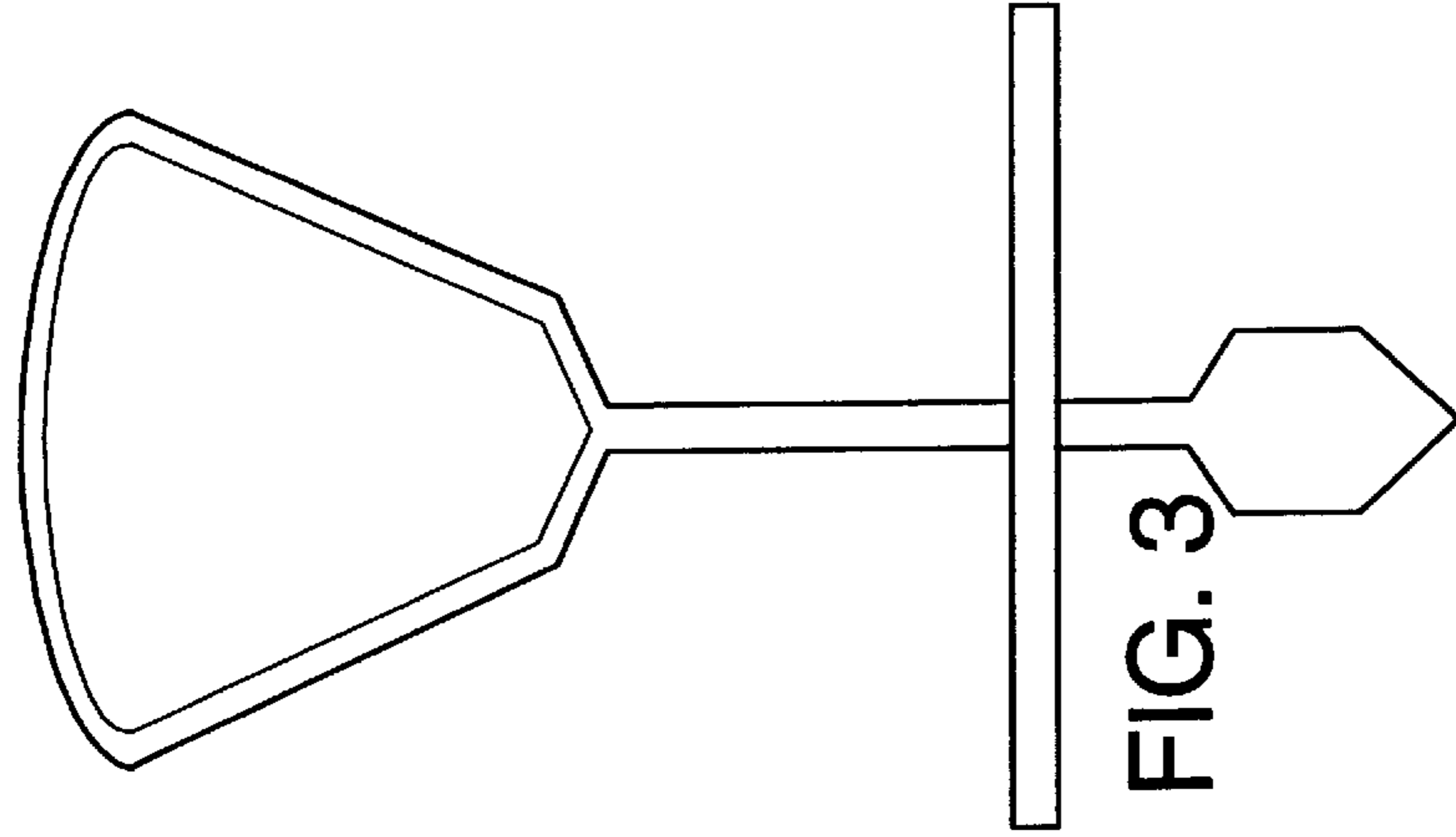


FIG. 3

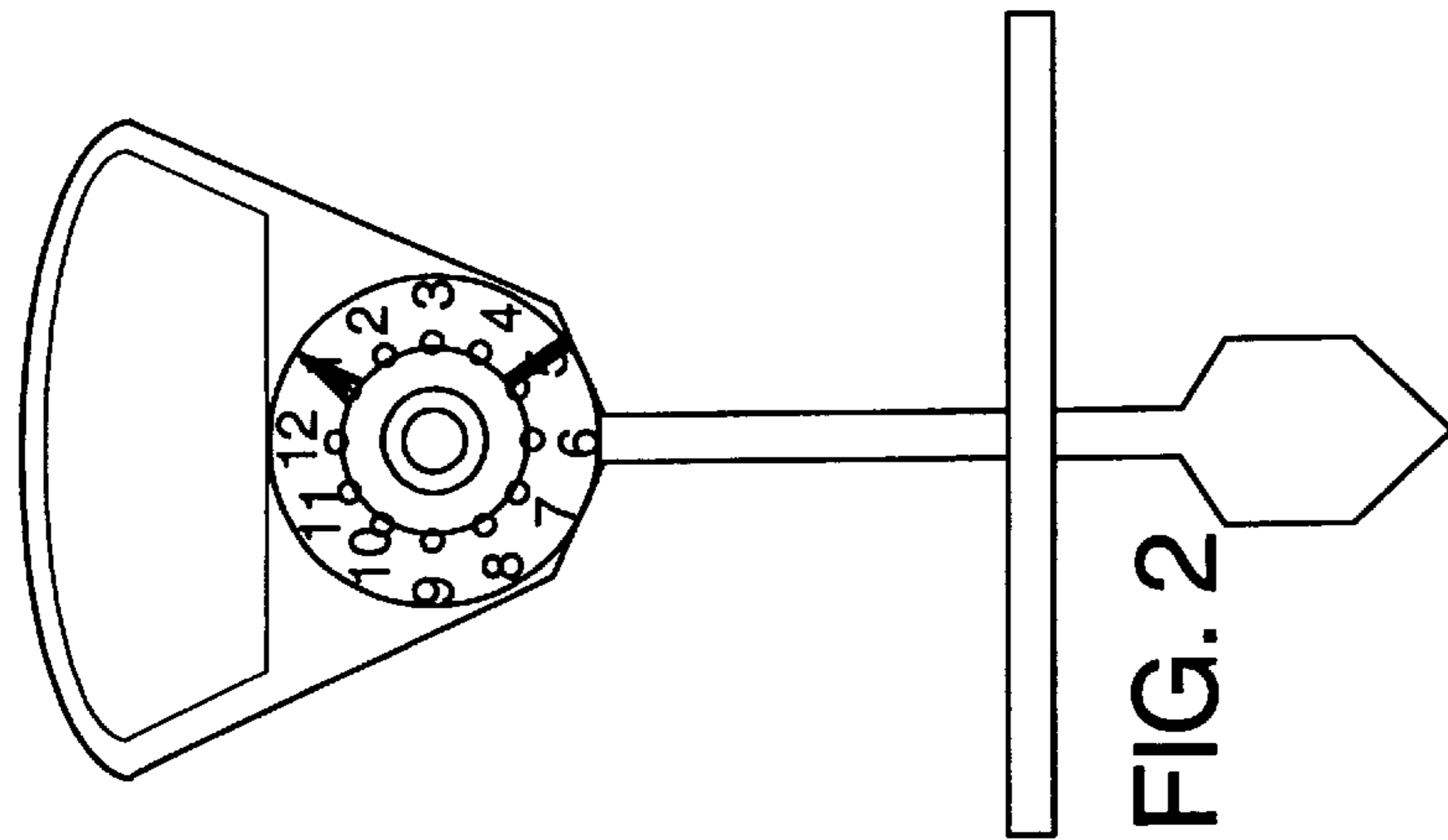


FIG. 2

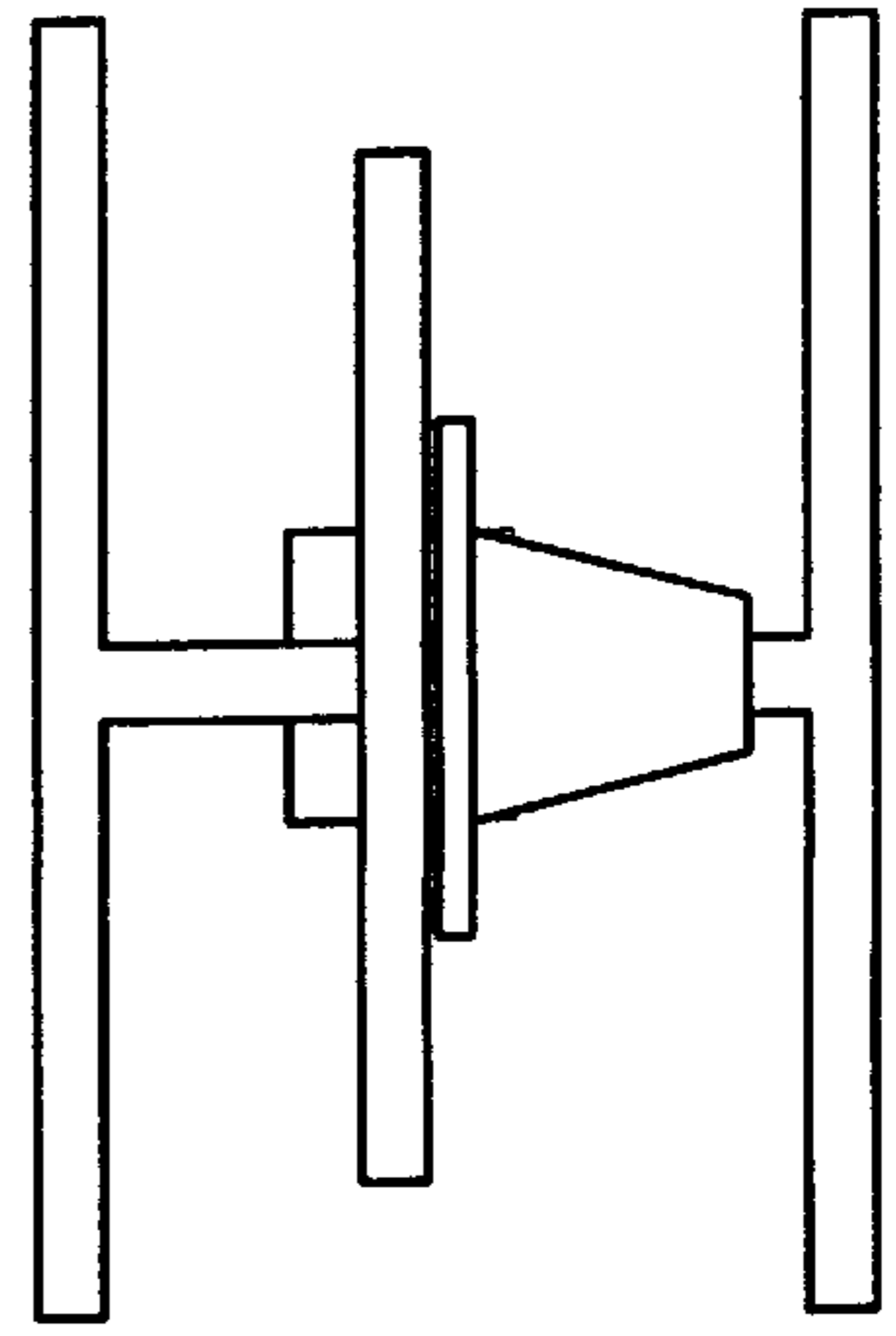


FIG. 5