



US00D441306S

(12) **United States Design Patent**
Buccellati

(10) **Patent No.:** **US D441,306 S**

(45) **Date of Patent:** **** May 1, 2001**

(54) **WATCH**

OTHER PUBLICATIONS

(76) **Inventor:** **Gianmaria Buccellati**, Via Lodovico Mancini, 1, 20129 Milano (IT)

Jeweler's Circular-Keystone-May 1977-p. 91.*

(**) **Term:** **14 Years**

* cited by examiner

(21) **Appl. No.:** **29/121,185**

Primary Examiner—Nelson C. Holtje

(22) **Filed:** **Mar. 30, 2000**

(74) *Attorney, Agent, or Firm*—Hedman & Costigan, P.C.

(30) **Foreign Application Priority Data**

(57) **CLAIM**

Sep. 30, 1999 (XH) DM/049 648

The ornamental design for a watch, as shown and described.

(51) **LOC (7) Cl.** **10-02**

DESCRIPTION

(52) **U.S. Cl.** **D10/32; D10/39**

FIG. 1 is a front view of the watch according to my design;

(58) **Field of Search** D10/1-40, 122-132;

FIG. 2 is a back view of my design;

D11/3-25; 63/1.1, 3, 5, 11; 368/276-277, 280-282, 285

FIG. 3 is a right side view of my design as shown in FIG. 1;

(56) **References Cited**

FIG. 4 is a left side view of my design as shown in FIG. 1; and,

U.S. PATENT DOCUMENTS

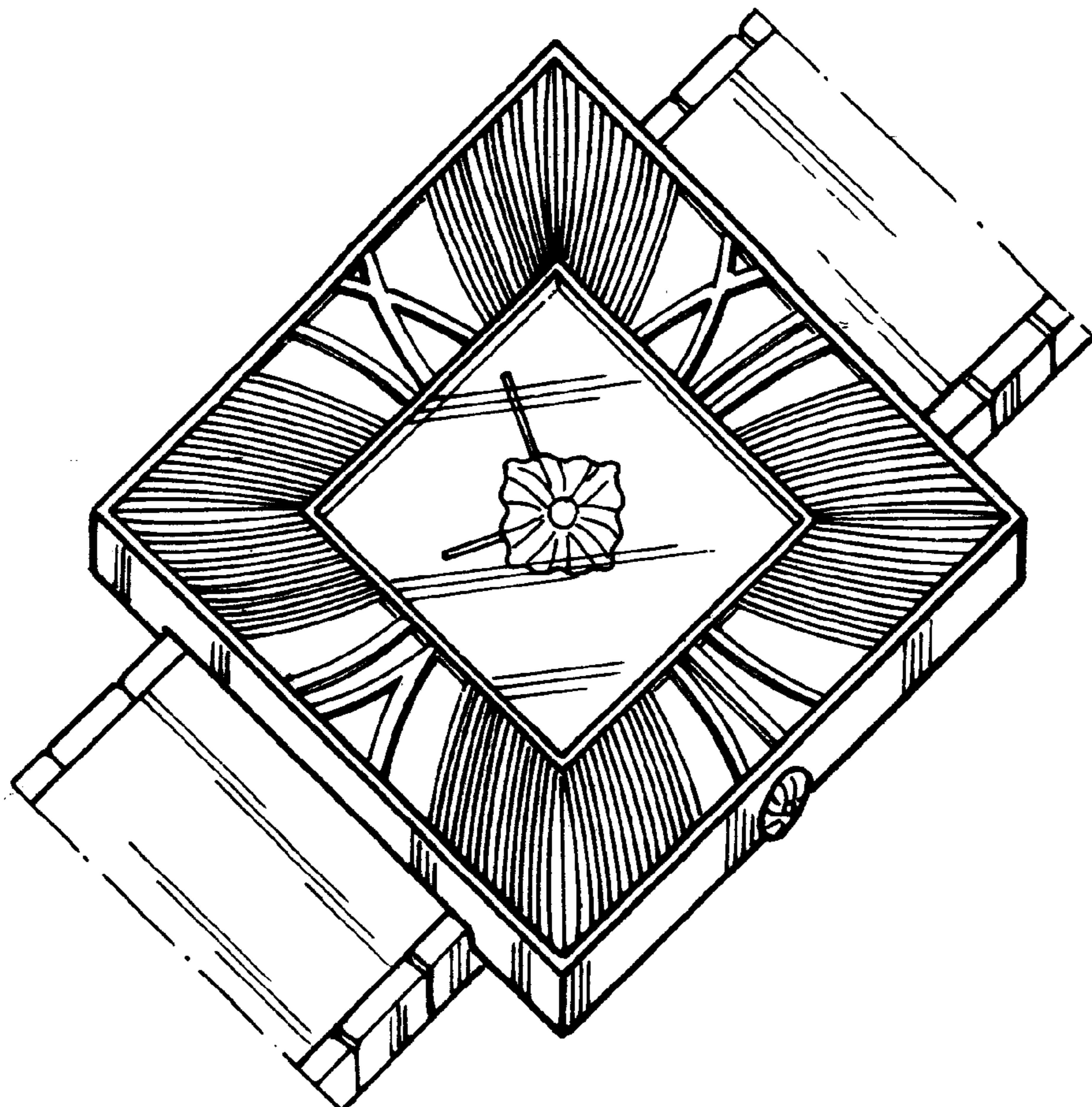
FIG. 5 is a top side view of my design which is the same the bottom side view.

2,446,065 * 7/1948 Starke .

FOREIGN PATENT DOCUMENTS

027368 * 9/1993 (WO) .

1 Claim, 2 Drawing Sheets



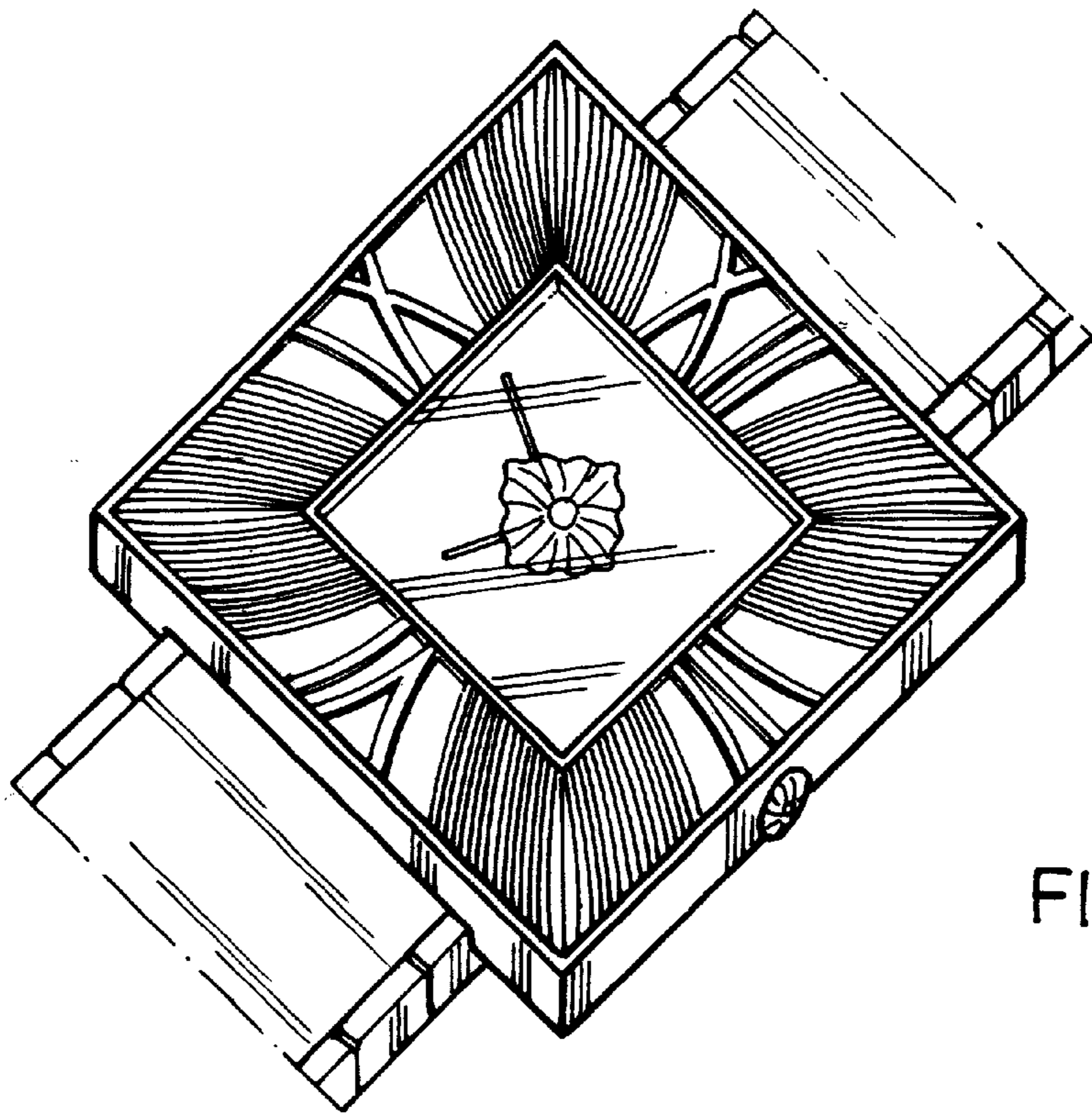


FIG. 1

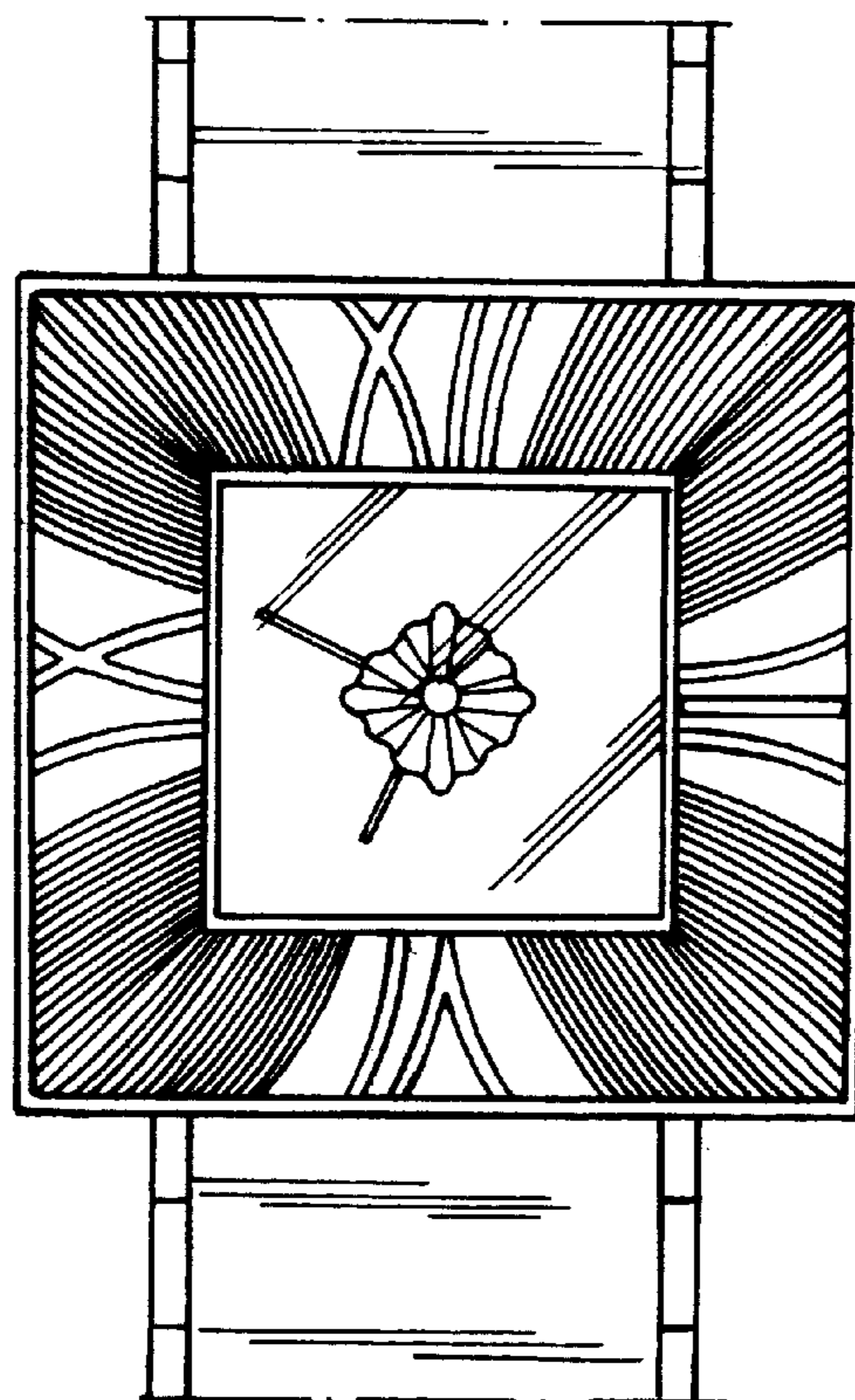


FIG. 2

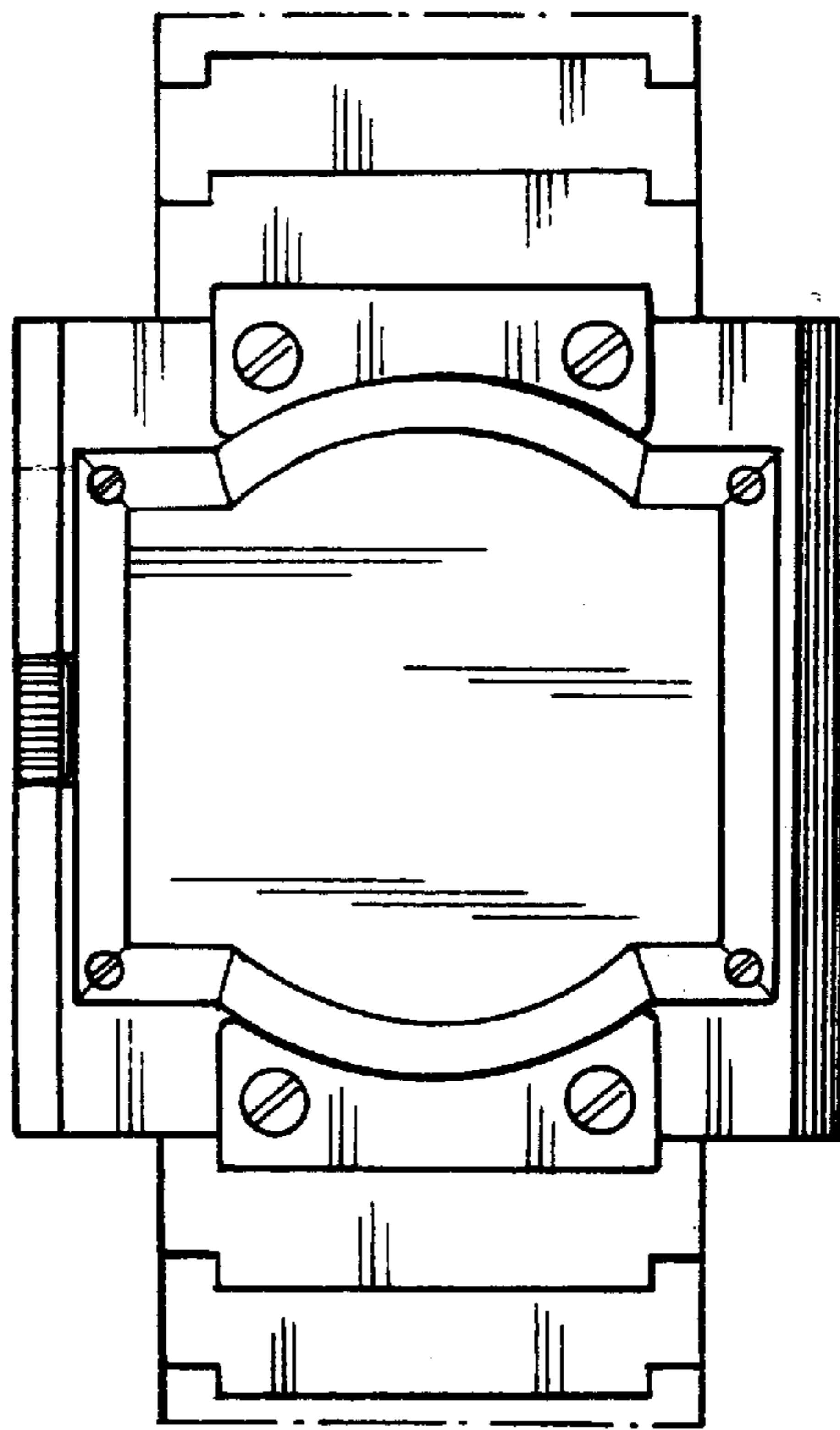


FIG. 3

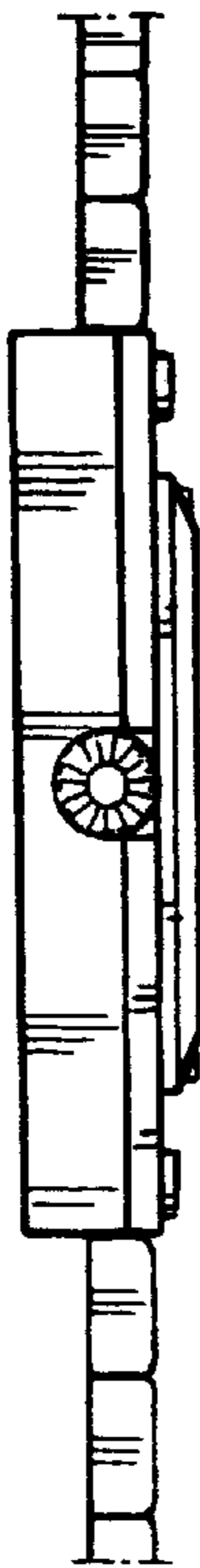


FIG. 4

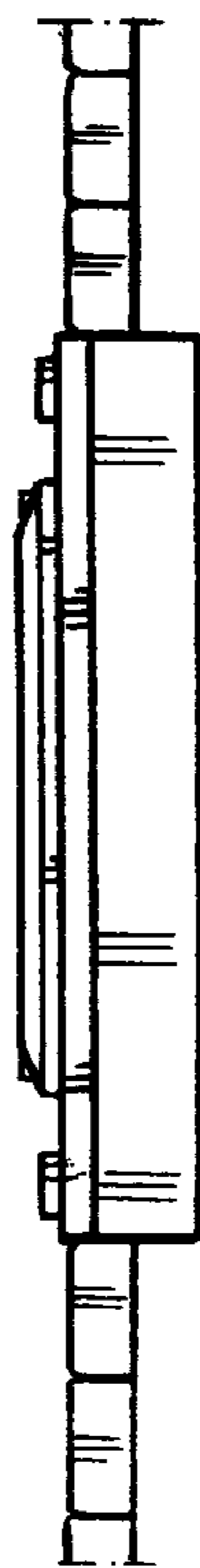


FIG. 5