



US00D441300S

(12) **United States Design Patent**
Chiang

(10) **Patent No.:** **US D441,300 S**

(45) **Date of Patent:** **** May 1, 2001**

(54) **MUSIC INSTRUMENT TYPE CLOCK**

(76) **Inventor:** **Kuo-Chin Chiang**, 58, Ma Yuan West St., Taichung (TW)

(**) **Term:** **14 Years**

(21) **Appl. No.:** **29/110,958**

(22) **Filed:** **Sep. 17, 1999**

(51) **LOC (7) Cl.** **10-01**

(52) **U.S. Cl.** **D10/6**

(58) **Field of Search** D10/1-40, 122-132;
368/10, 203, 244, 276, 277, 73, 285, 262,
316-317

(56) **References Cited**

U.S. PATENT DOCUMENTS

D. 78,455	*	5/1929	Eggersten	D10/2 X
D. 239,509	*	4/1976	Burroughs	D10/8
D. 315,509	*	3/1991	Kolibaba et al.	D10/6
D. 327,019	*	6/1992	Hiraike	D10/7
D. 336,856	*	6/1993	Chen	D10/8
D. 345,523	*	3/1994	Kaneko	D10/126

390,786	*	10/1888	Lane	368/244
D. 396,414	*	7/1998	Chiang	D10/6
D. 407,023	*	3/1999	Kuo	D10/8
D. 412,442	*	8/1999	Chiang	D10/6
4,771,410	*	9/1988	Kolibaba et al.	368/73

* cited by examiner

Primary Examiner—Jeffrey Asch

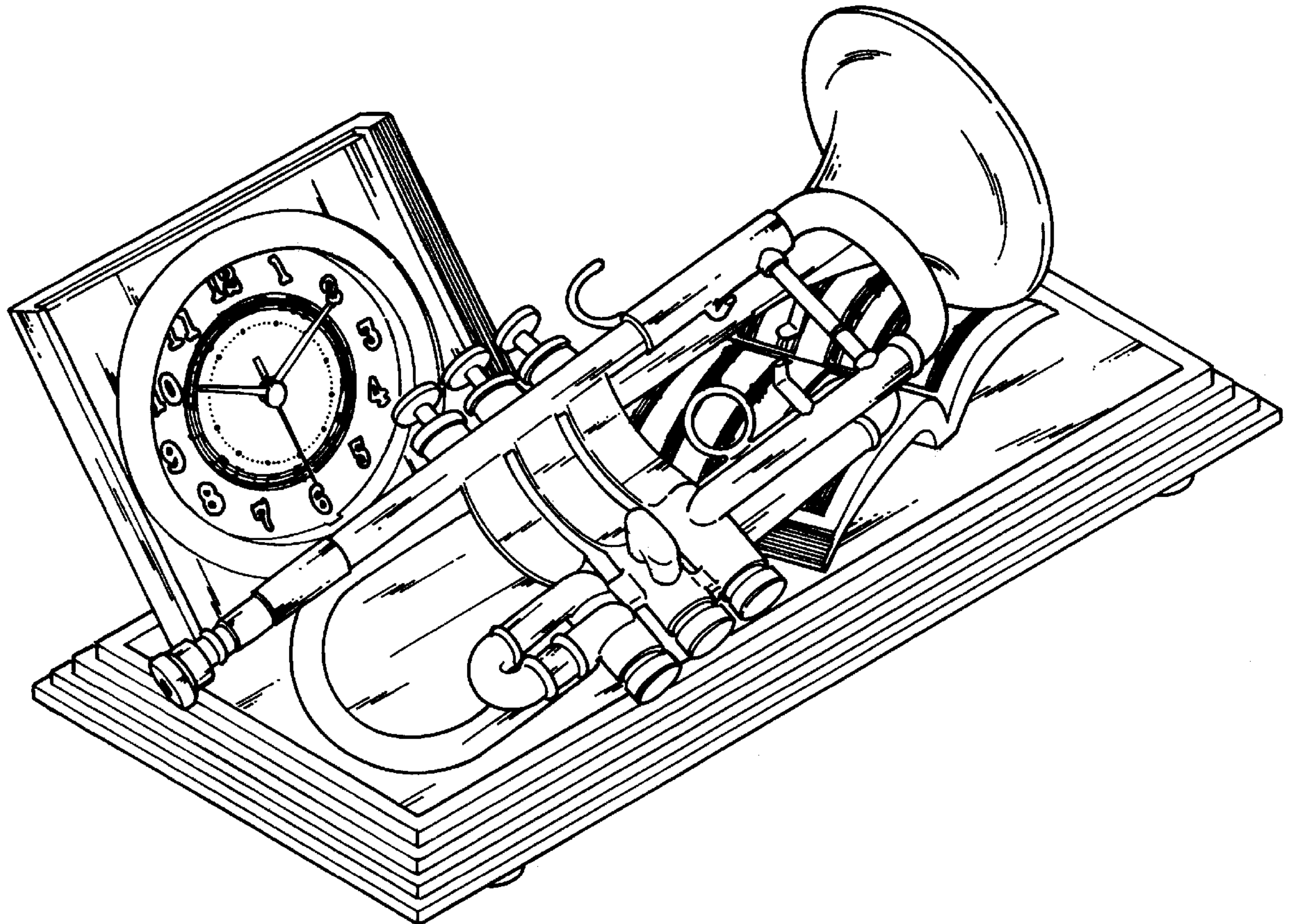
(57) **CLAIM**

The ornamental design for a music instrument type clock, as shown and described.

DESCRIPTION

FIG. 1 is a perspective view of music instrument type clock showing my new design;
FIG. 2 is a front elevational view thereof;
FIG. 3 is a rear elevational view thereof;
FIG. 4 is a left side elevational view thereof;
FIG. 5 is a right side elevational view thereof;
FIG. 6 is a top plan view thereof; and,
FIG. 7 is a bottom plan view thereof.

1 Claim, 4 Drawing Sheets



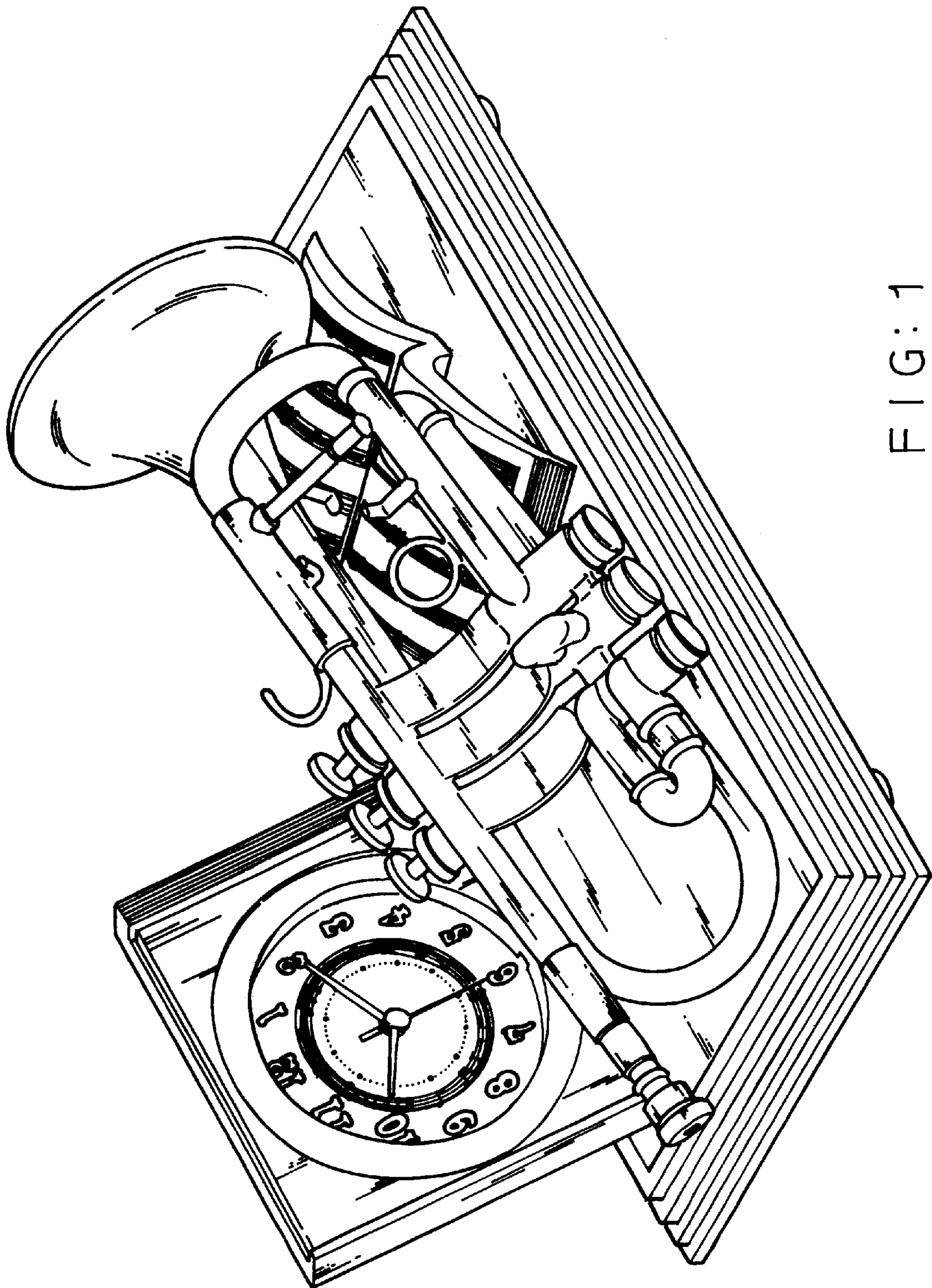


FIG: 1

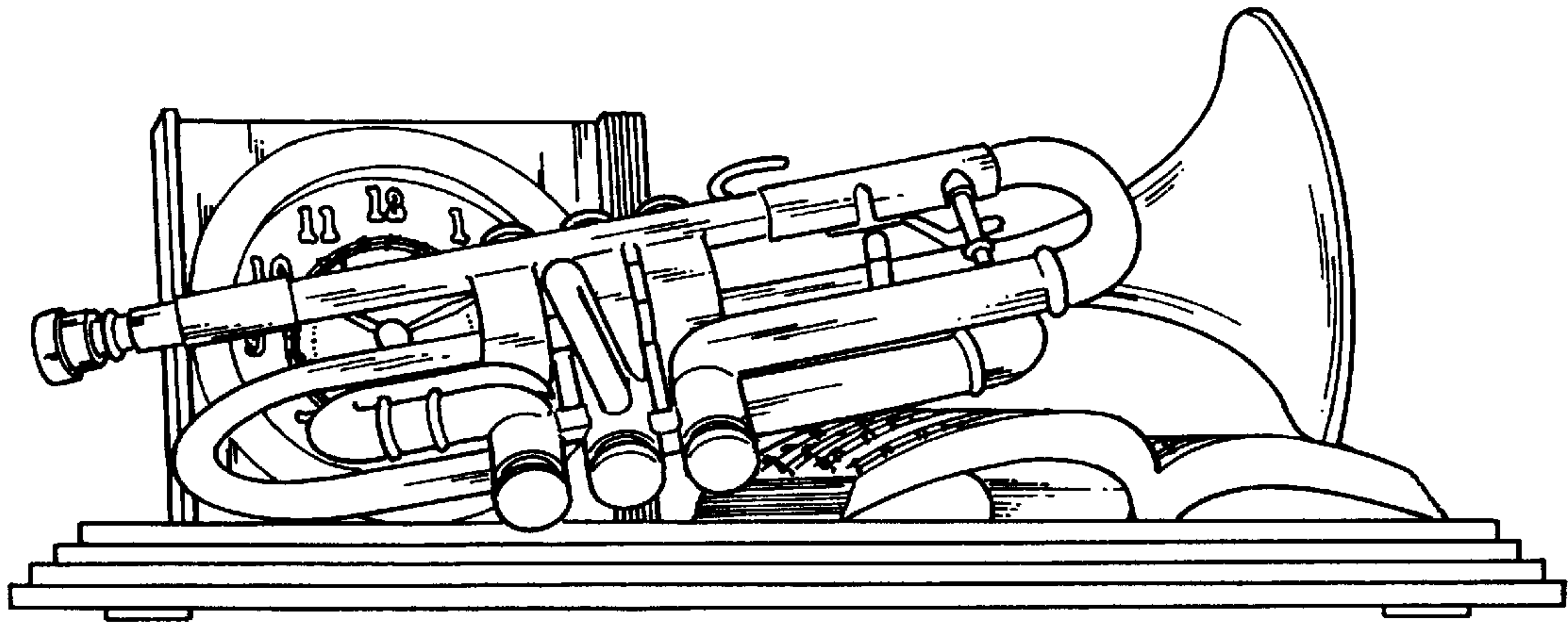


FIG: 2

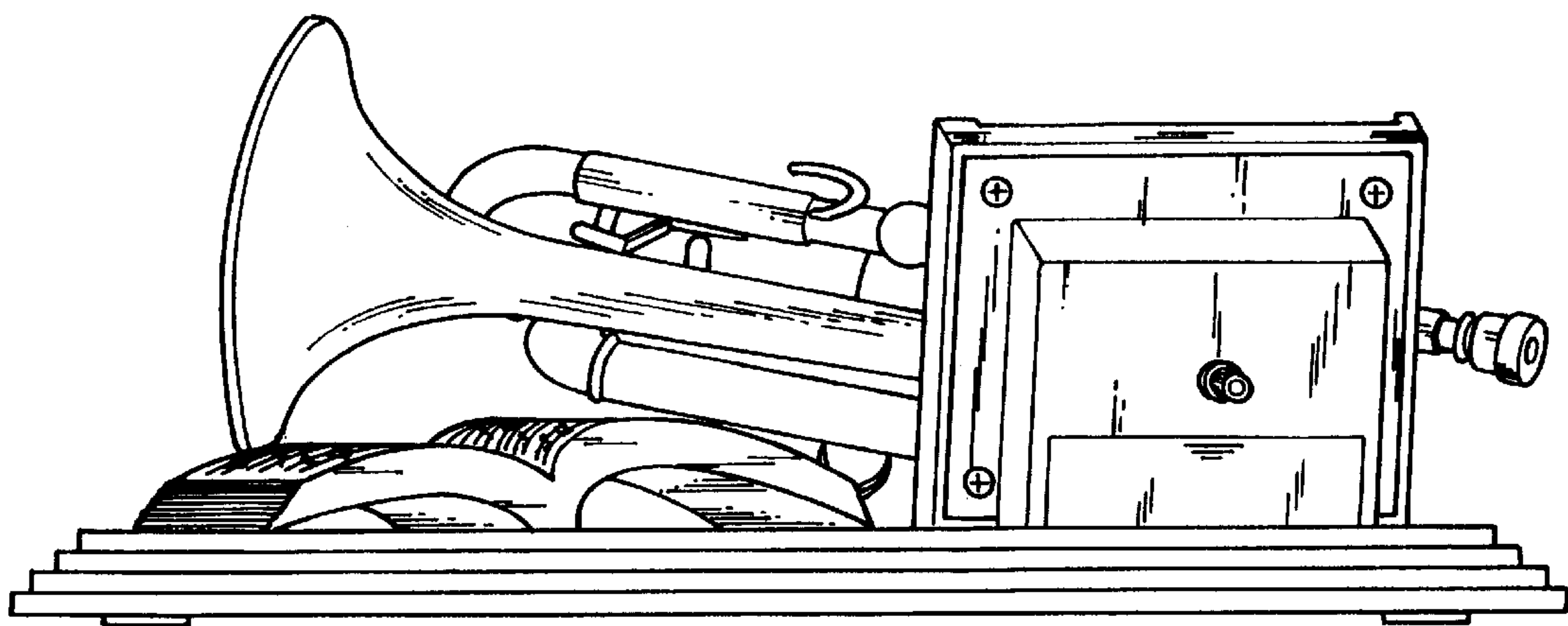


FIG: 3

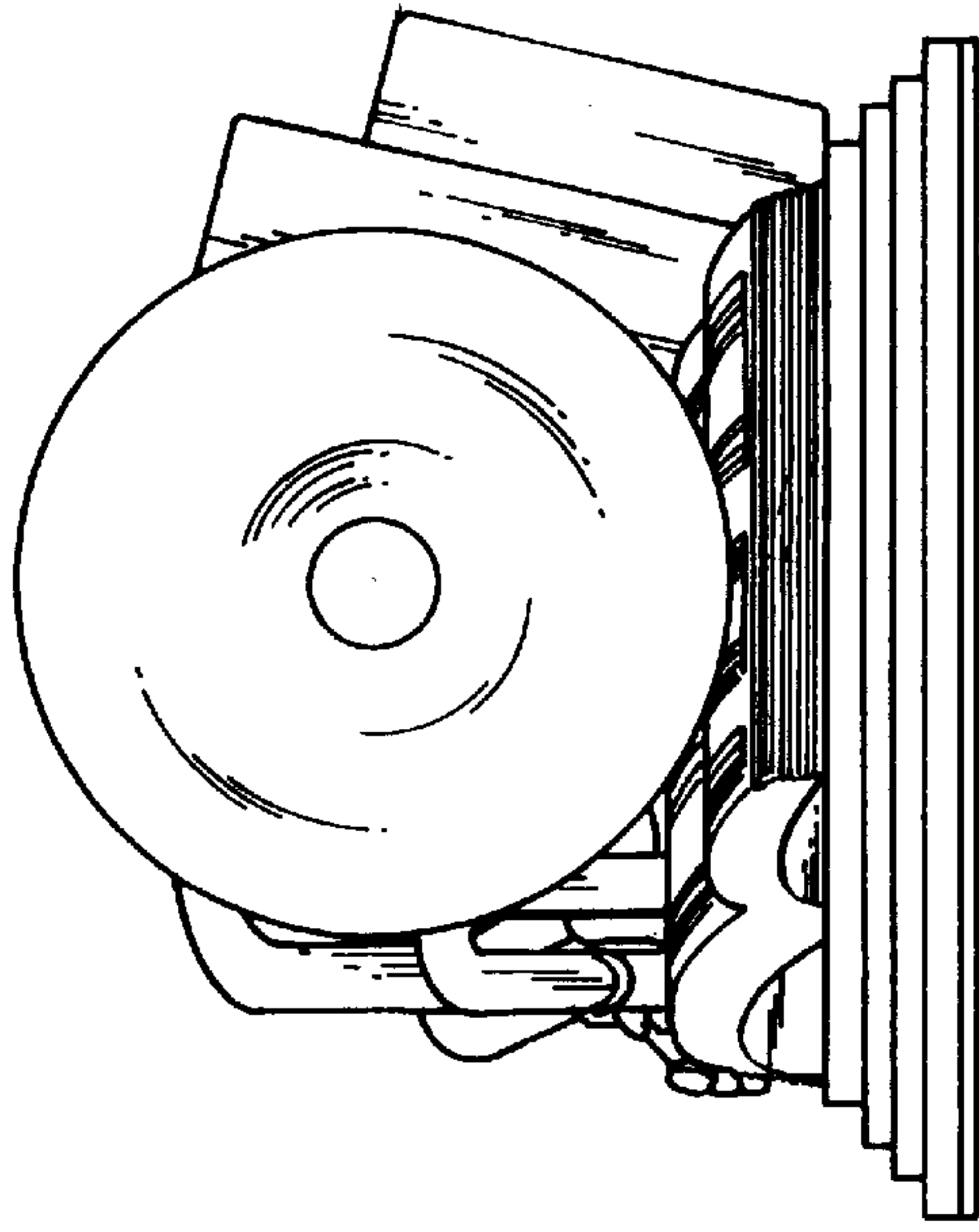


FIG: 5

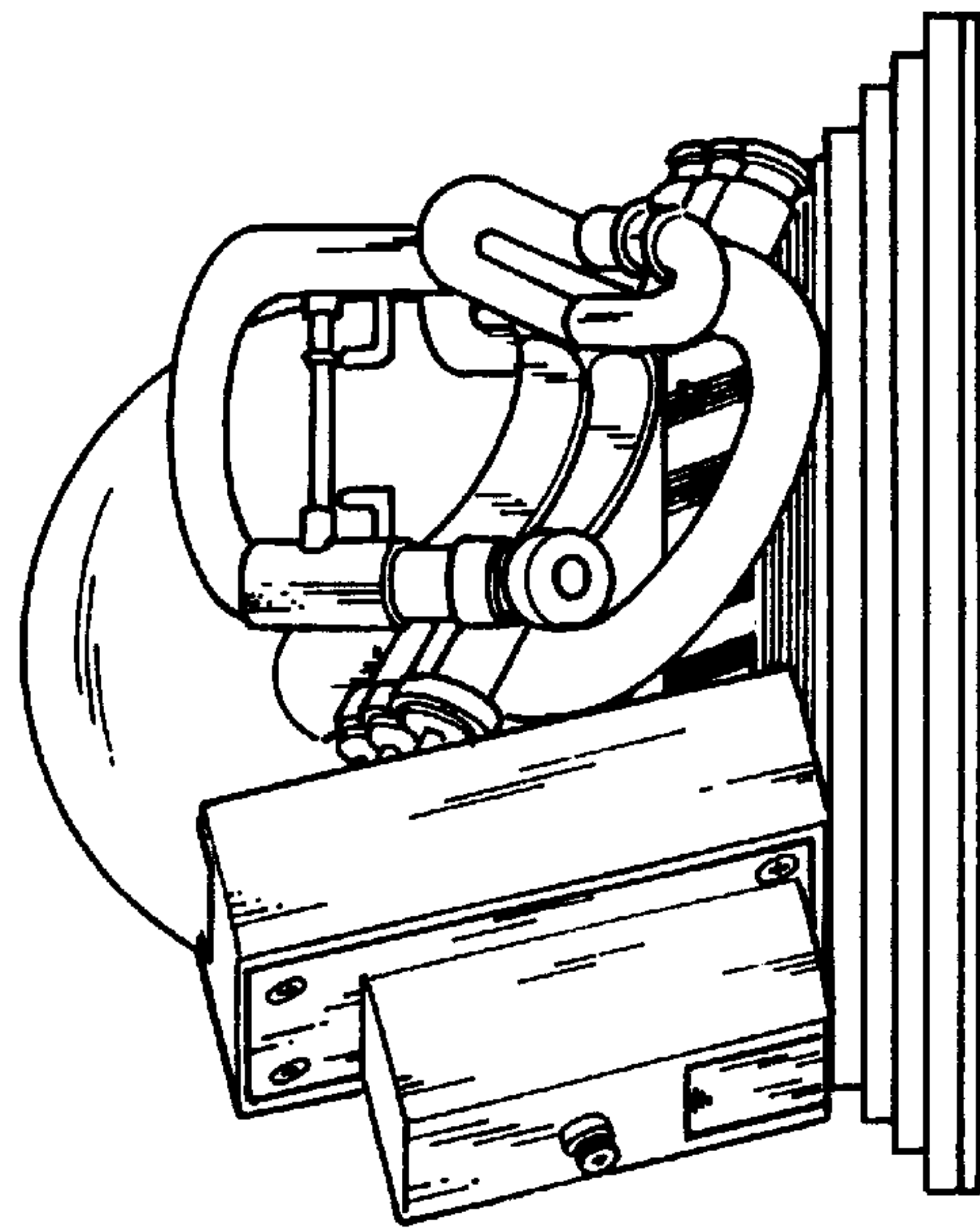


FIG: 4

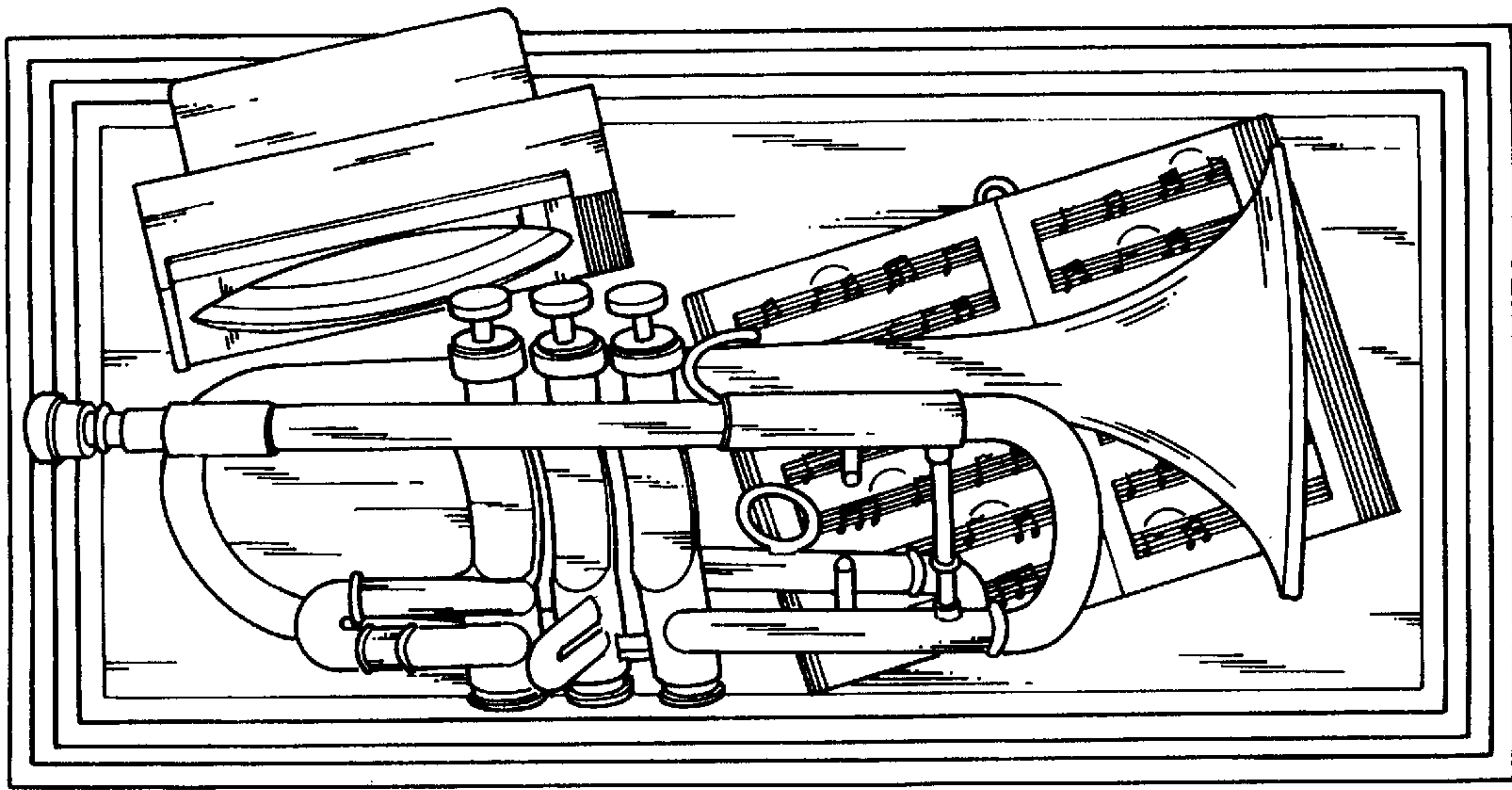


FIG: 6

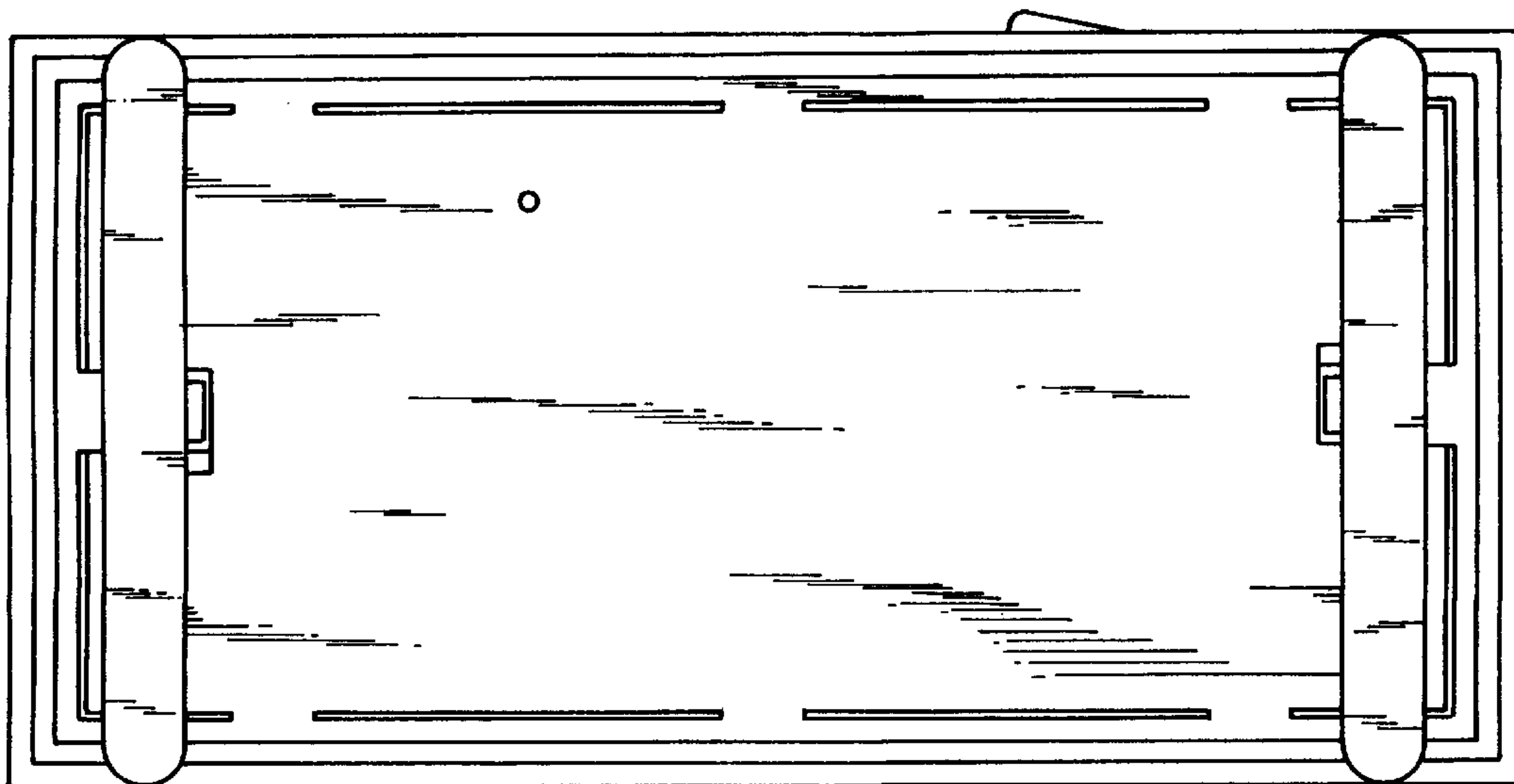


FIG: 7