



US00D441294S

(12) **United States Design Patent**
Lichtman et al.

(10) **Patent No.: US D441,294 S**

(45) **Date of Patent: ** *May 1, 2001**

(54) **BOTTLE**

(75) Inventors: **Jeff Lichtman**, Evanston; **Susan L. Colten**, Wilmette; **John Bretz**, Crystal Lake, all of IL (US); **David P. Piccioli**, Auburn, NH (US); **Suppayan M. Krishnakumar**, Nashua, NH (US); **Wayne N. Collette**, Merrimack, NH (US)

(73) Assignee: **Stokely-Van Camp, Inc.**, Chicago, IL (US)

(*) Notice: This patent is subject to a terminal disclaimer.

(**) Term: **14 Years**

(21) Appl. No.: **29/102,679**

(22) Filed: **Mar. 26, 1999**

(51) **LOC (7) Cl.** **09-01**

(52) **U.S. Cl.** **D9/539; D9/551; D9/553**

(58) **Field of Search** D9/539, 542, 538, D9/540, 541, 553, 551, 559, 520; 215/381-384, 370-373

(56) **References Cited**

U.S. PATENT DOCUMENTS

- D. 182,540 * 4/1958 Soubier .
- D. 231,083 * 4/1974 Campbell D9/551

- D. 390,471 * 2/1998 Ito D9/539
- 4,818,575 * 4/1989 Hirata et al. .
- 4,907,709 * 3/1990 Abe et al. .
- 5,064,081 * 11/1991 Hayashi et al. .
- 5,735,420 * 4/1998 Nakamaki et al. .
- 5,971,184 * 10/1999 Krishnakumar et al. 215/384

* cited by examiner

Primary Examiner—Lucy Lieberman

(74) *Attorney, Agent, or Firm*—Lars S. Johnson

(57) **CLAIM**

The ornamental design for a bottle, as shown and described.

DESCRIPTION

FIG. 1 is a perspective view of a bottle showing a new design;

FIG. 2 is a front elevational view of the bottle depicted in FIG. 1, the opposite rear elevational view being identical;

FIG. 3 is a side elevational view of the bottle depicted in FIG. 2, representing a partial rotation of the bottle about its vertical center axis from the front elevational view depicted in FIG. 2, the opposite side elevational view being identical;

FIG. 4 is a top plan view of the bottle depicted in FIG. 2; and,

FIG. 5 is a bottom plan view of the bottle depicted in FIG. 2.

The broken line environmental showing is for illustrative purposes only and does not form part of the claimed design.

1 Claim, 2 Drawing Sheets

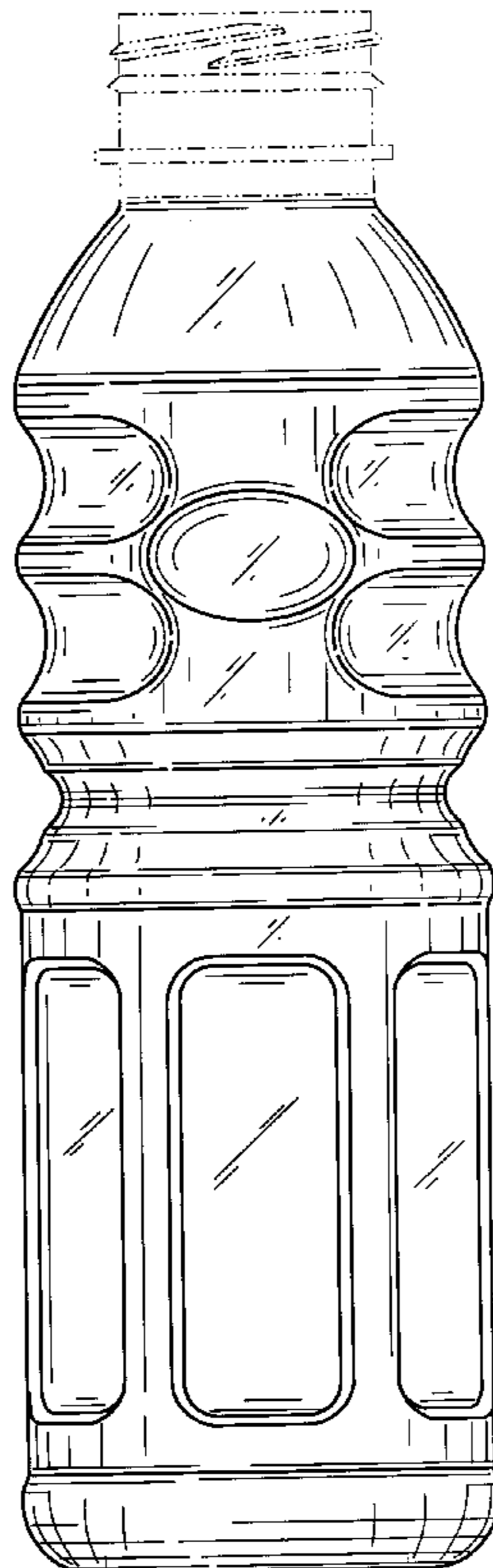


FIG. 1

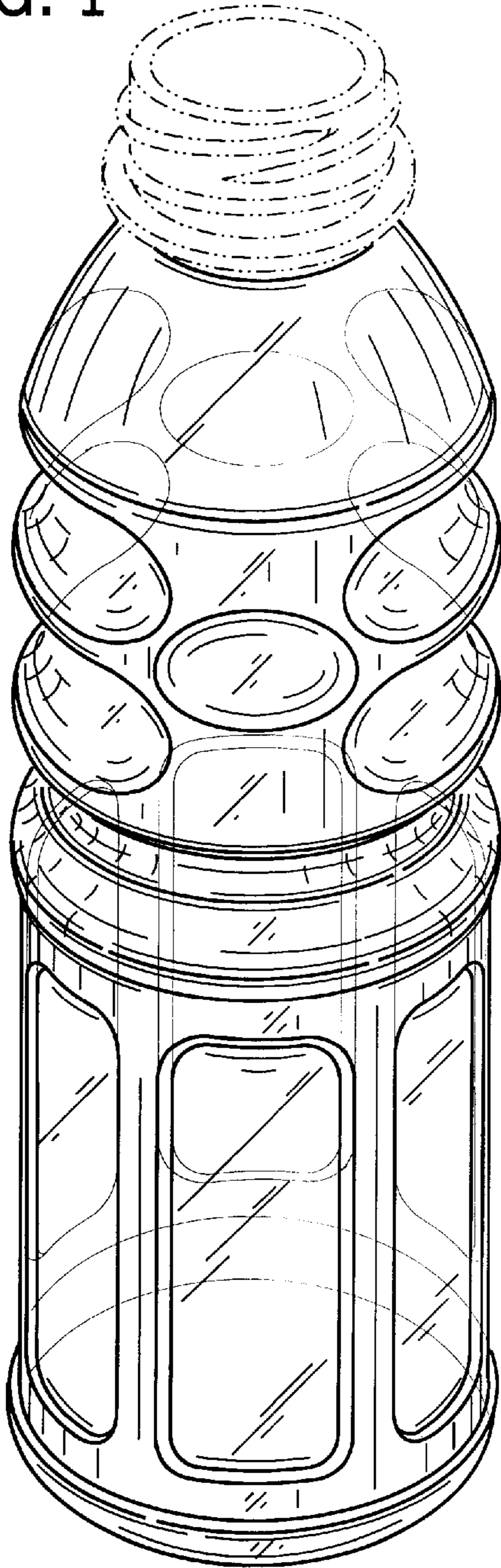


FIG. 4

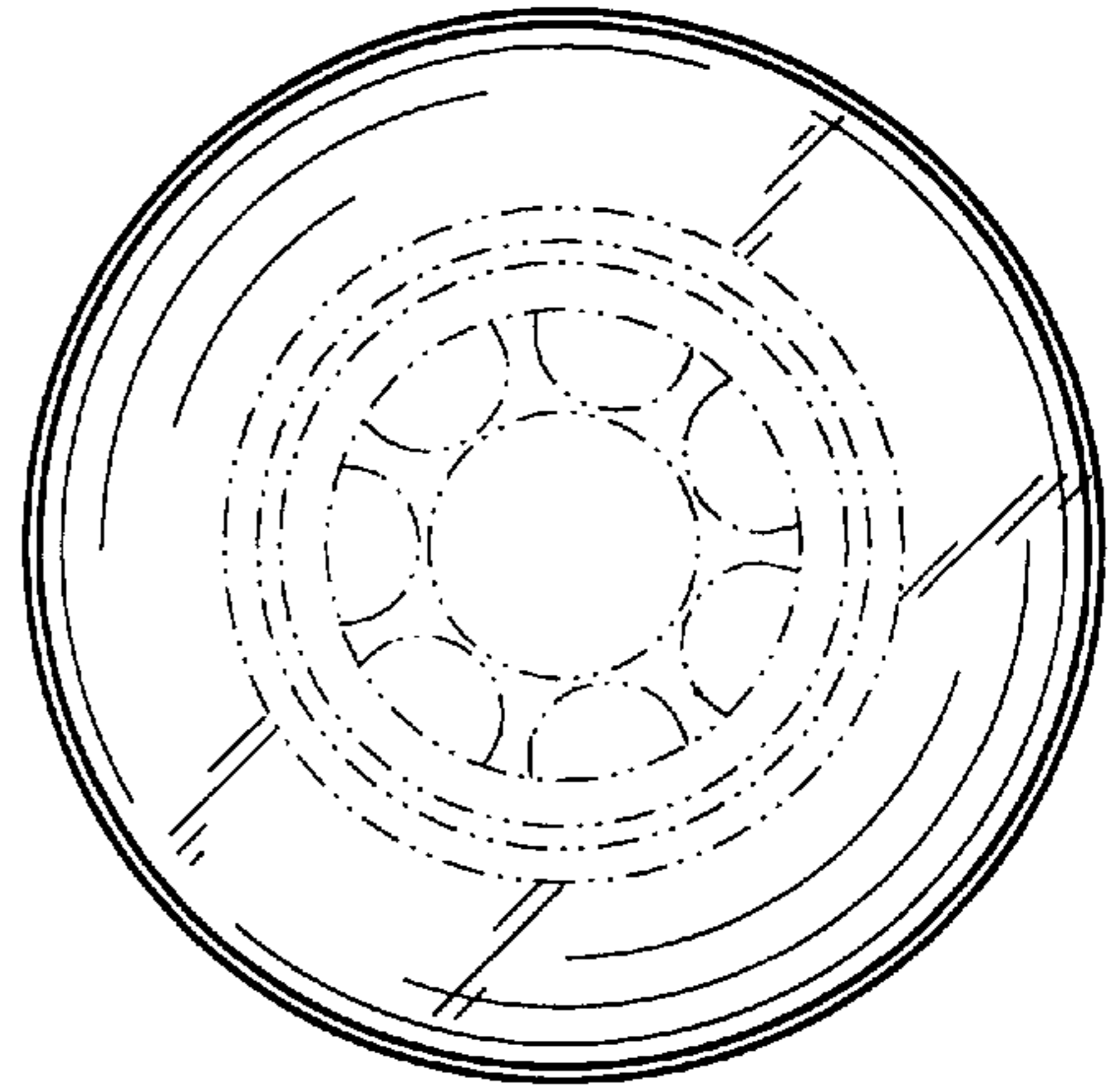


FIG. 5

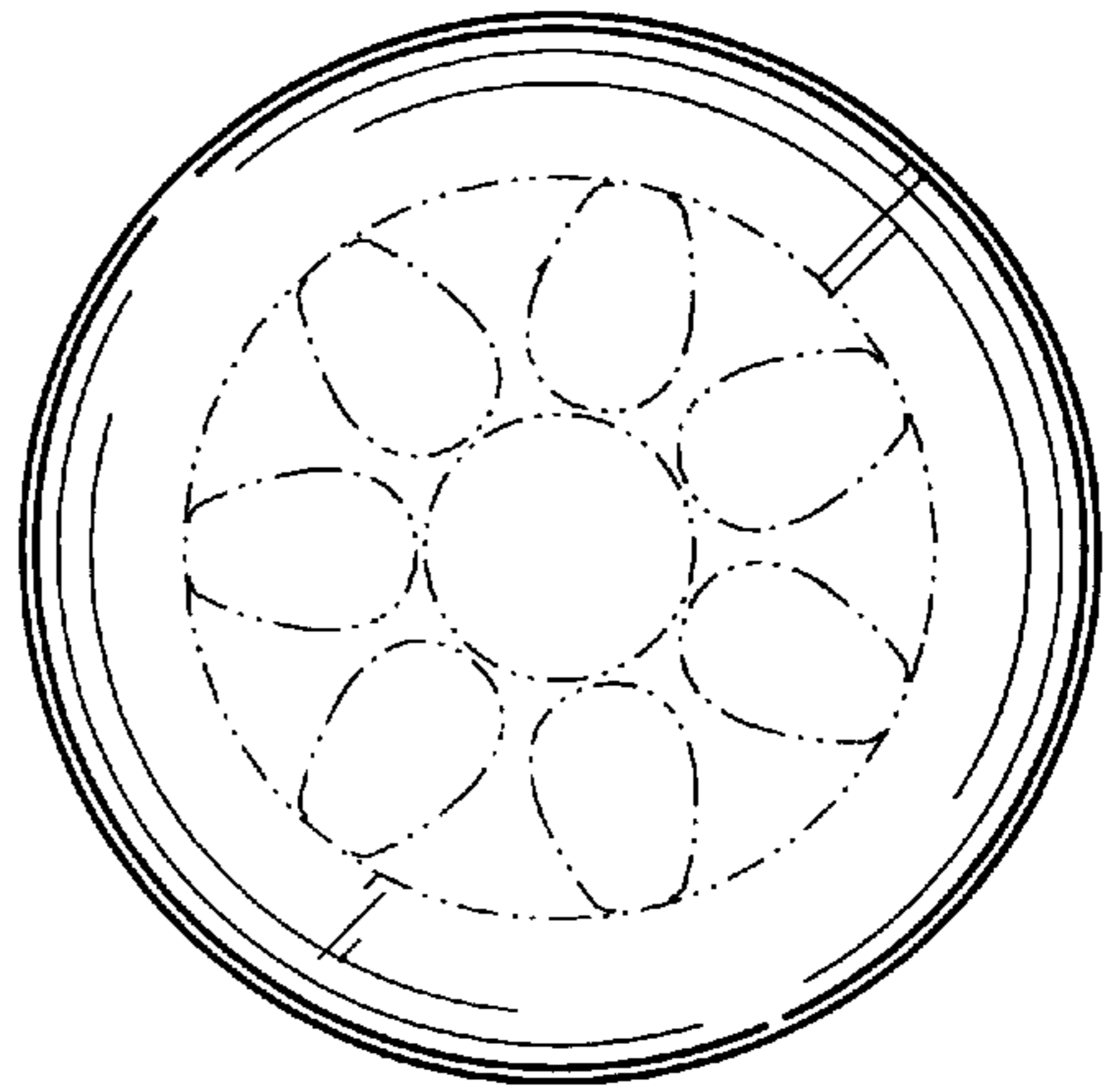


FIG. 2

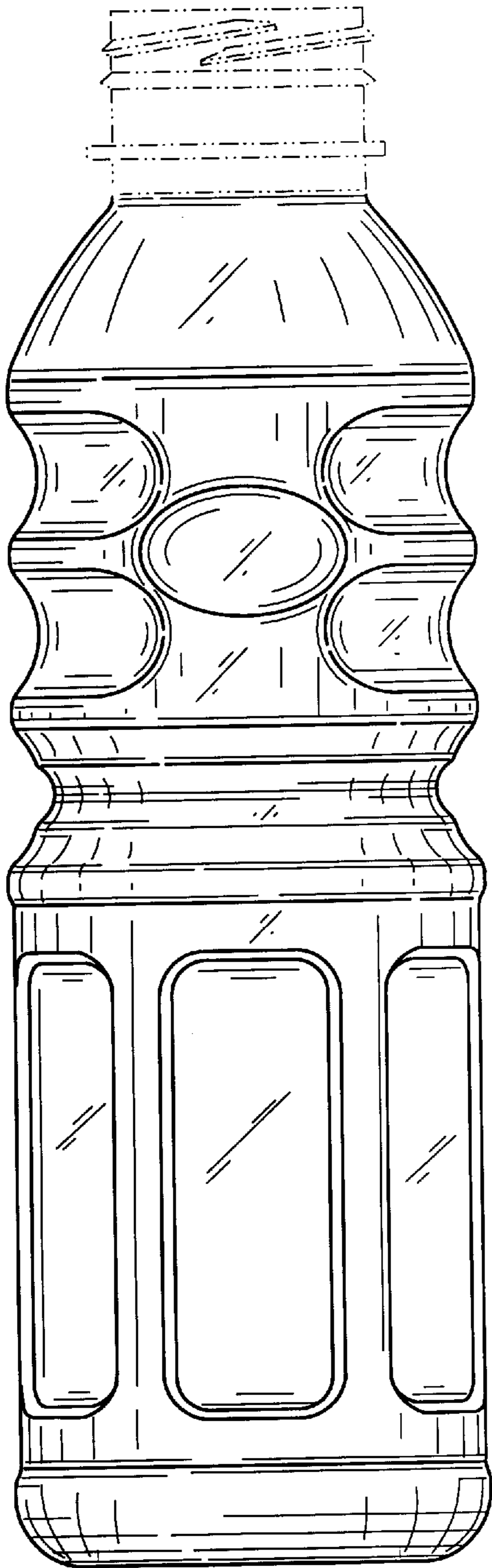


FIG. 3

