



US00D441288S

(12) **United States Design Patent** (10) **Patent No.:** **US D441,288 S**
Pillers et al. (45) **Date of Patent:** **** May 1, 2001**

(54) **TWIST LID**

- (75) Inventors: **Michelle J. Pillers**, Kirkland; **Barry Beyerlein**, Seattle; **Robert Freed**, Kenmore, all of WA (US)
- (73) Assignee: **Pacific Market, Inc.**, Seattle, WA (US)
- (**) Term: **14 Years**
- (21) Appl. No.: **29/118,974**
- (22) Filed: **Feb. 18, 2000**

Related U.S. Application Data

- (62) Division of application No. 09/479,410, filed on Jan. 6, 2000.
- (51) **LOC (7) Cl.** **09-07**
- (52) **U.S. Cl.** **D9/434; D7/392.1**
- (58) **Field of Search** D7/392.1, 396.2, D7/510, 511; D9/434, 435, 436, 444, 445, 447, 450, 454; 215/200, 307, 316, 317, 387; 220/253, 675, 703, 715, 737; 222/548, 549

(56) **References Cited**

U.S. PATENT DOCUMENTS

D. 312,785	*	12/1990	Tucker	D9/435
D. 353,973	*	1/1995	Adado	D7/511
D. 356,034	*	3/1995	Sugrue	D9/439
D. 386,644	*	11/1997	Orrico et al.	D7/511
D. 387,619	*	12/1997	Gross et al.	D7/510
D. 398,187		9/1998	Parker	.	
D. 399,392	*	10/1998	Husted	D7/511
1,903,632	*	4/1933	Oliver	215/222
3,366,272	*	1/1968	Ballmann	D9/447 X
4,083,467		4/1978	Mullins et al.	.	
4,099,642		7/1978	Nergard	.	
4,624,384		11/1986	Ko	.	

OTHER PUBLICATIONS

- Drawing of Twist Lid PA19.P15C1. Pacific Market, Inc. Located in copending application No. 29/121,292, Jan. 27, 1999.*
- The Thermos Company, Travel Mug JMD 500, magazine, USA; no date given.
- Contemporary Classics, Mobile Mug, catalog, USA; no date given.
- Oggi Corporation, Travelmaster, The Gourmet Retailer, Apr. 1995, p. 167, USA.
- Trudeau, Filter Press, Press 'n Pour, Saturn Rings, Pyramid, Pump Thermal Carafe, catalog, USA no date given.
- Pacific Market, Inc., (design sold at least as early as 1996).
- Pacific Market, Inc., (design sold at least as early as Sep. 1996).
- Pacific Market, Inc., (design sold at least as early as 1994).

* cited by examiner
Primary Examiner—Robert M. Spear
(74) *Attorney, Agent, or Firm*—Richardson & Folise

(57) **CLAIM**

The ornamental design for a twist lid, as shown and described.

DESCRIPTION

FIG. 1 is a right side perspective view of a twist lid showing our new design; the lid is shown attached to a beverage container shown in phantom which is for illustrative purposes only and forms no part of the claimed design.

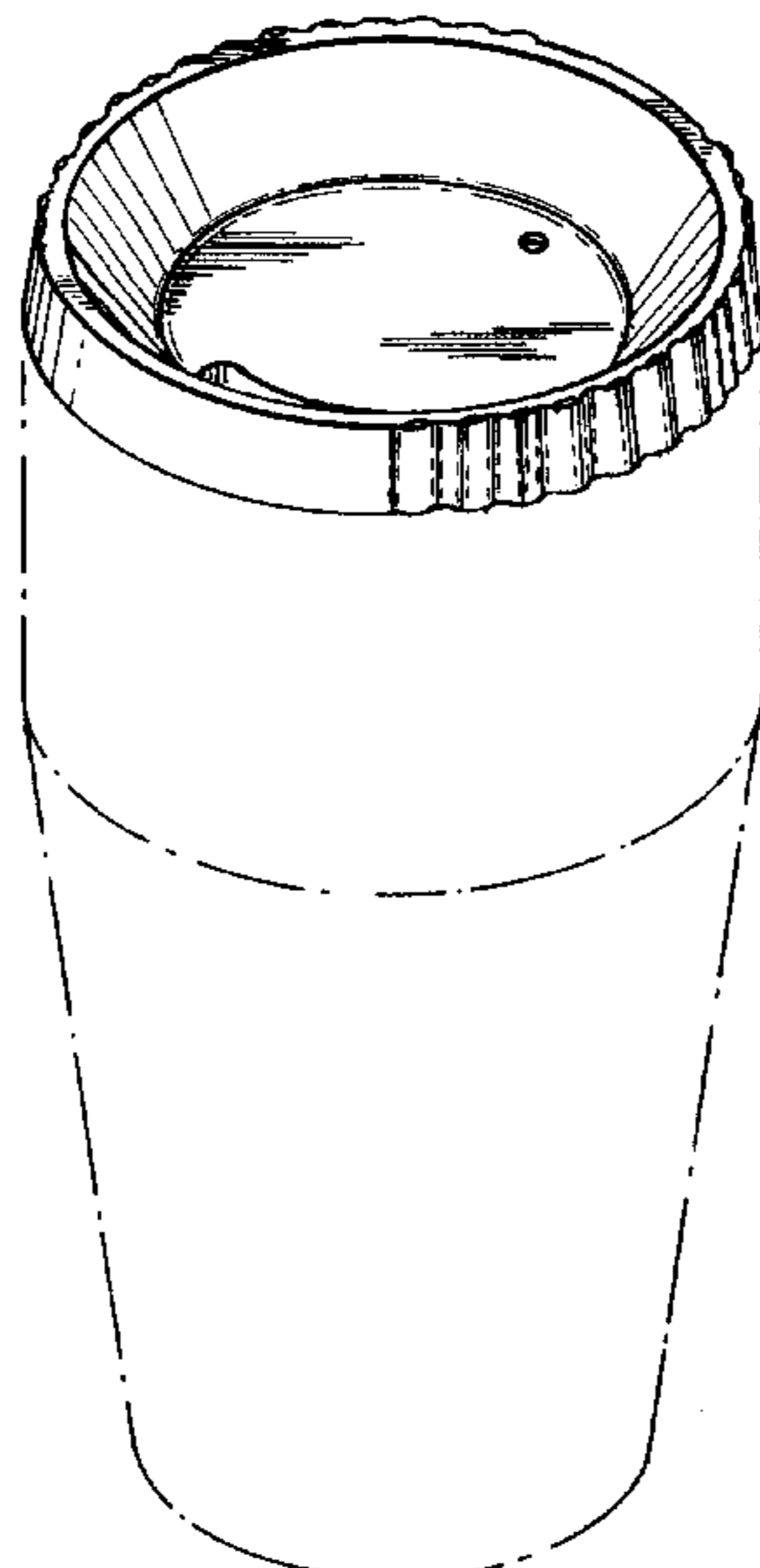
FIG. 2 is a top plan view thereof.

FIG. 3 is a front elevational view thereof.

FIG. 4 is a left side elevational view thereof the right side elevational view thereof being a mirror image thereof; and, FIG. 5 is a rear elevational view thereof.

The surfaces or portions of the article not shown in the drawings or described in the specification form no part of the claimed design.

1 Claim, 2 Drawing Sheets



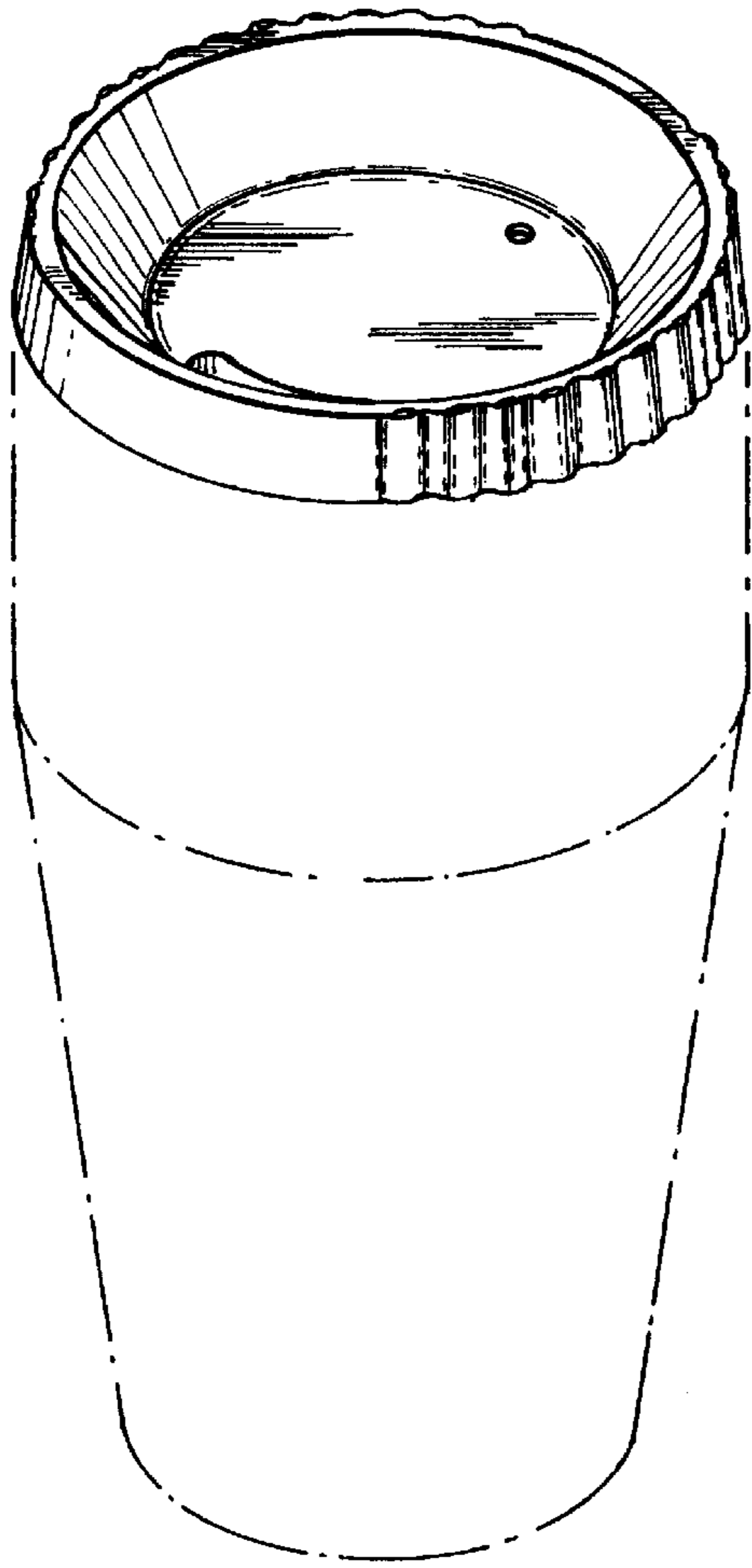


FIG. 1

FIG. 3

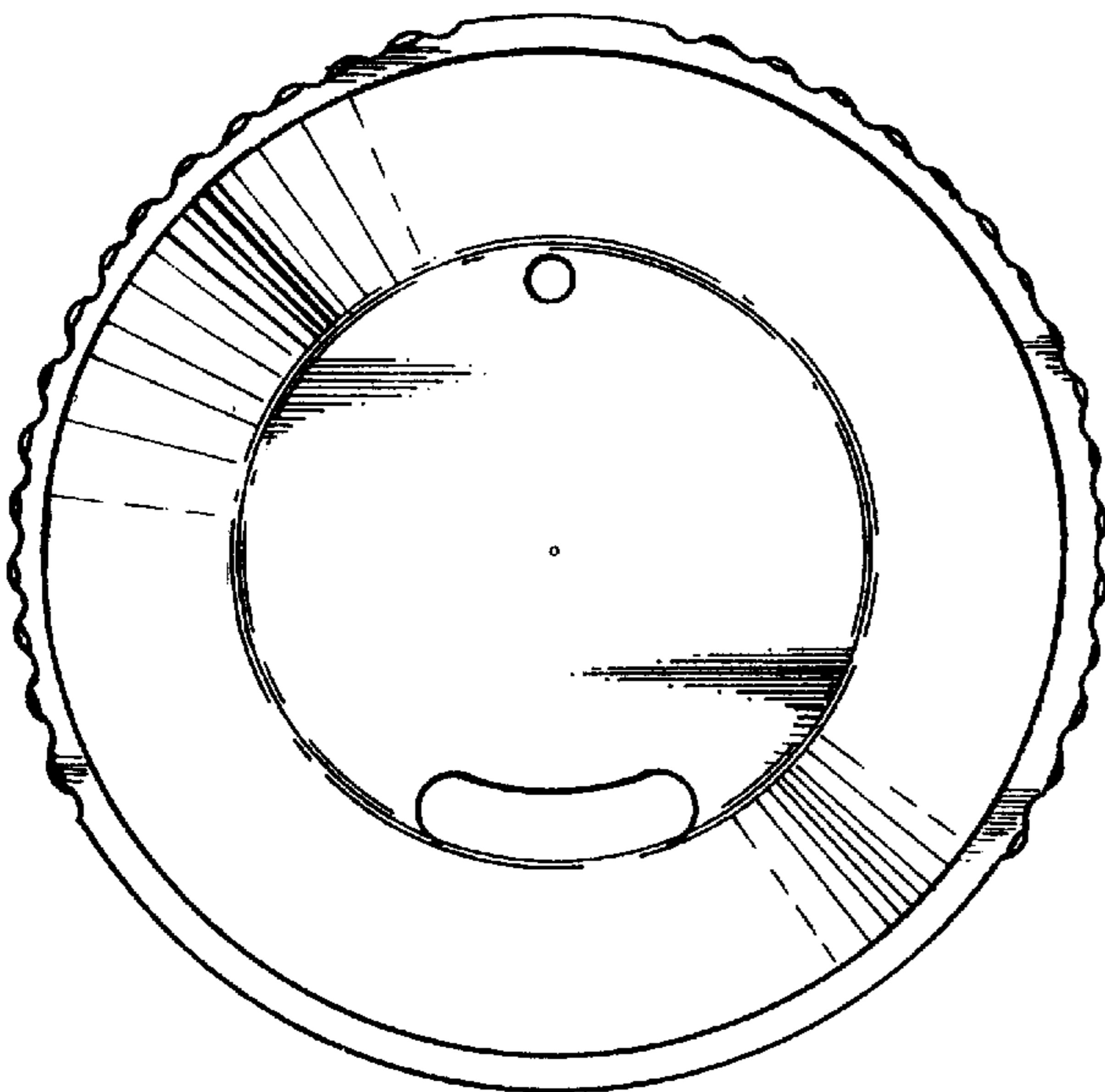


FIG. 2

FIG. 4

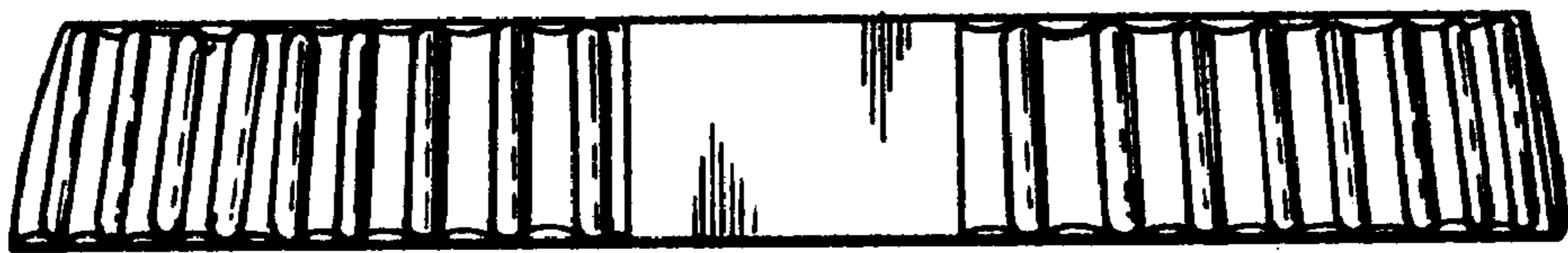


FIG. 5