



US00D441284S

(12) **United States Design Patent**
Saur et al.

(10) **Patent No.: US D441,284 S**

(45) **Date of Patent: ** May 1, 2001**

- (54) **CONTACT LENS BLISTER PACKAGE**
- (75) Inventors: **Warren D. Saur**, Pittsford; **John H. Shannon**, Hamlin, both of NY (US)
- (73) Assignee: **Bausch & Lomb Incorporated**, Rochester, NY (US)
- (**) Term: **14 Years**
- (21) Appl. No.: **29/123,099**
- (22) Filed: **May 9, 2000**
- (51) **LOC (7) Cl. 09-03**
- (52) **U.S. Cl. D9/341; D3/264; D9/428**
- (58) **Field of Search D9/341, 428; D3/264, D3/201, 263; 206/5.1, 822, 316.1, 205, 207, 210, 5, 6, 206**

4,986,414	1/1991	Ashley	206/5.1
5,036,971	8/1991	Seden	206/5.1
5,176,686	1/1993	Poley	606/107
5,396,984	3/1995	Wanders	206/5.1
5,407,062	4/1995	Shannon	206/5.1
5,409,104	4/1995	Lovell	206/5.1
5,467,868	11/1995	Abrams	206/5.1
5,474,169	12/1995	Bauman	206/5.1
5,488,815	2/1996	Abrams	53/425
5,515,964	5/1996	Bauman	206/5.1
5,573,108	11/1996	Hamilton	206/5.1
5,577,367	11/1996	Abrams	53/425
5,598,919	2/1997	Taylor	206/5.1
5,609,246	3/1997	Borghorst	206/5.1
5,620,088	4/1997	Martin	206/5.1
5,685,420	11/1997	Martin	206/5.1
5,697,495	12/1997	Abrams	206/5.1
5,704,468	1/1998	Lust	206/5.1
5,722,536	3/1998	Pierce	206/5.1
6,029,808	2/2000	Peck	206/210
6,044,966 *	4/2000	Haase	206/5.1
6,050,398 *	4/2000	Wilde et al.	206/5.1
6,082,533 *	7/2000	Smith et al.	206/5.1

(56) **References Cited**

U.S. PATENT DOCUMENTS

D. 356,889	4/1995	Abrams	D3/264
D. 357,115	4/1995	Abrams	D3/264
D. 357,352	4/1995	Abrams	D3/264
D. 357,353	4/1995	Abrams	D3/264
D. 357,580	4/1995	Abrams	D3/264
D. 357,805	5/1995	Abrams	D3/264
D. 358,025	5/1995	Martin	D3/264
D. 358,026	5/1995	Abrams	D3/264
D. 358,027	5/1995	Abrams	D3/264
D. 358,028	5/1995	Abrams	D3/264
D. 358,029	5/1995	Abrams	D3/264
D. 363,601	10/1995	Abrams	D3/264
D. 365,679	1/1996	Abrams	D3/264
D. 371,678	7/1996	Borghorst	D3/264
D. 378,571 *	3/1997	Bastow	D9/428
D. 435,966 *	1/2001	Duis et al.	D3/264
3,872,970	3/1975	Edison	206/532
4,269,307	5/1981	LaHaye	206/5.1
4,623,249	11/1986	Grant	356/124
4,691,820	9/1987	Martinez	206/205
4,782,942	11/1988	Ashley	206/5.1
4,817,789	4/1989	Paul	206/5.1
4,897,981	2/1990	Beck	53/431
4,928,815	5/1990	Paul	206/5.1

FOREIGN PATENT DOCUMENTS

0680895A1	4/1995	(EP)	B65D/75/36
-----------	--------	------------	------------

* cited by examiner

Primary Examiner—Raphael Barkai
(74) *Attorney, Agent, or Firm*—Katherine McGuire

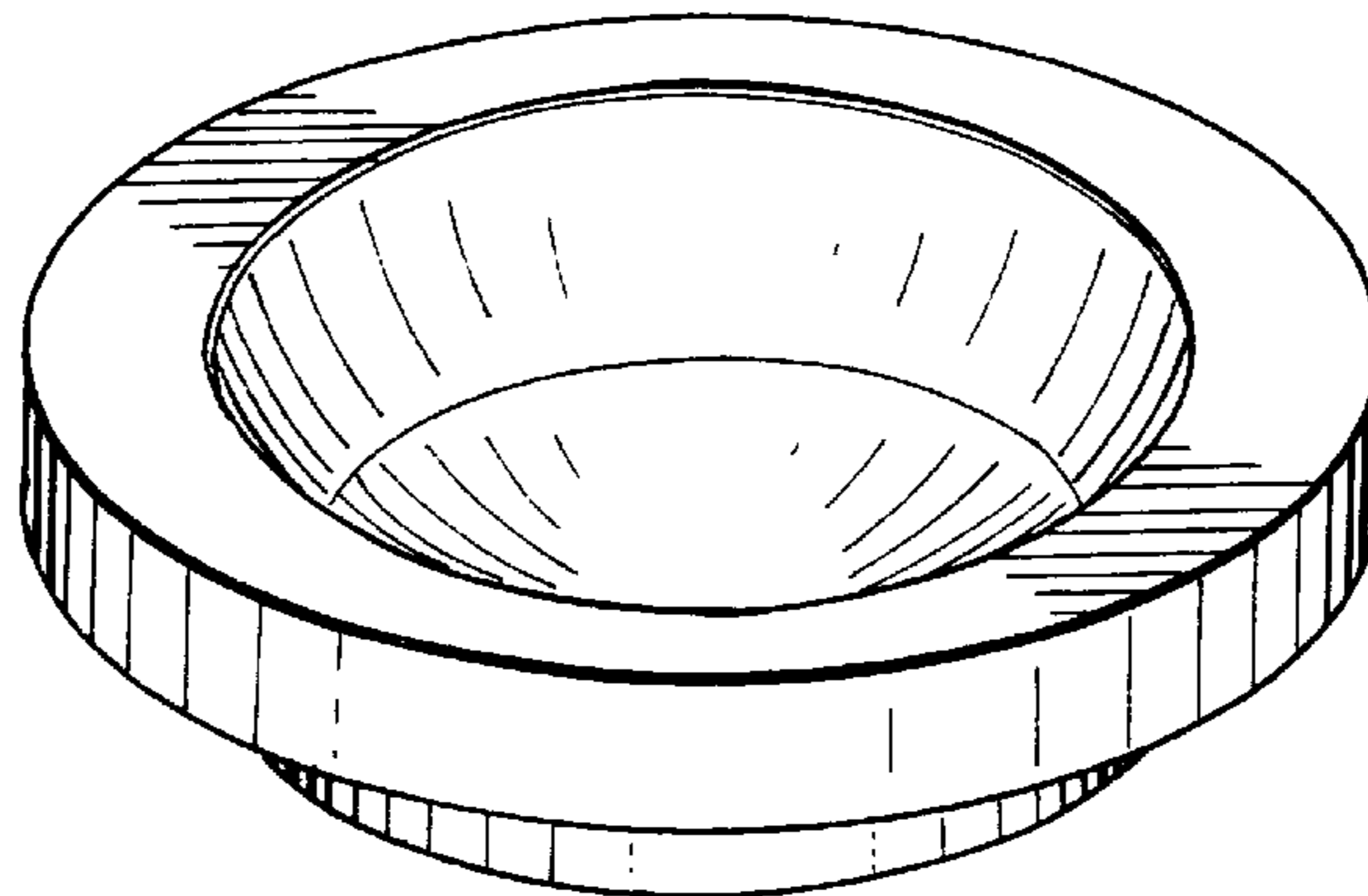
(57) **CLAIM**

The ornamental design for a contact lens blister package, as shown and described.

DESCRIPTION

FIG. 1 is a top perspective view of a contact lens blister package showing my new design;
FIG. 2 is a bottom perspective view thereof;
FIG. 3 is a top plan view thereof;
FIG. 4 is a bottom plan view thereof;
FIG. 5 is a side elevational view thereof; and,
FIG. 6 is a cross-sectional view as taken along the line 6—6 of FIG. 3.

1 Claim, 3 Drawing Sheets



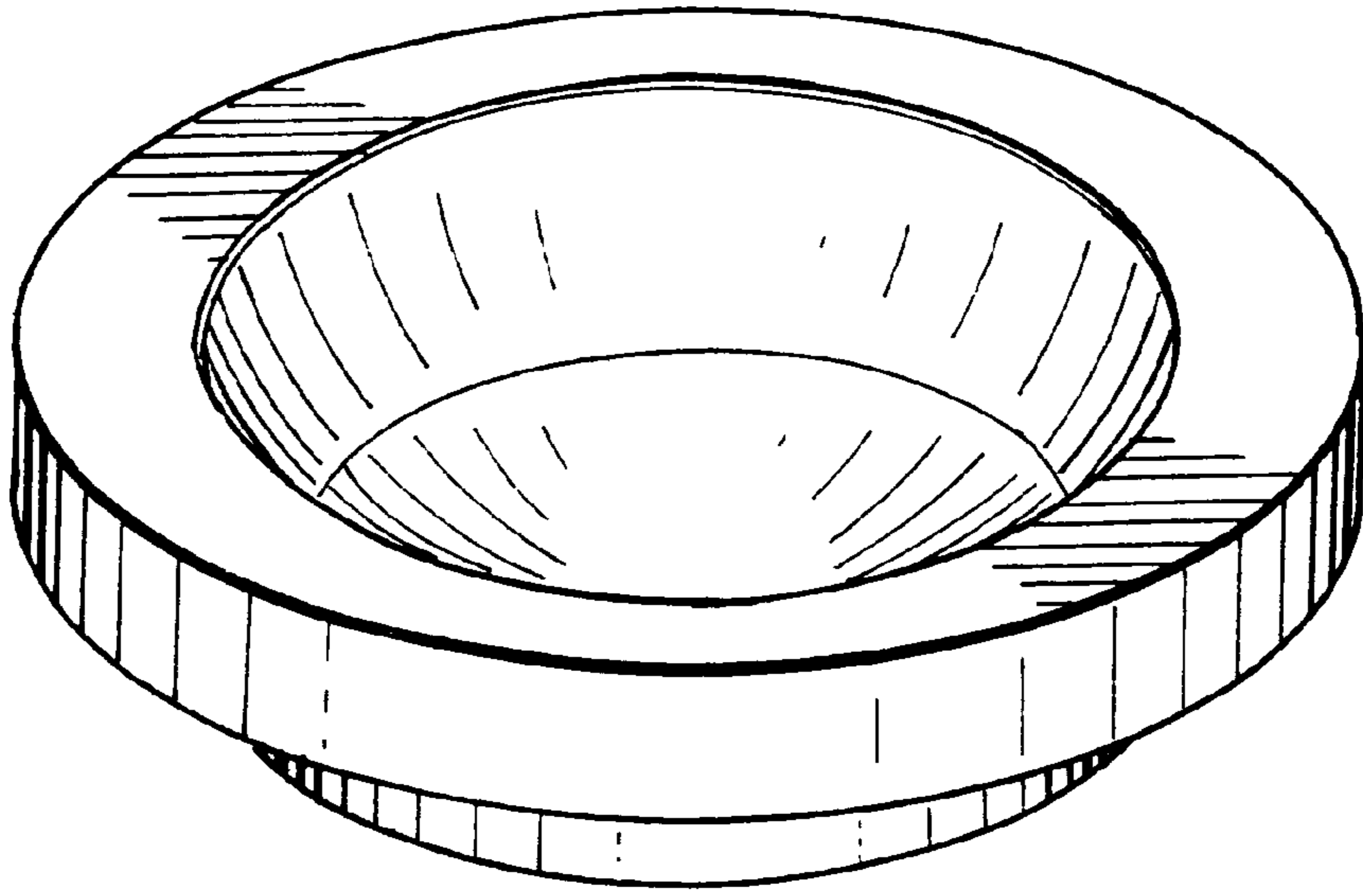


FIG. 1

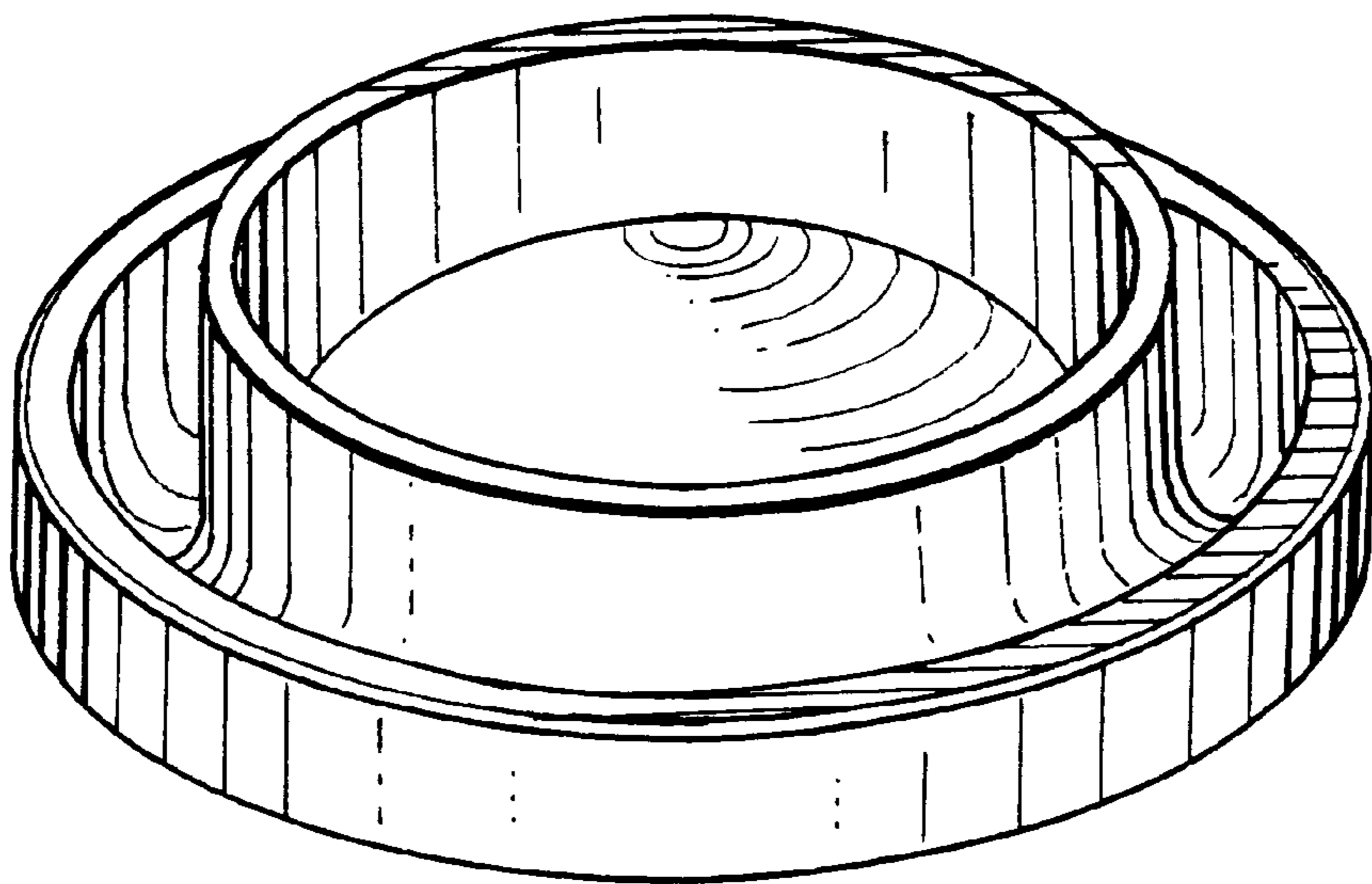


FIG. 2

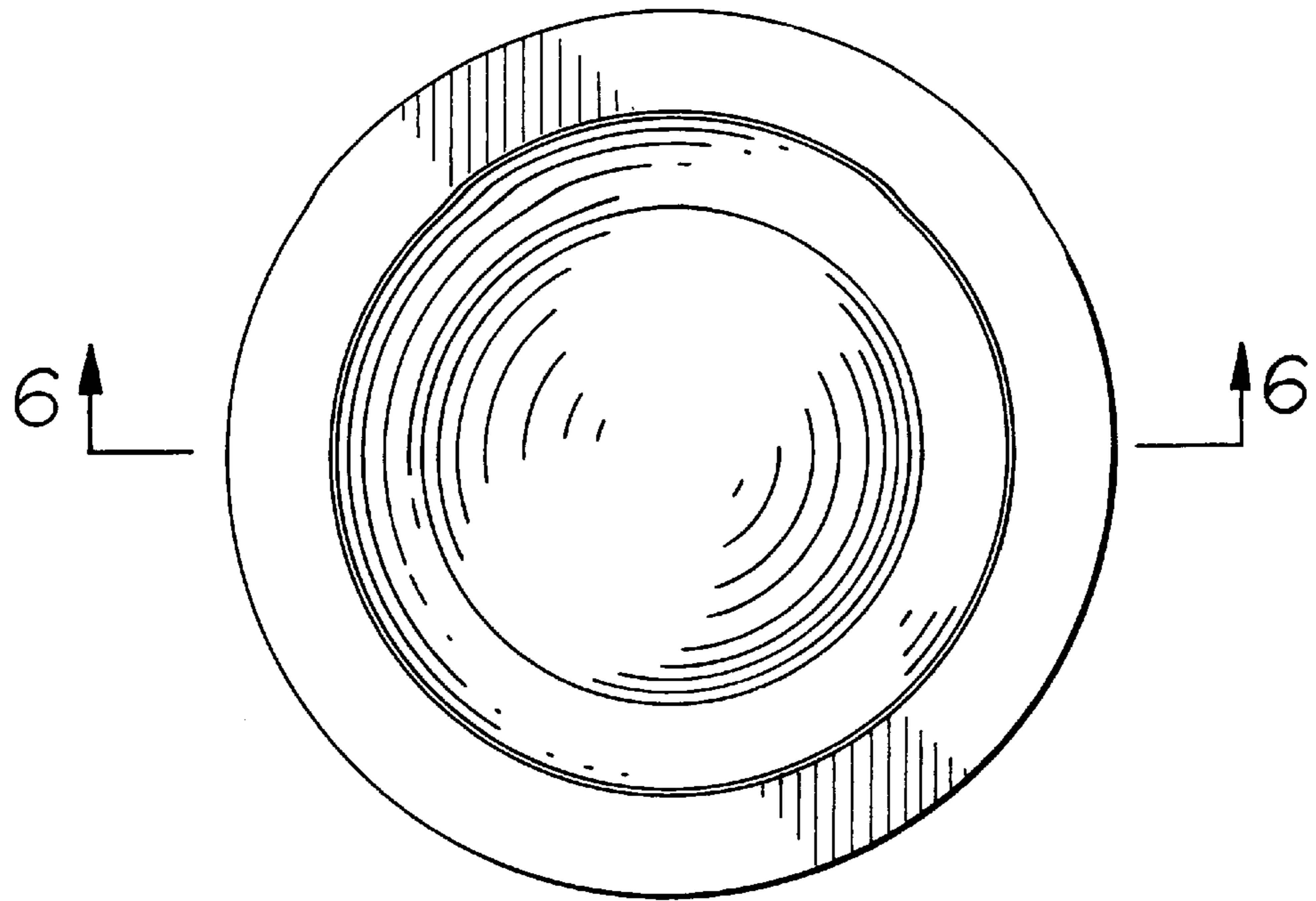


FIG. 3

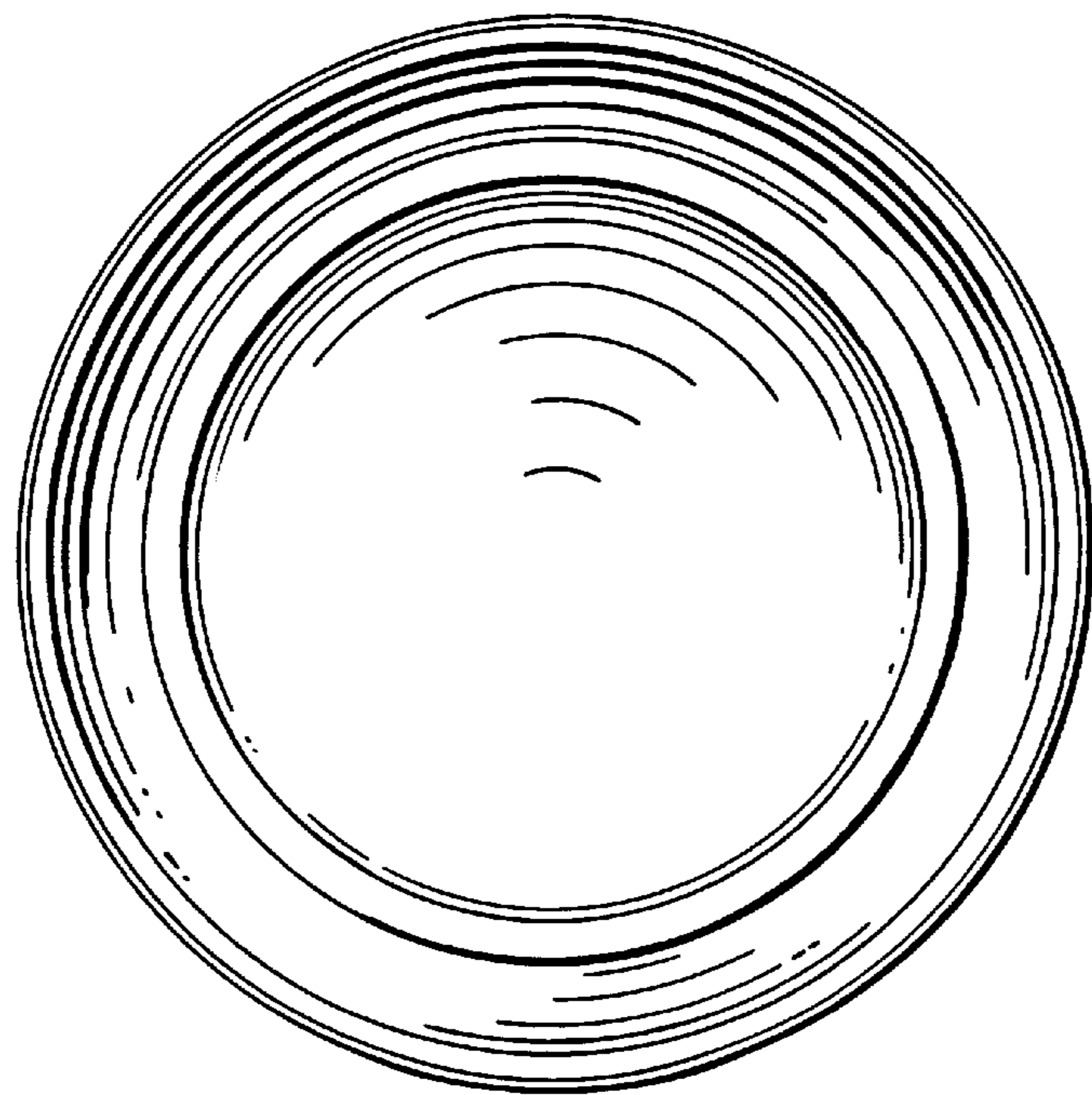


FIG. 4

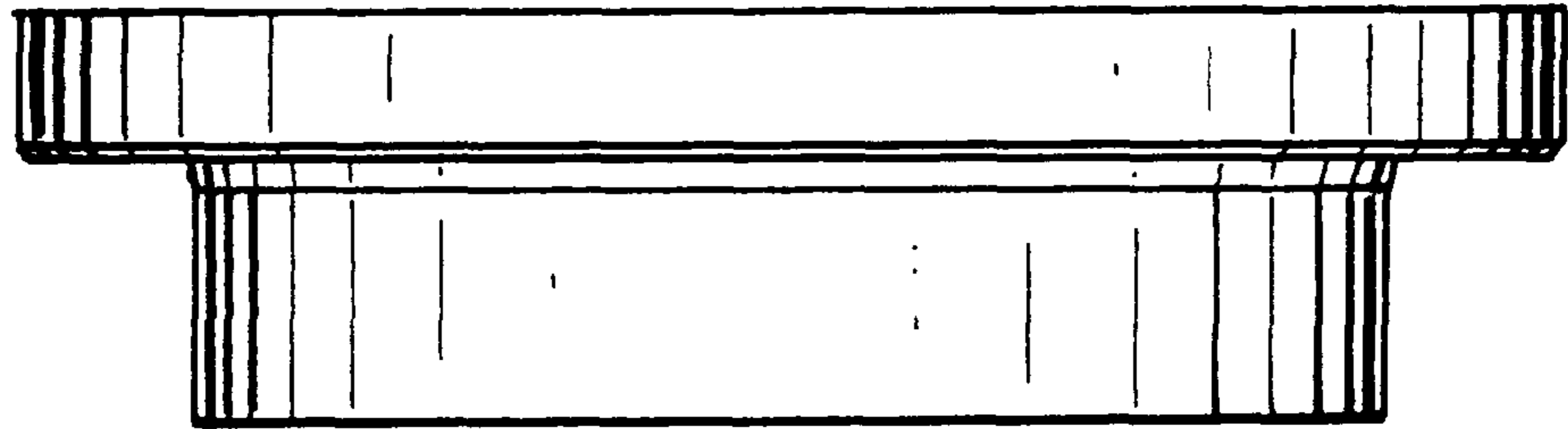


FIG. 5

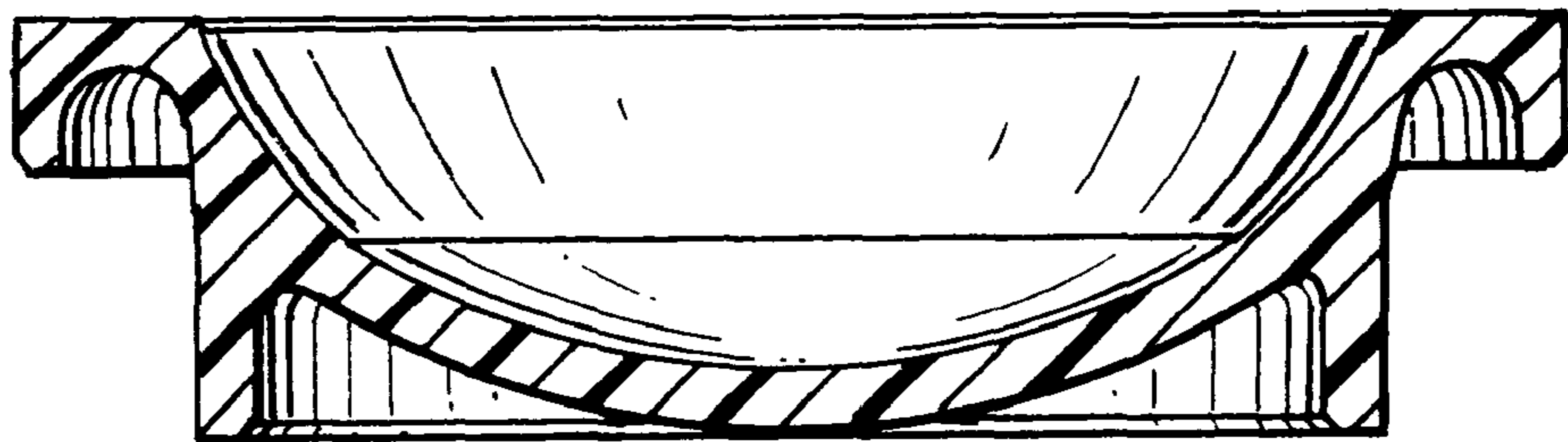


FIG. 6