



US00D441283S

(12) **United States Design Patent**
Crawford

(10) **Patent No.:** **US D441,283 S**

(45) **Date of Patent:** **** May 1, 2001**

(54) **DISPENSER**

(75) Inventor: **John C. Crawford**, Mahopac, NY (US)

(73) Assignee: **Colgate-Palmolive Company**, New York, NY (US)

(*) Notice: This patent is subject to a terminal disclaimer.

(**) Term: **14 Years**

(21) Appl. No.: **29/103,957**

(22) Filed: **Oct. 28, 1998**

Related U.S. Application Data

(63) Continuation-in-part of application No. 29/082,399, filed on Jan. 21, 1998, now Pat. No. Des. 426,770.

(51) **LOC (7) Cl.** **09-07**

(52) **U.S. Cl.** **D9/338**

(58) **Field of Search** D9/337-339, 503, D9/517-519, 529, 571-575; D28/7, 76, 82; 401/95, 172, 175, 176, 179

(56) **References Cited**

U.S. PATENT DOCUMENTS

- D. 262,266 * 12/1981 Hadtke et al. D9/520 X
- D. 279,650 * 7/1985 Aldrich, III et al. D9/529
- D. 369,098 * 4/1996 Dinand D9/574 X

- D. 374,827 * 10/1996 Valls D9/574 X
- D. 385,779 * 11/1997 Sokol et al. D9/338
- D. 424,930 * 5/2000 Crawford D9/338
- D. 426,770 * 6/2000 Craword D9/338
- D. 427,520 * 7/2000 Crawford D9/338
- 718,969 * 1/1903 Altshul 401/176
- 4,588,320 * 5/1986 Weinstein 401/209 X
- 5,051,016 * 9/1991 Bengston 401/213

OTHER PUBLICATIONS

Digital photographs of container for BRUT Clear Gel Anti-Perspirant by Faberge, undated.

* cited by examiner

Primary Examiner—Nanda Bondade

(74) *Attorney, Agent, or Firm*—Michael J. McGreal

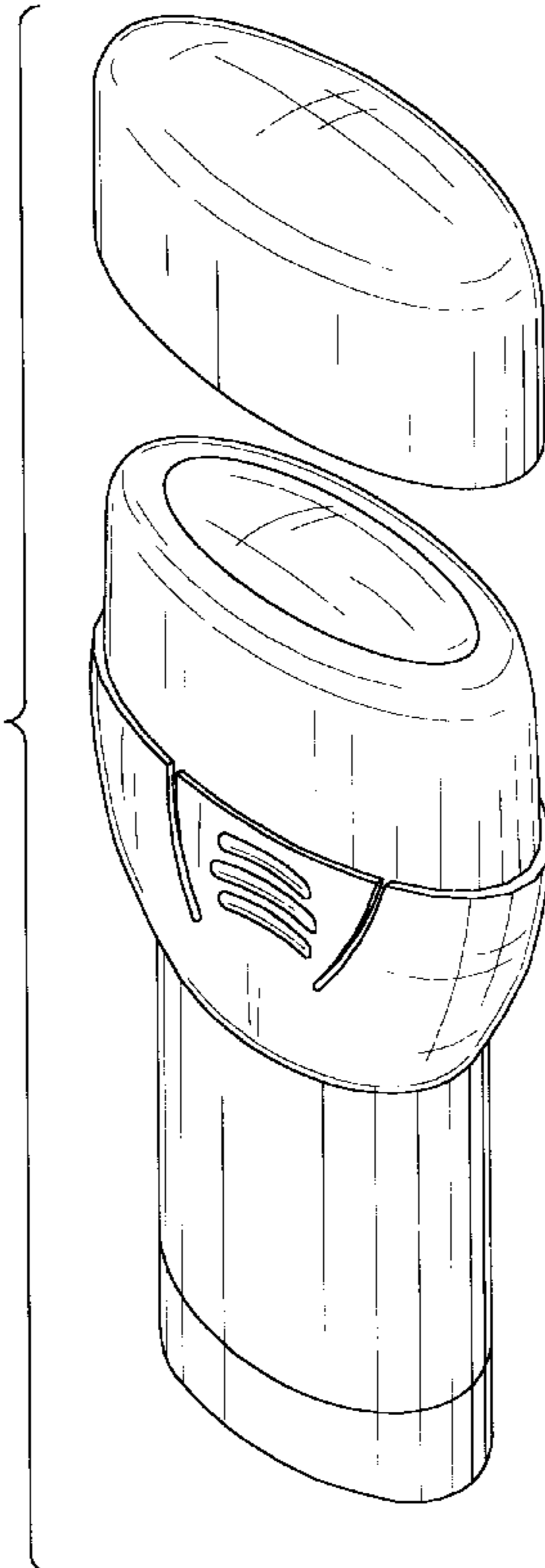
(57) **CLAIM**

The ornamental design for a dispenser, as shown and described.

DESCRIPTION

FIG. 1 is a perspective view of my design for a dispenser.
 FIG. 2 is a right side elevation view thereof.
 FIG. 3 is a left side elevation view thereof.
 FIG. 4 is a front elevation view thereof.
 FIG. 5 is a rear elevation view thereof.
 FIG. 6 is a top plan view thereof; and,
 FIG. 7 is a bottom plan view thereof.

1 Claim, 3 Drawing Sheets



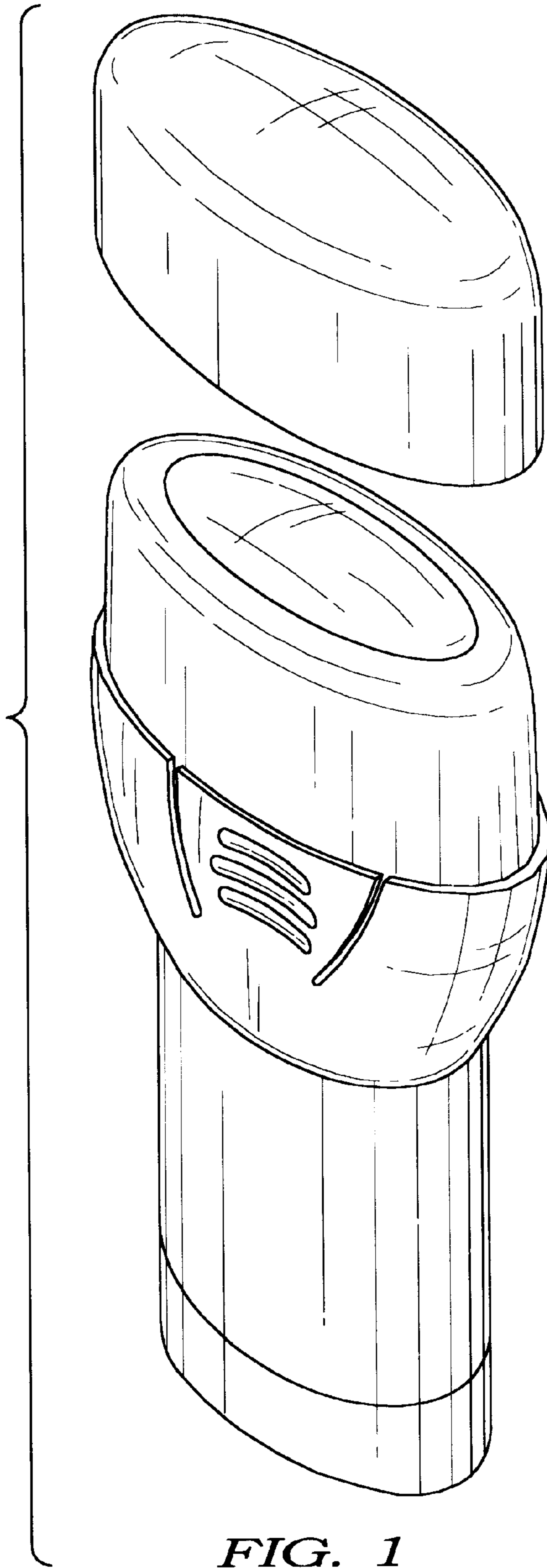


FIG. 1

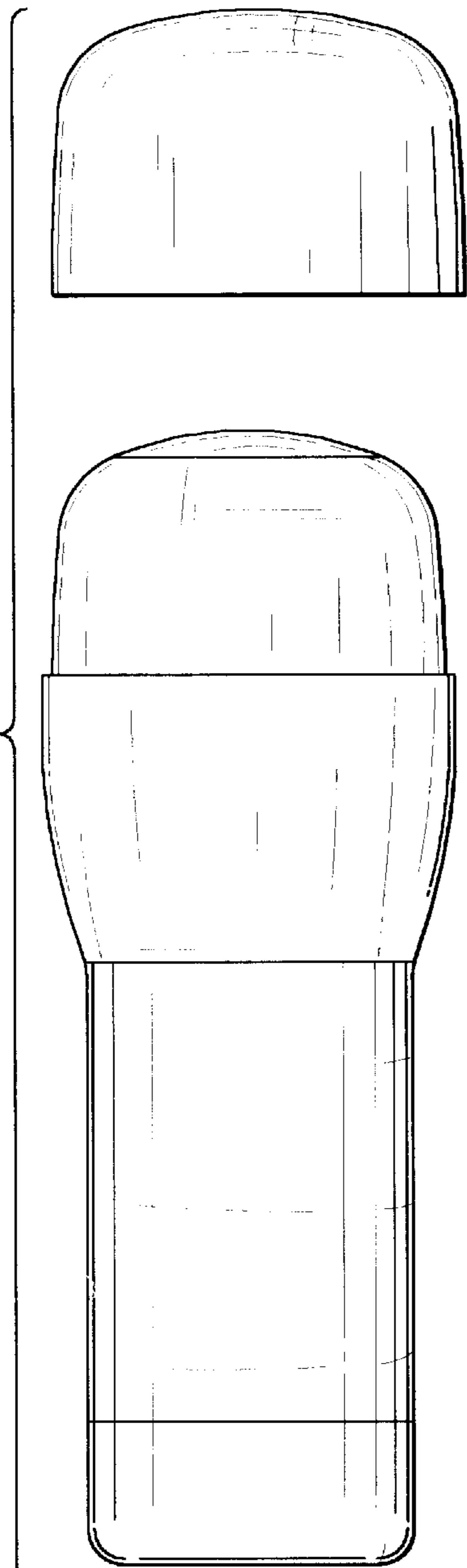


FIG. 2

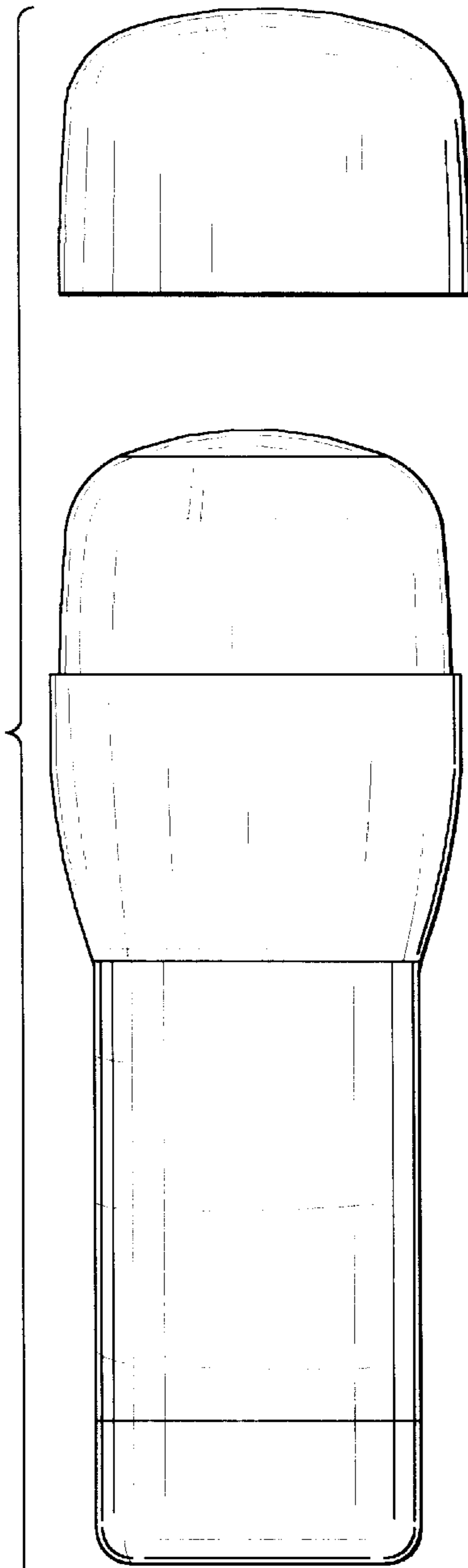


FIG. 3

