



US00D441275S

(12) **United States Design Patent**
Benzi et al.

(10) **Patent No.:** **US D441,275 S**

(45) **Date of Patent:** **** May 1, 2001**

(54) **WALL SUPPORT FOR A TELEVISION SET**

(75) Inventors: **Mario Benzi**, Lomazzo; **Gianfranco Librandi**, Turate, both of (IT)

(73) Assignees: **Tecnopiu' di Benzi Mario**, Lomazzo; **TCI S.r.l.**, Saronno, both of (IT)

(**) Term: **14 Years**

(21) Appl. No.: **29/117,585**

(22) Filed: **Jan. 31, 2000**

(30) **Foreign Application Priority Data**

Jul. 30, 1999 (IT) MI9900445

(51) **LOC (7) Cl.** **08-05**

(52) **U.S. Cl.** **D8/363**

(58) **Field of Search** D8/363, 373, 380;
D6/553, 567, 574; 248/235, 240, 309.1,
310

(56) **References Cited**

U.S. PATENT DOCUMENTS

D. 349,640	*	8/1994	Whitaker	D8/363
D. 352,652	*	11/1994	Vogels	D8/363
D. 357,406	*	4/1995	Whitaker	D8/380
D. 373,071	*	8/1996	Vogels	D8/363
D. 410,837	*	6/1999	Vogels	D8/363

* cited by examiner

Primary Examiner—Brian N. Vinson

(74) *Attorney, Agent, or Firm*—Young & Thompson

(57) **CLAIM**

The ornamental design for a wall support for a television set, as shown and described.

DESCRIPTION

FIG. 1 is a top, front and side perspective view of a first embodiment of a wall support for a television set, showing our new design;

FIG. 2 is a front perspective view thereof;

FIG. 3 is a perspective view thereof from the left of FIG. 2;

FIG. 4 is a side perspective view thereof from the right of FIG. 2;

FIG. 5 is a rear perspective view thereof;

FIG. 6 is a top perspective view thereof;

FIG. 7 is a bottom perspective view thereof;

FIG. 8 is a front and top perspective view thereof;

FIG. 9 is a front, bottom and side perspective view thereof;

FIG. 10 is a top, front and side perspective view of a second embodiment of a wall support for a television set, showing our new design;

FIG. 11 is a front perspective view thereof;

FIG. 12 is a perspective view thereof from the left of FIG. 11;

FIG. 13 is a perspective view thereof from the right of FIG. 11;

FIG. 14 is a rear perspective view thereof;

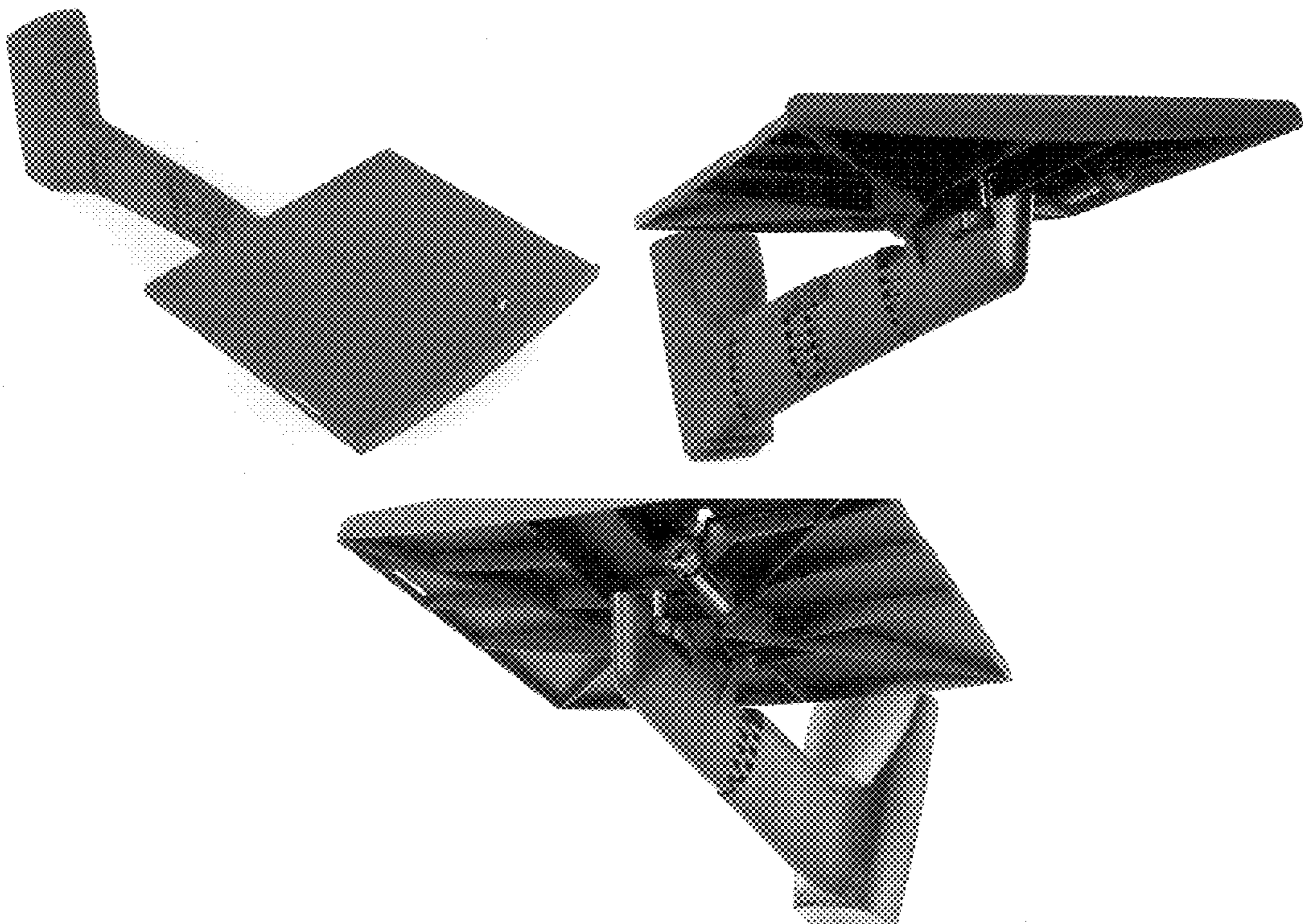
FIG. 15 is a top perspective view thereof;

FIG. 16 is a bottom perspective view thereof;

FIG. 17 is a front and top perspective view thereof; and,

FIG. 18 is a front, bottom and side perspective view thereof.

1 Claim, 9 Drawing Sheets



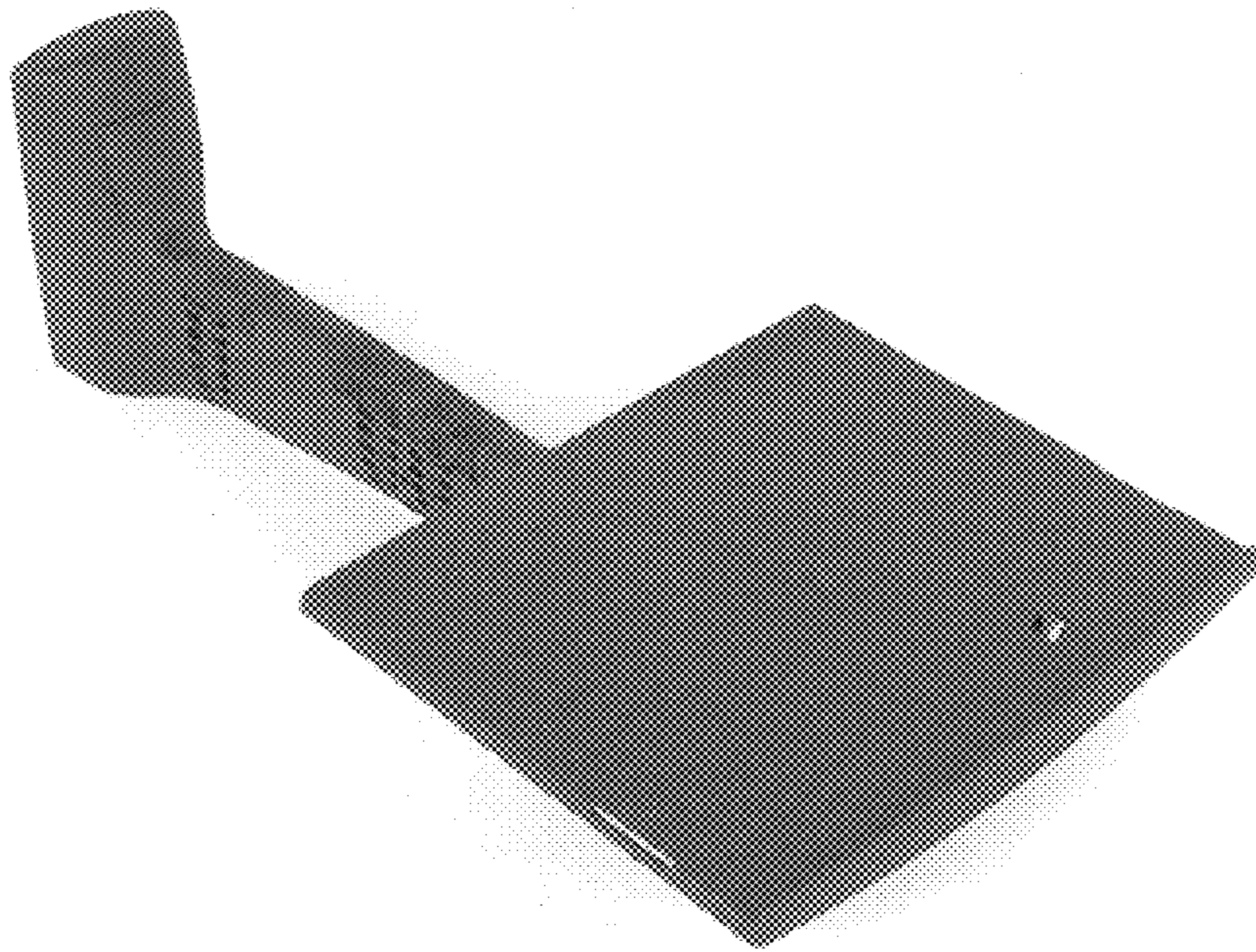


FIG. 1

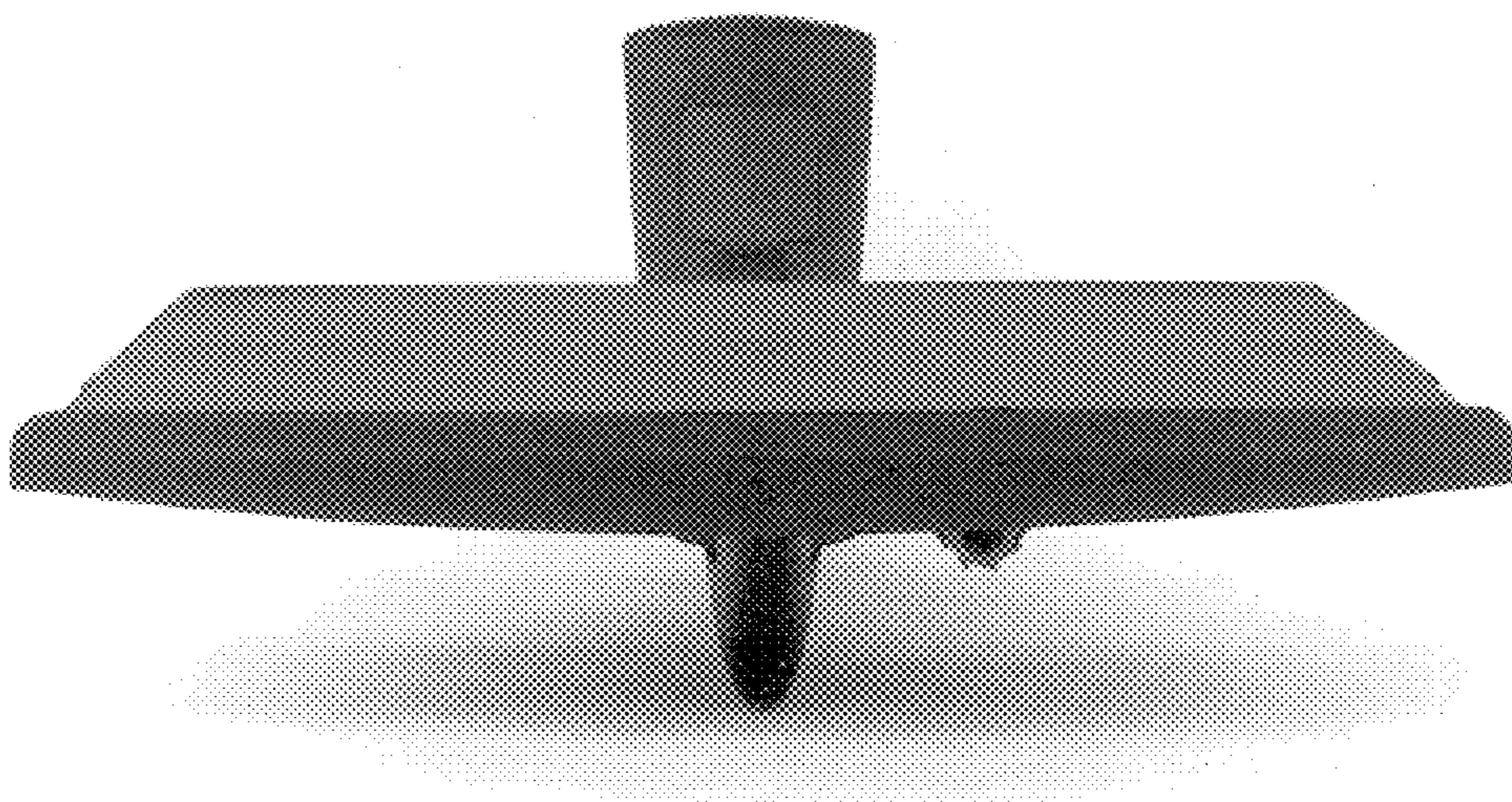


FIG. 2

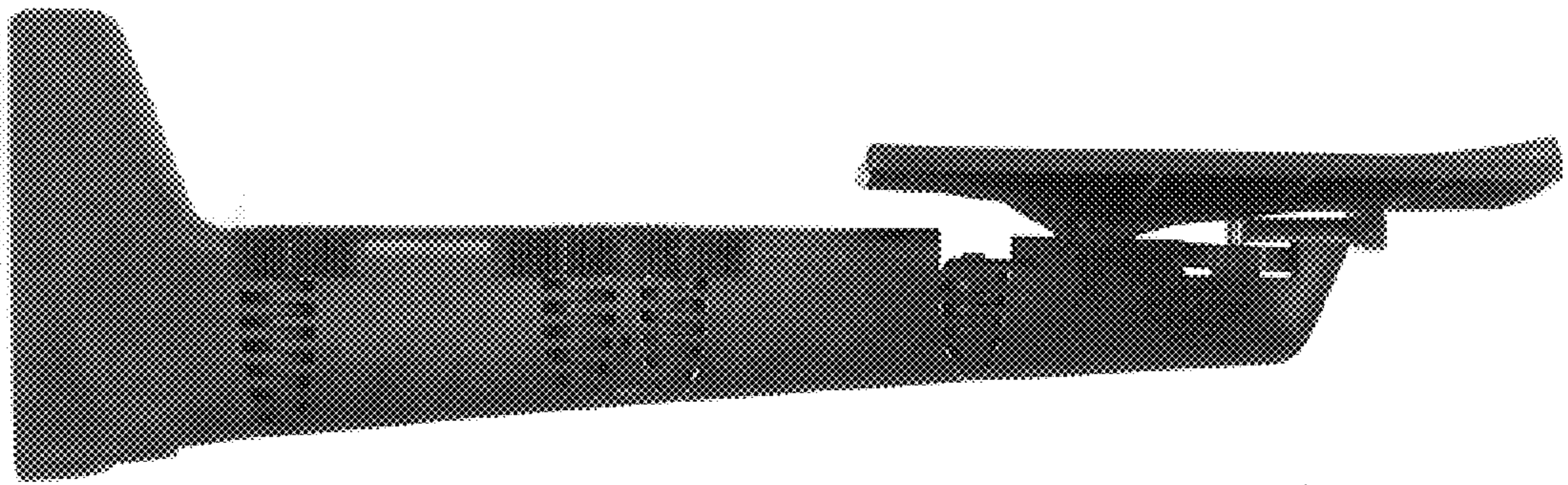


FIG. 3

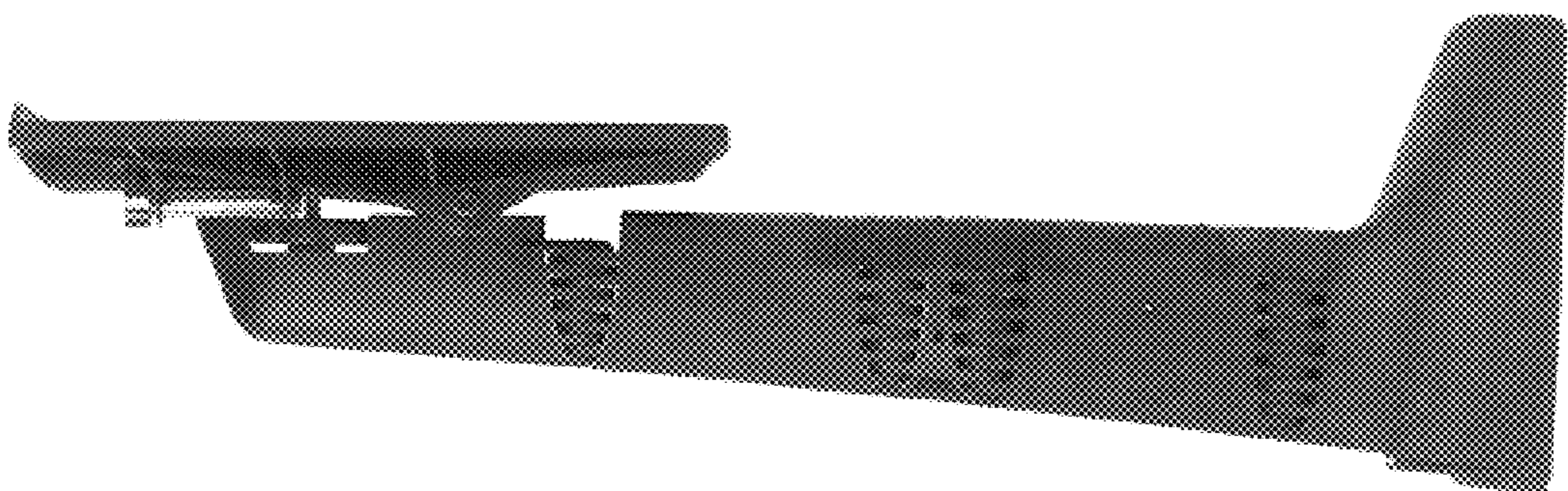


FIG. 4

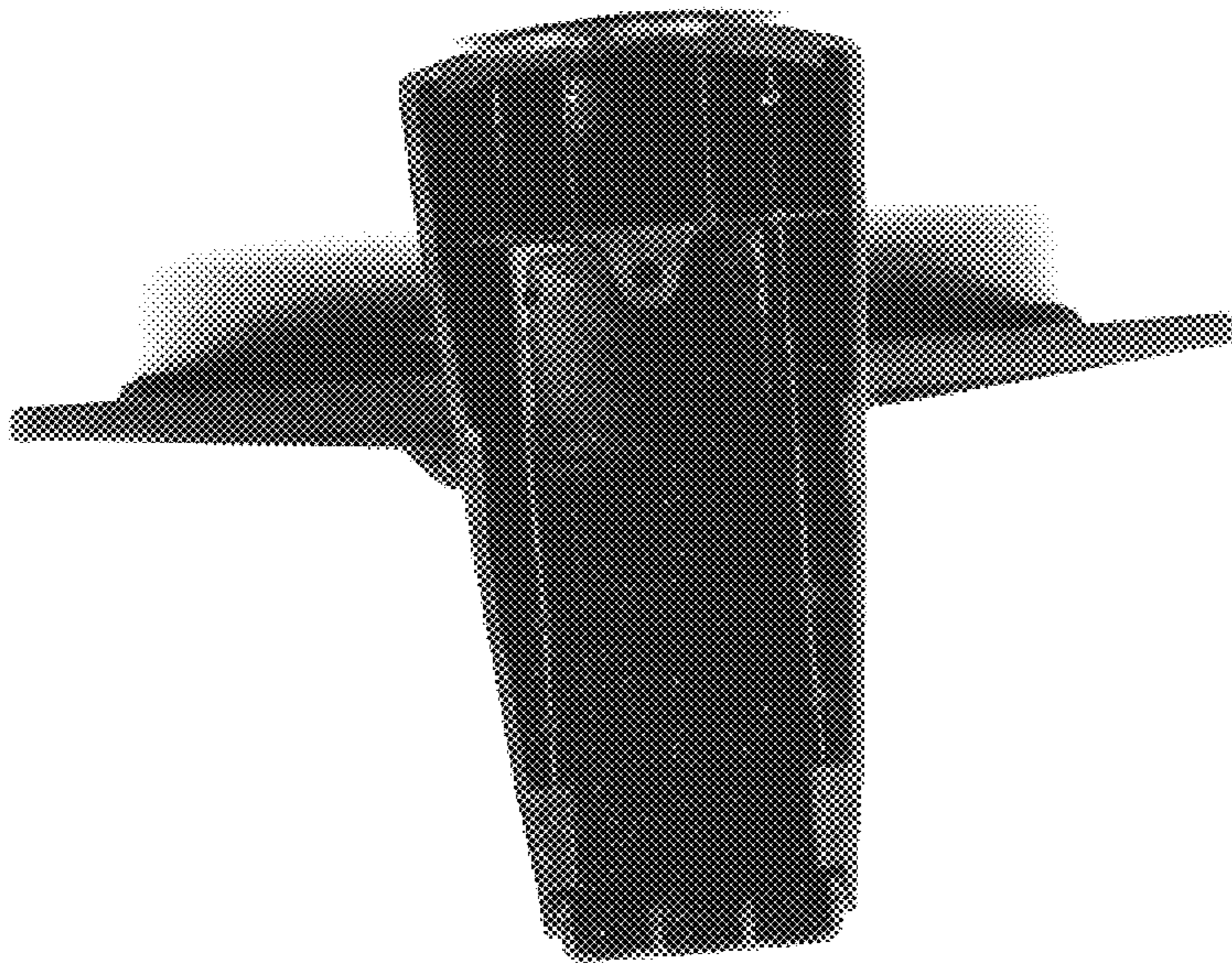


FIG. 5

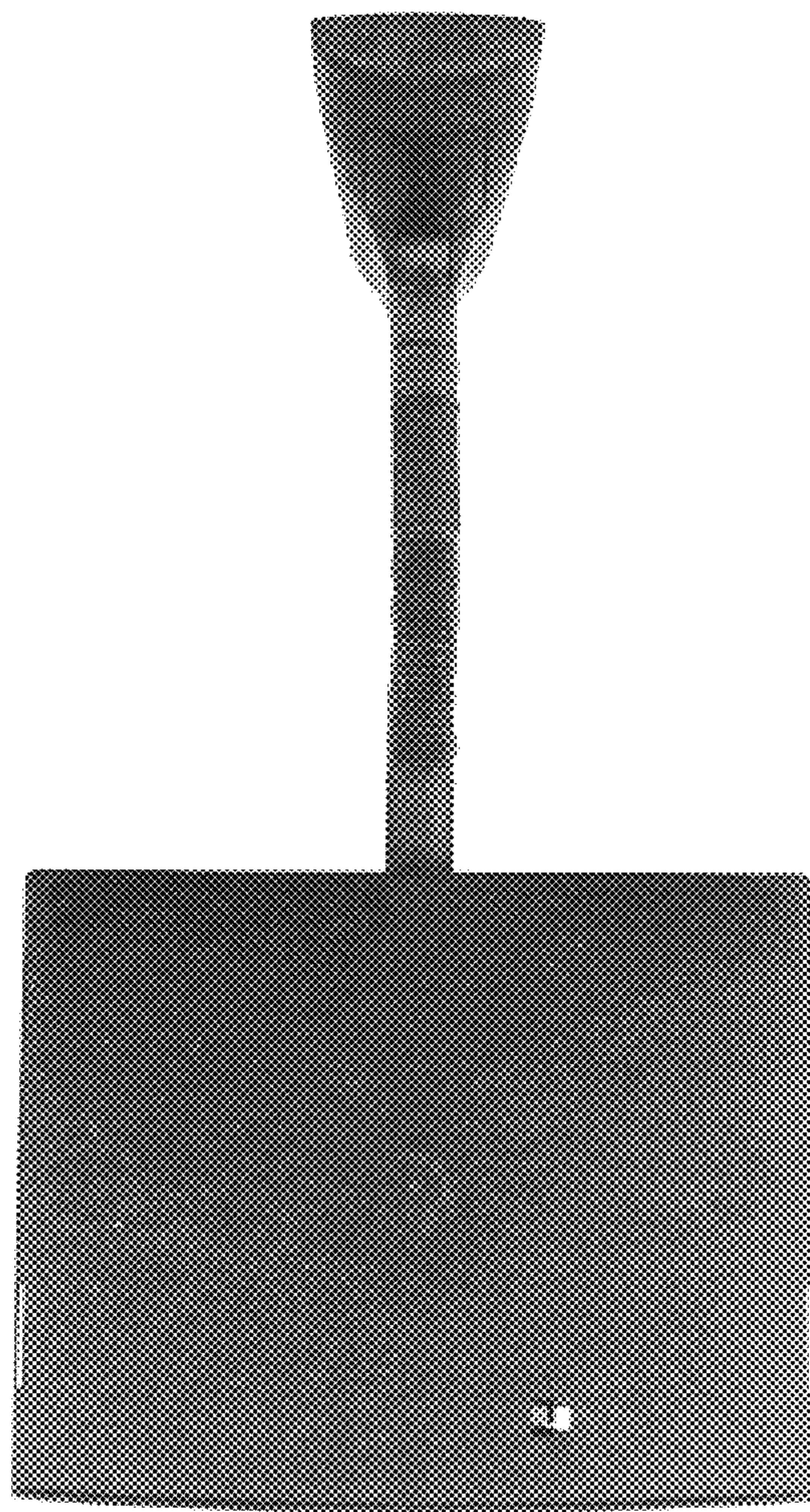


FIG. 6

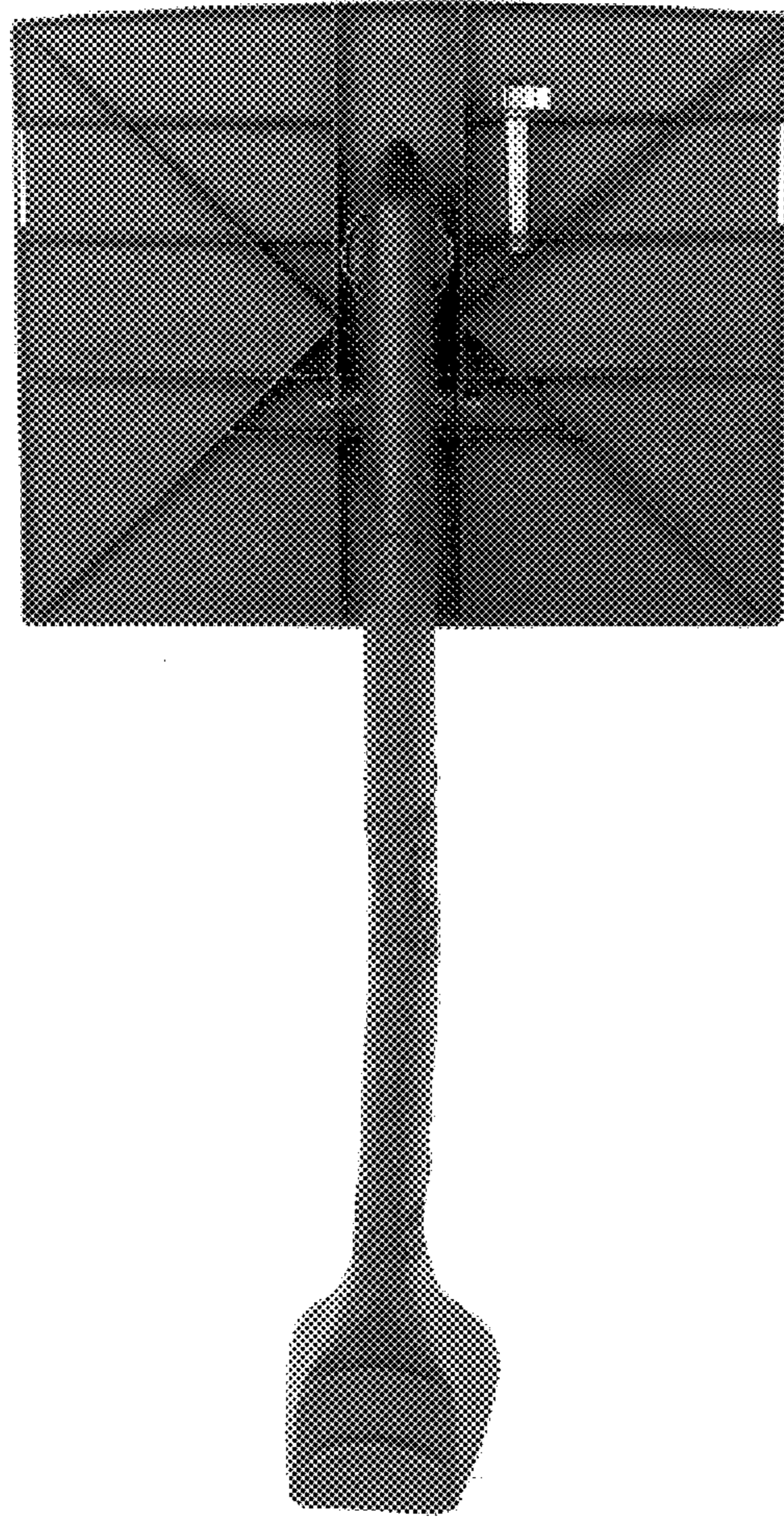


FIG. 7



FIG. 8

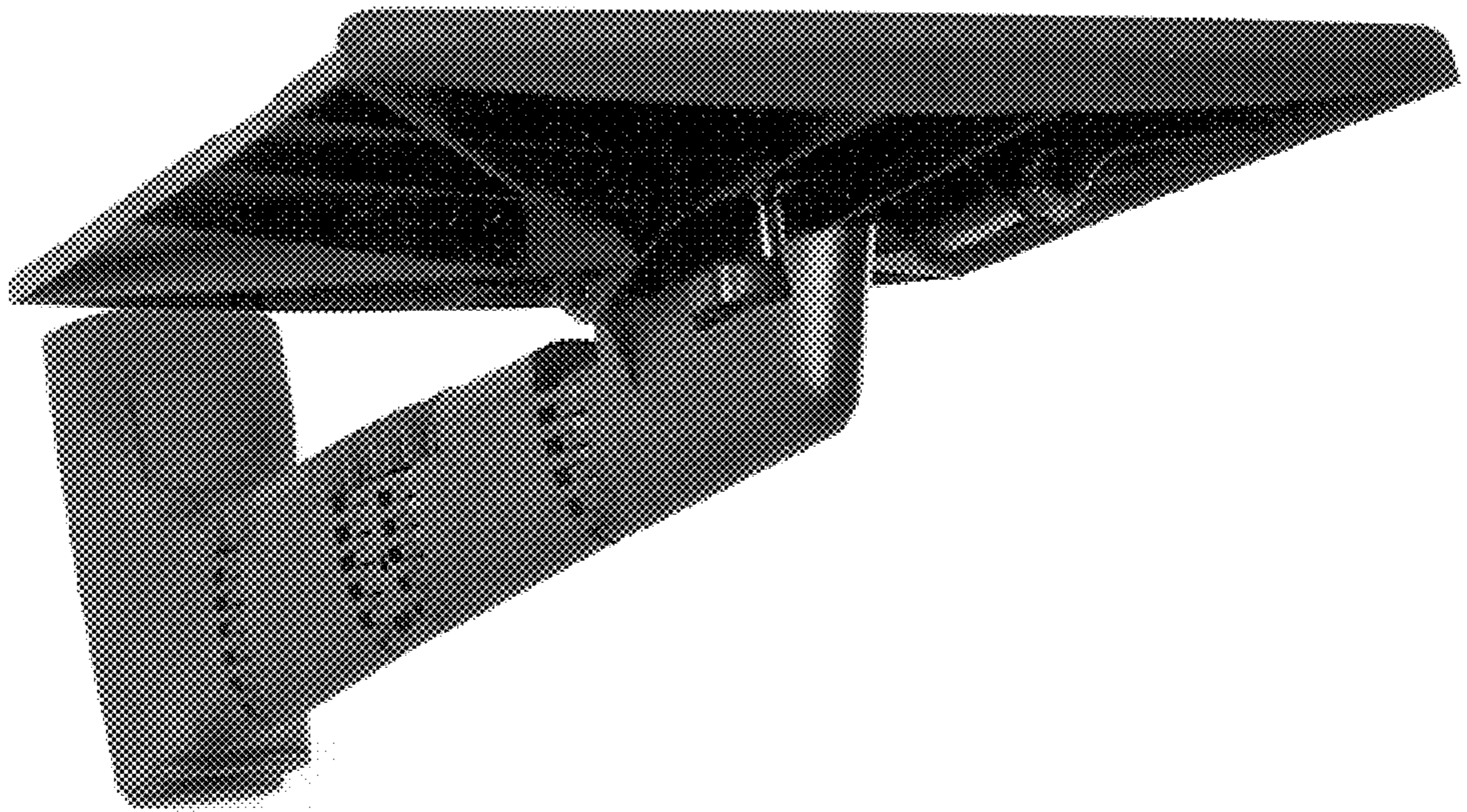


FIG. 9

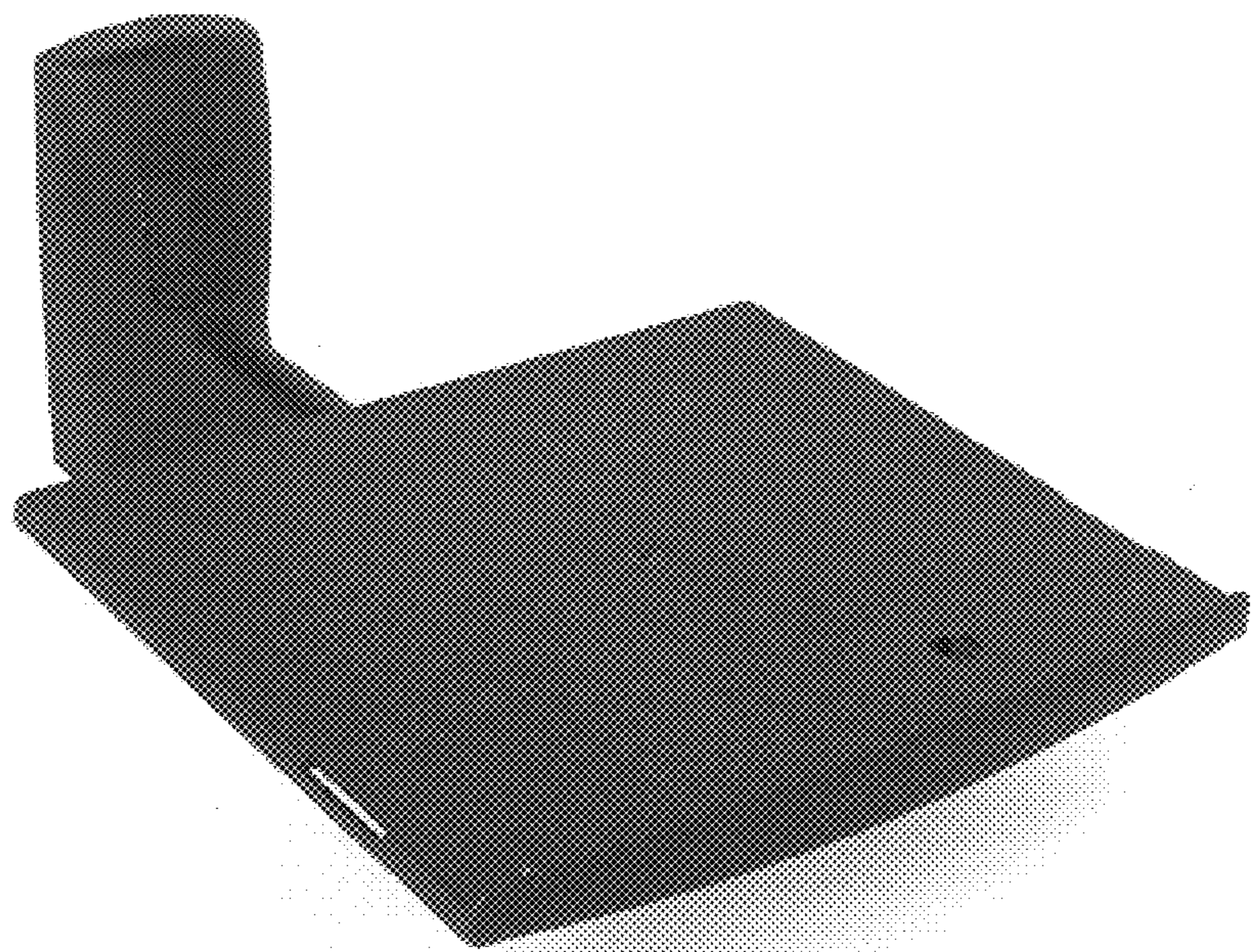


FIG. 10

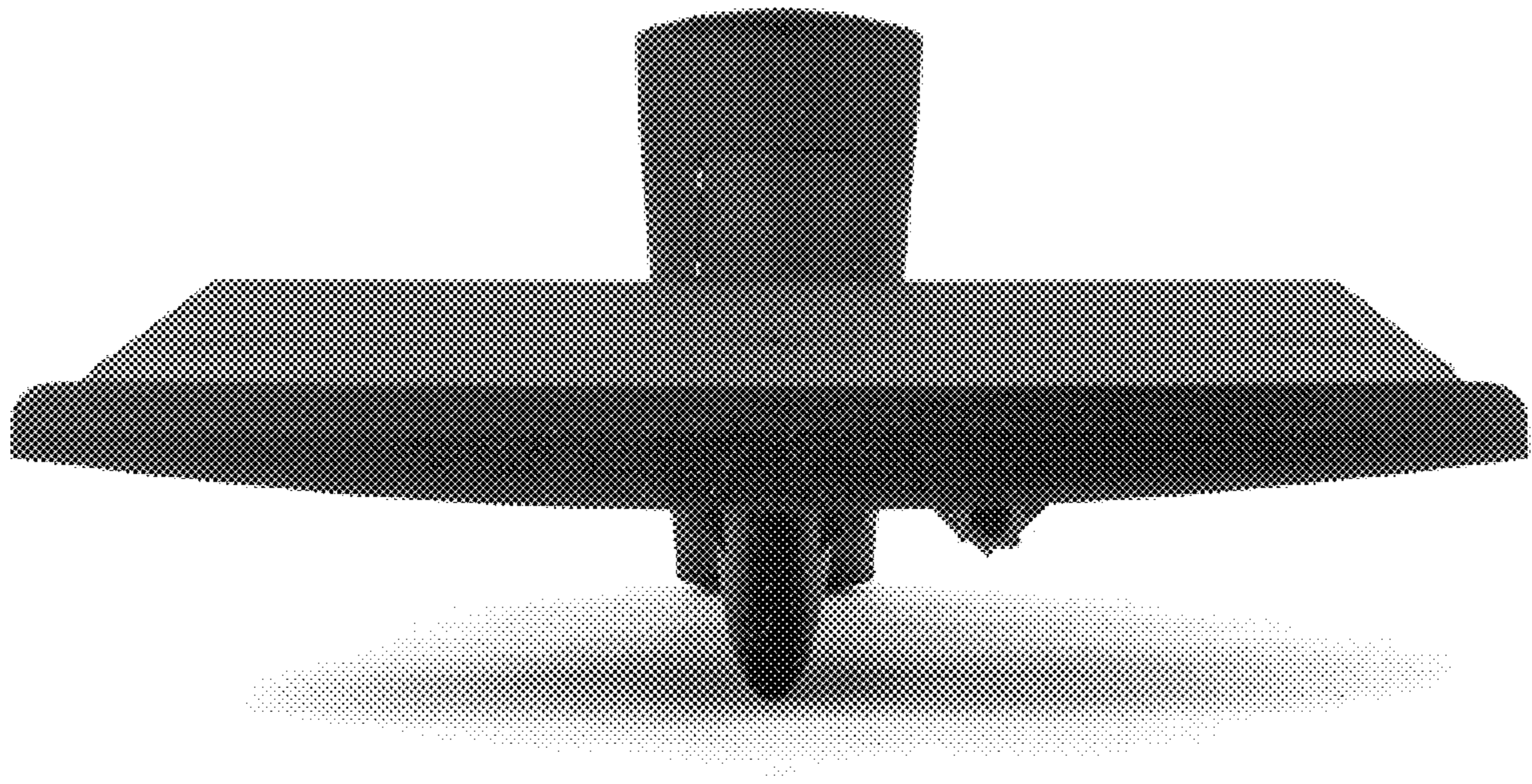


FIG. 11

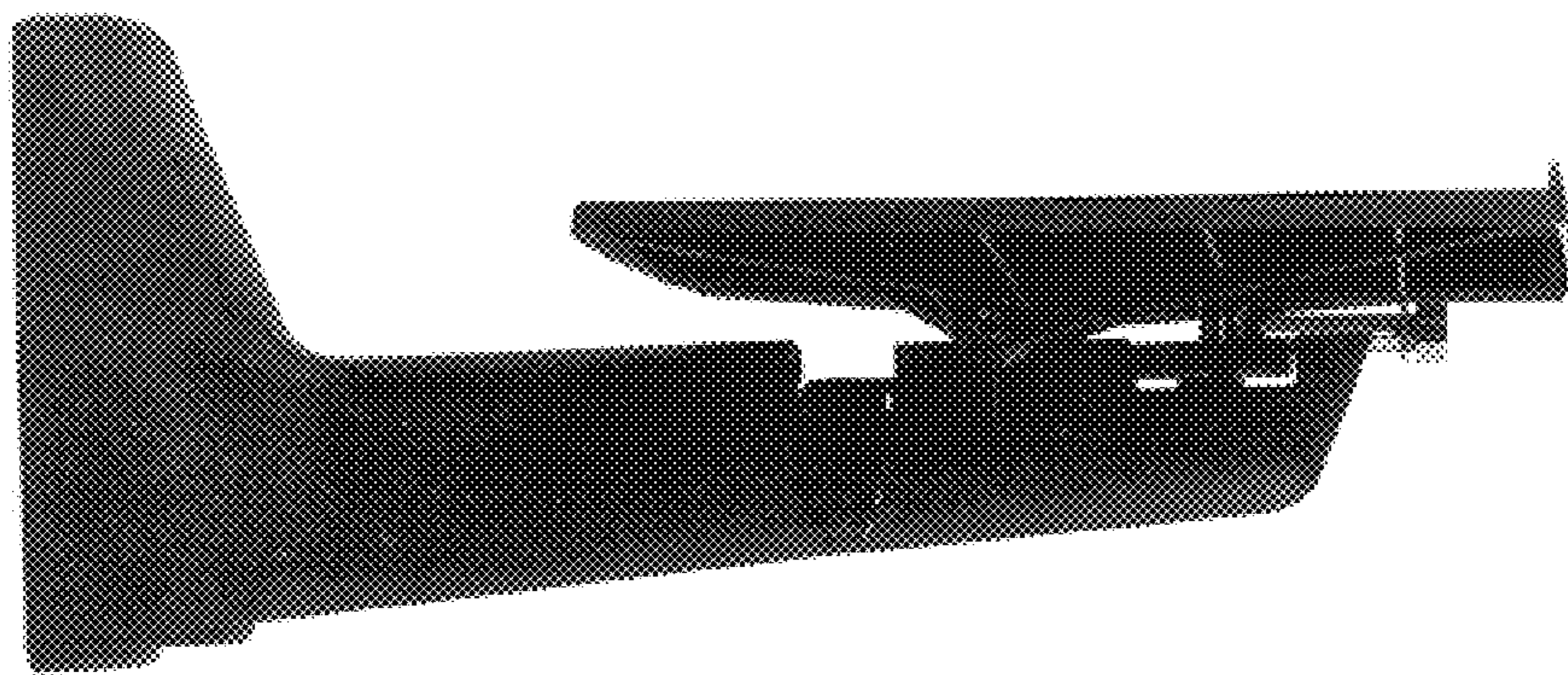


FIG. 12

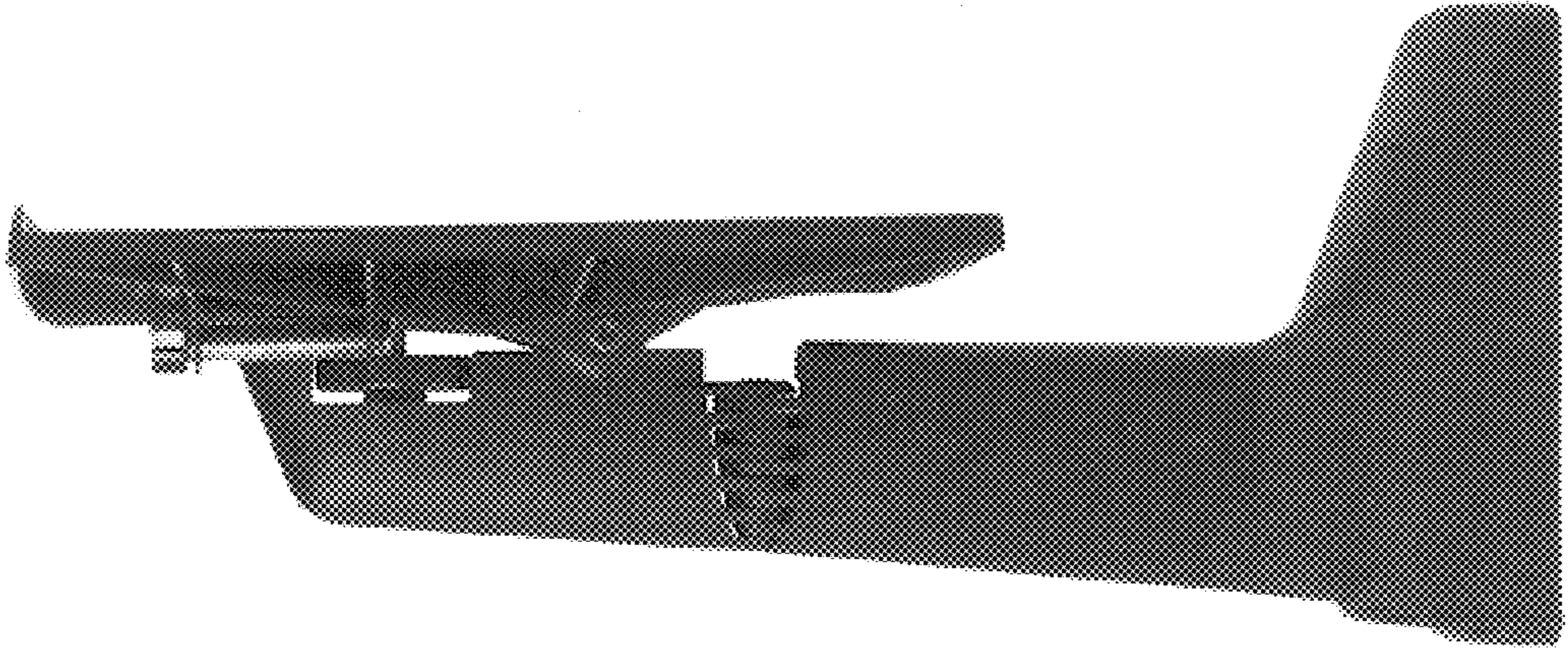


FIG. 13

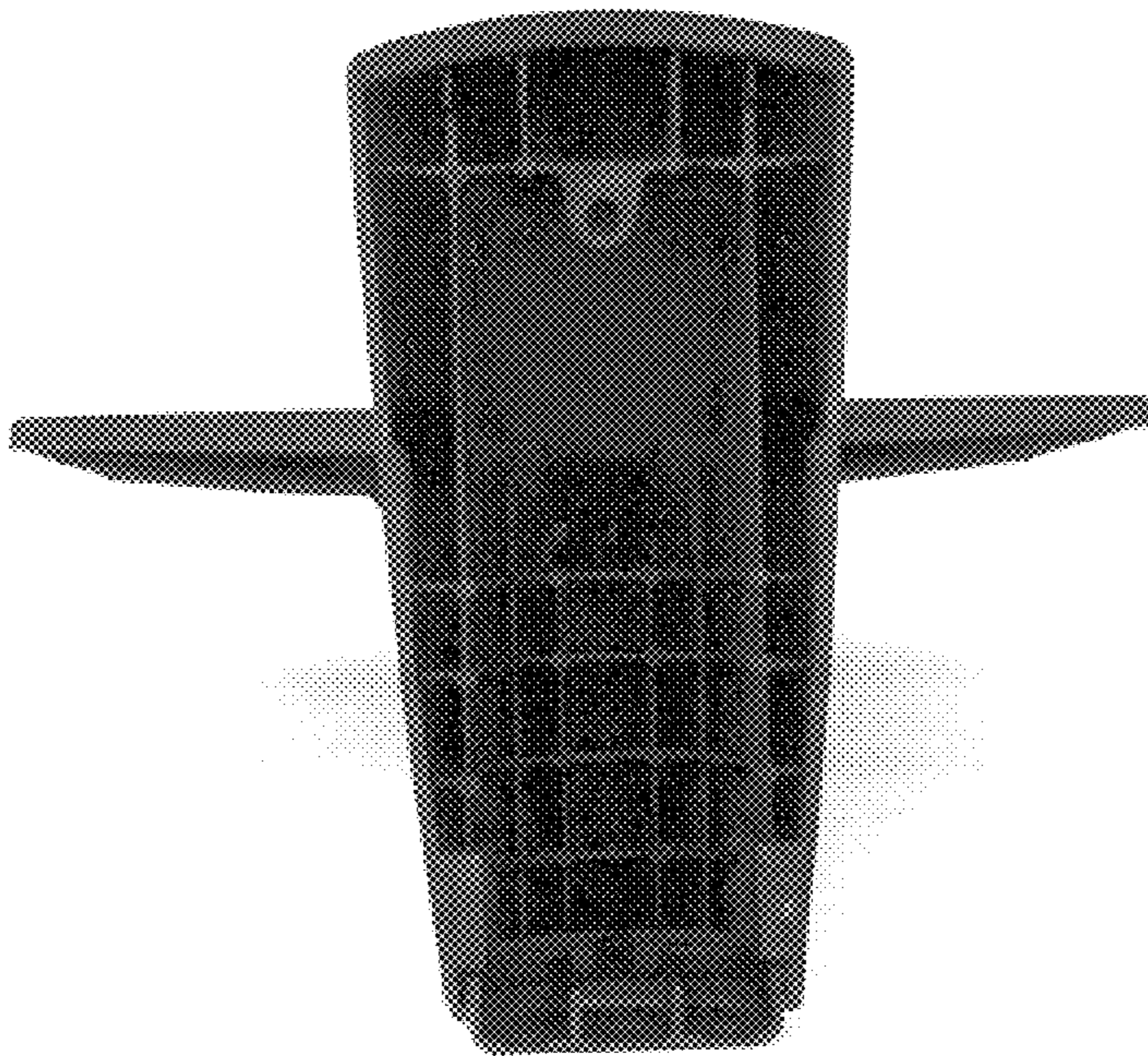


FIG. 14

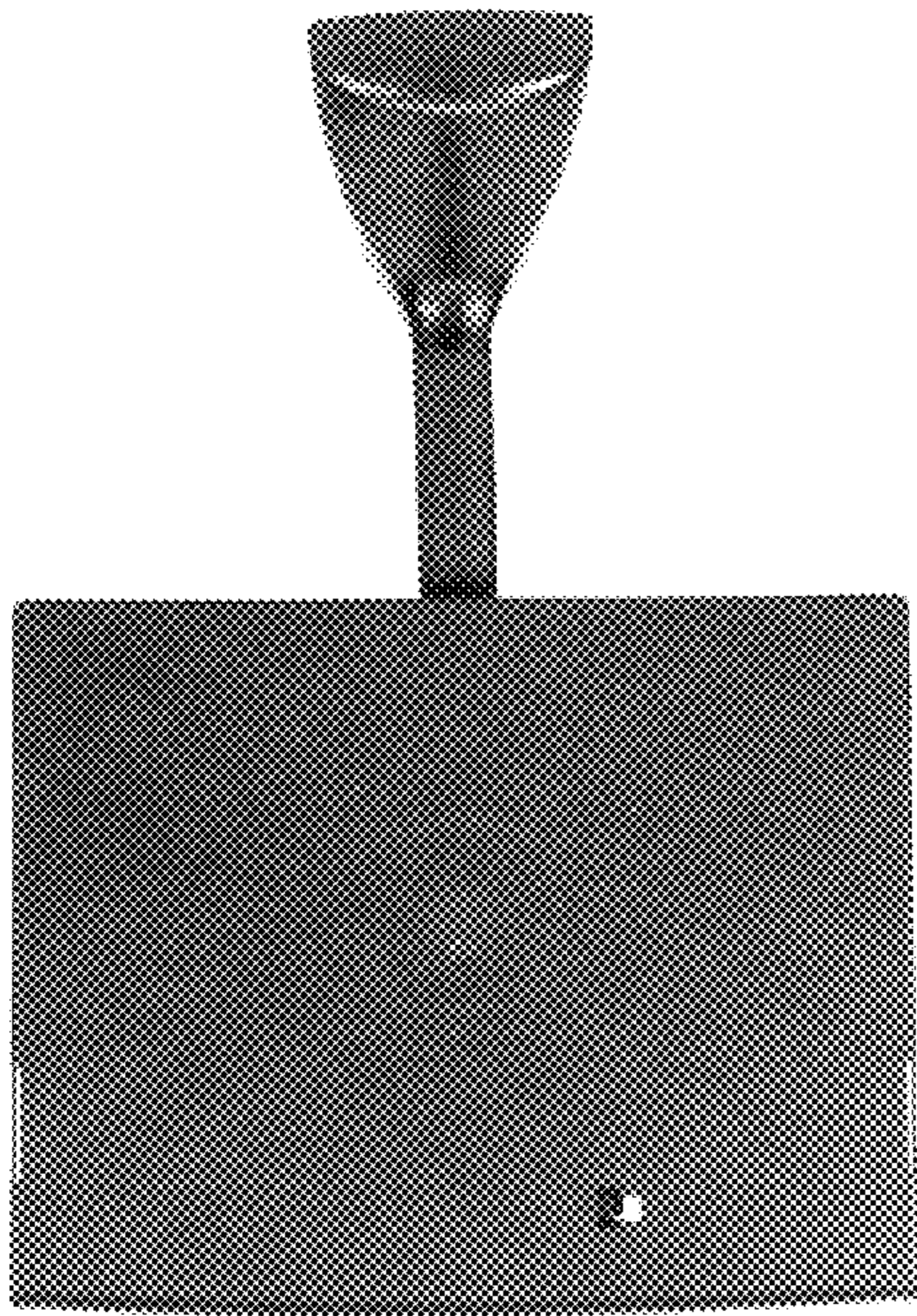


FIG. 15

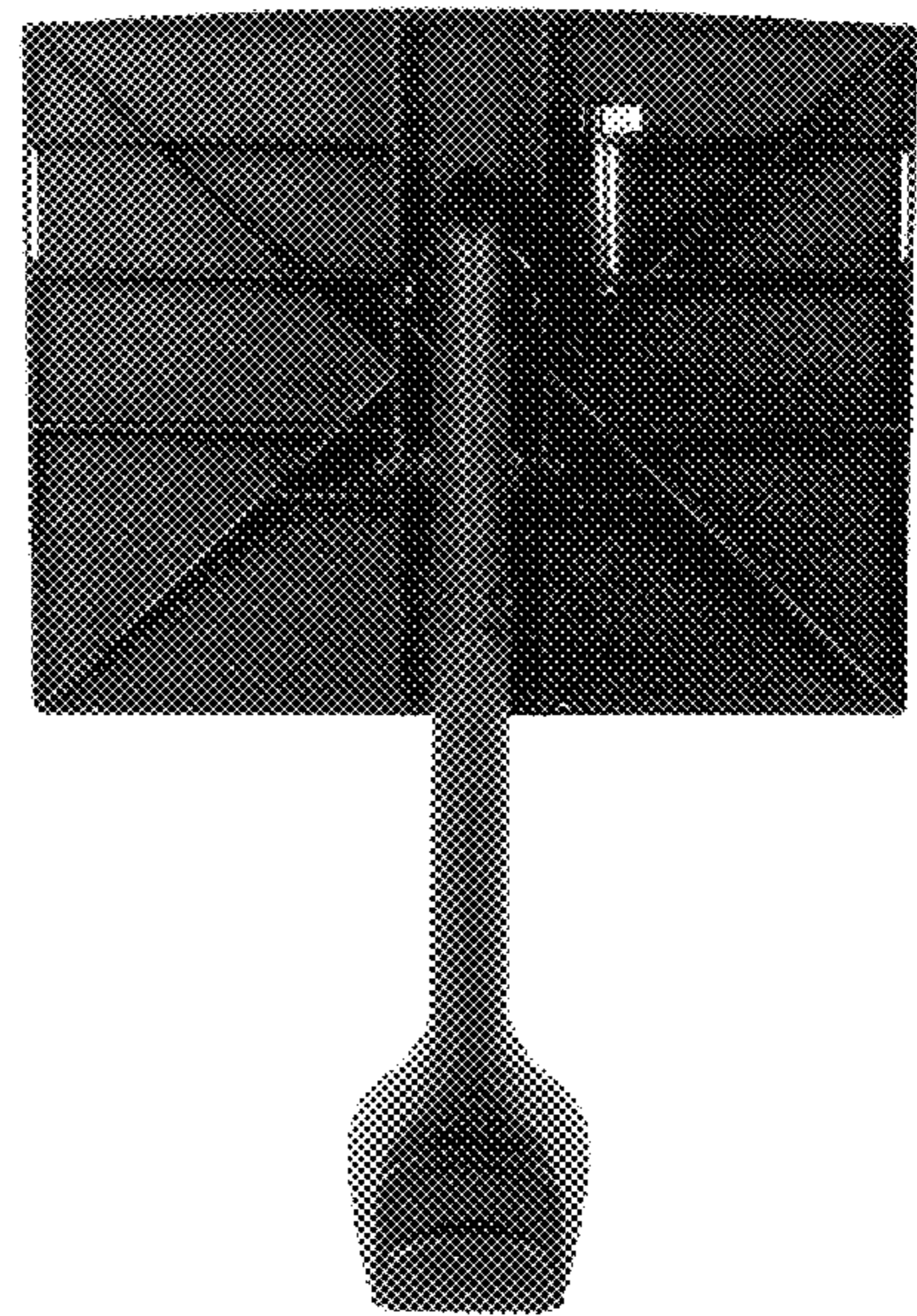


FIG. 16

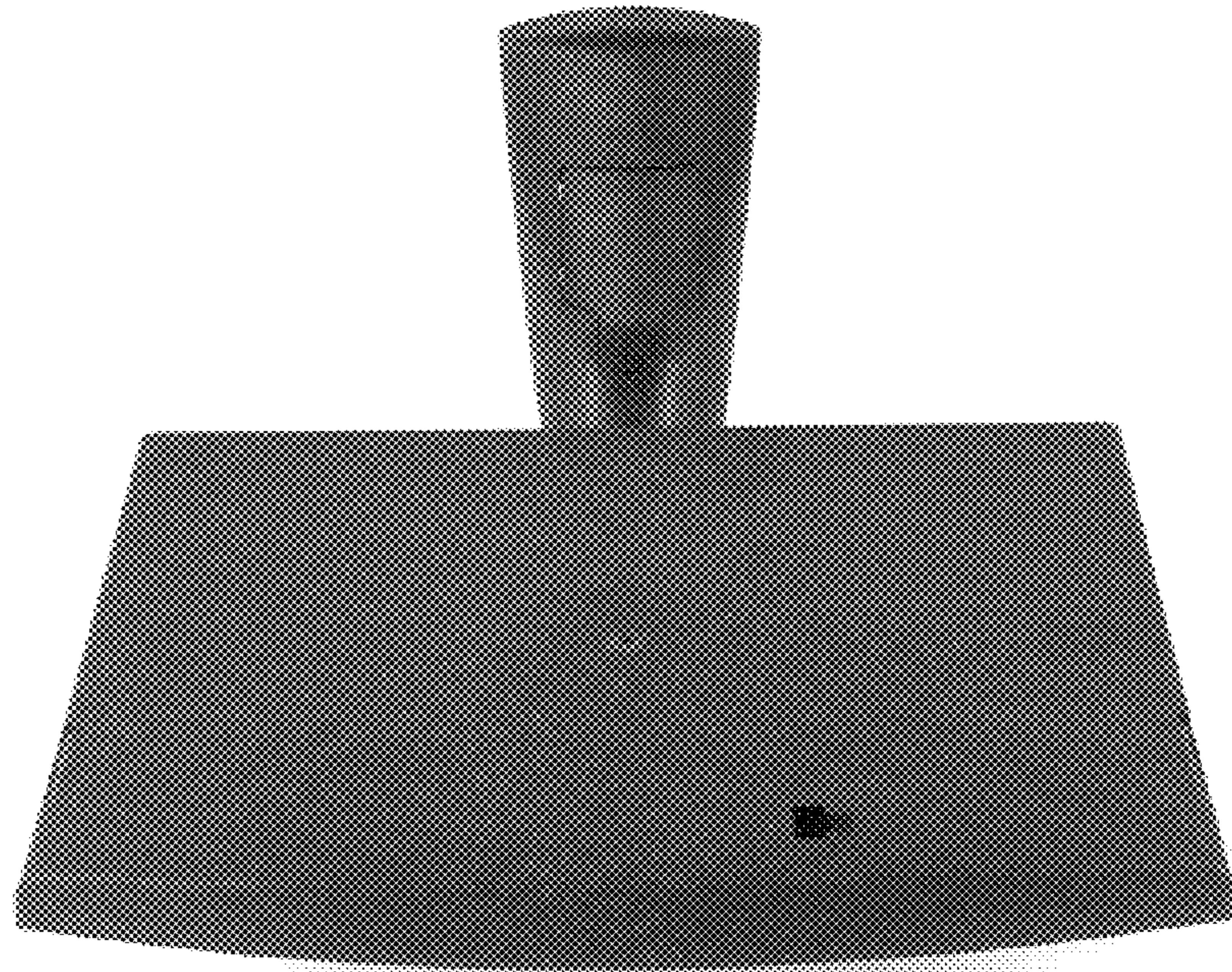


FIG. 17

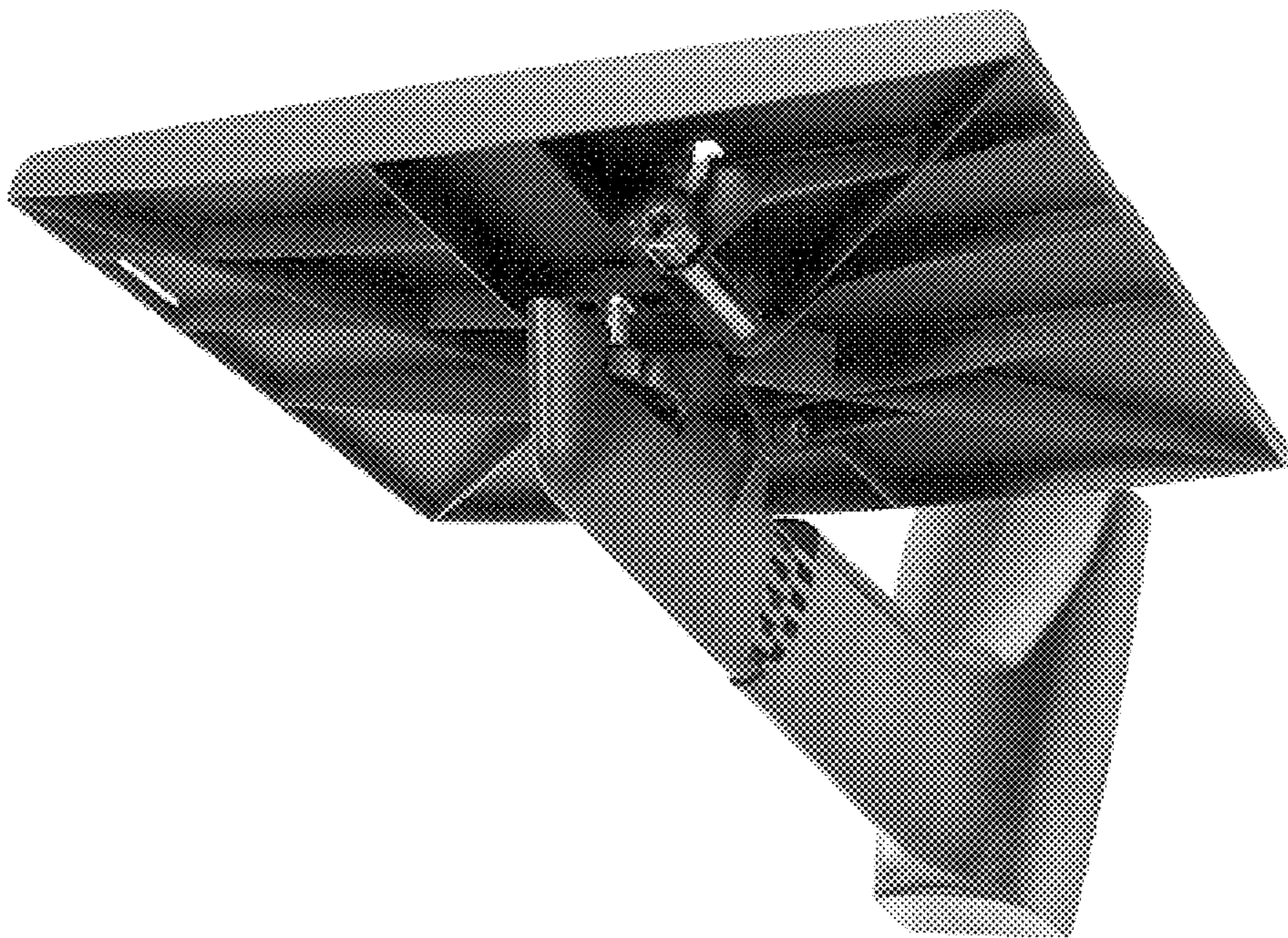


FIG. 18