



US00D441274S

(12) **United States Design Patent**  
**Kim**

(10) **Patent No.:** **US D441,274 S**

(45) **Date of Patent:** **\*\* May 1, 2001**

(54) **FRAME SUPPORT SWIVEL BRACKET**

(75) Inventor: **Jane Kim**, San Francisco, CA (US)

(73) Assignee: **Williams Sonoma, Inc.**, San Francisco, CA (US)

(\*\*) Term: **14 Years**

(21) Appl. No.: **29/122,478**

(22) Filed: **Apr. 27, 2000**

(51) **LOC (7) Cl.** ..... **08-05**

(52) **U.S. Cl.** ..... **D8/354**

(58) **Field of Search** ..... D8/349, 354, 355;  
248/300, 200, 224.7, 309.1, 316.8

(56) **References Cited**

**U.S. PATENT DOCUMENTS**

D. 318,590 \* 7/1991 McKeone ..... D8/354 X

\* cited by examiner

*Primary Examiner*—Holly Baynham

(74) *Attorney, Agent, or Firm*—Janis Biksa

(57) **CLAIM**

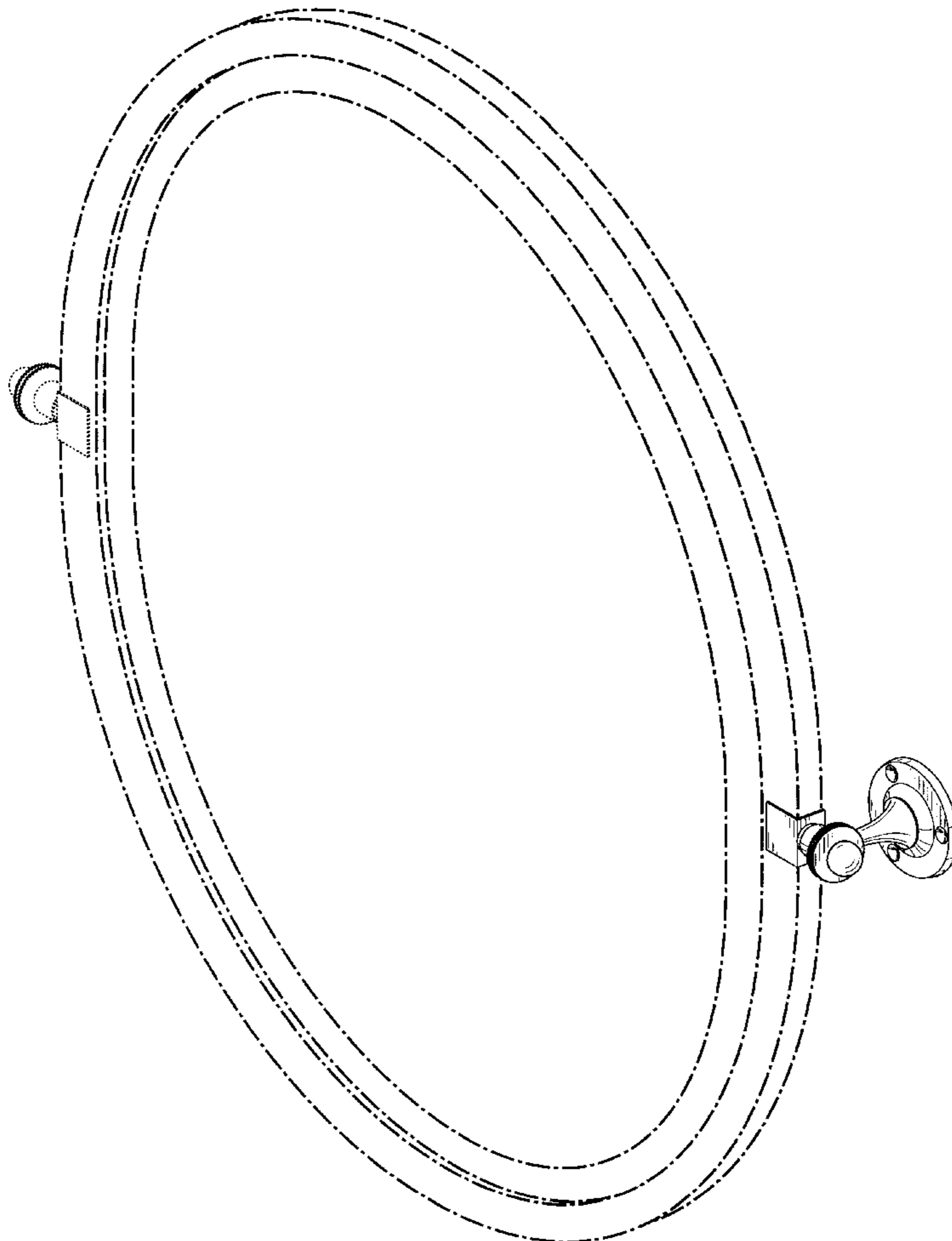
The ornamental design for a “frame support swivel bracket”, as shown and described.

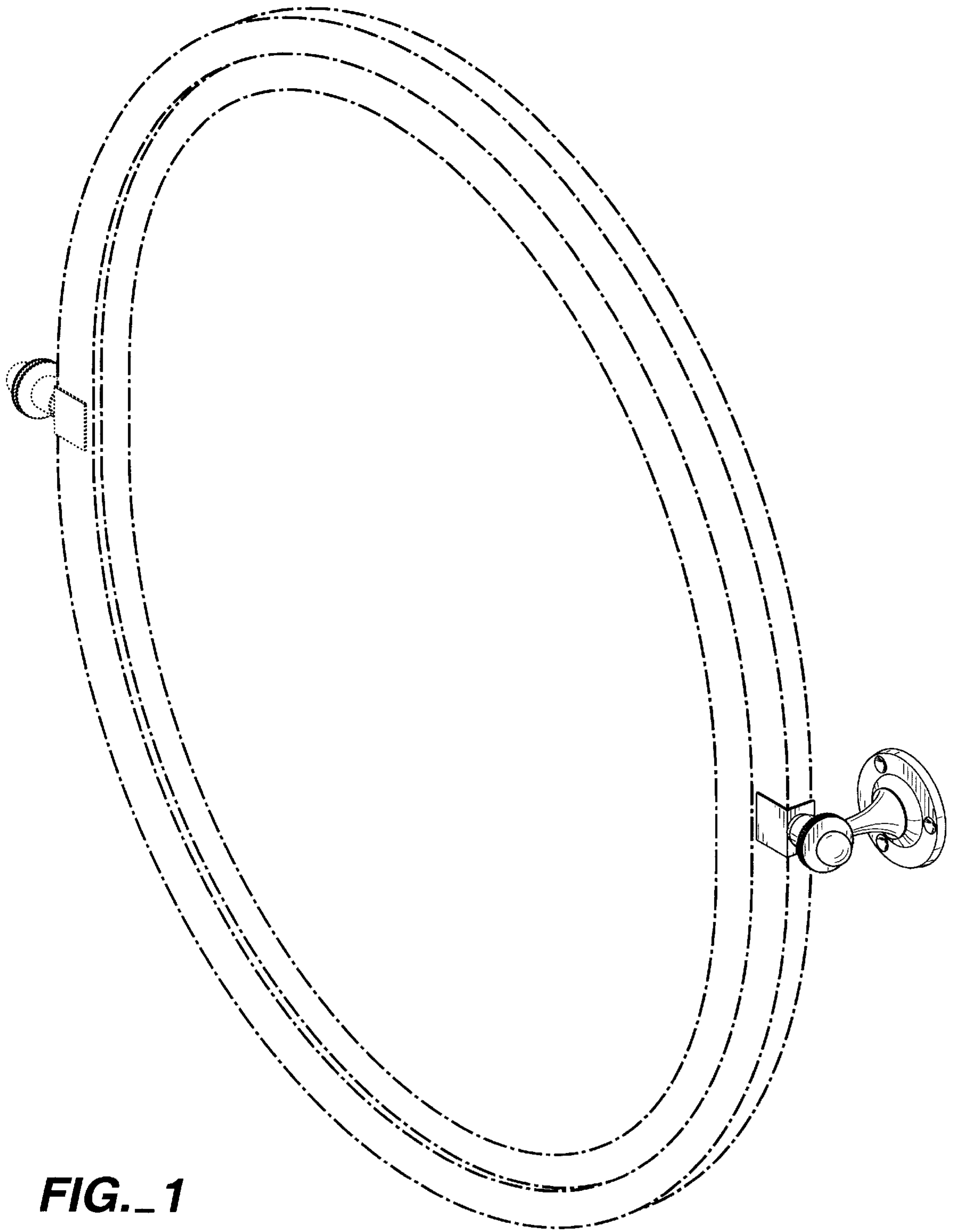
**DESCRIPTION**

FIG. 1 is an environmental perspective view of a frame support swivel bracket showing my new design;  
FIG. 2 is an enlarged perspective view of one item according to the design shown in FIG. 1;  
FIG. 3 is an enlarged perspective view of the design of FIG. 2 shown rotated 180° around the centerline of its base;  
FIG. 4 is a front view of the design of FIG. 2;  
FIG. 5 is a right side view of FIG. 2;  
FIG. 6 is a back view of FIG. 2;  
FIG. 7 is a left side view of FIG. 2;  
FIG. 8 is a bottom view of FIG. 2, the top view being a mirror image thereof; and,  
FIG. 9 is a another environmental perspective view thereof.  
FIG. 10 is a reduced, enviornmental right side elevational view.

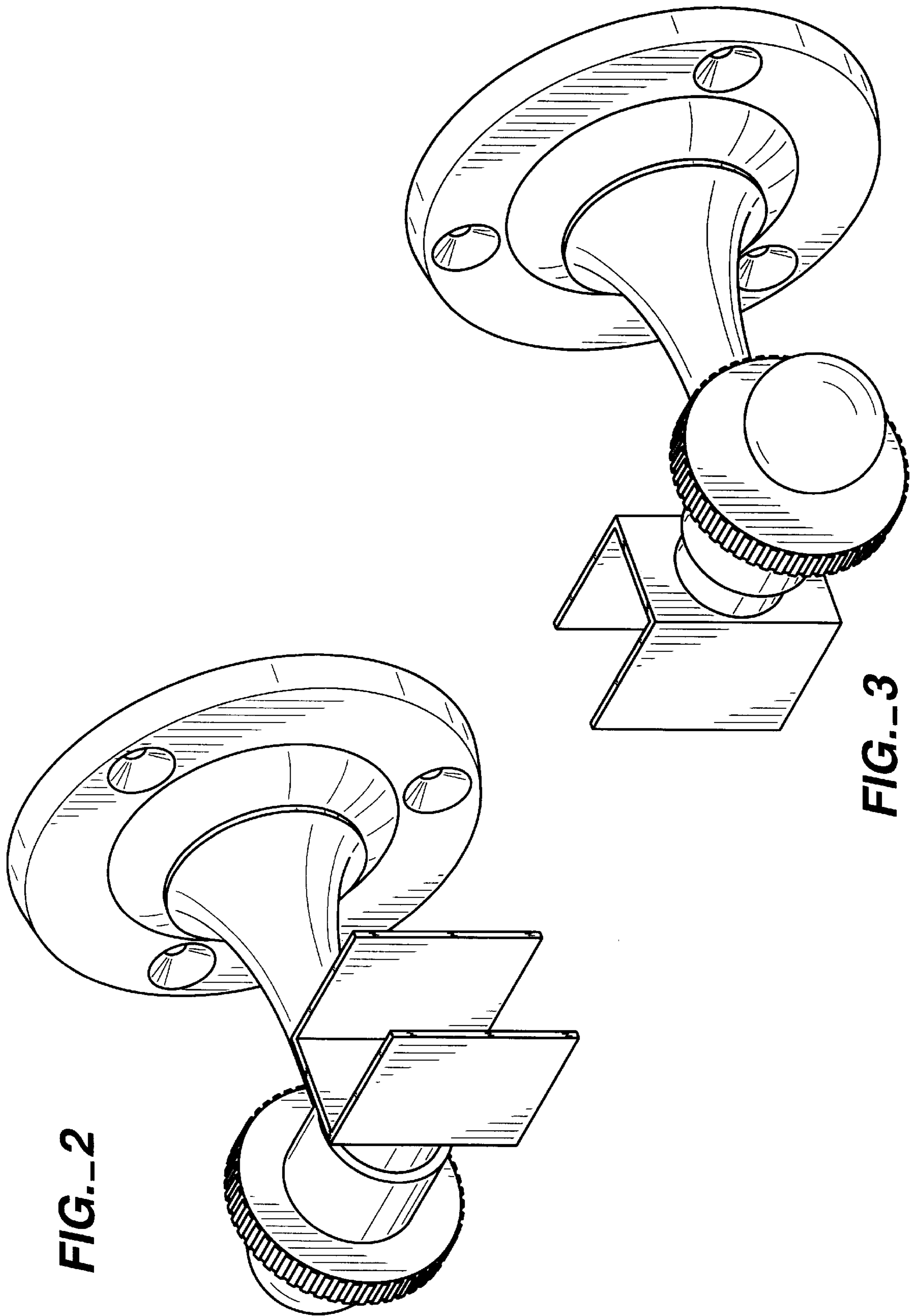
The broken lines showing oval and square frames and an additional bracket are for illustrative purposes only and no part of the claimed design.

**1 Claim, 5 Drawing Sheets**



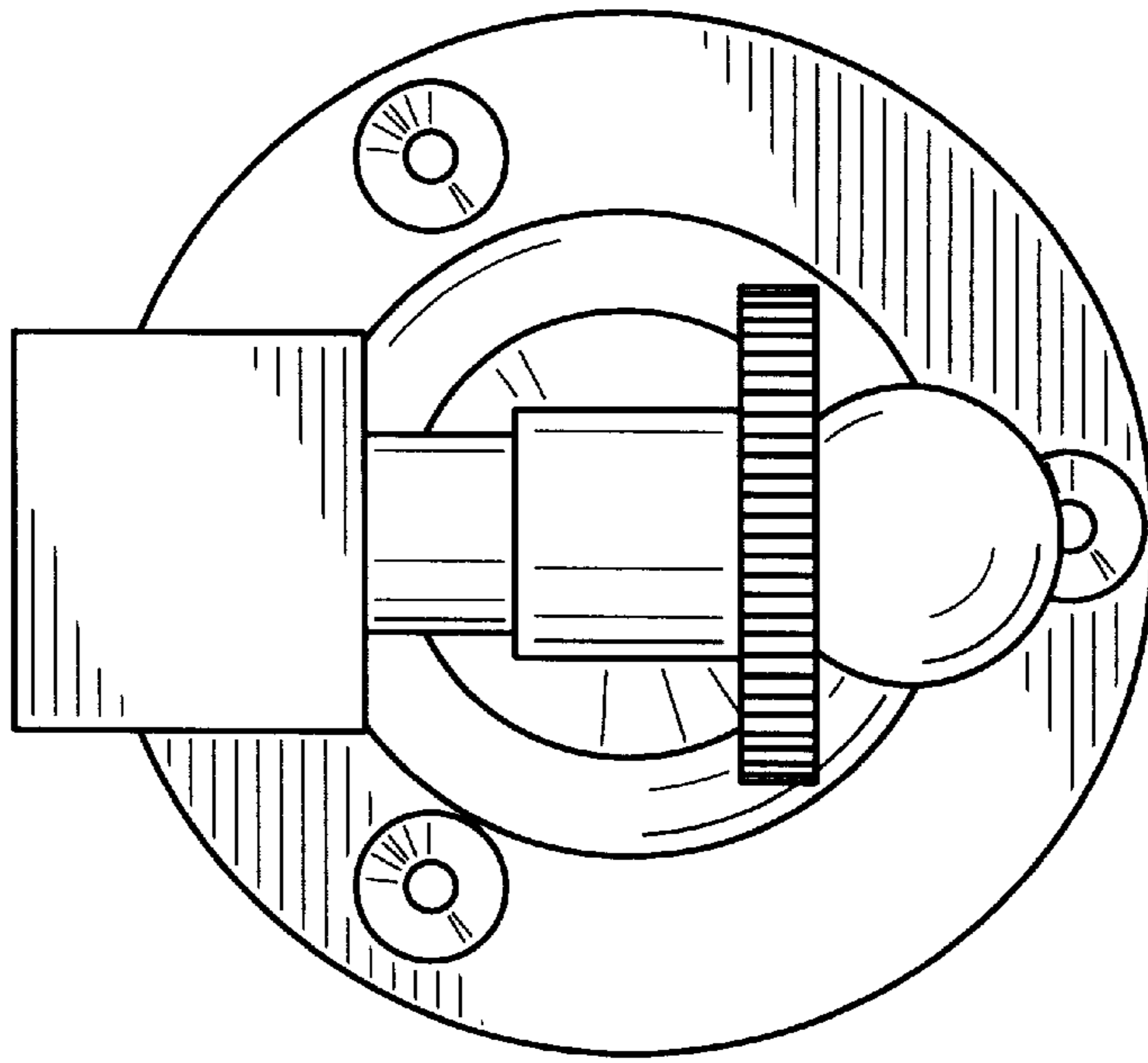


**FIG. 1**

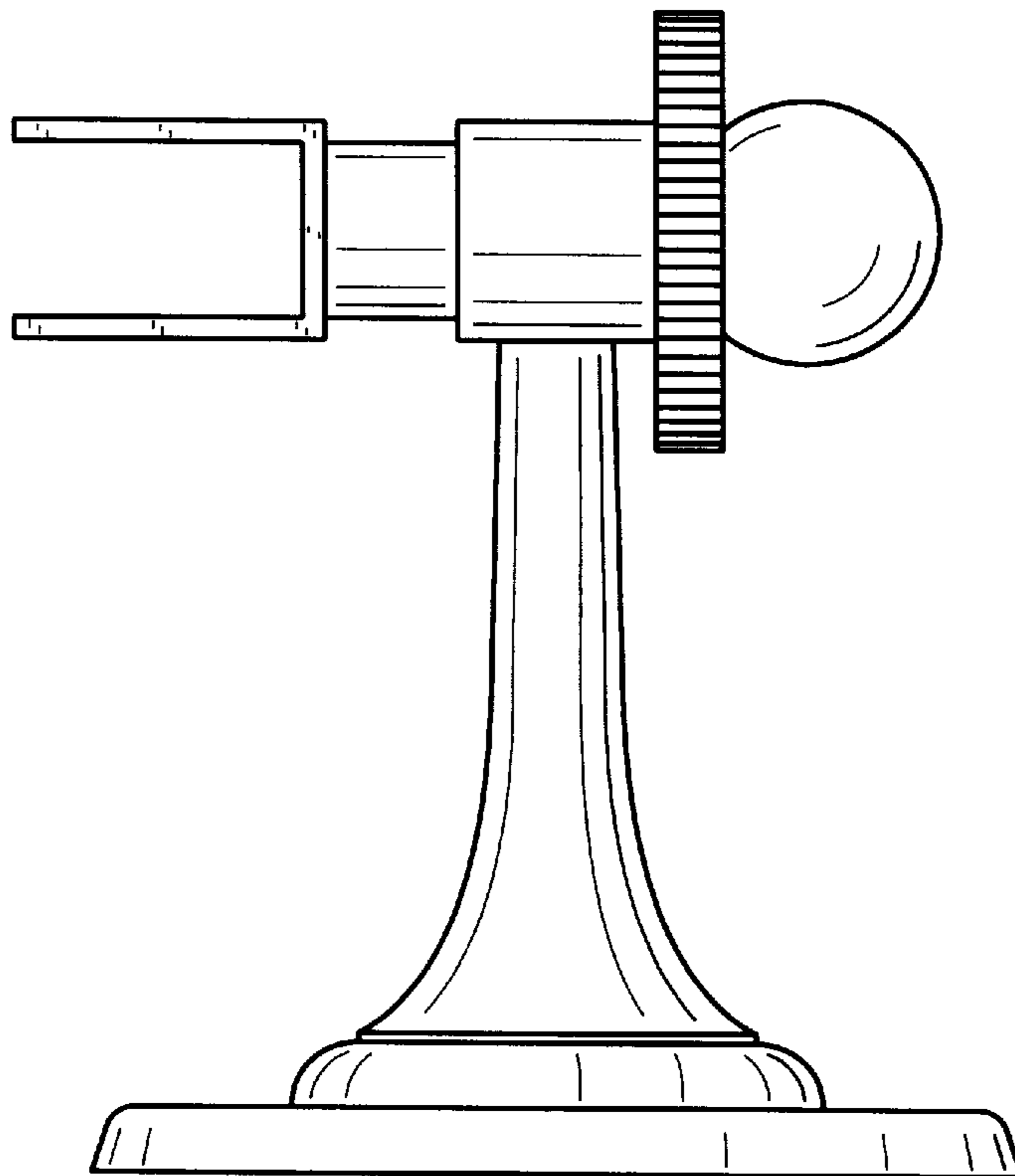


**FIG.-2**

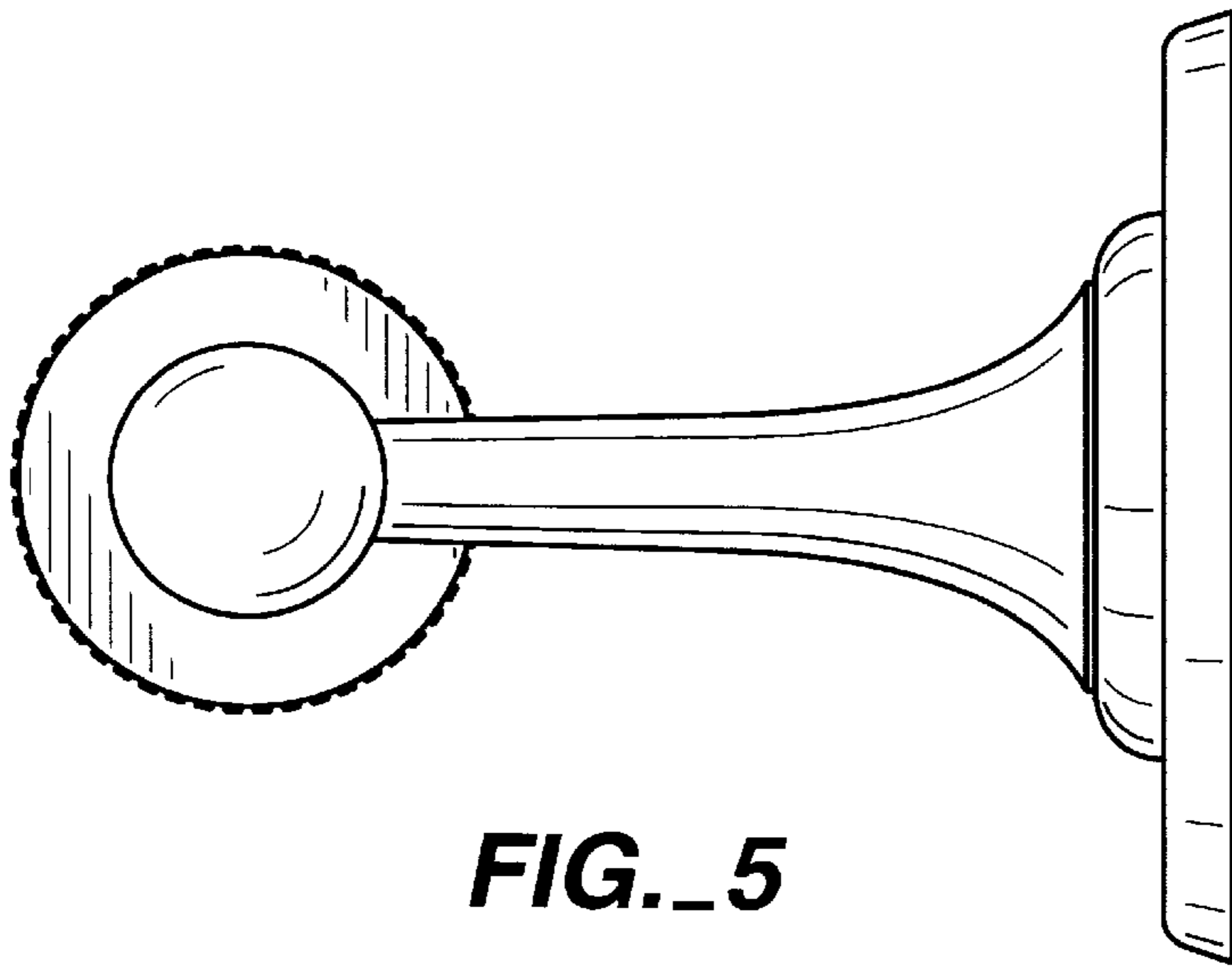
**FIG.-3**



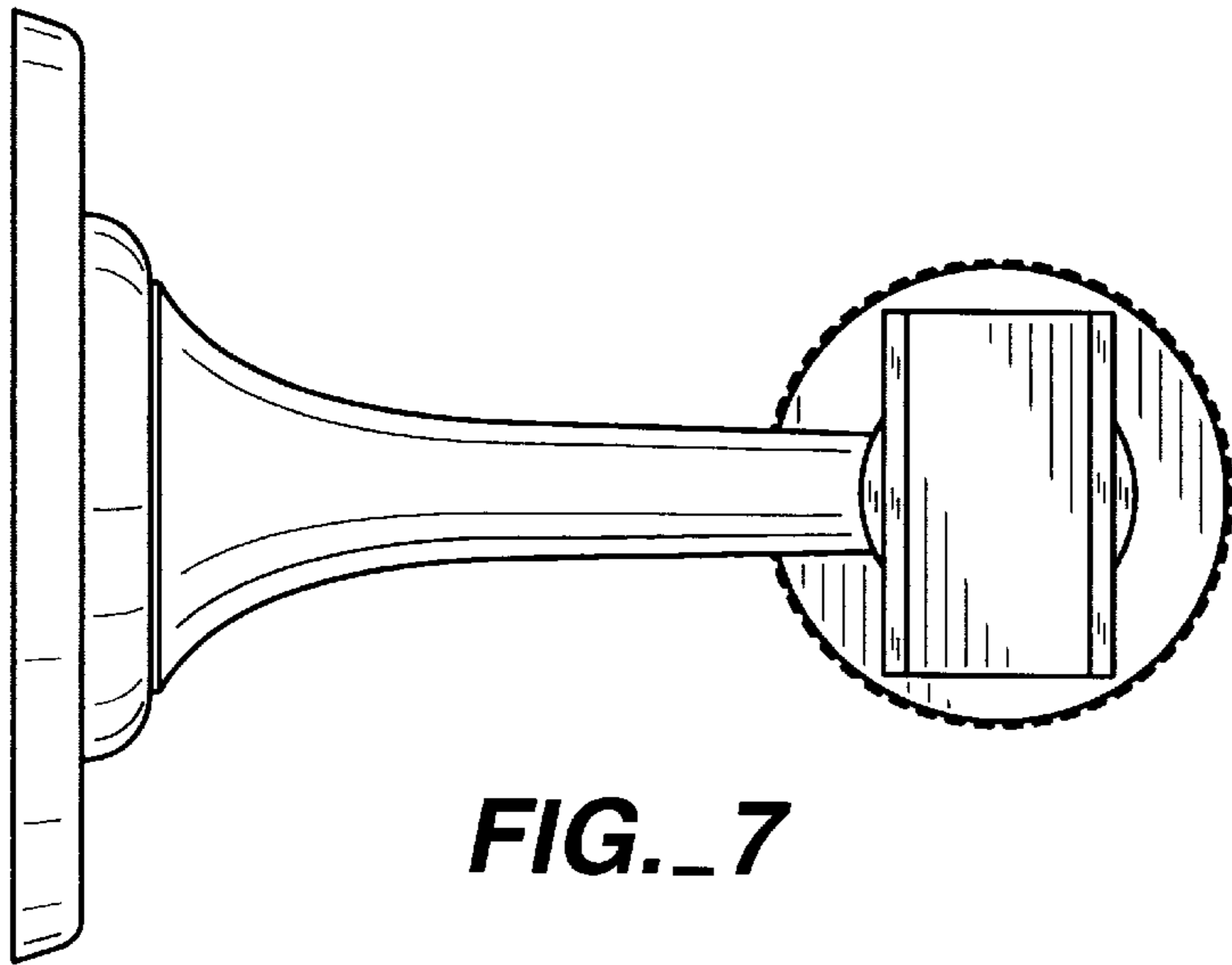
**FIG. 4**



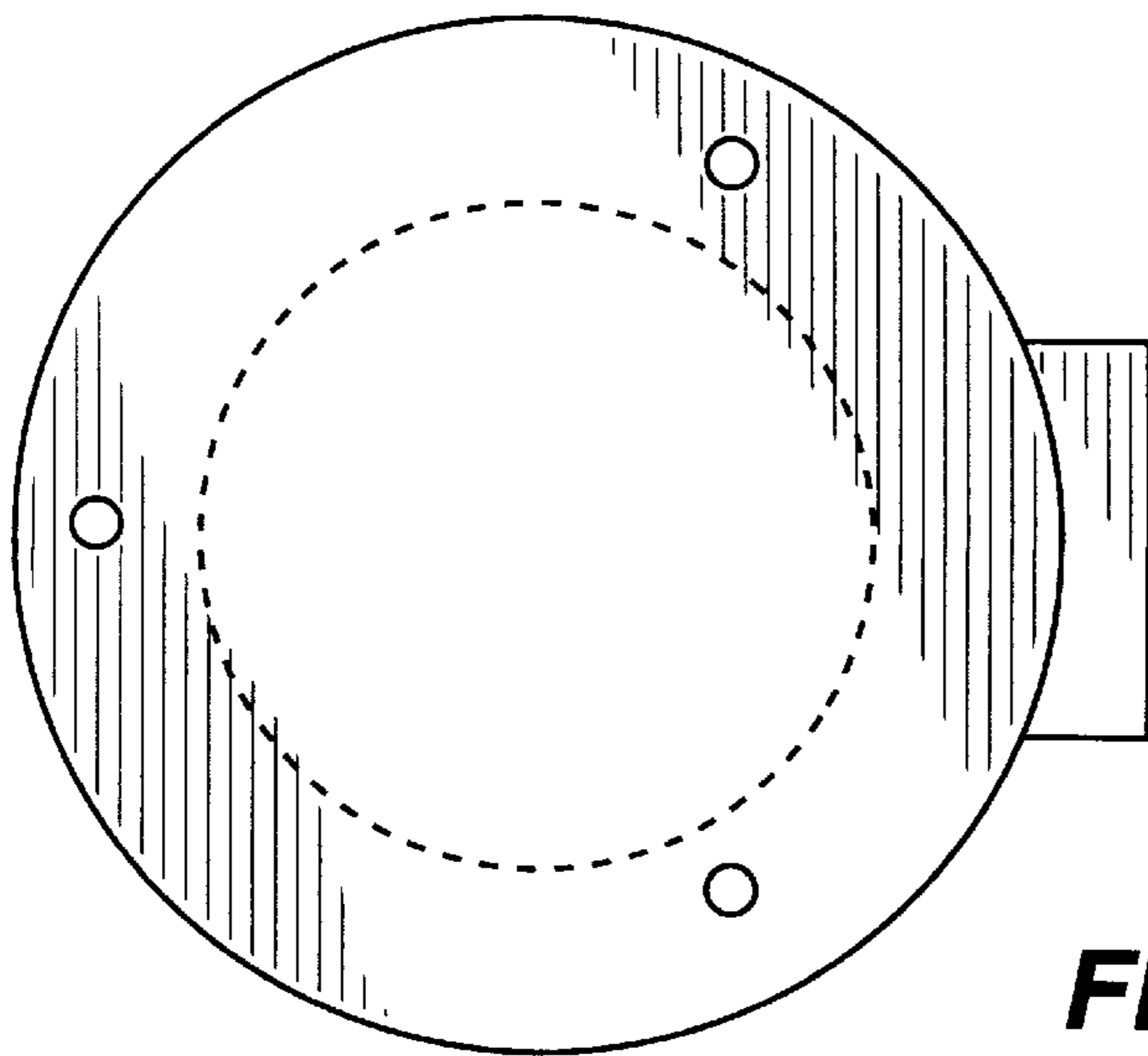
**FIG. 8**



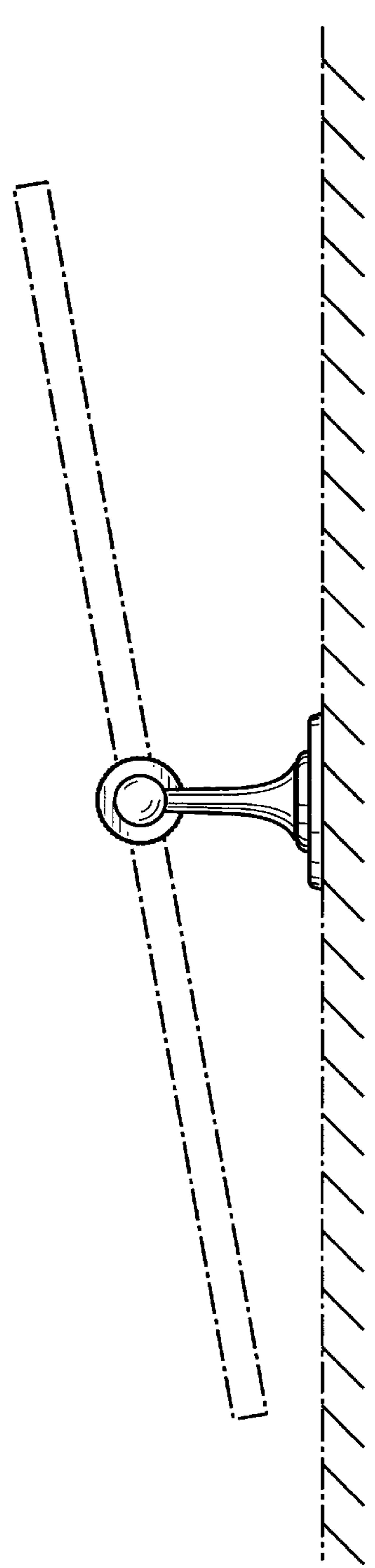
**FIG.\_5**



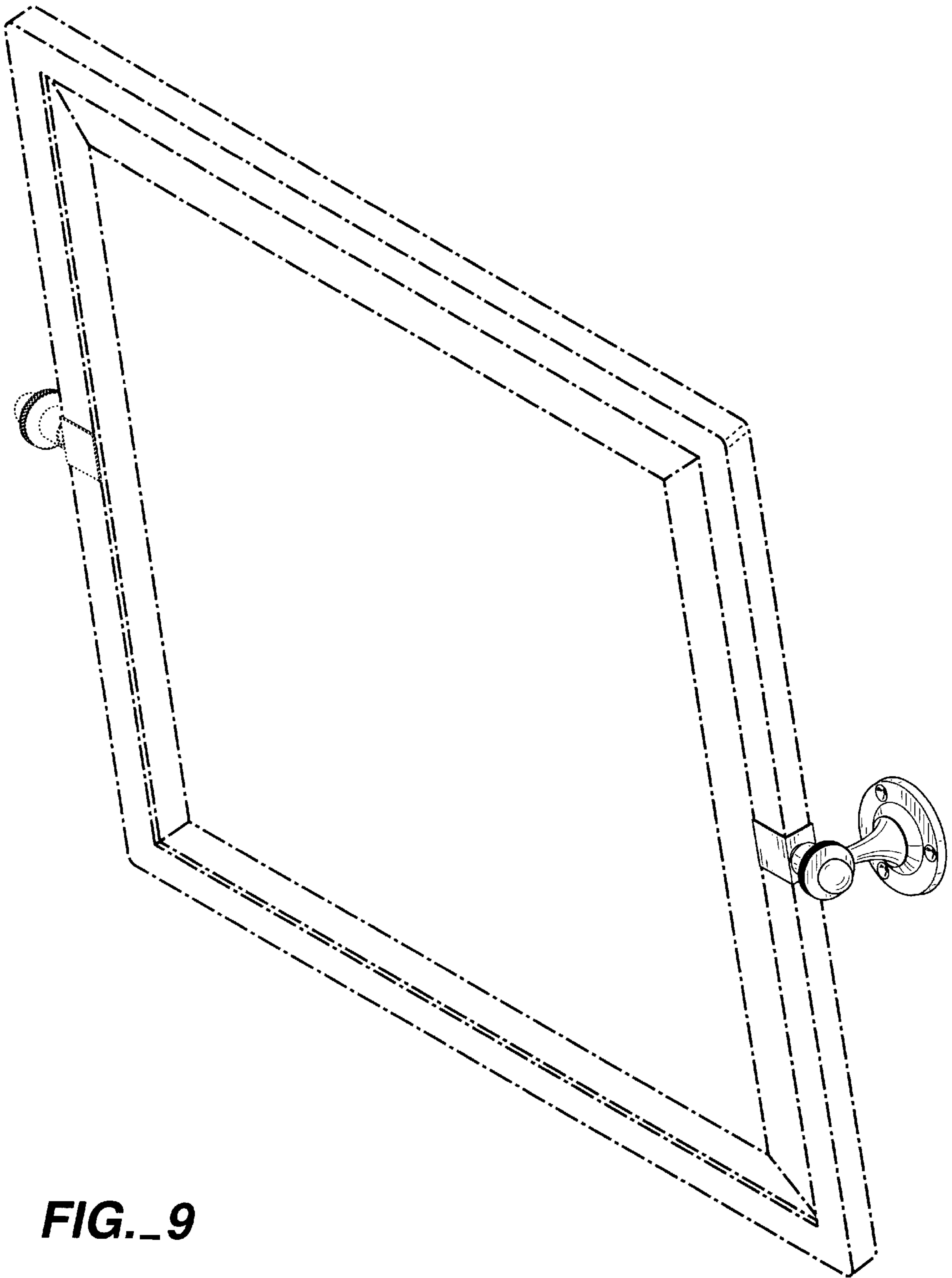
**FIG.\_7**



**FIG.\_6**



**FIG.\_10**



**FIG. 9**