



US00D441273S

(12) **United States Design Patent**
O'Donnell et al.

(10) **Patent No.:** **US D441,273 S**

(45) **Date of Patent:** **** May 1, 2001**

(54) **MOUNTING BRACKET**

(76) Inventors: **John Malcolm O'Donnell**, 187b Wellington Street, Mosman Park, Western Australia, 6012; **Brian Douglas Sorensen**, 3 Cambridge Mews, Kinglsey, Western Australia, 6026, both of (AU)

(**) Term: **14 Years**

(21) Appl. No.: **29/096,499**

(22) Filed: **Nov. 12, 1998**

(30) **Foreign Application Priority Data**

May 14, 1998 (AU) 1395/98

(51) **LOC (7) Cl.** **08-05**

(52) **U.S. Cl.** **D8/349; D14/238**

(58) **Field of Search** **D8/349, 354; D14/229, D14/224, 238; 248/200, 205.1, 300, 309.1**

(56) **References Cited**

U.S. PATENT DOCUMENTS

- D. 86,963 * 5/1932 Maves D8/349
- D. 110,748 * 8/1938 Gilmore D14/238
- D. 321,886 * 11/1991 Metivier D14/238
- D. 362,253 * 9/1995 Vogels D14/224

* cited by examiner

Primary Examiner—Holly Baynham

(74) *Attorney, Agent, or Firm*—Holland & Hart LLP

(57) **CLAIM**

The ornamental design for mounting bracket, as shown and described.

DESCRIPTION

FIG. 1 is a perspective front view of a mounting bracket in an assembled condition showing our new design;
 FIG. 2 is a perspective rear view thereof;
 FIG. 3 is a perspective front view of the mounting bracket in a separated condition;
 FIG. 4 is a perspective rear view thereof,
 FIG. 5 is a side view of the mounting bracket in an assembled condition;
 FIG. 6 is a top plan view thereof;

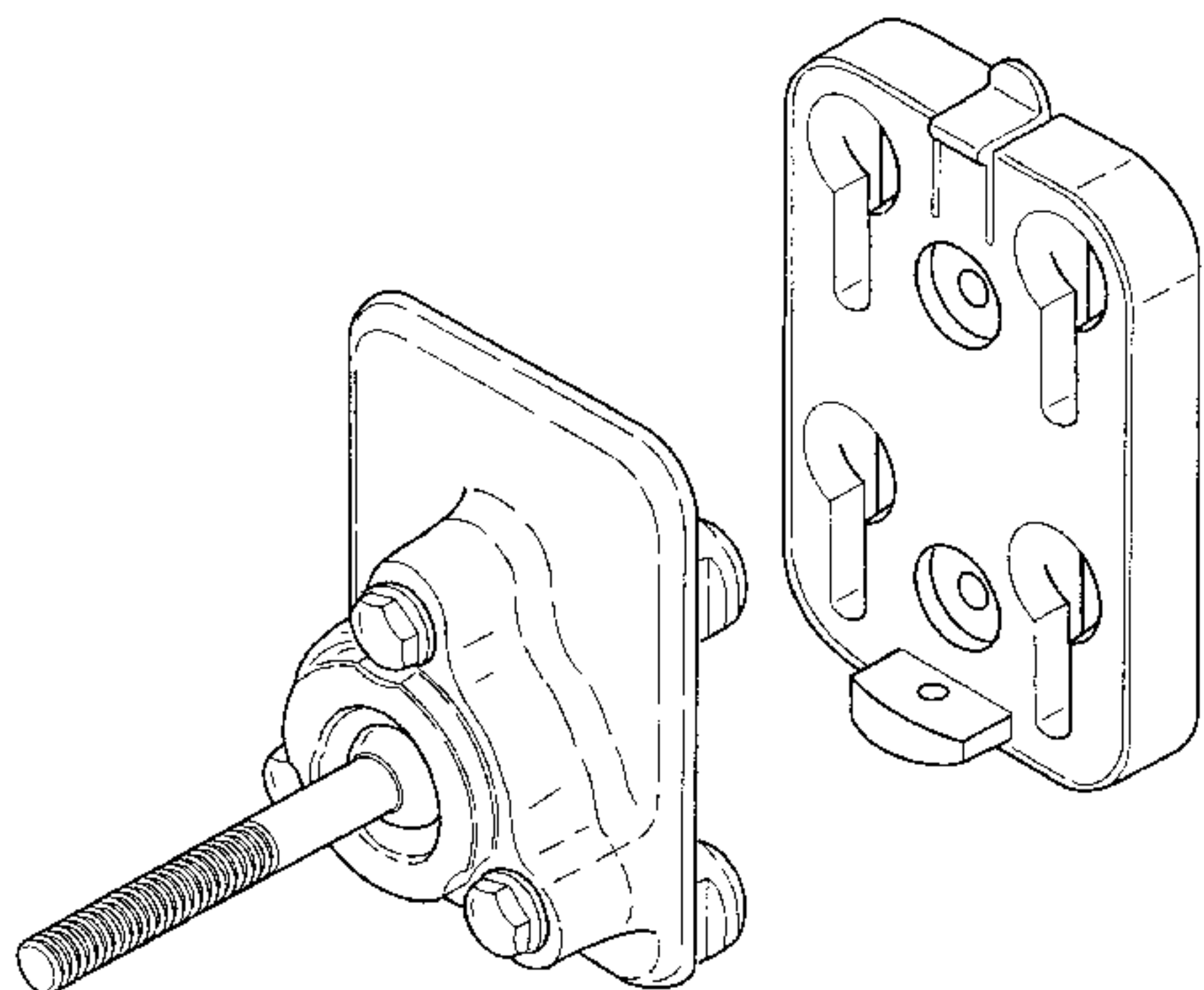
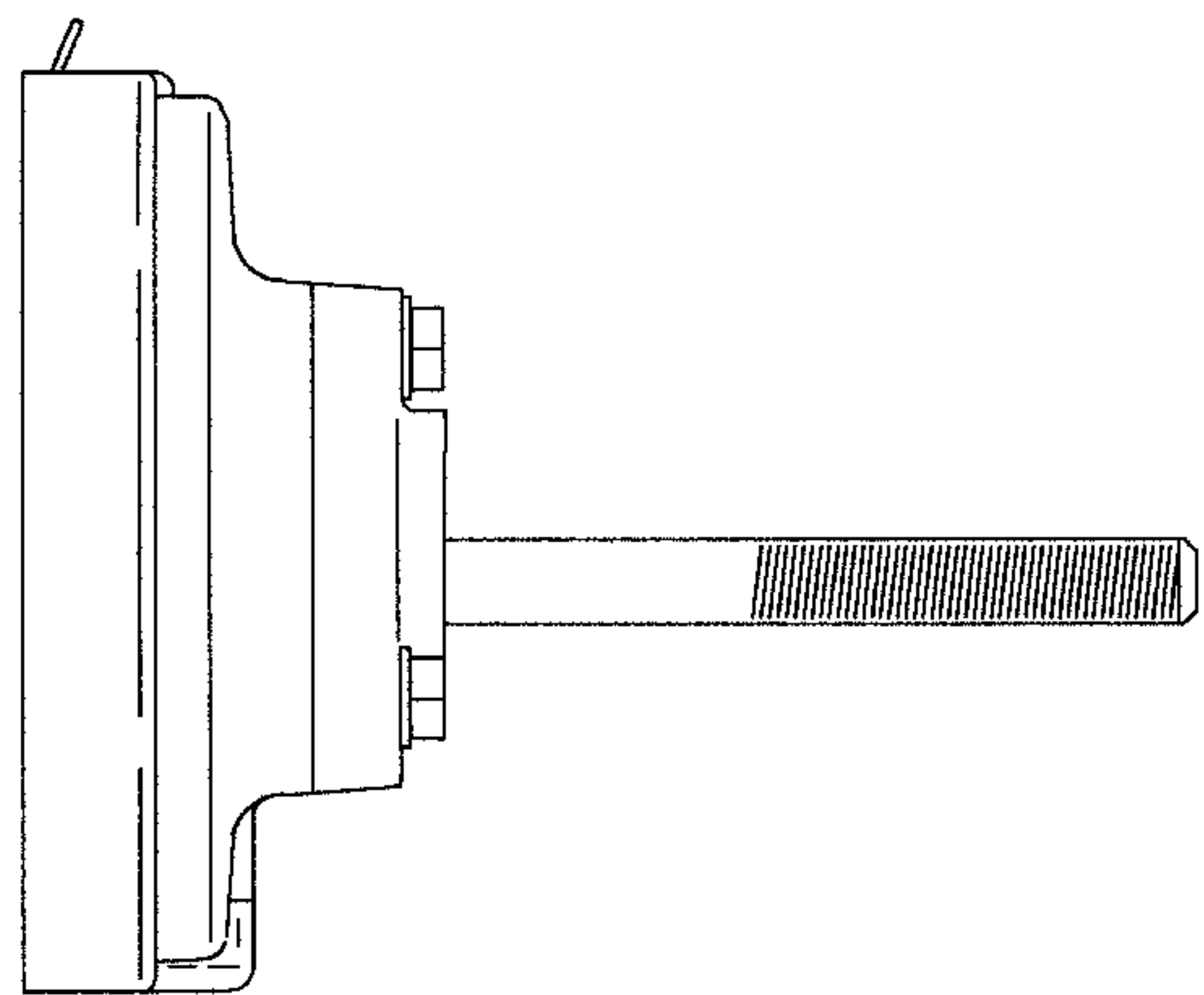


FIG. 7 is a bottom plan view thereof;
 FIG. 8 is a perspective front view of a base member which forms part of the mounting bracket;
 FIG. 9 is a perspective rear view thereof;
 FIG. 10 is an enlarged side view thereof;
 FIG. 11 is a front view thereof;
 FIG. 12 is a bottom plan view thereof;
 FIG. 13 is a rear plan view thereof;
 FIG. 14 is a top plan view thereof;
 FIG. 15 is a front view of a front member which forms part of the mounting bracket;
 FIG. 16 is a rear view thereof;
 FIG. 17 is a top plan view thereof;
 FIG. 18 is a side view thereof;
 FIG. 19 is a reduced scale perspective front view thereof;
 FIG. 20 is a perspective rear view thereof;
 FIG. 21 is a perspective front view of a second embodiment of a mounting bracket in an assembled condition showing our new design;
 FIG. 22 is a perspective rear view thereof;
 FIG. 23 is a perspective front view of the mounting bracket in a separated condition;
 FIG. 24 is a perspective rear view thereof;
 FIG. 25 is a side view of the mounting bracket in an assembled condition;
 FIG. 26 is a rear perspective view;
 FIG. 27 is a front perspective view;
 FIG. 28 is an enlarged side view of a base member which forms part of the mounting bracket;
 FIG. 29 is a rear elevational view;
 FIG. 30 is a top plan view;
 FIG. 31 is a front view thereof; and
 FIG. 32 is a bottom plan view thereof.
 FIG. 33 is a reduced scale, front, perspective view in a separated condition;
 FIG. 34 is a rear perspective view in a separated condition;
 FIG. 35 is a front perspective view of the front member of the claimed design;
 FIG. 36 is a rear perspective view;
 FIG. 37 is an enlarged front view;
 FIG. 38 is a rear view;
 FIG. 39 is top plan view; and,
 FIG. 40 is a side view.
 The elements of the claimed design are shown detached for clarity of illustration.

1 Claim, 16 Drawing Sheets



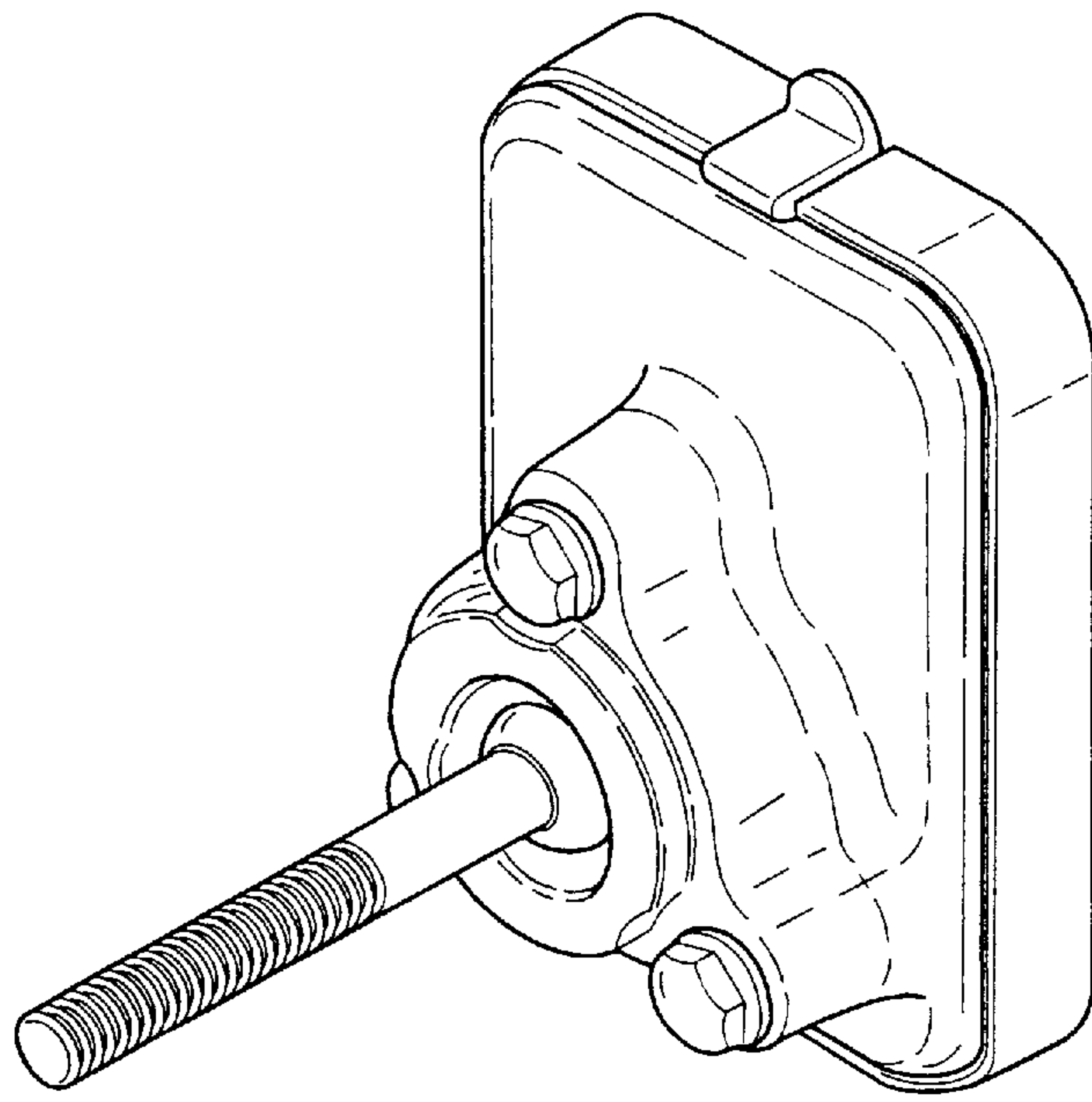


Fig. 1.

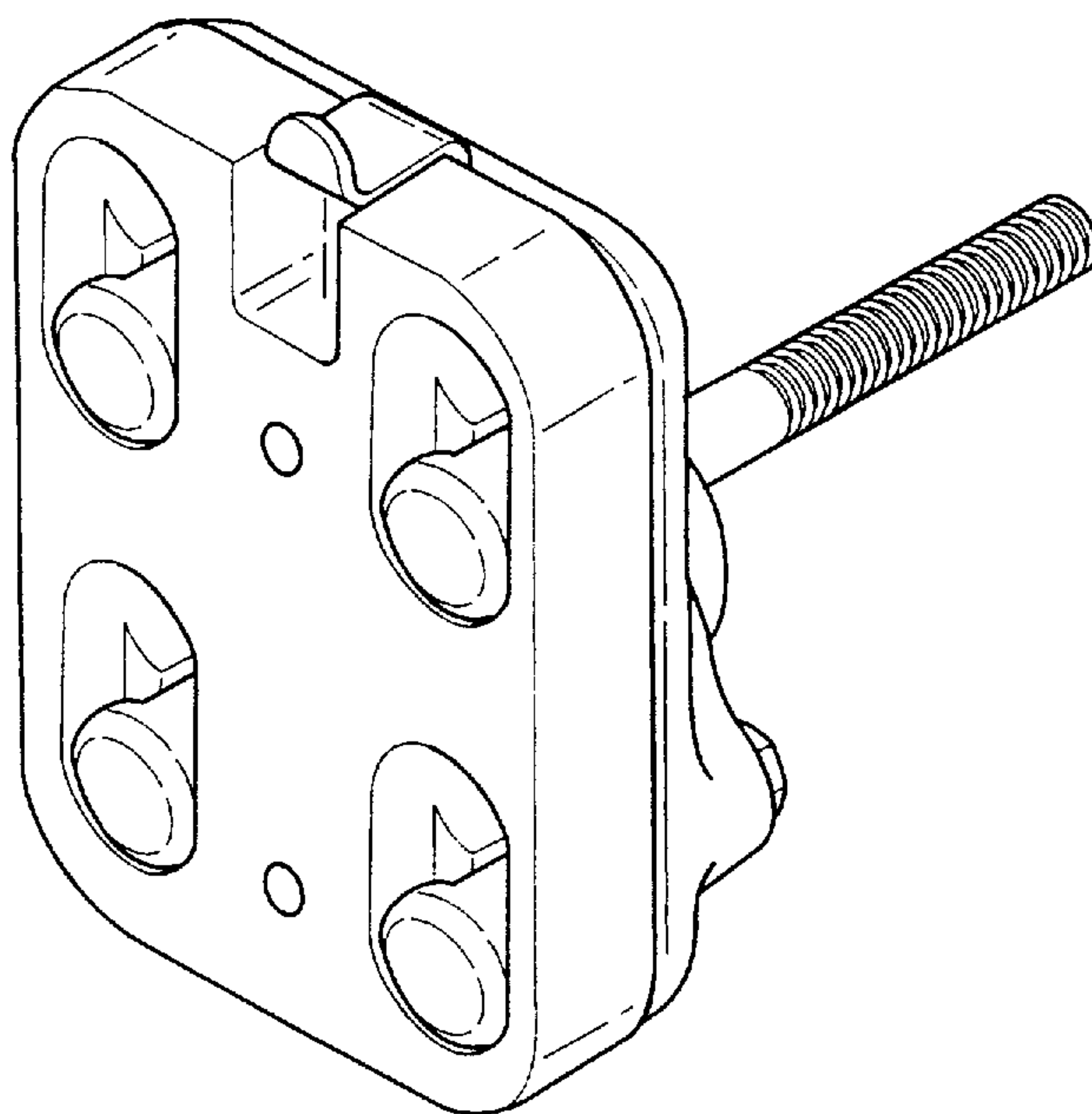
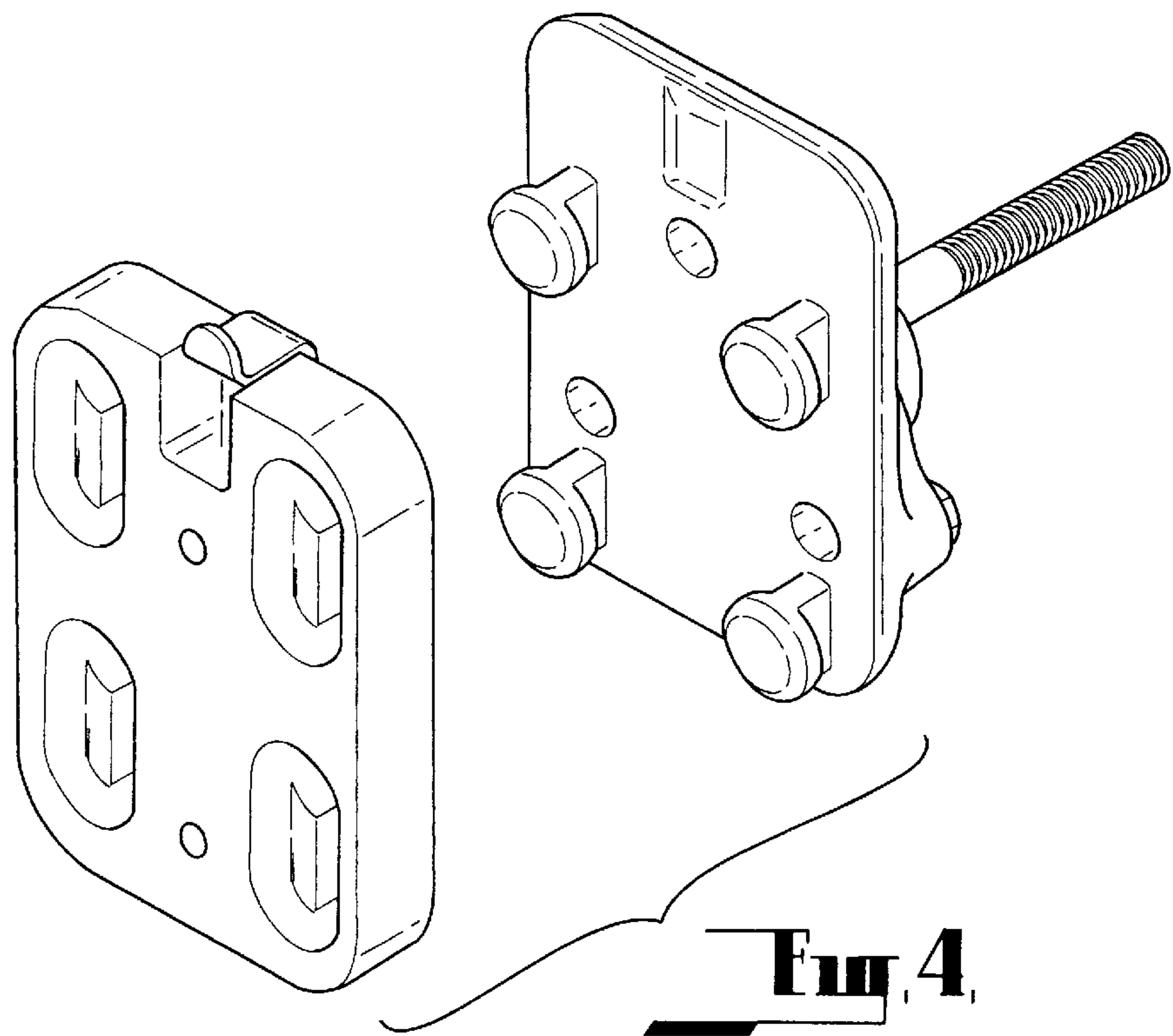
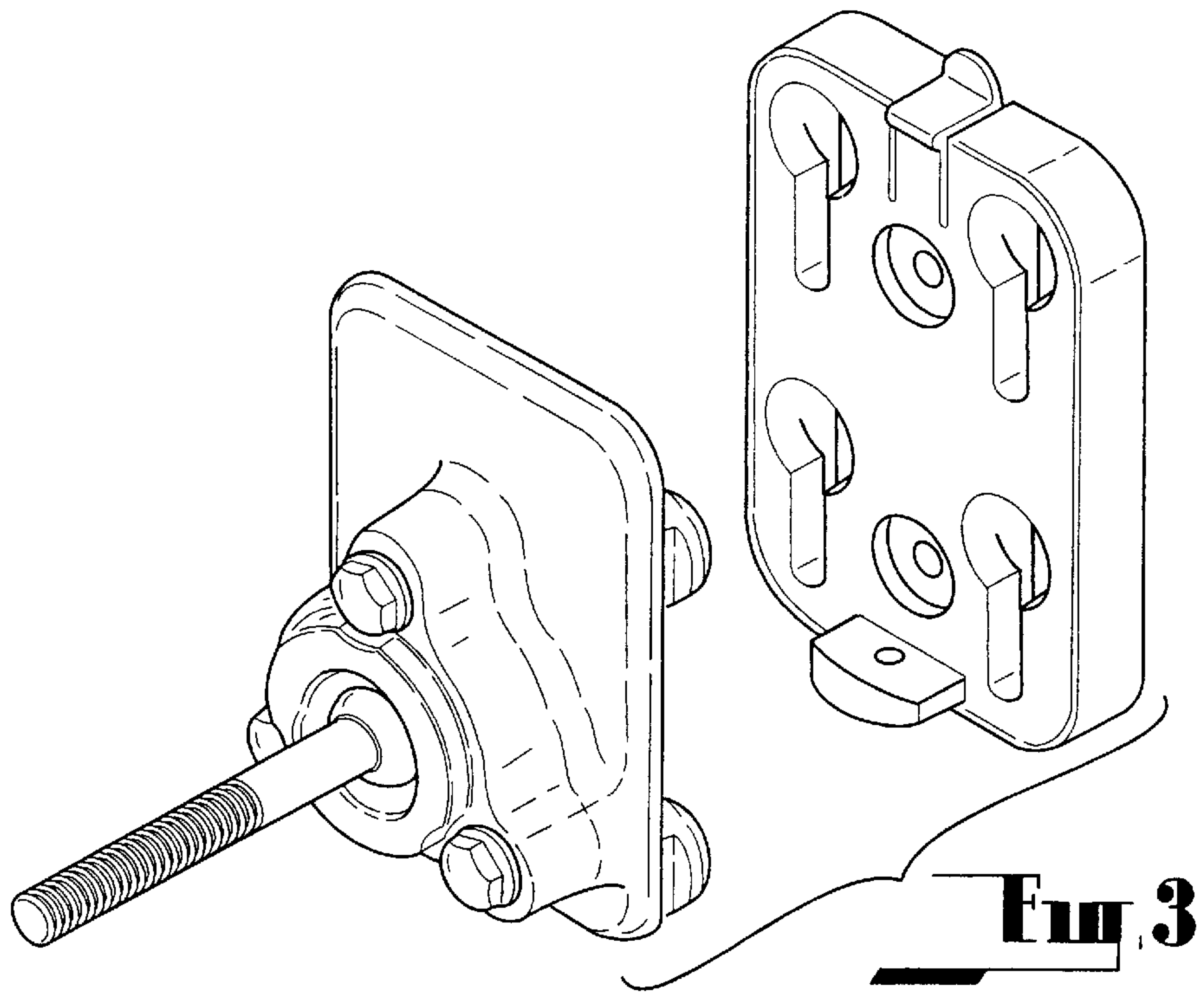


Fig. 2.



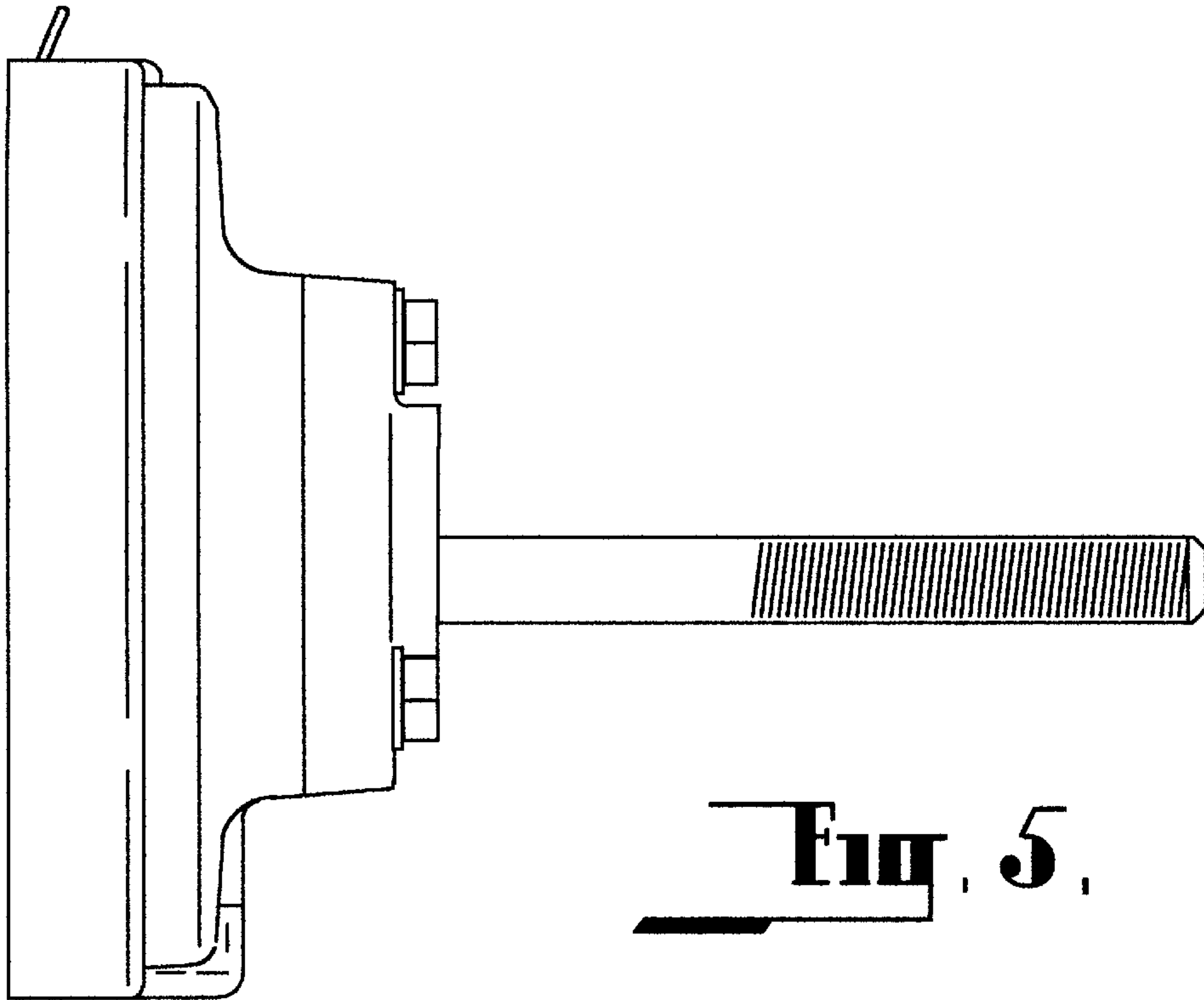


Fig. 5.

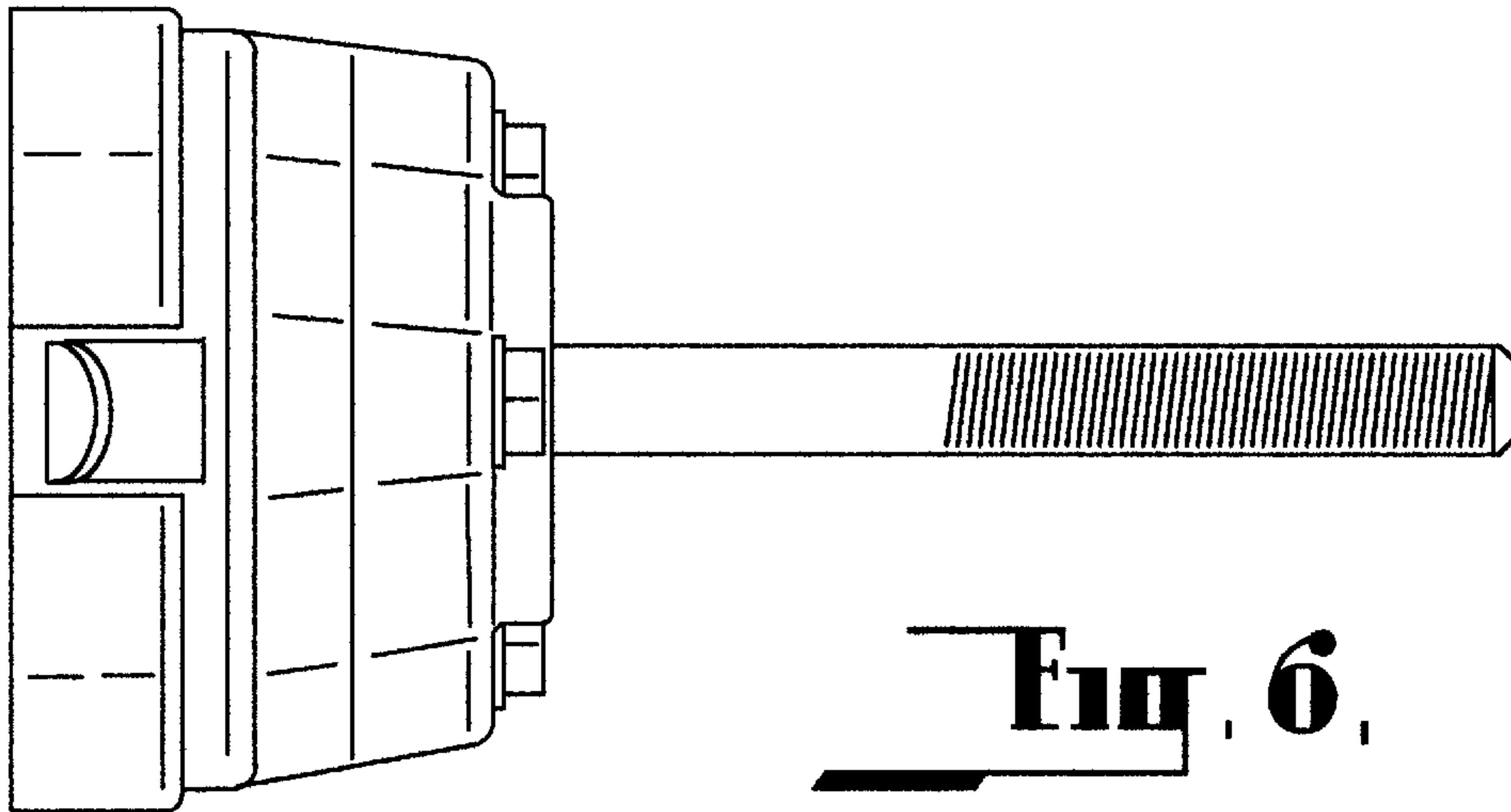


Fig. 6.

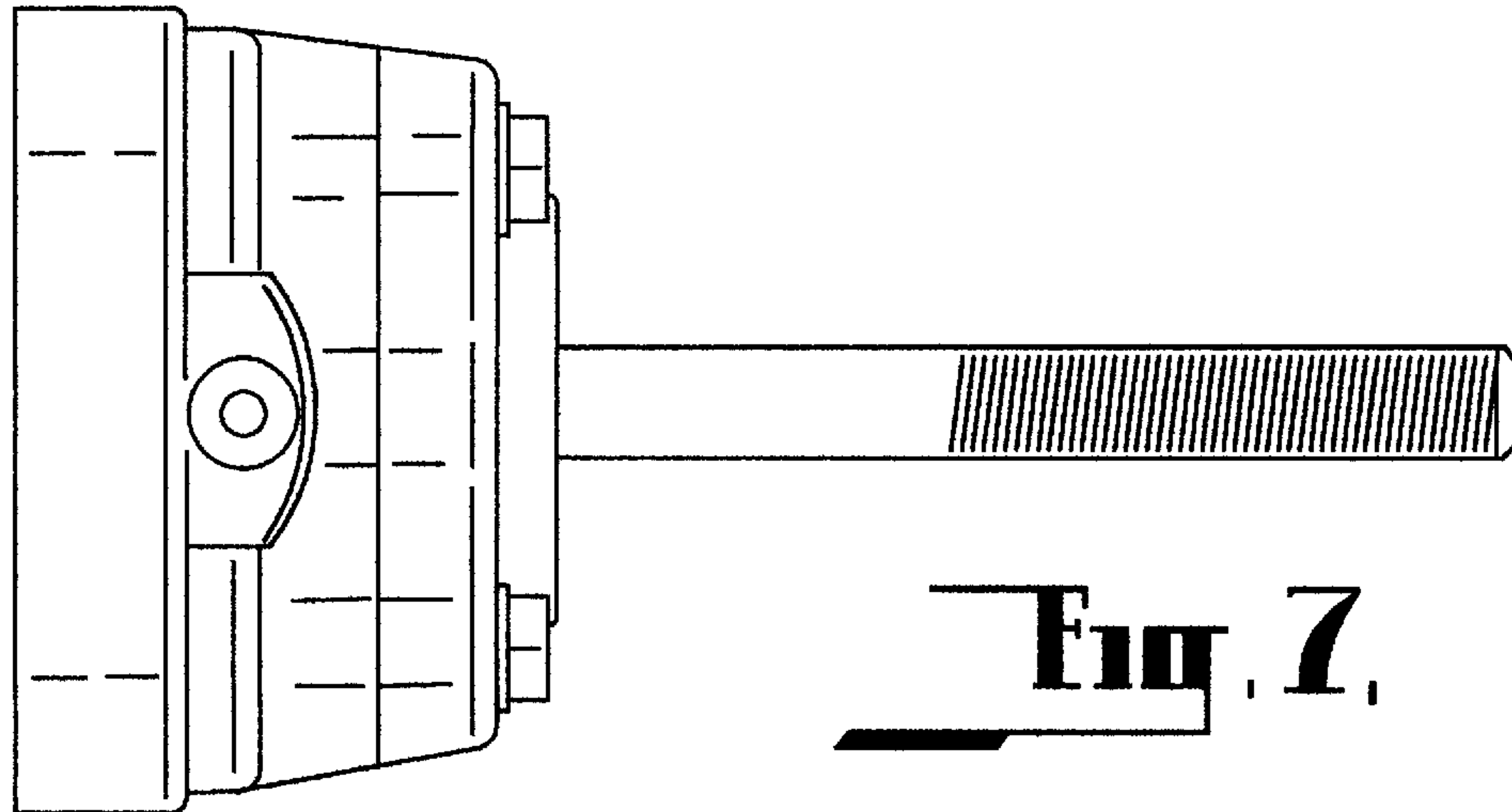


Fig. 7.

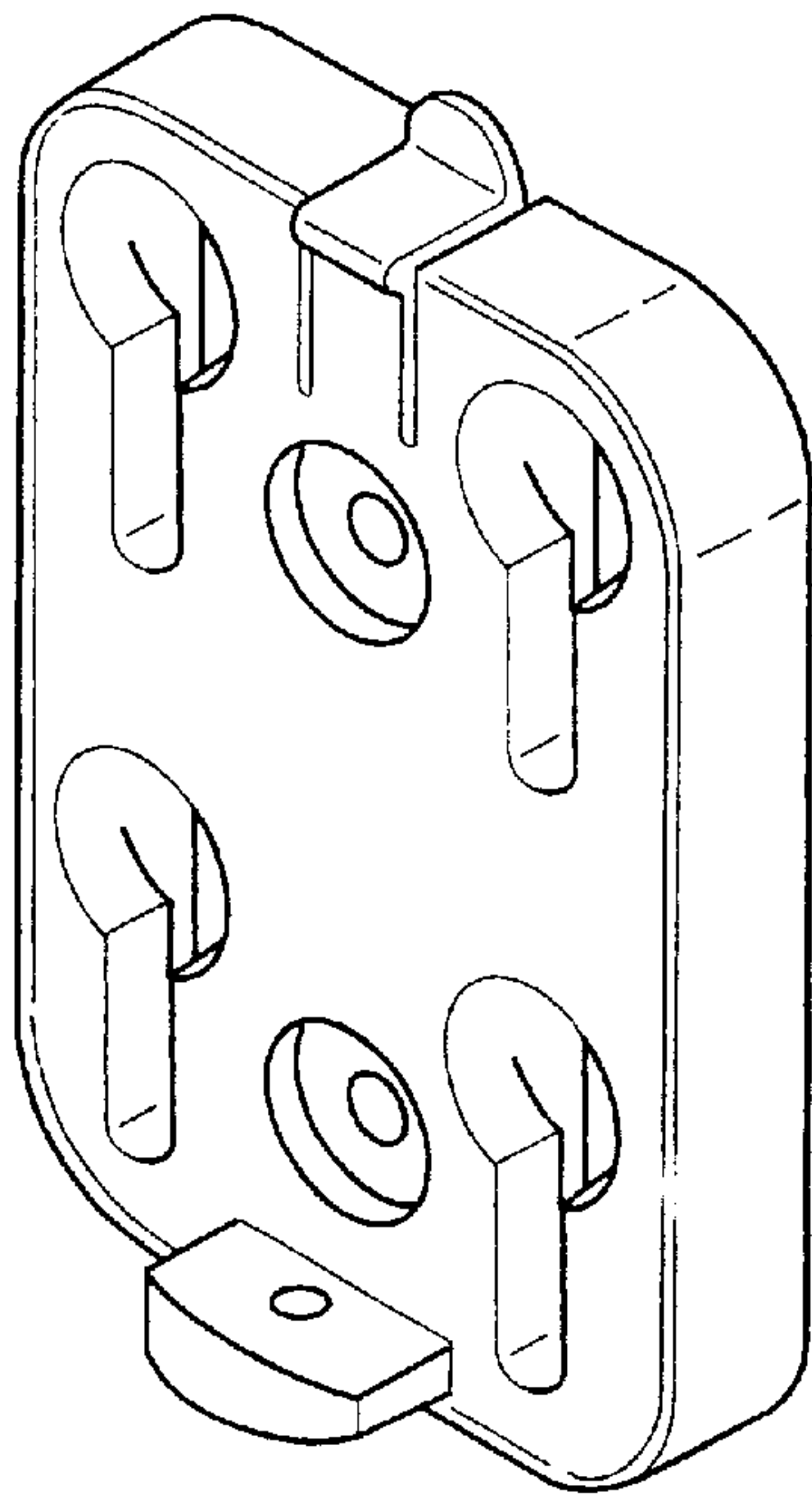


Fig. 8.

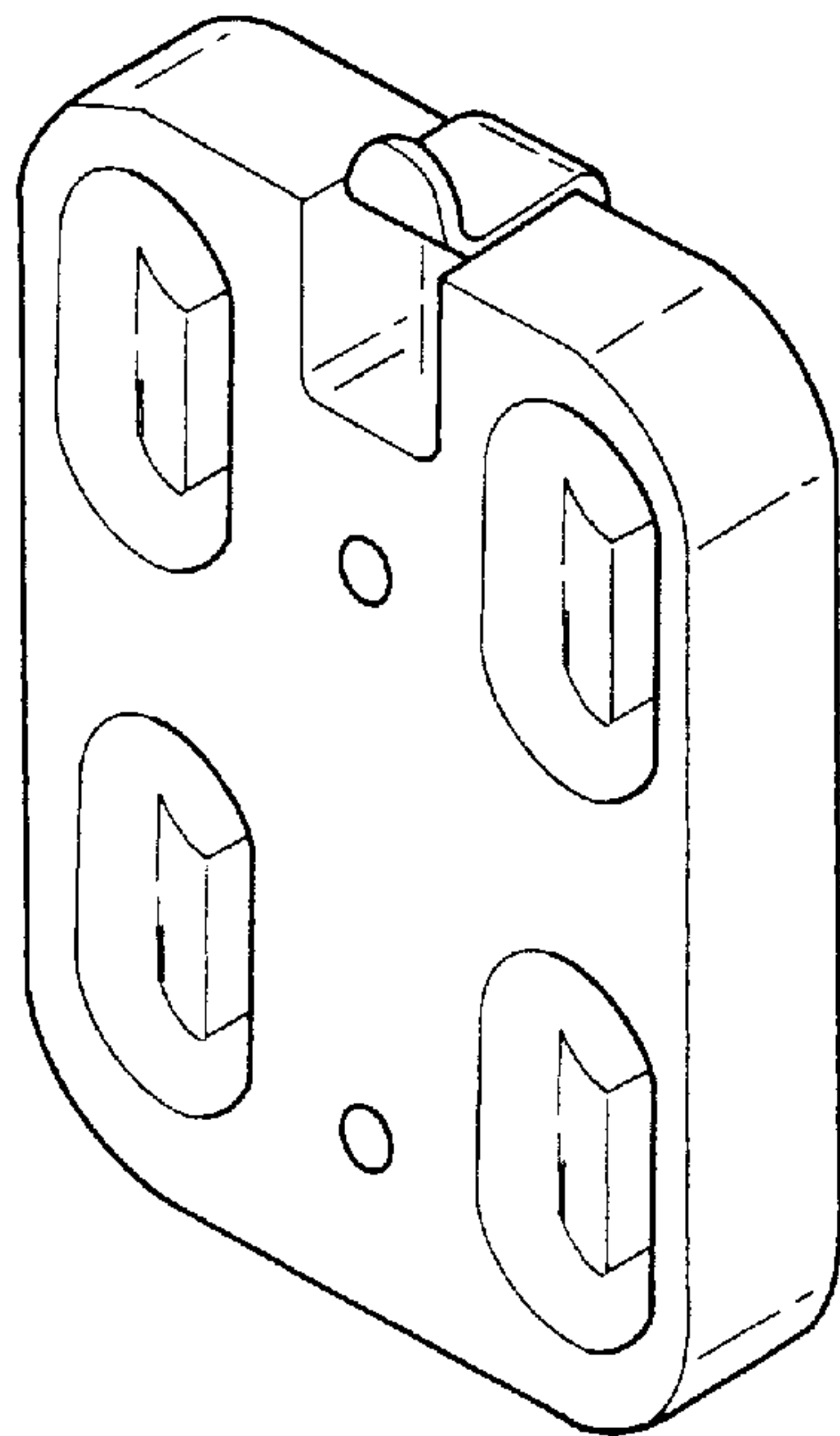


Fig. 9.

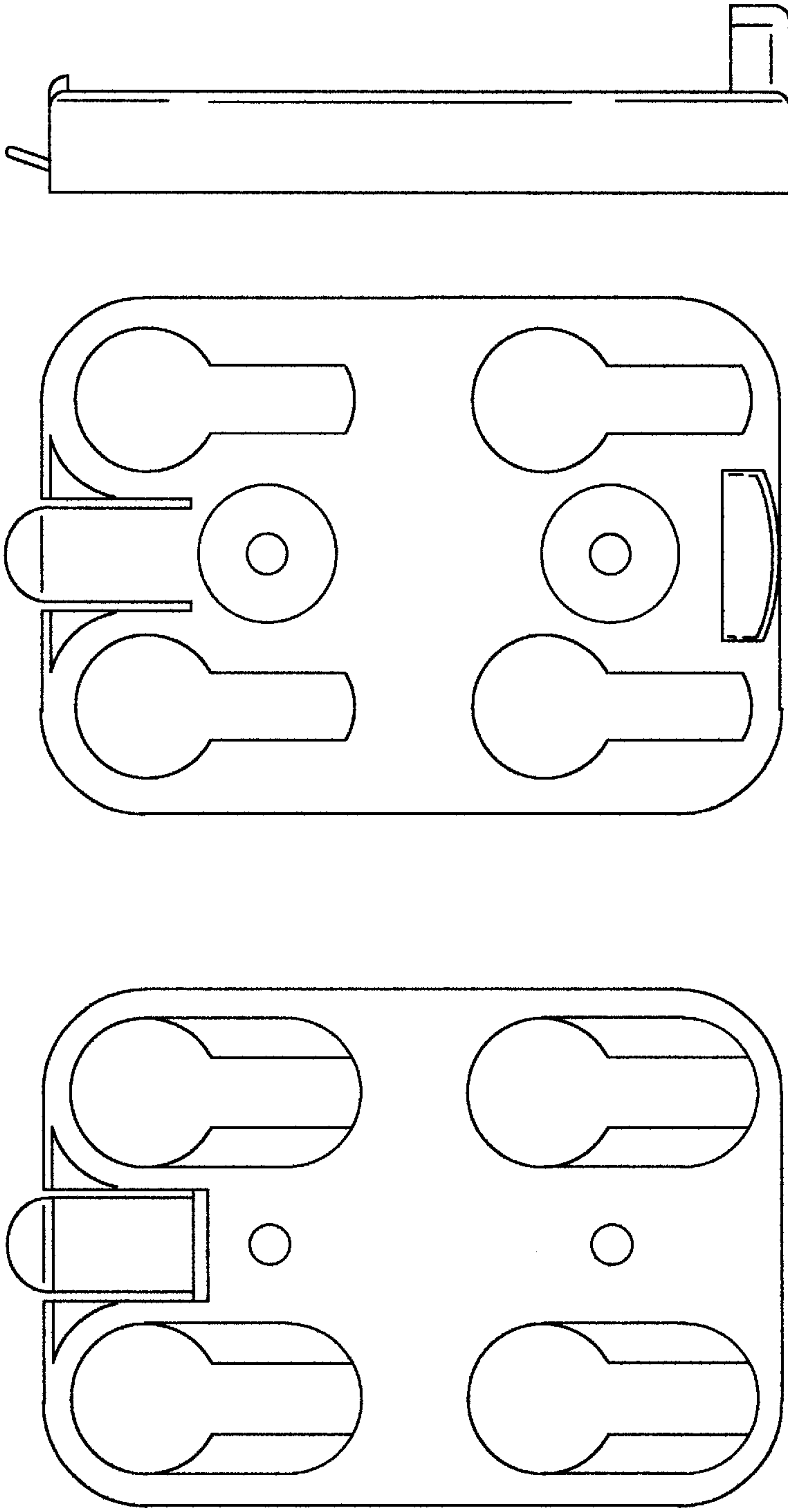


Fig. 10,
Fig. 11,

Fig. 13,

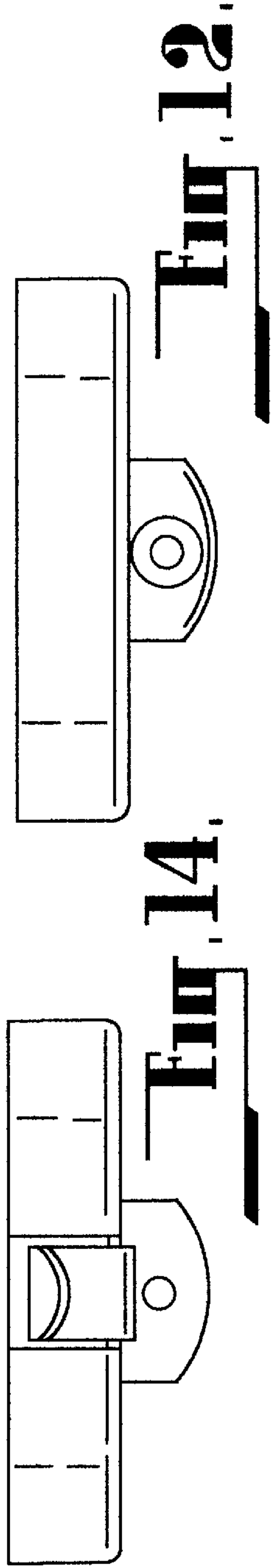


Fig. 12,

Fig. 14,

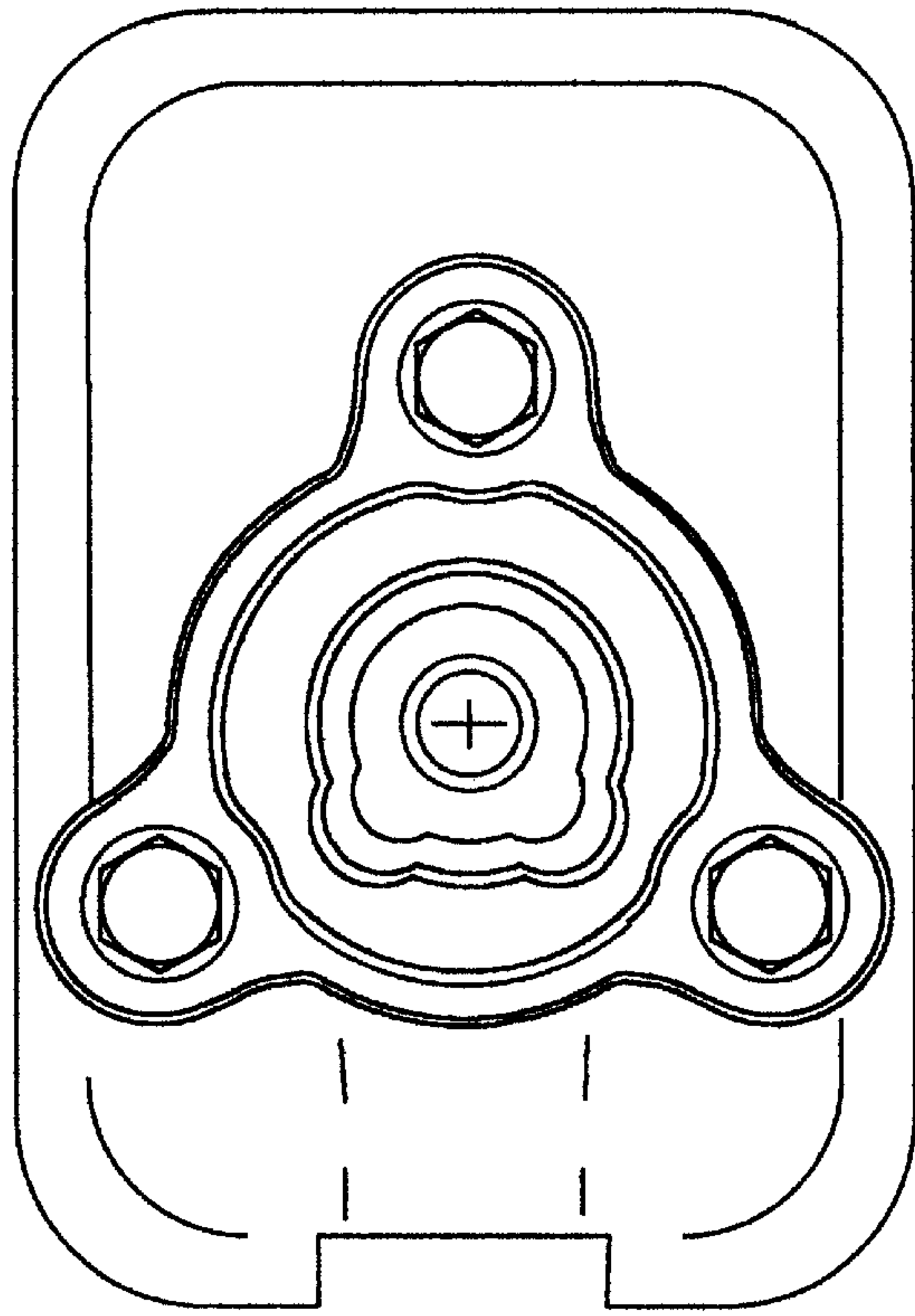


FIG. 15.

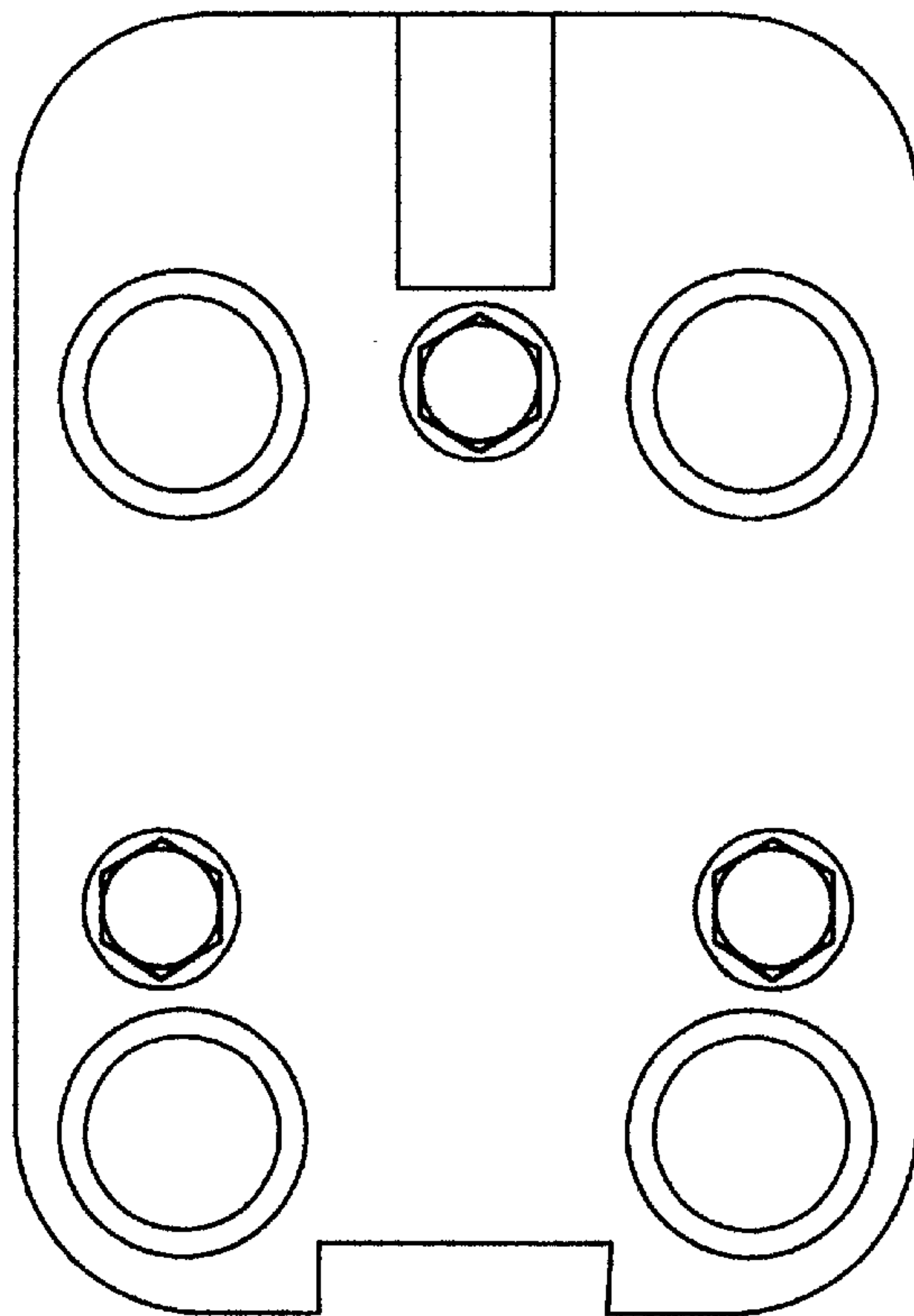


FIG. 16.

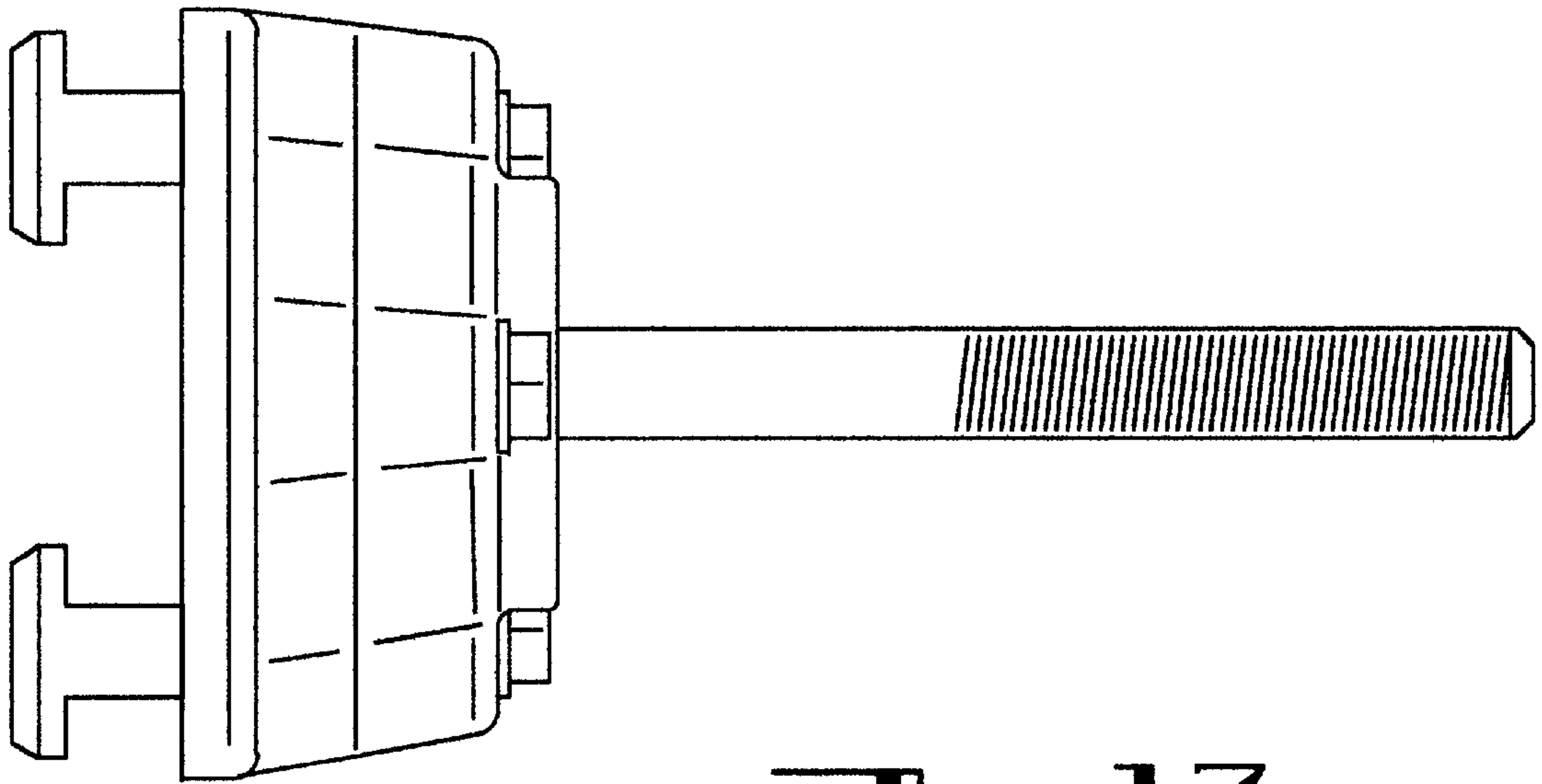


Fig. 17.

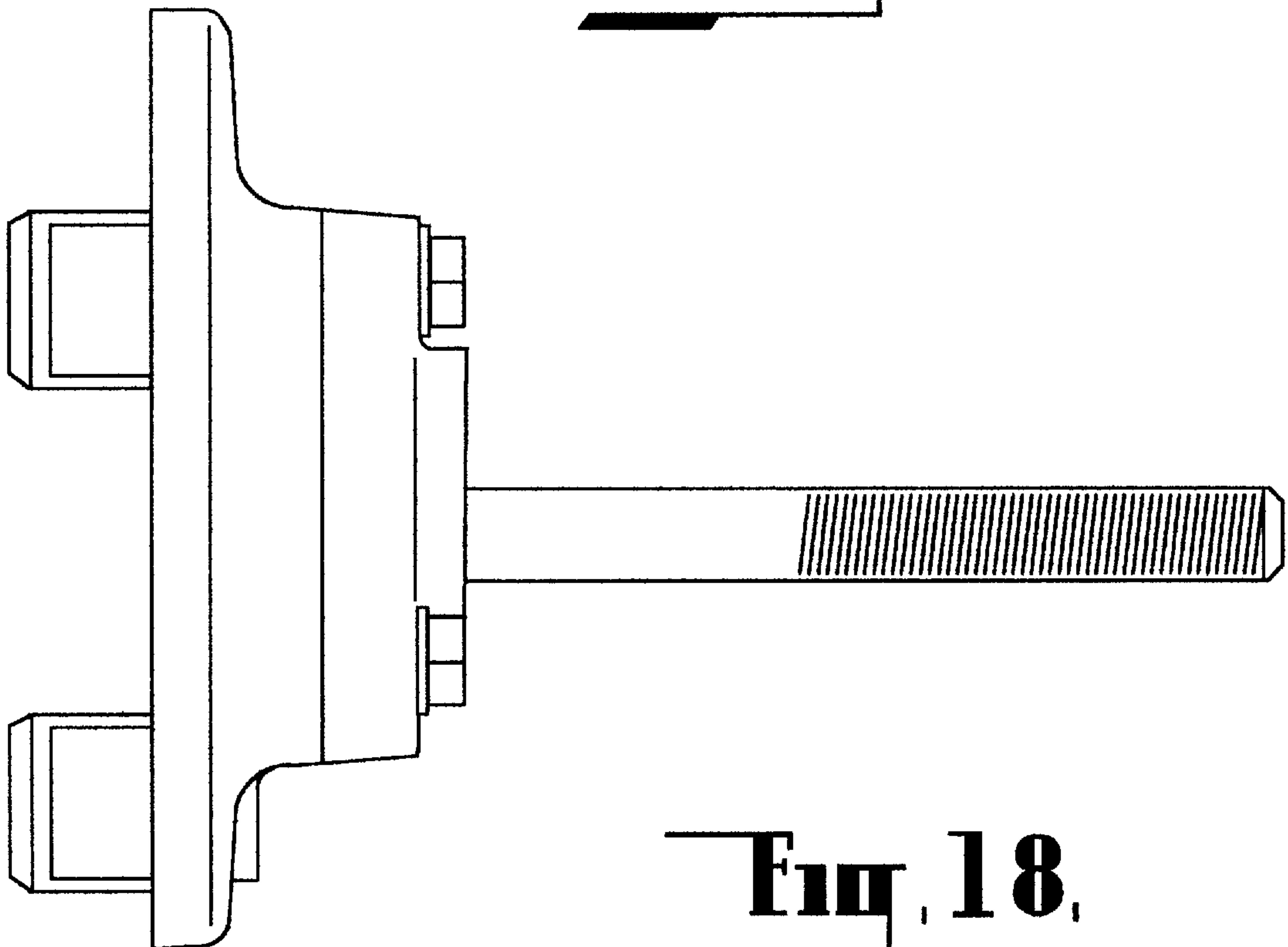


Fig. 18.

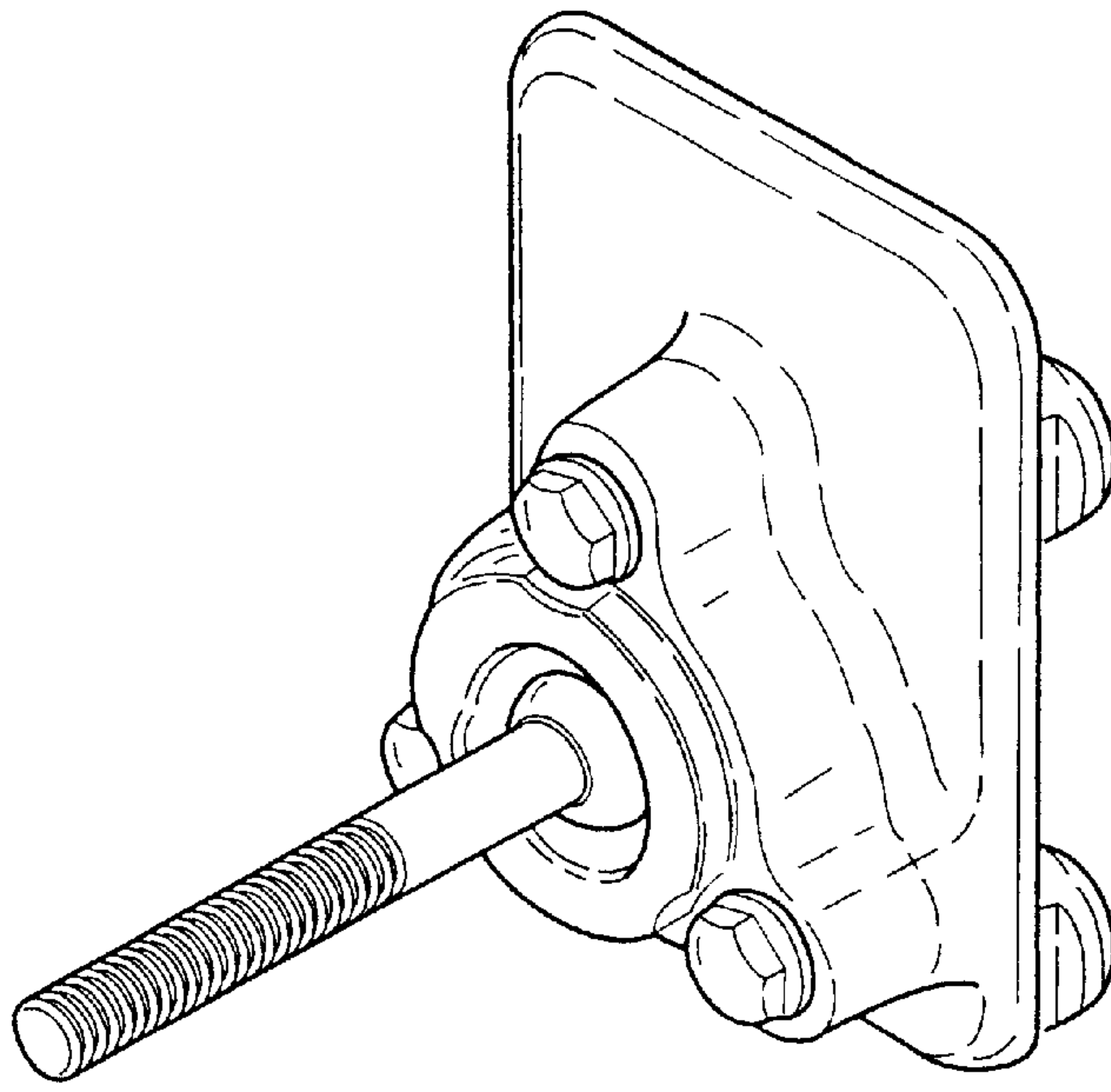


Fig. 19,

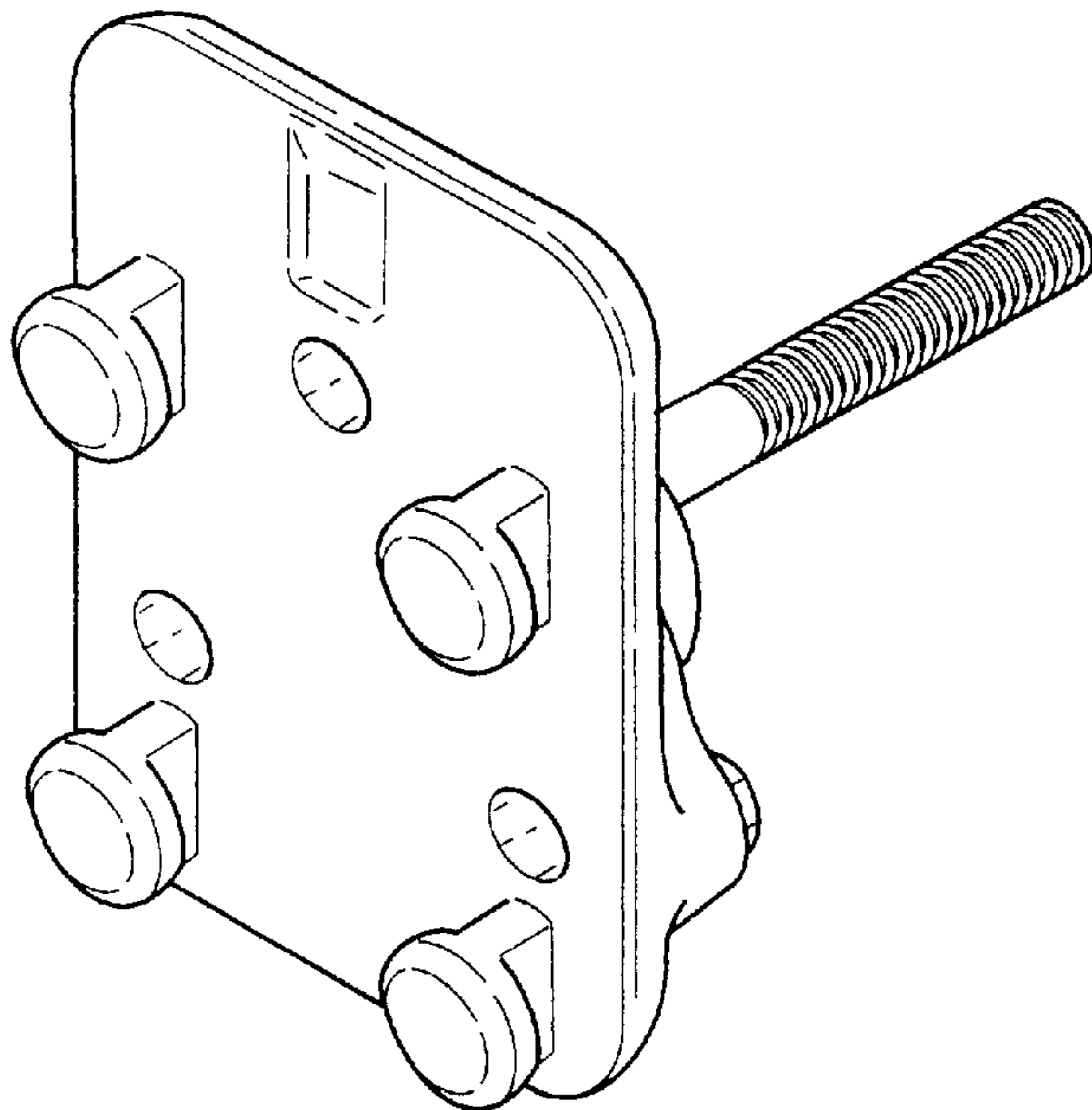


Fig. 20,

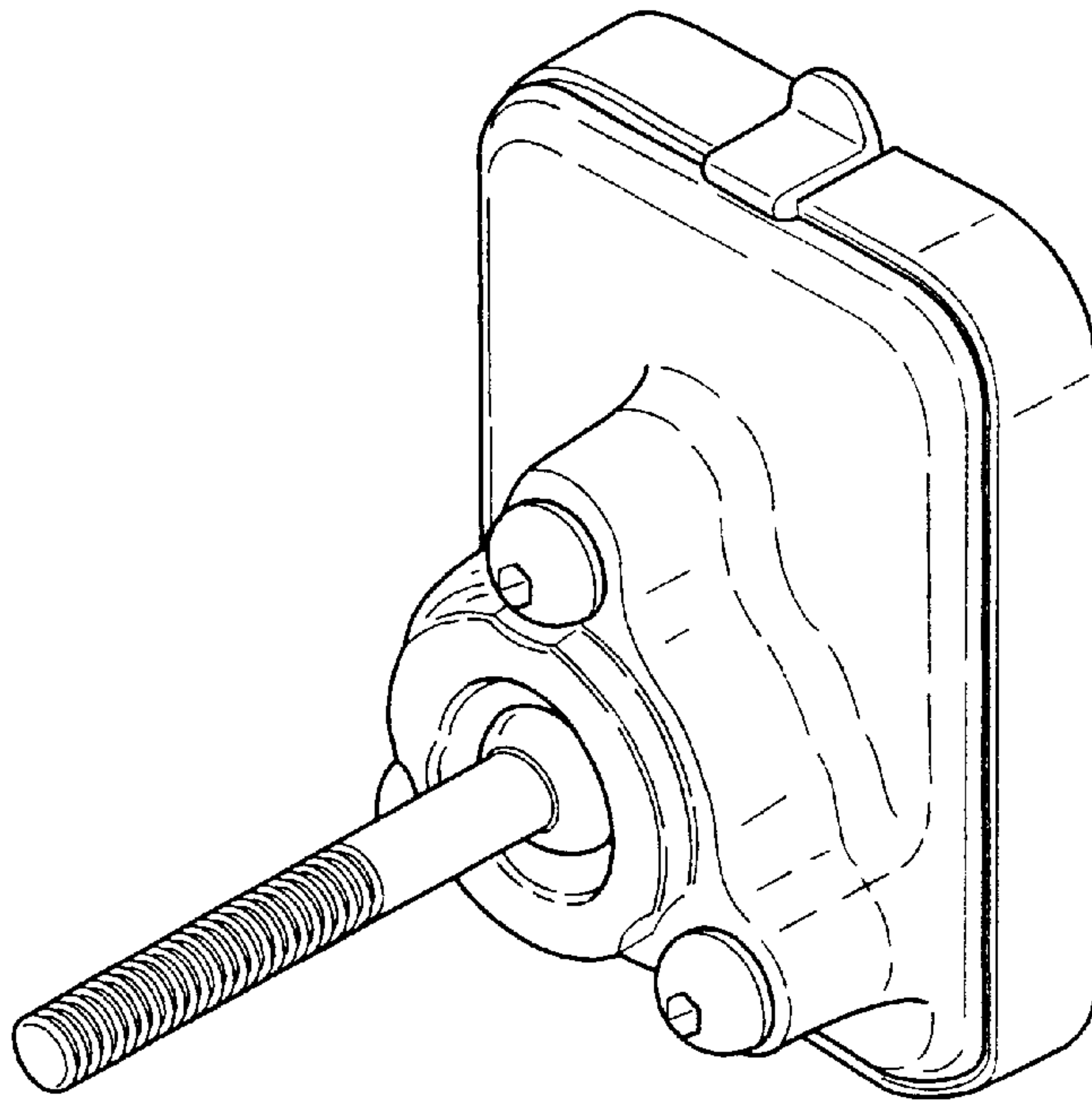


Fig. 21.

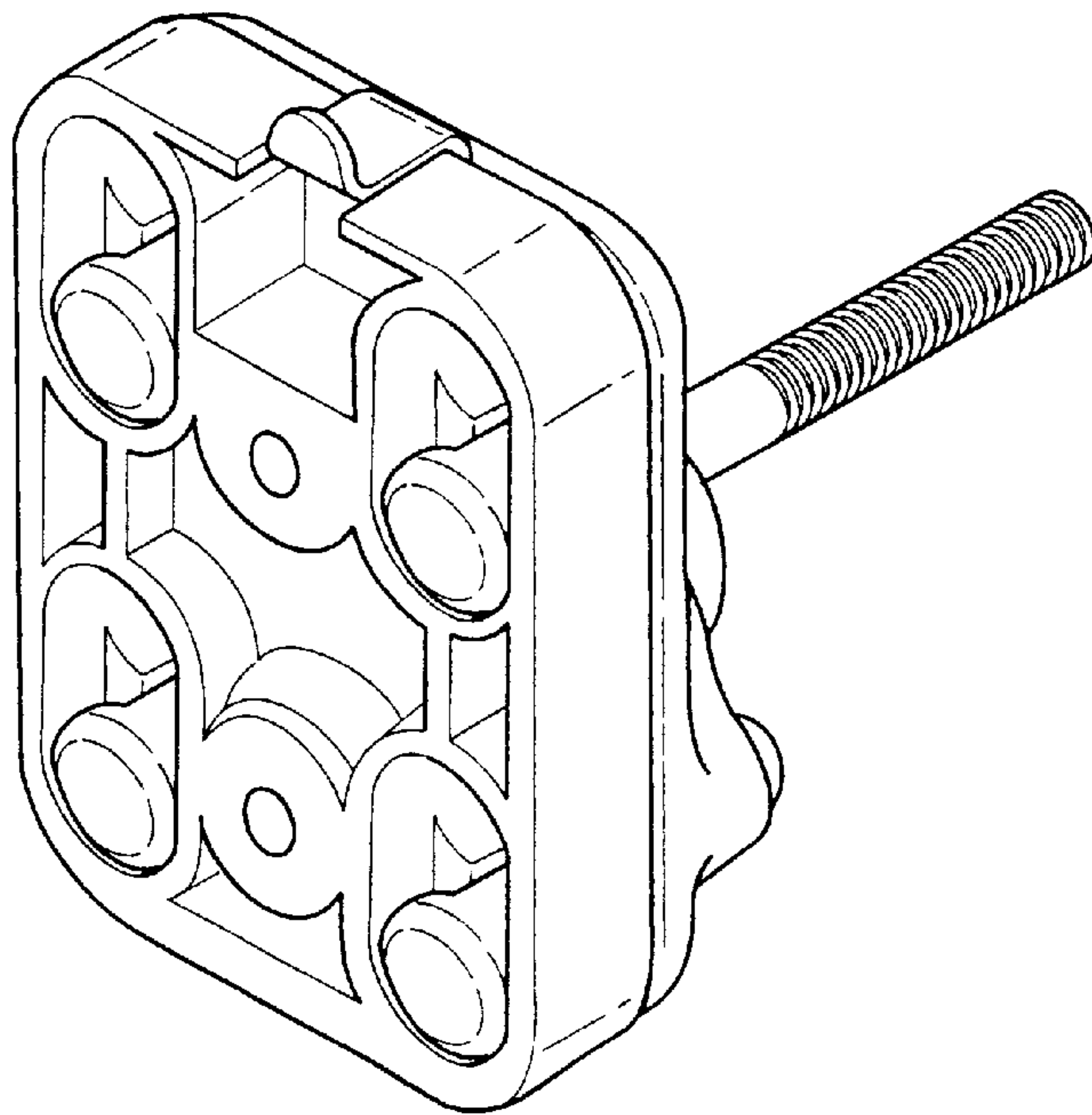


Fig. 22.

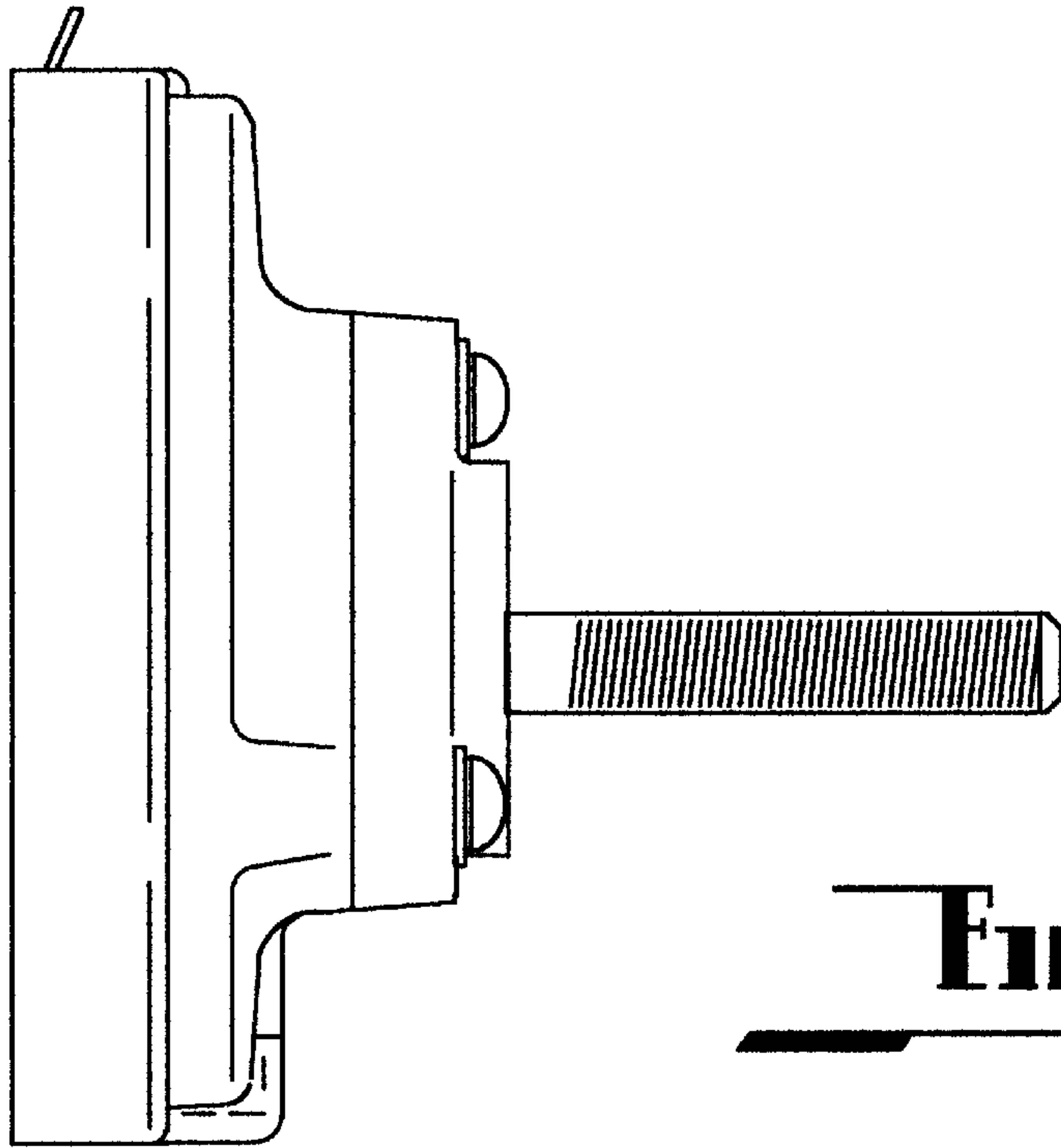


FIG. 23.

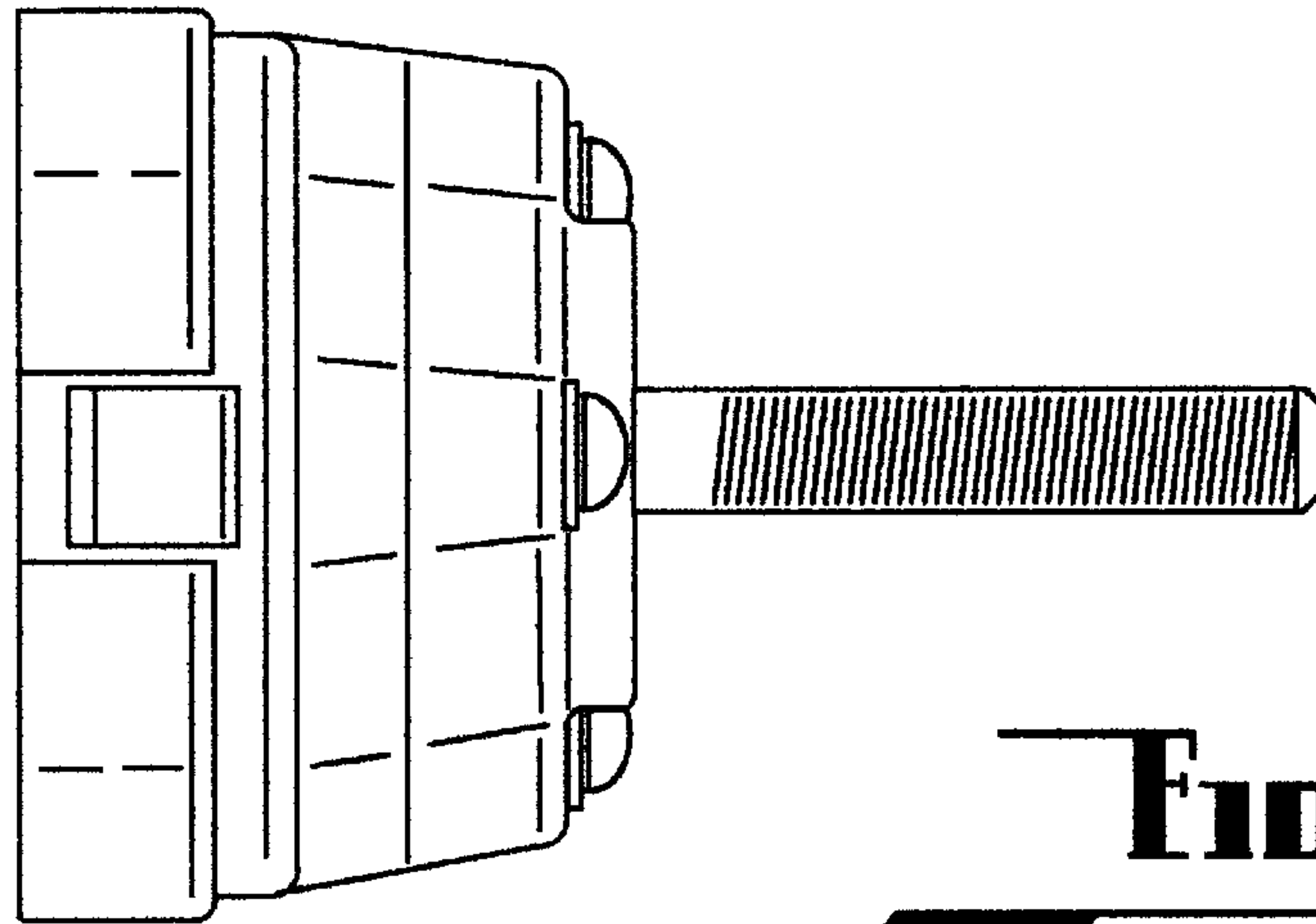


FIG. 24.

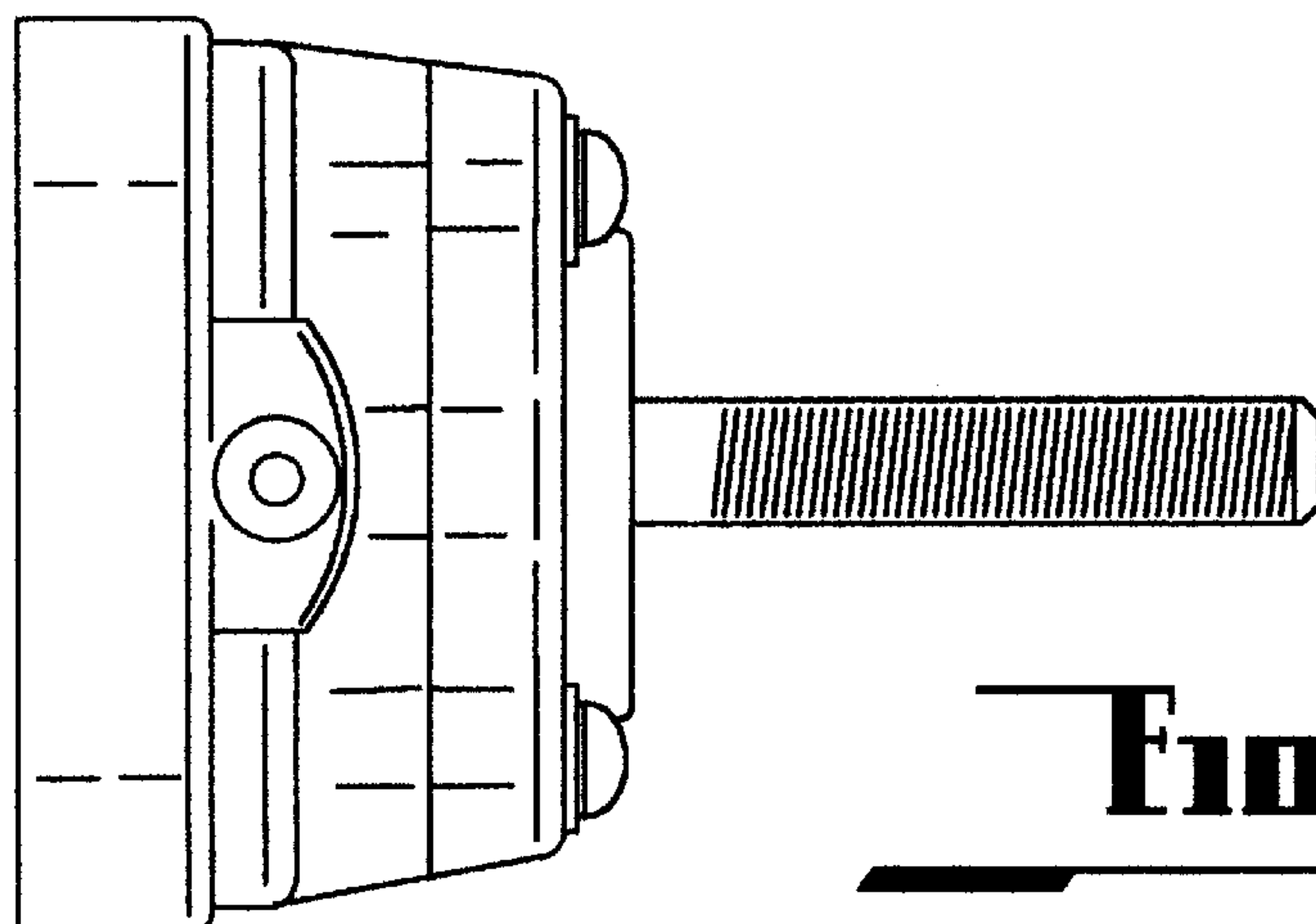


FIG. 25.

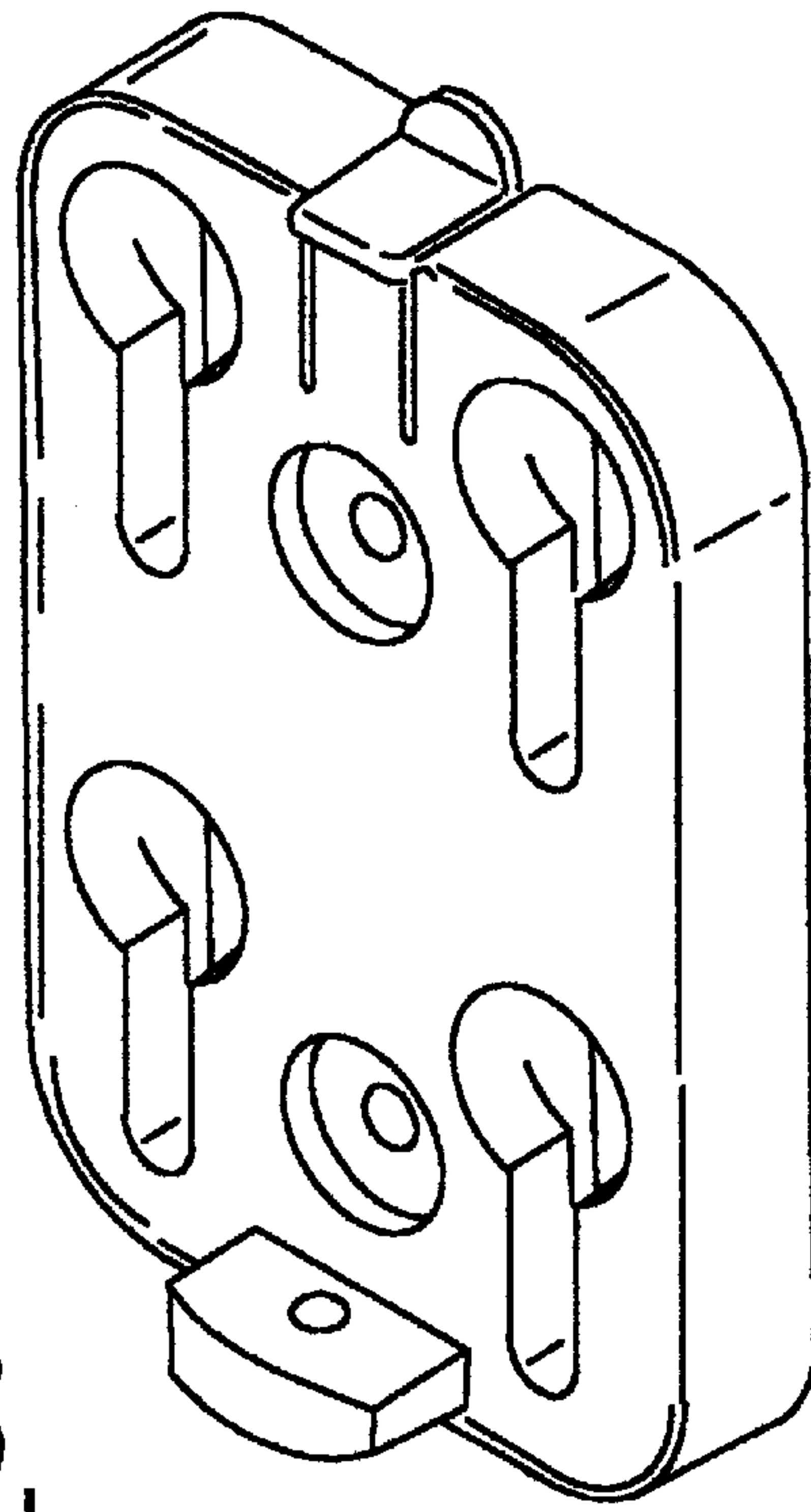


Fig. 26.

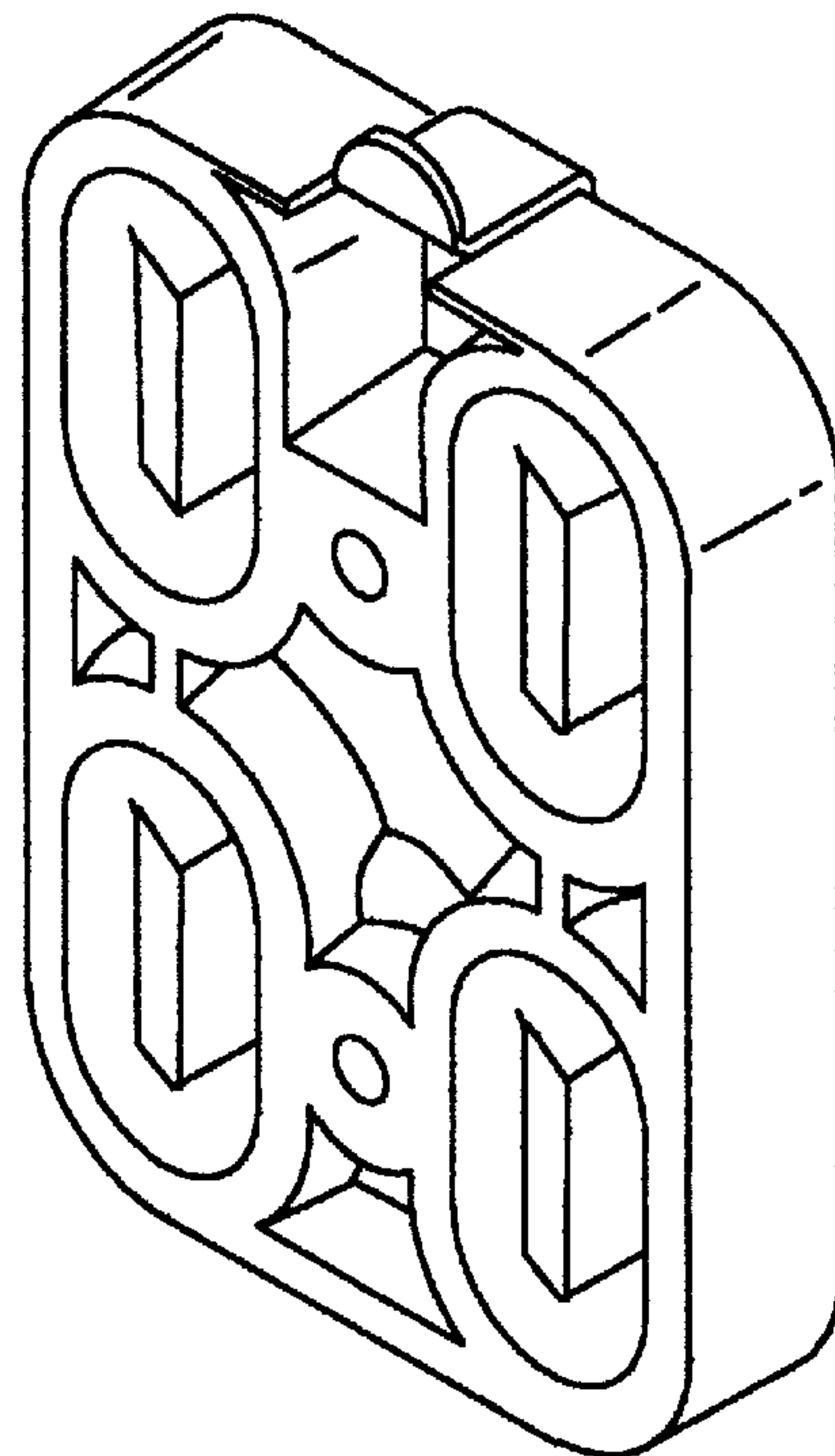


Fig. 27.

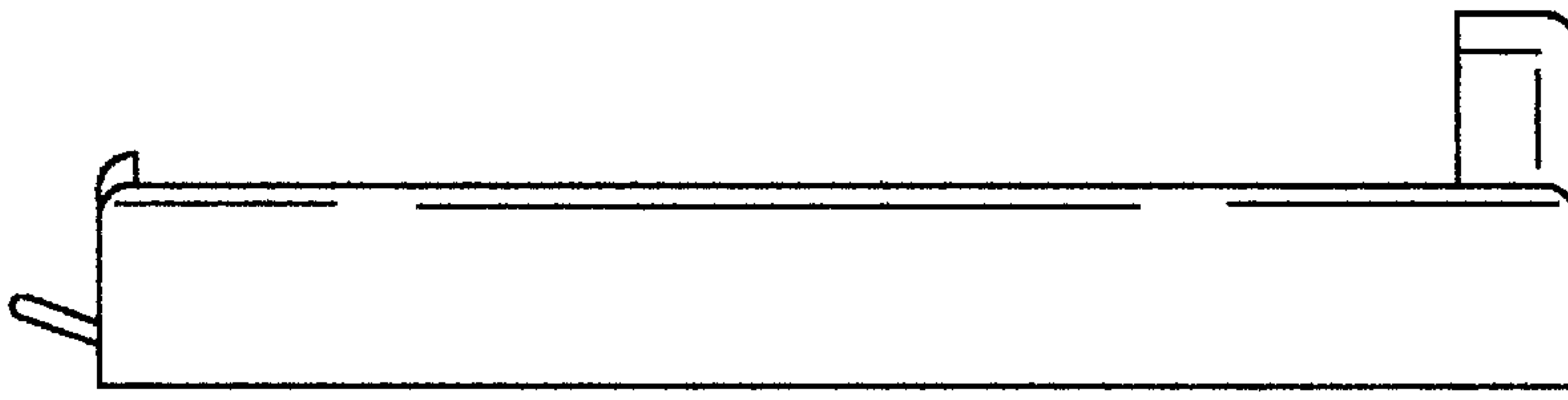


FIG. 28,

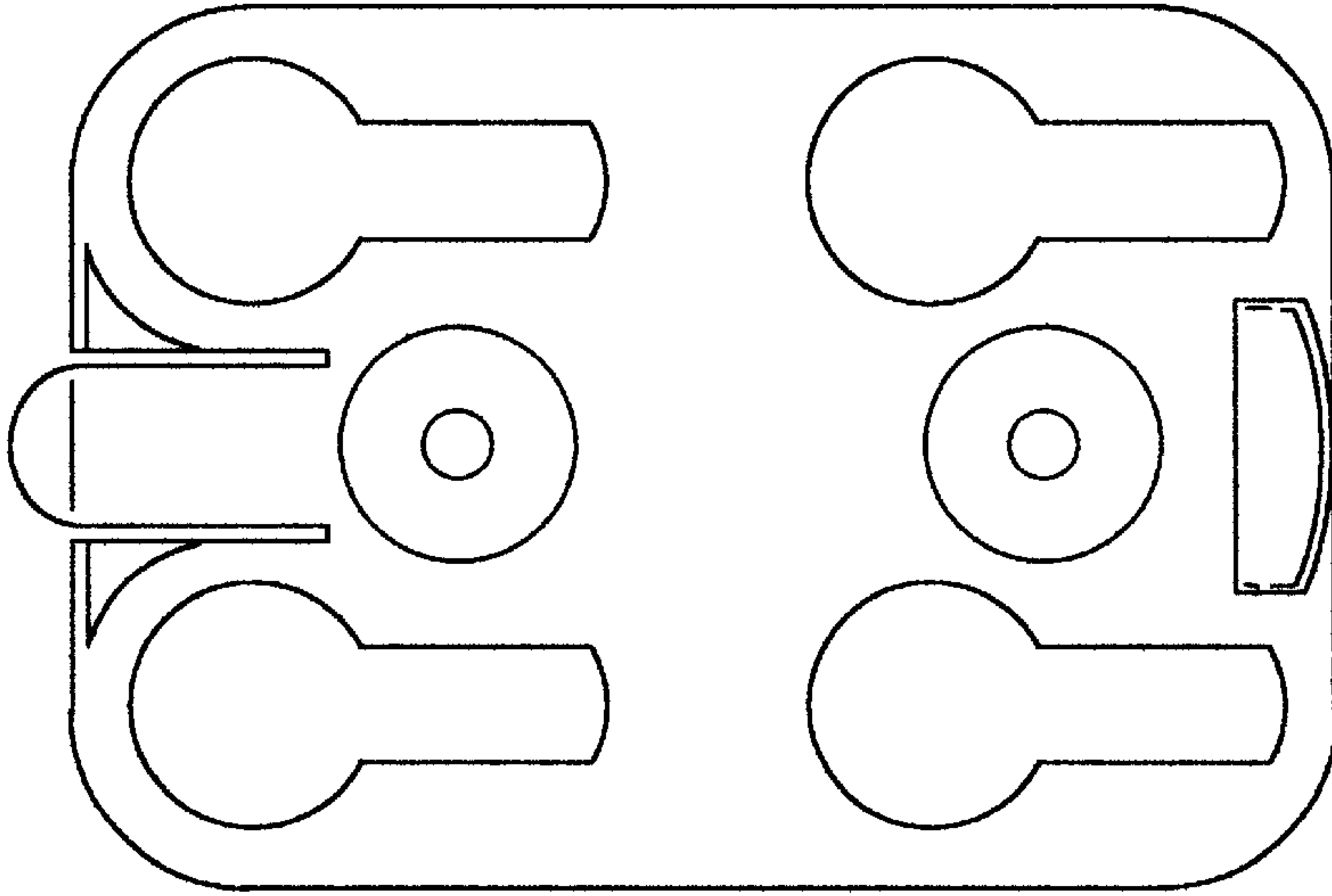


FIG. 29,

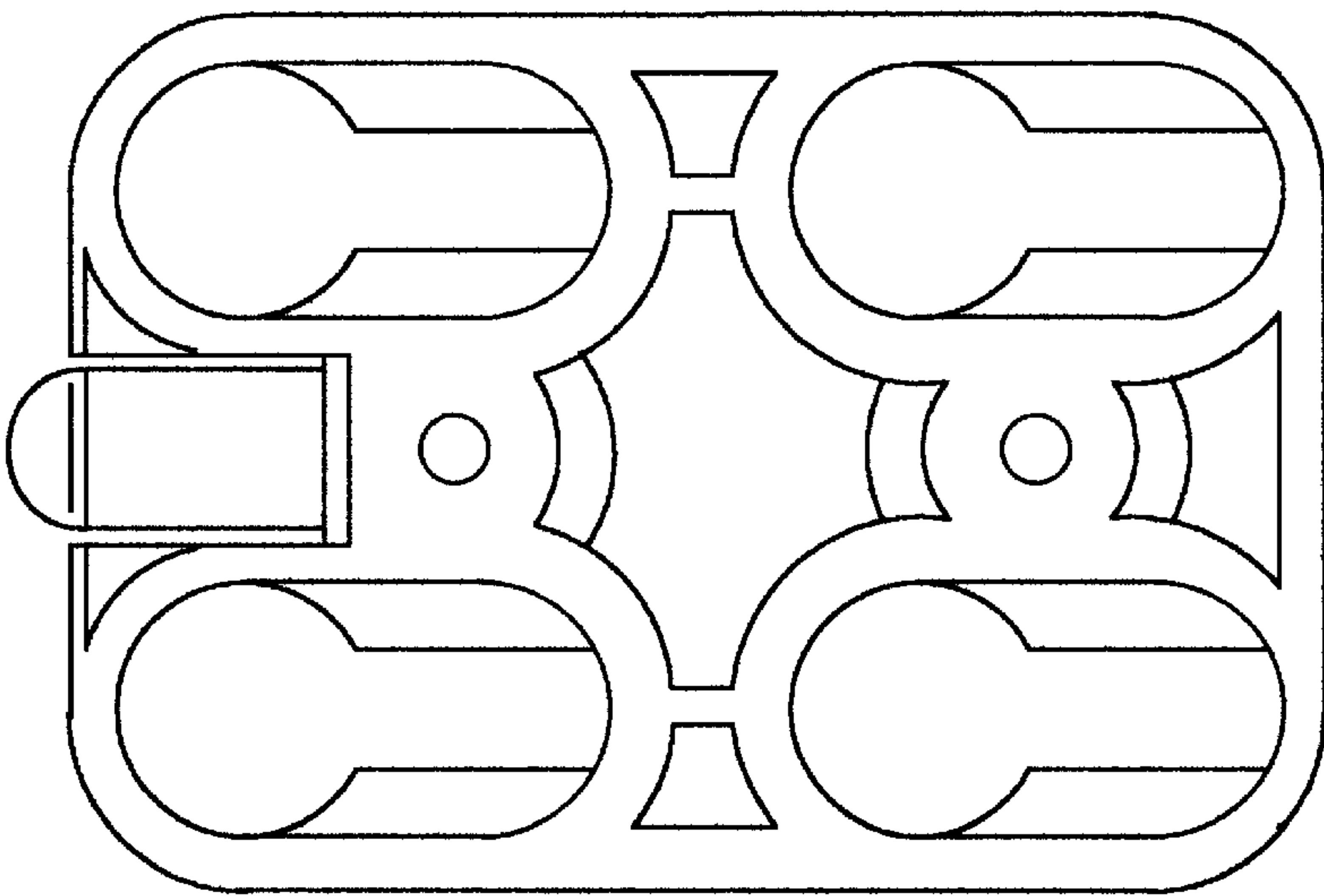


FIG. 31,

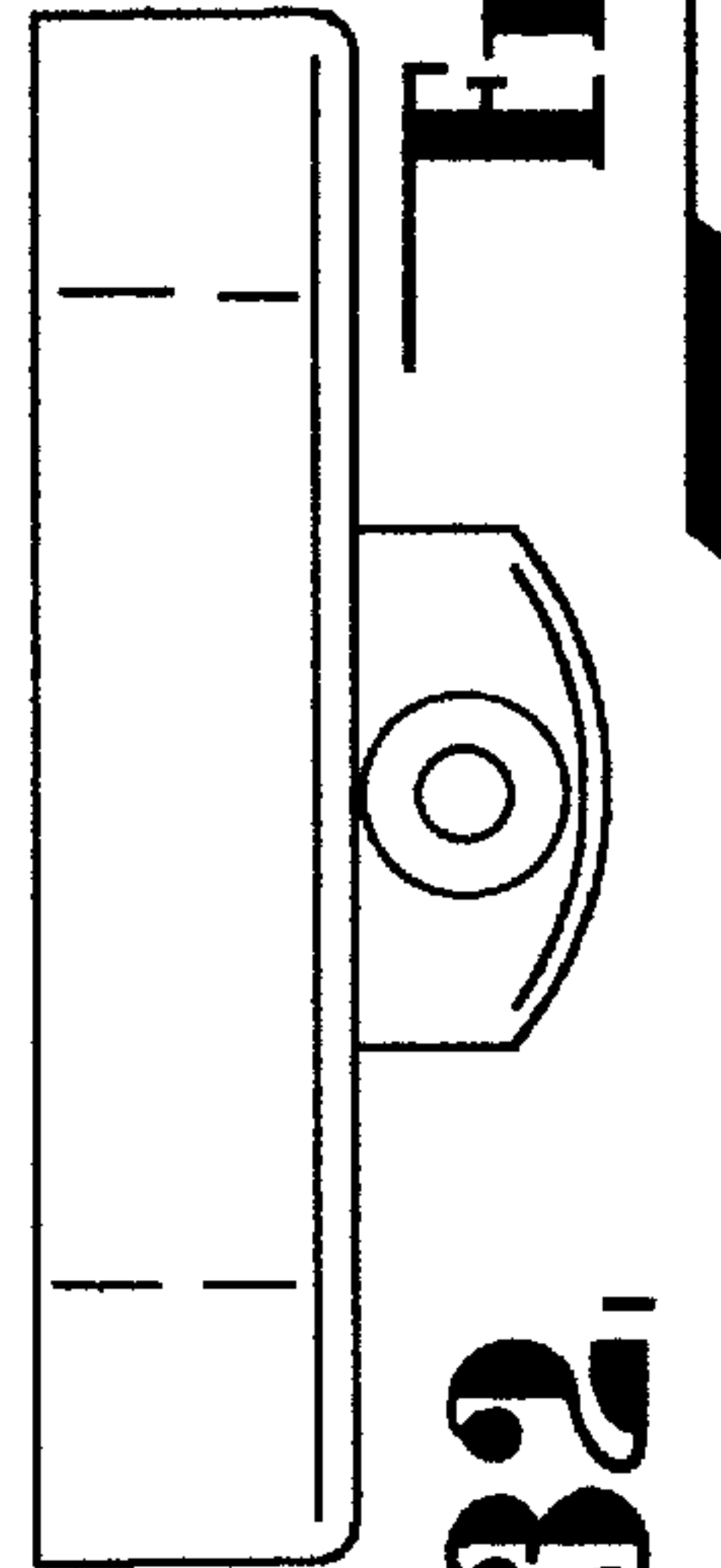


FIG. 30,

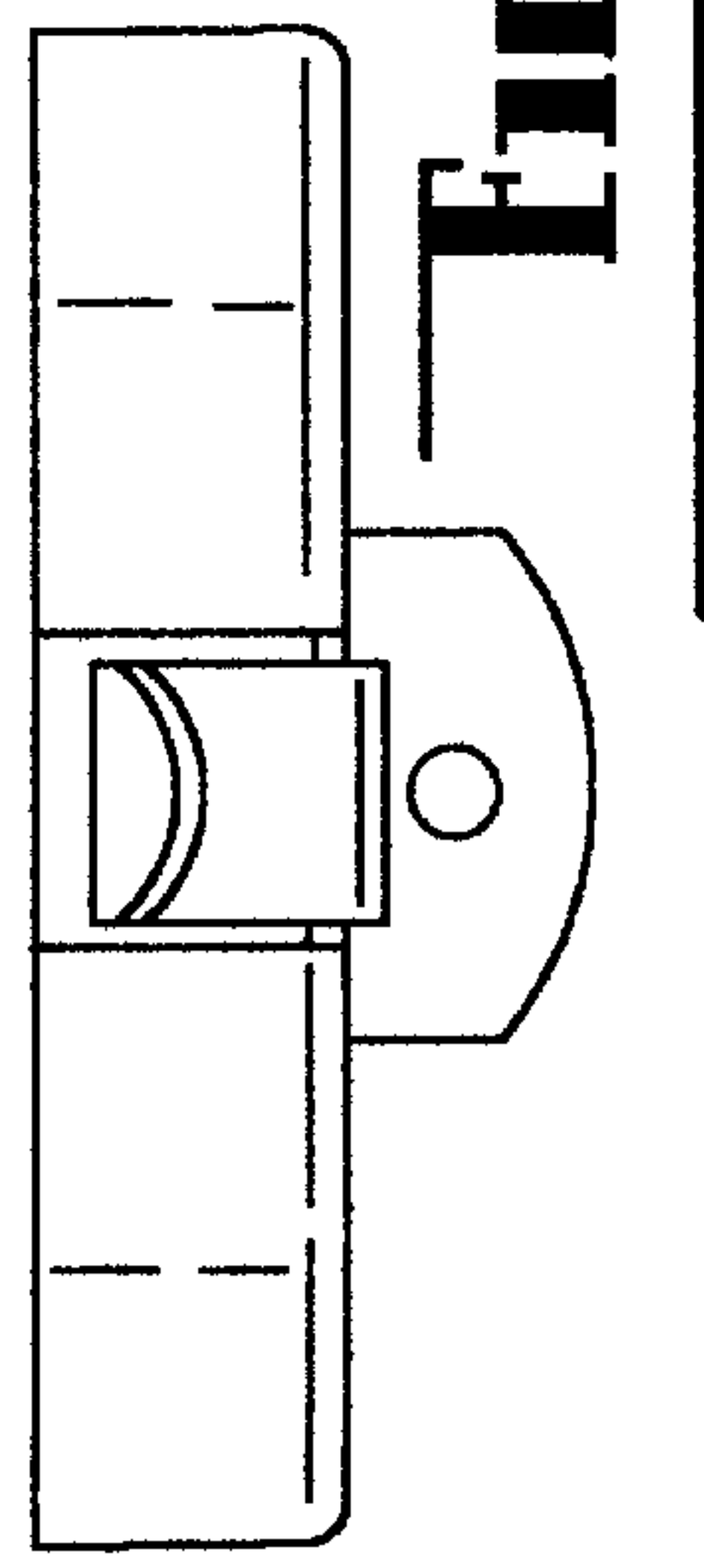
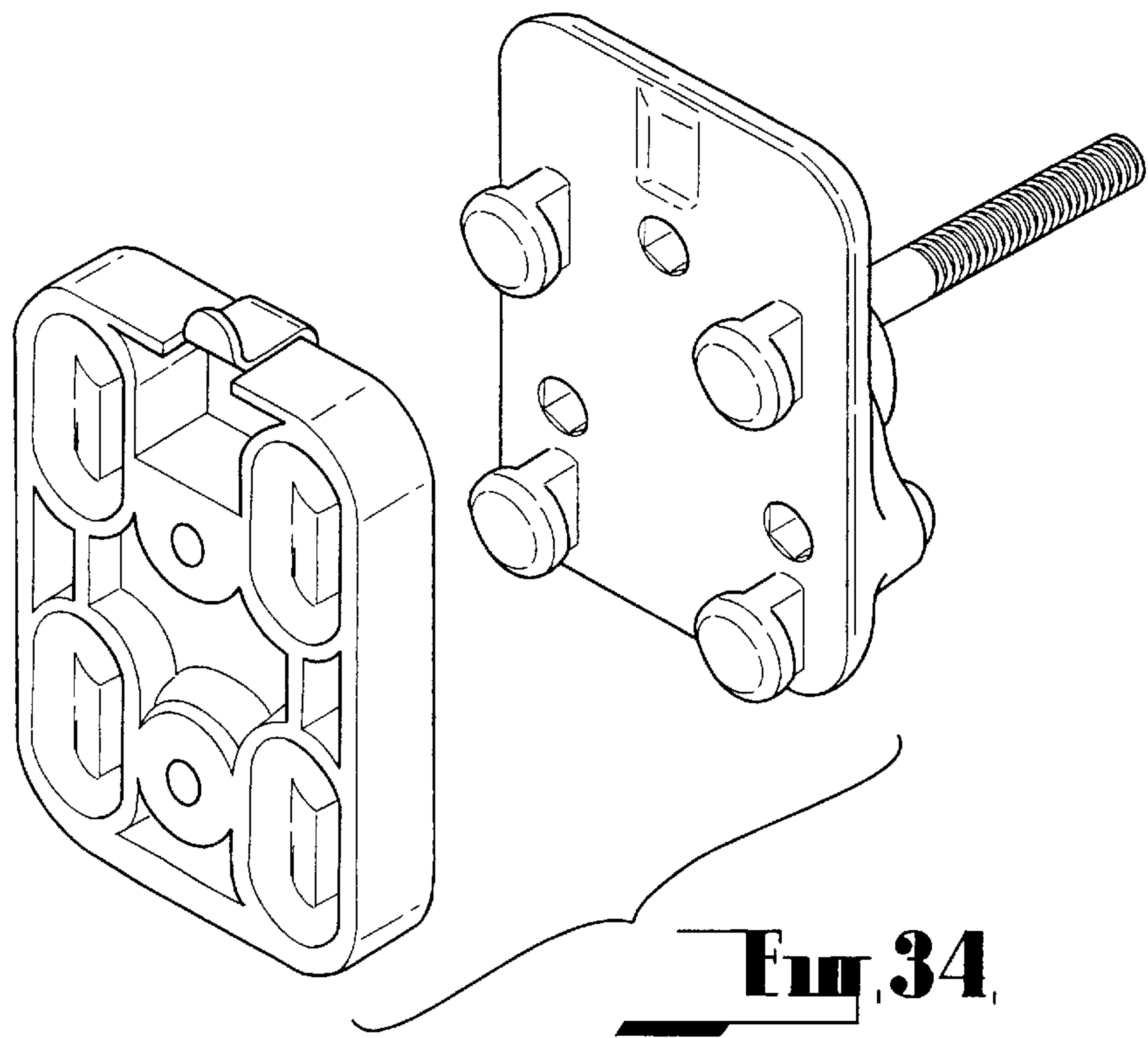
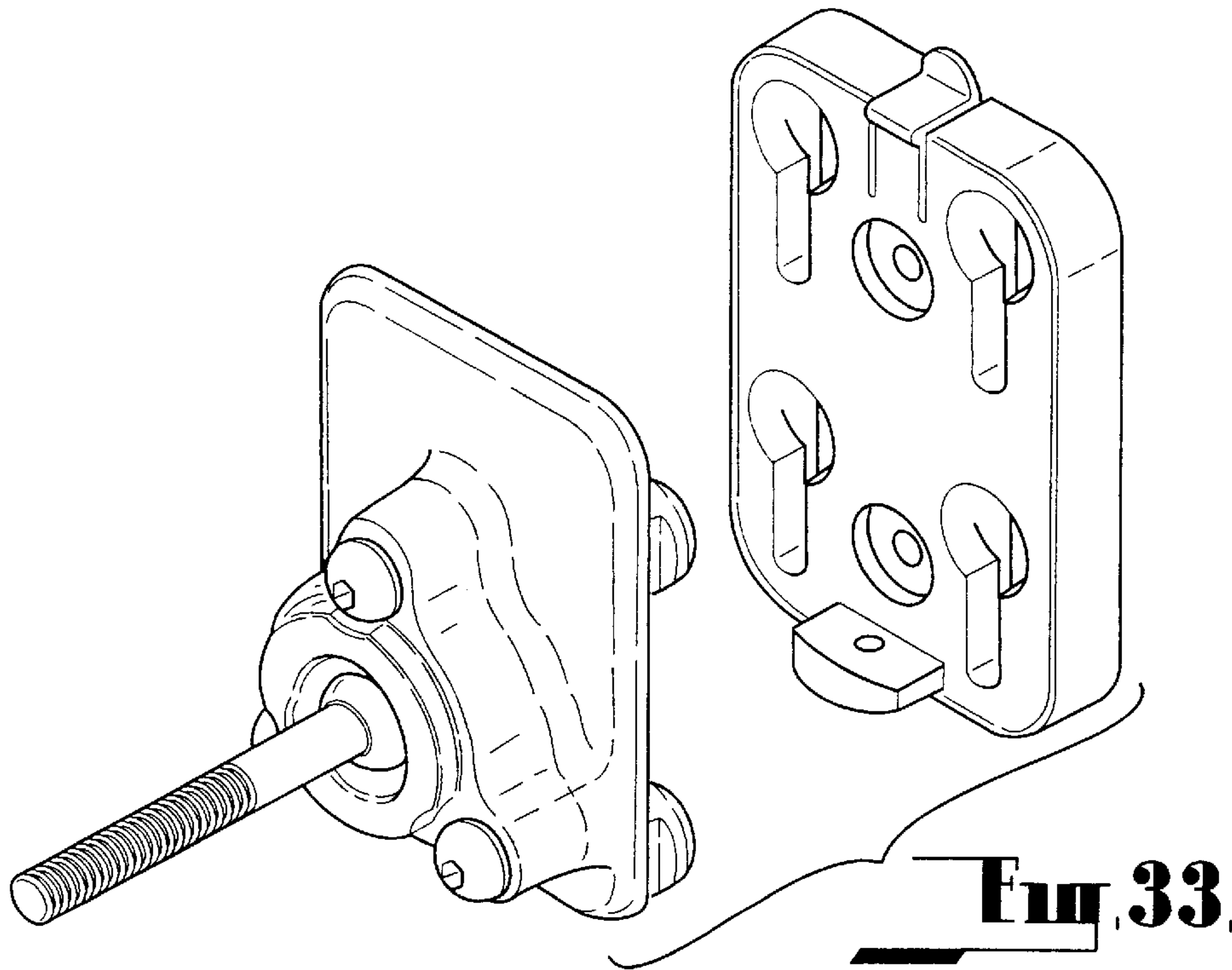


FIG. 32,



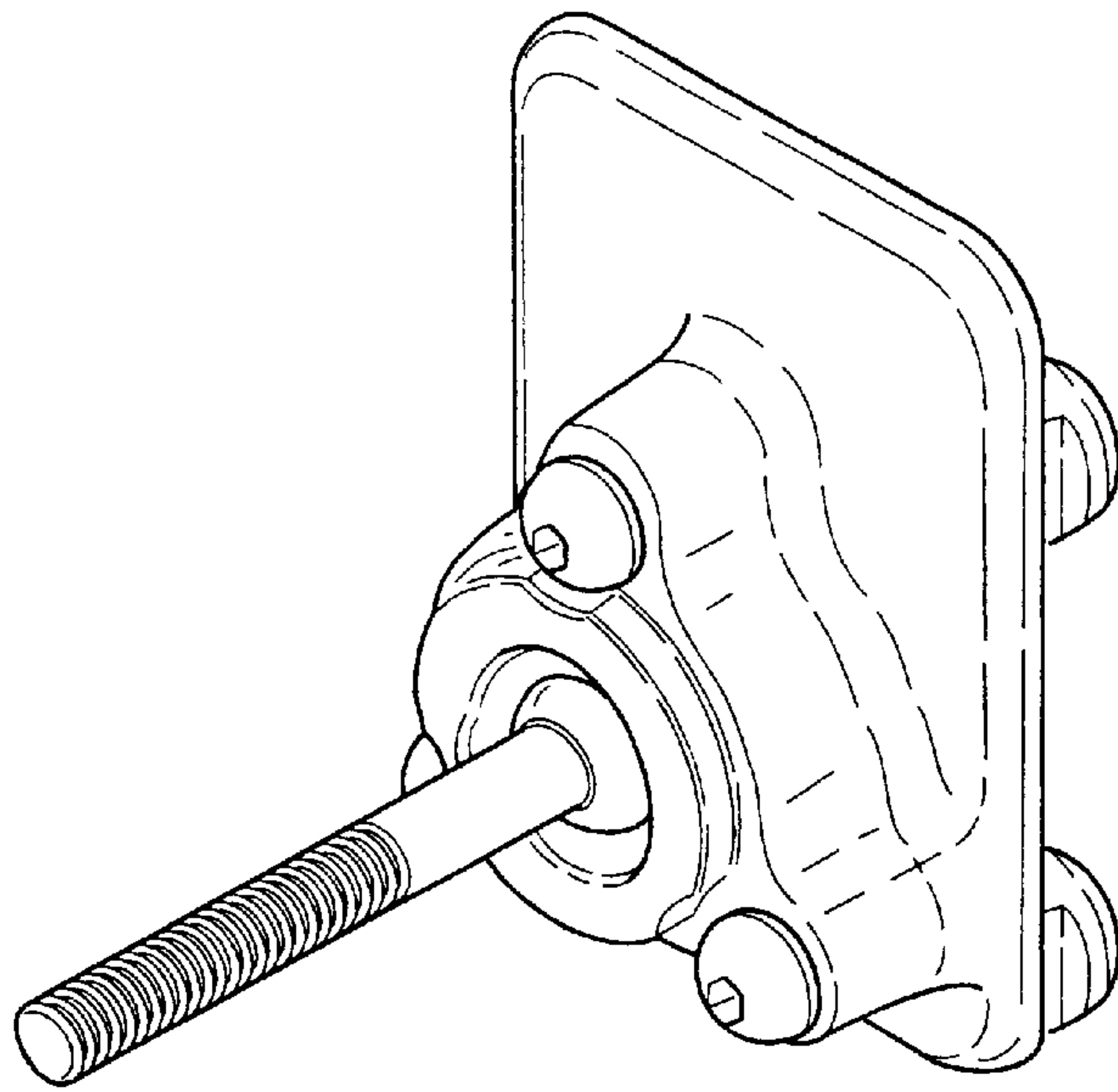


Fig. 35.

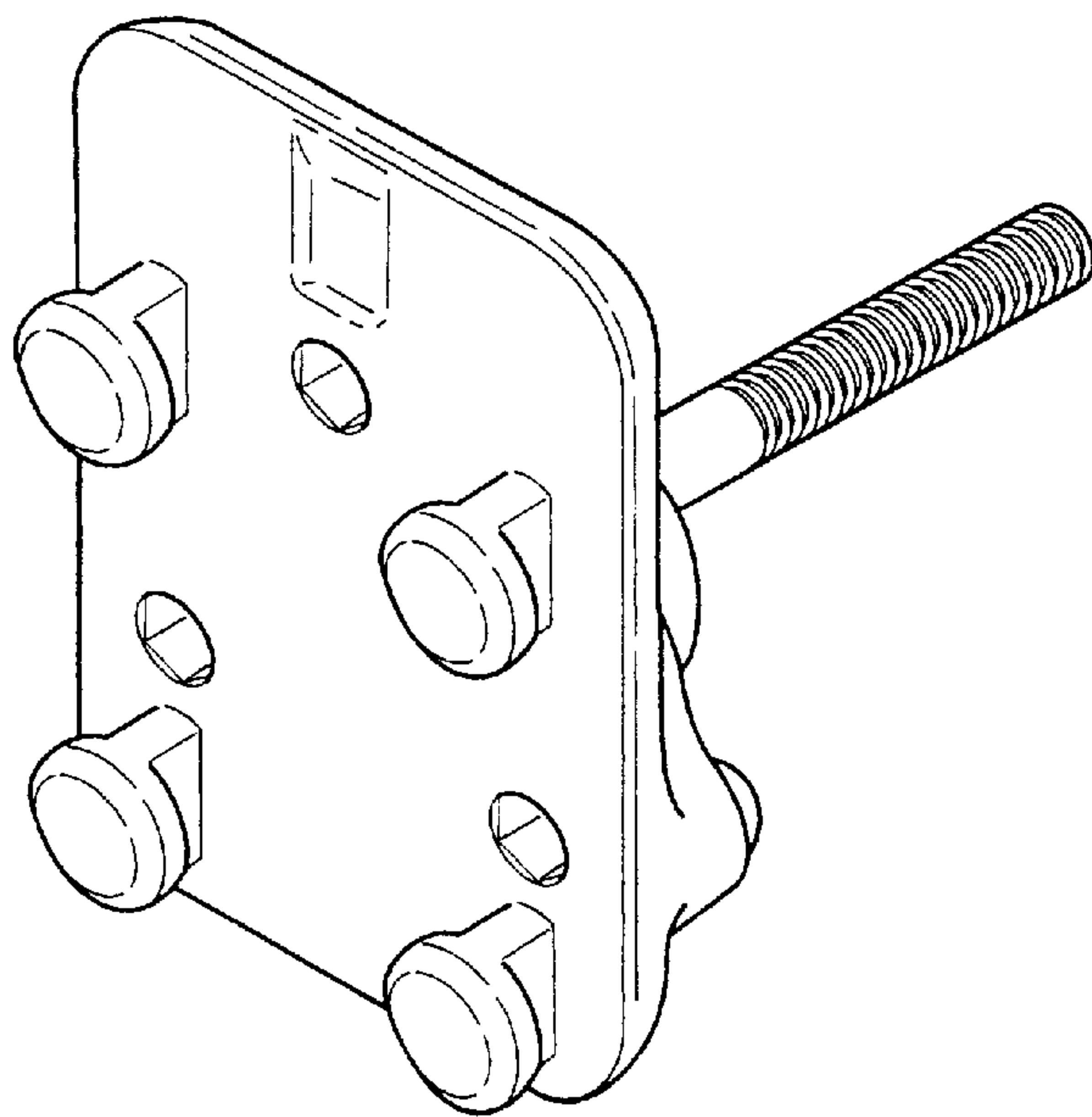


Fig. 36.

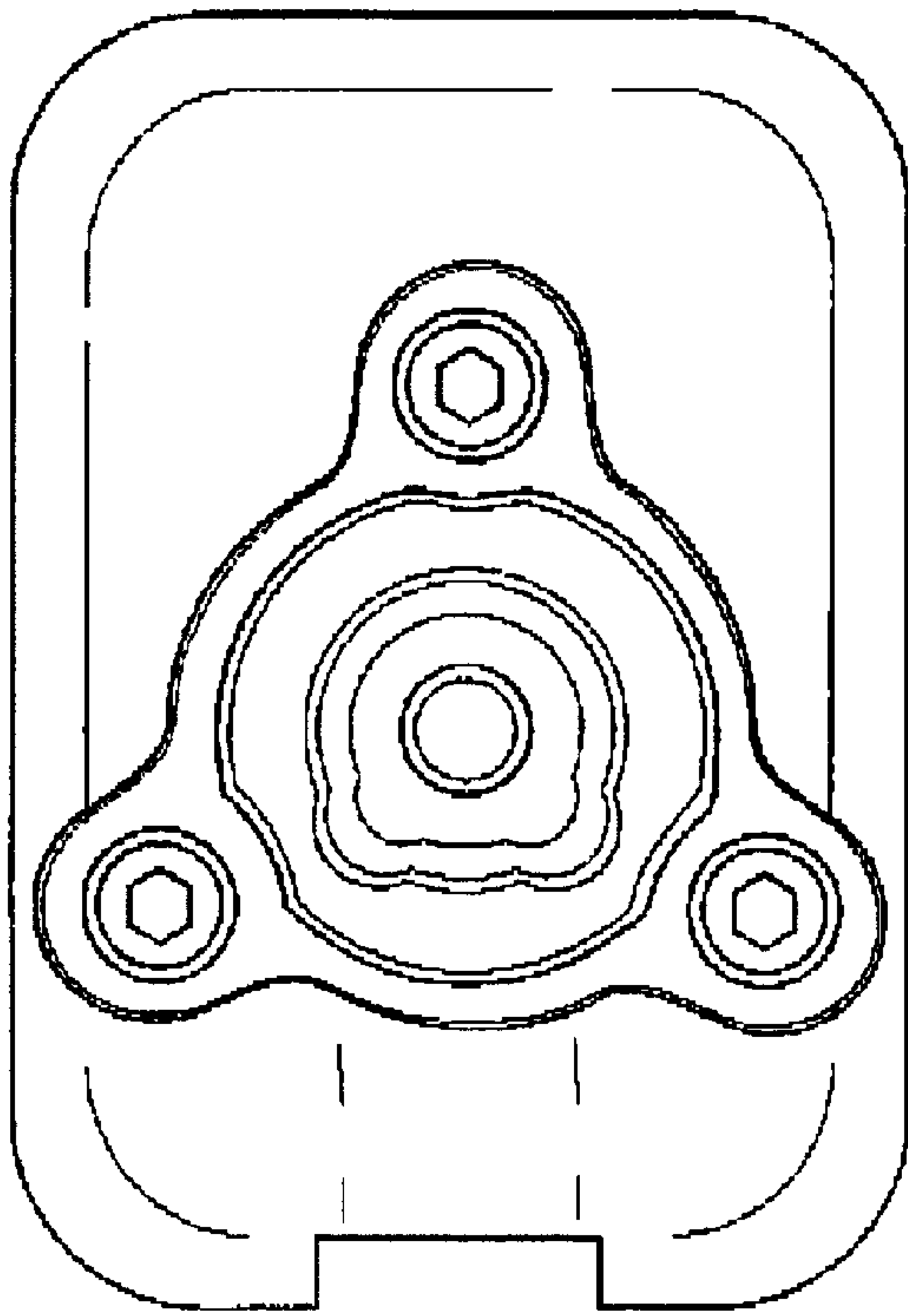


Fig. 37,

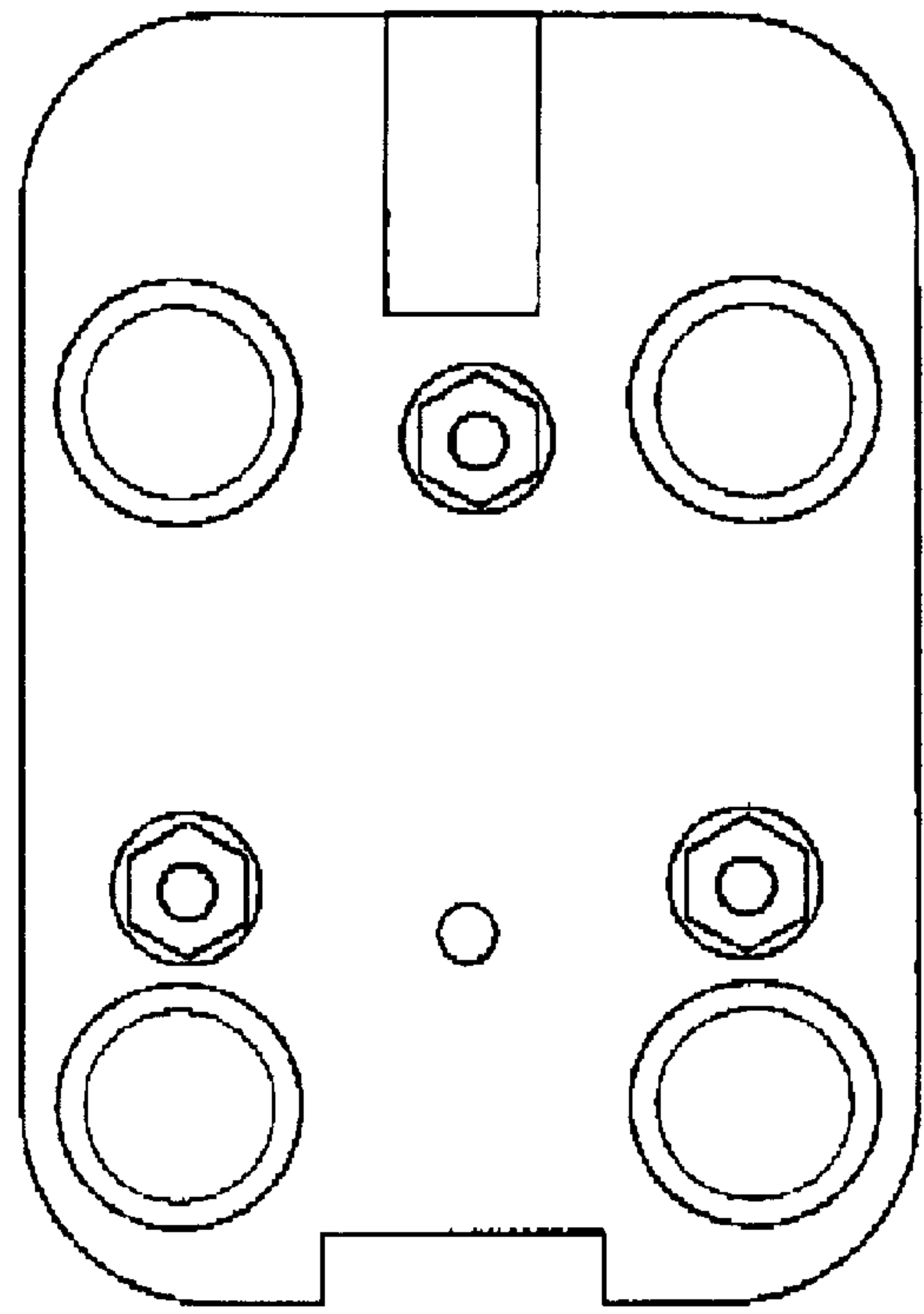


Fig. 38,

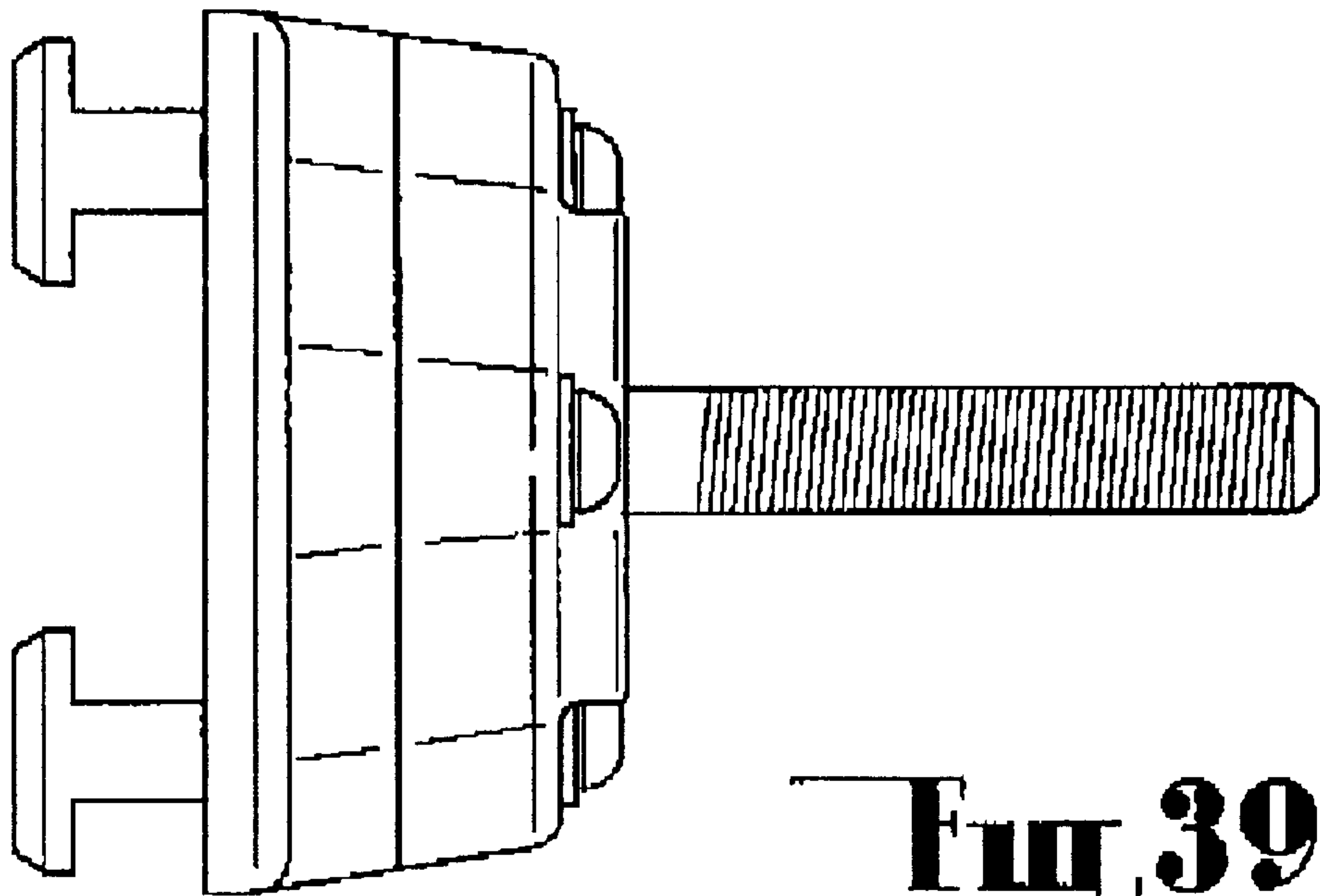


Fig. 39.

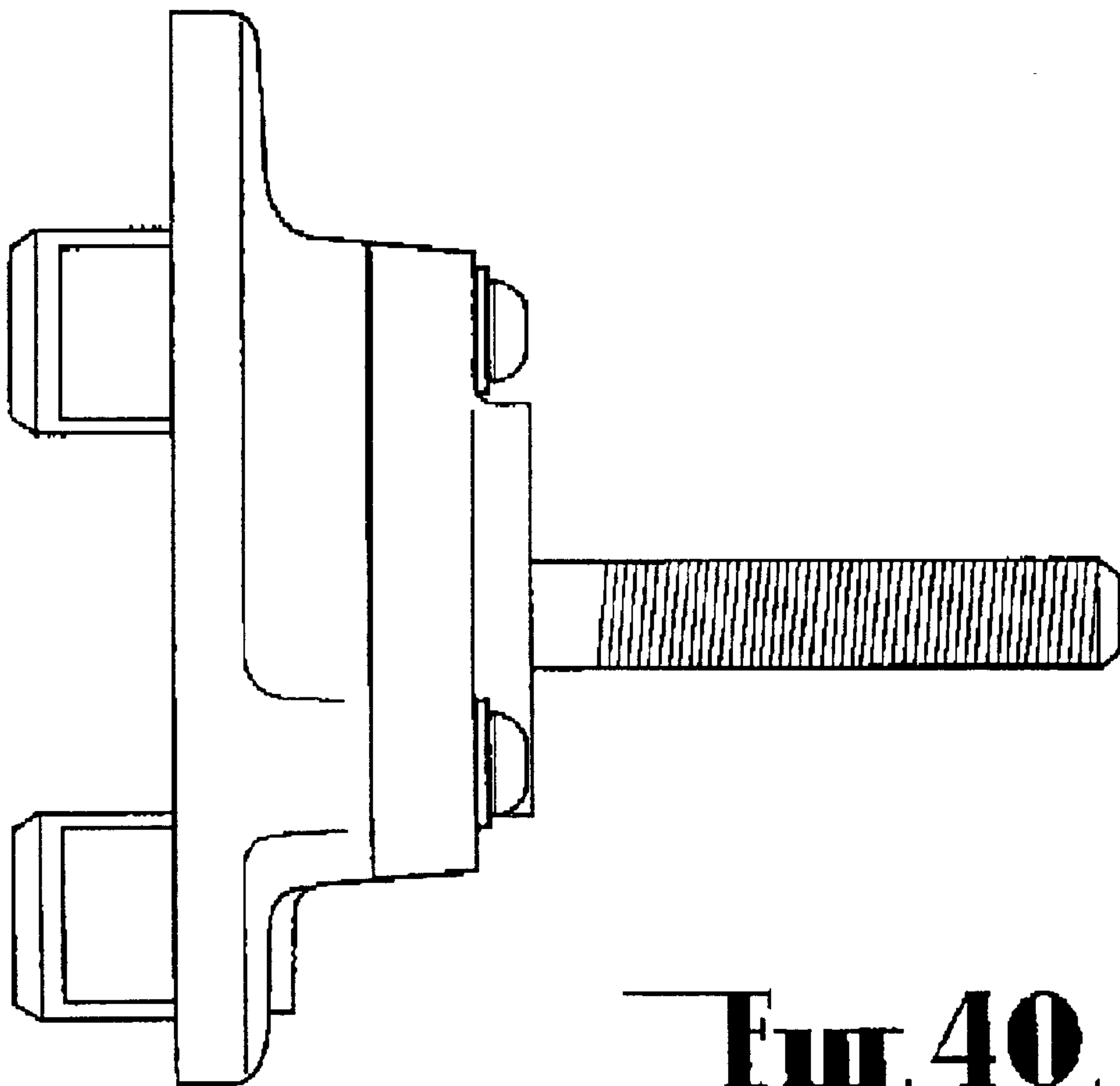


Fig. 40.