



US00D441270S

(12) **United States Design Patent**  
**Ramsey et al.**

(10) **Patent No.:** **US D441,270 S**

(45) **Date of Patent:** **\*\* May 1, 2001**

(54) **DOOR HANDLE ASSEMBLY FOR A VEHICLE LATCH**

(75) Inventors: **Marc O. Ramsey**, West Bloomfield;  
**Richard Cumming**, Oakland Township;  
**James D. Kavanaugh**, Northville;  
**David R. Labby**, Sterling Heights;  
**Wayne A. Pierce**, Washington; **Cynthia L. Hess**, Rochester, all of MI (US)

(73) Assignee: **DaimlerChrysler Corporation**, Auburn Hills, MI (US)

(\*\*) Term: **14 Years**

(21) Appl. No.: **29/114,410**

(22) Filed: **Nov. 23, 1999**

(51) **LOC (7) Cl.** ..... **08-06**

(52) **U.S. Cl.** ..... **D8/306; D8/313**

(58) **Field of Search** ..... D8/306, 313, 336;  
428/31; 292/DIG. 23, DIG. 42, DIG. 43,  
DIG. 5, 336.3, DIG. 67, DIG. 14, 169.11,  
347; D12/197; 16/110.1

(56) **References Cited**

**U.S. PATENT DOCUMENTS**

D. 175,235	7/1955	Schwarz	.....	D12/197
D. 192,415	3/1962	Sordinot, Jr.	.....	D12/197 X
D. 200,769	4/1965	Golden	.....	D12/197

D. 393,617	4/1998	Smith et al.	.....	D12/197
2,603,963	*	7/1952	Allen .	
5,295,374	*	3/1994	Bender et al.	..... 292/DIG. 43
5,549,940		8/1996	Noone	..... 428/31
5,651,163	*	7/1997	Tamaki	..... 16/110.1
5,961,165	*	10/1999	Aizawa et al.	..... 392/336.3

\* cited by examiner

*Primary Examiner*—B. J. Bullock

(57) **CLAIM**

The ornamental design for a door handle assembly for a vehicle latch, as shown and described.

**DESCRIPTION**

FIG. 1 is a perspective view of a door handle assembly for a vehicle latch.

FIG. 2 is a front view thereof.

FIG. 3 is a top view thereof.

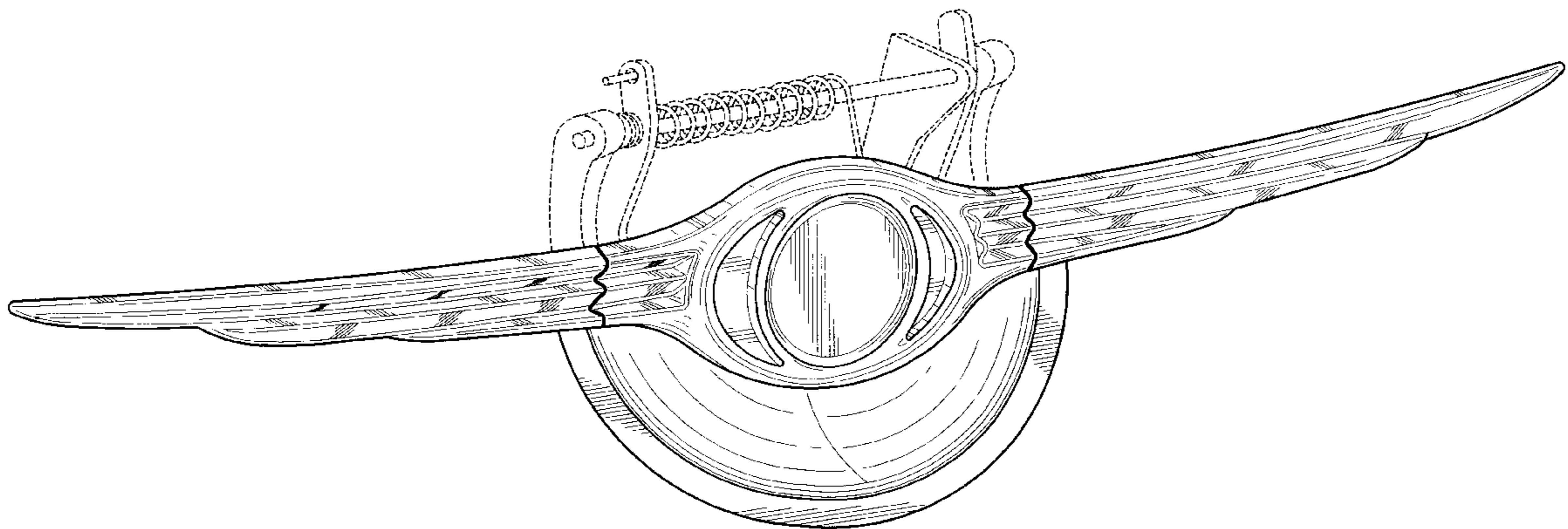
FIG. 4 is a left side view thereof, it being understood that the opposite side is a mirror image.

FIG. 5 is a bottom view thereof; and,

FIG. 6 is a bottom view similar to FIG. 5, illustrating a central portion of the handle assembly rotated from the position shown in the remaining views.

It will be understood that the hidden line representation throughout the drawings is for illustrative purposes only and forms no part of the subject invention.

**1 Claim, 3 Drawing Sheets**



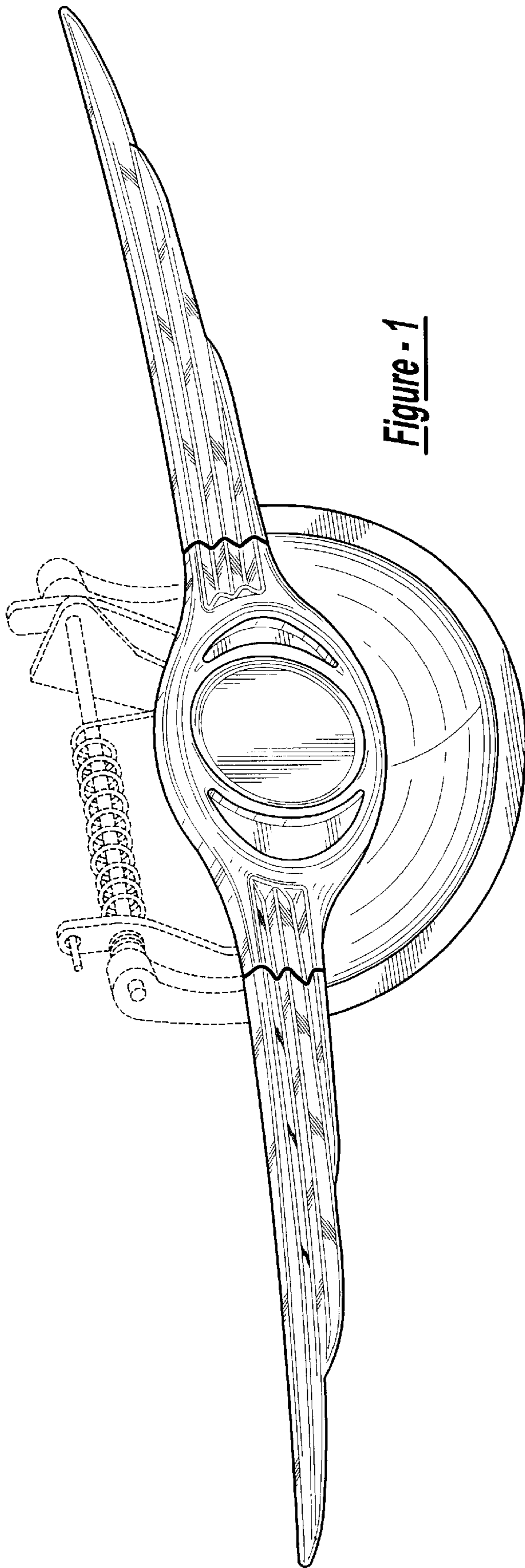


Figure - 1

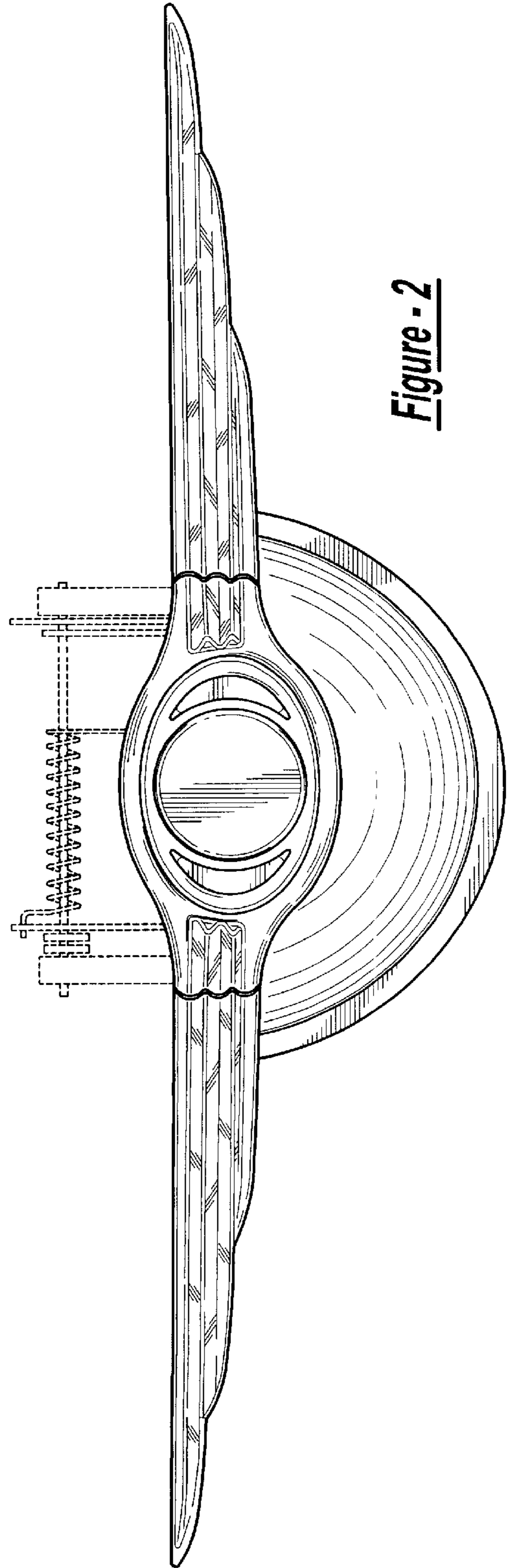


Figure - 2

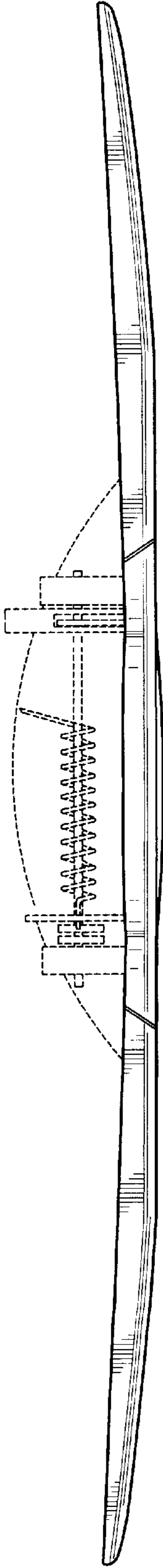


Figure - 3

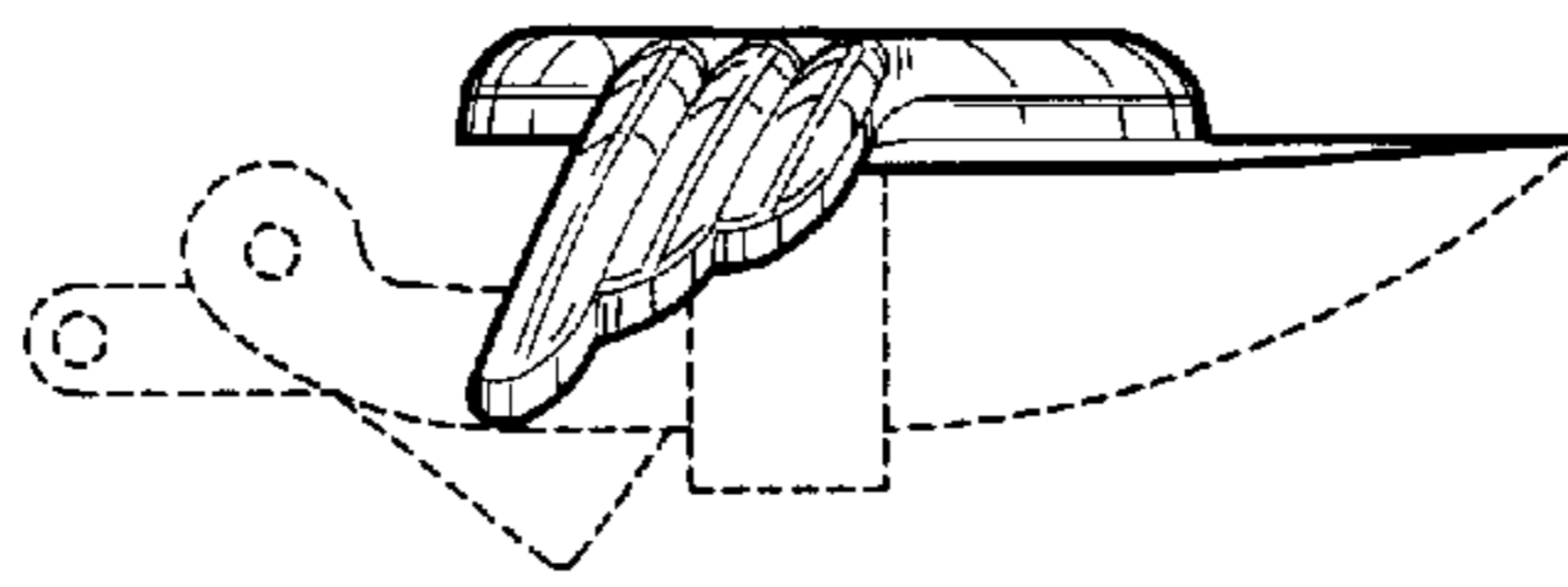
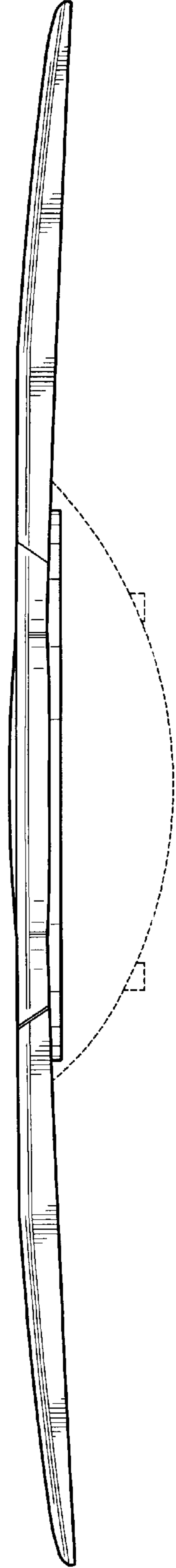


Figure - 4

Figure - 5



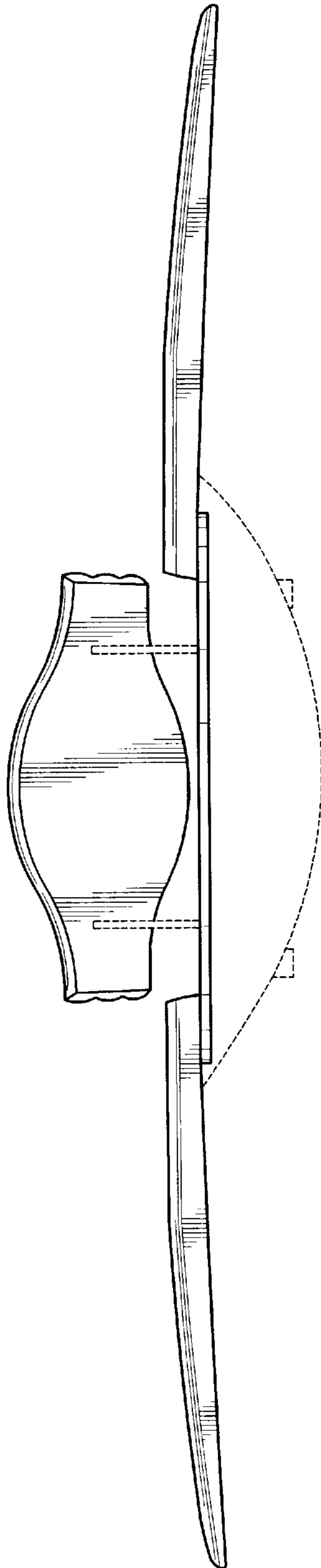


Figure - 6