



US00D441268S

(12) **United States Design Patent**
Heun

(10) **Patent No.:** **US D441,268 S**

(45) **Date of Patent:** **** May 1, 2001**

(54) **ELECTRIC DRILL**

(75) **Inventor:** **Ping Hay Heun, Aberdeen (HK)**

(73) **Assignee:** **Choon Nang Electrical Appliance Mfy. Ltd., Aberdeen (HK)**

(**) **Term:** **14 Years**

(21) **Appl. No.:** **29/128,784**

(22) **Filed:** **Aug. 31, 2000**

(30) **Foreign Application Priority Data**

Mar. 15, 2000 (GB) 2091393

(51) **LOC (7) Cl.** **08-01**

(52) **U.S. Cl.** **D8/68**

(58) **Field of Search** D8/61-70; 81/57.11, 81/474, 54, 57.42, 177.8; 173/170, 48, 15, 2; 408/241 S; 415/344, 358; 30/388

(56) **References Cited**

U.S. PATENT DOCUMENTS

D. 280,797	*	10/1985	Sakamoto et al.	D8/68
D. 316,021	*	4/1991	Bunyea	D8/68
D. 319,763	*	9/1991	Reiferscheid	D8/68
D. 330,152	*	10/1992	Ogawa et al.	D8/68
D. 332,208	*	1/1993	Sakamoto et al.	D8/68
D. 337,038	*	7/1993	Sakamoto et al.	D8/68
D. 337,710	*	7/1993	Lui et al.	D8/68
D. 342,878	*	1/1994	Watanabe et al.	D8/68
D. 396,621	*	8/1998	Zurwelle	D8/68

D. 406,511	*	3/1999	Zurwelle	D8/68
D. 406,740	*	3/1999	Zurwelle	D8/68
D. 406,741	*	3/1999	Zurwelle	D8/68
D. 426,125	*	6/2000	Hayakawa et al.	D8/68
4,647,260	*	3/1987	O'Hara et al.	408/241 S
5,056,607	*	10/1991	Sanders	173/48
5,094,133	*	3/1992	Schreiber	81/474
5,230,261	*	7/1993	Akazawa et al.	81/54
5,360,073	*	11/1994	Akazawa	173/15
5,984,020	*	11/1999	Meyer et al.	173/2

* cited by examiner

Primary Examiner—Jeffrey Asch

(74) *Attorney, Agent, or Firm*—Leydig, Voit & Mayer, Ltd.

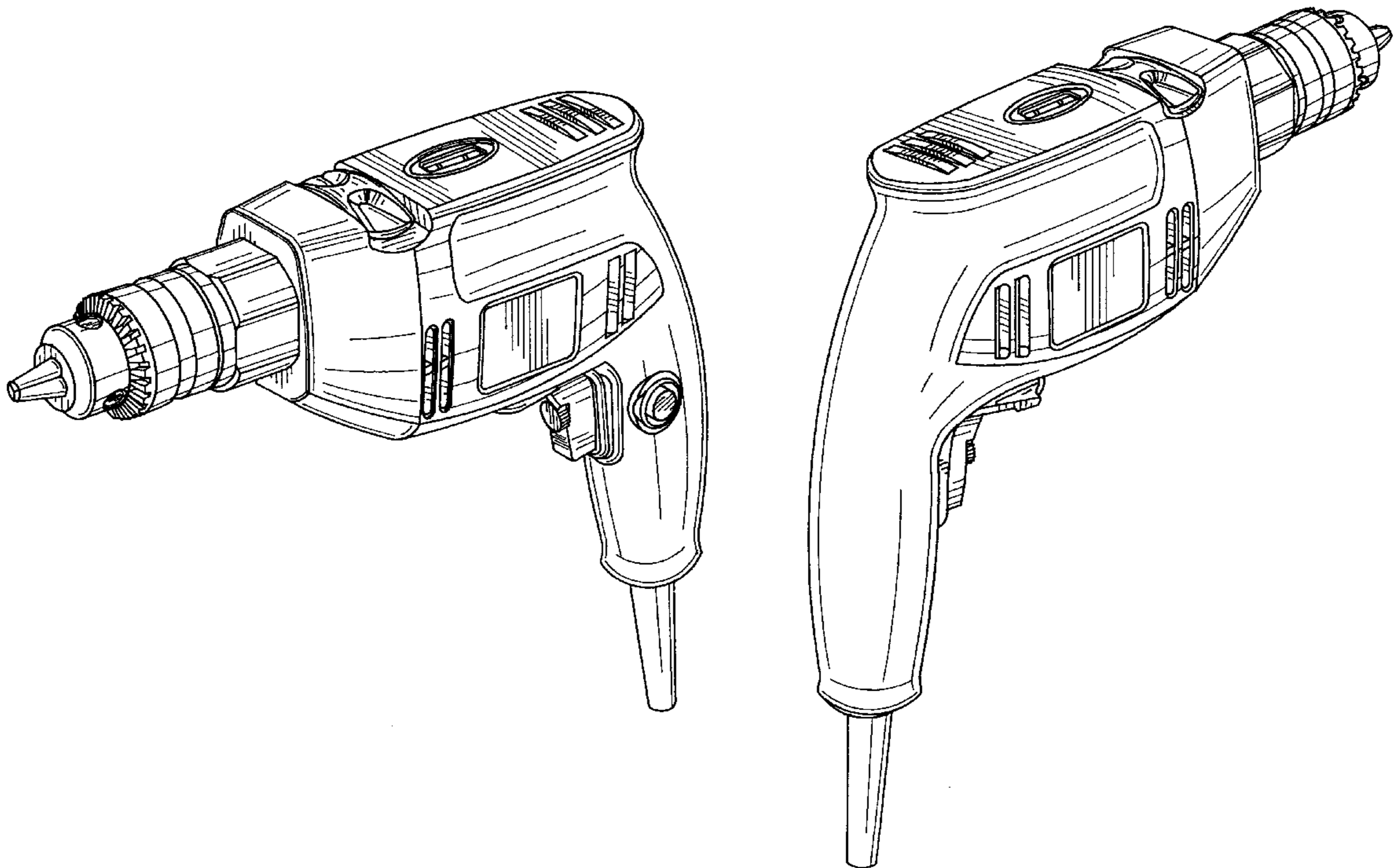
(57) **CLAIM**

The ornamental design for an electric drill, as shown and described.

DESCRIPTION

FIG. 1 is a front end, left side and top perspective view of an electric drill showing my new design;
 FIG. 2 is a rear end, right side and top perspective view thereof;
 FIG. 3 is a left side elevational view thereof;
 FIG. 4 is a top plan view thereof;
 FIG. 5 is a right side elevational view thereof;
 FIG. 6 is a bottom plan view thereof;
 FIG. 7 is a front end elevational view thereof; and,
 FIG. 8 is a rear end elevational view thereof.

1 Claim, 5 Drawing Sheets



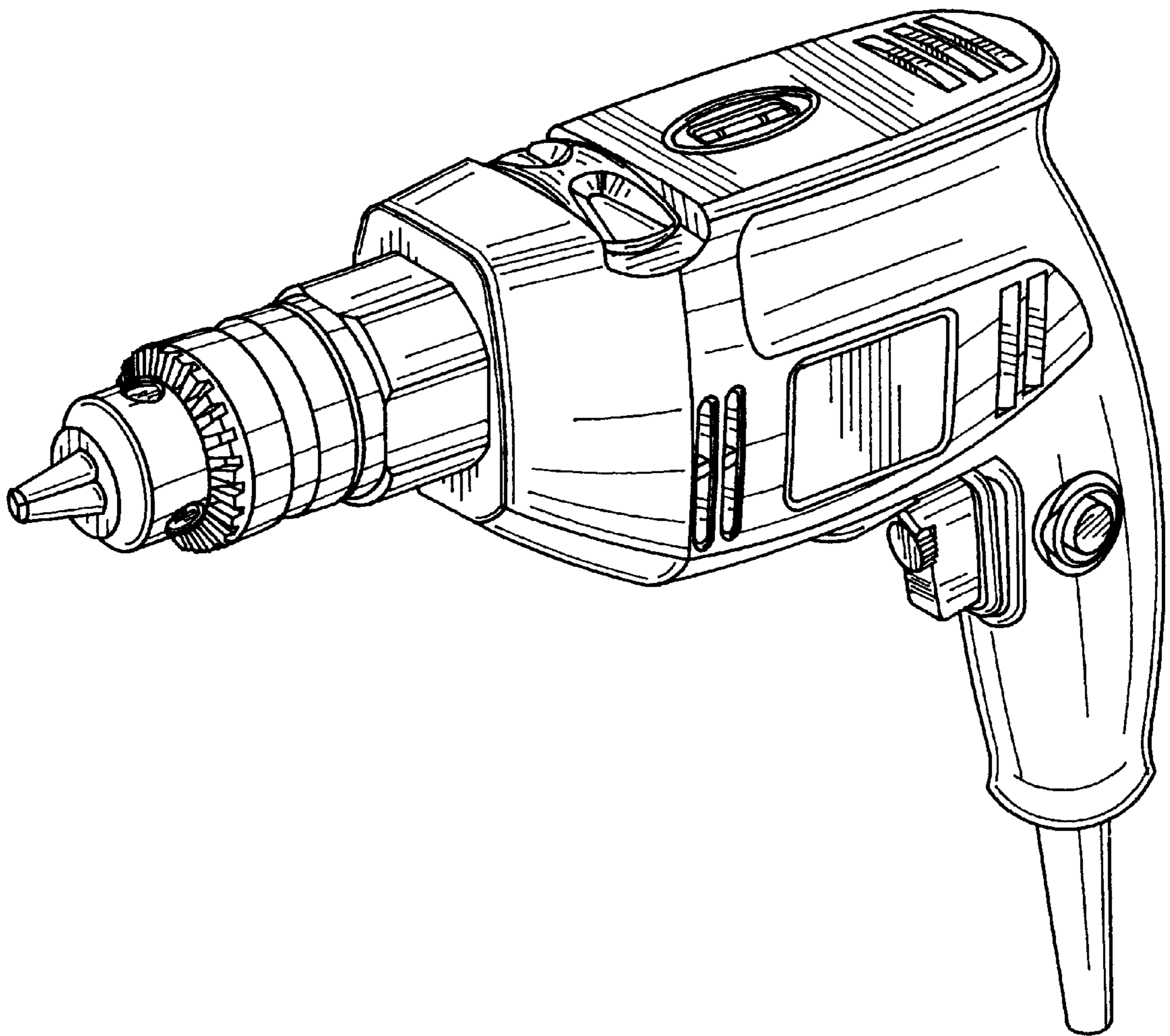


FIG. 1

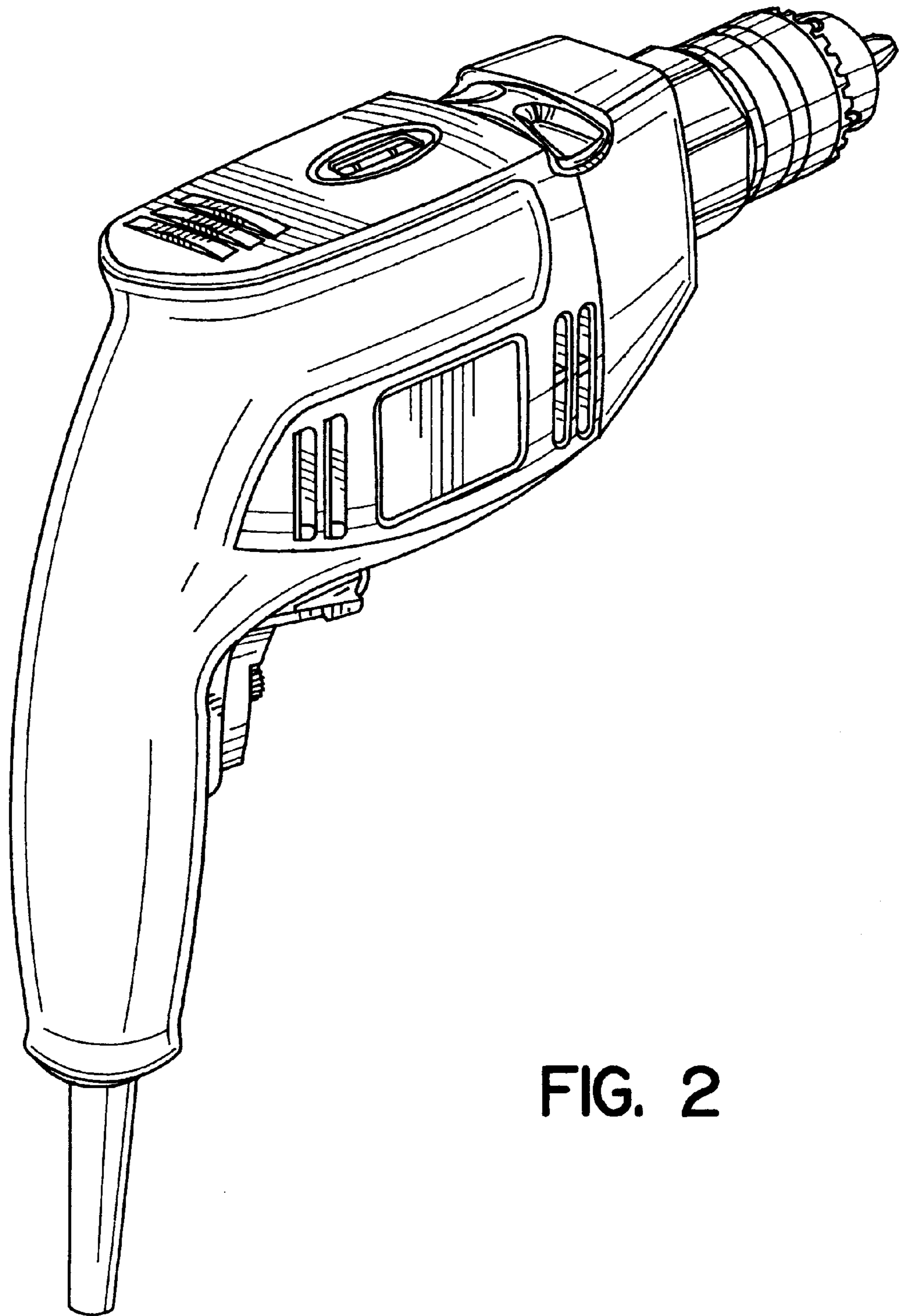


FIG. 2

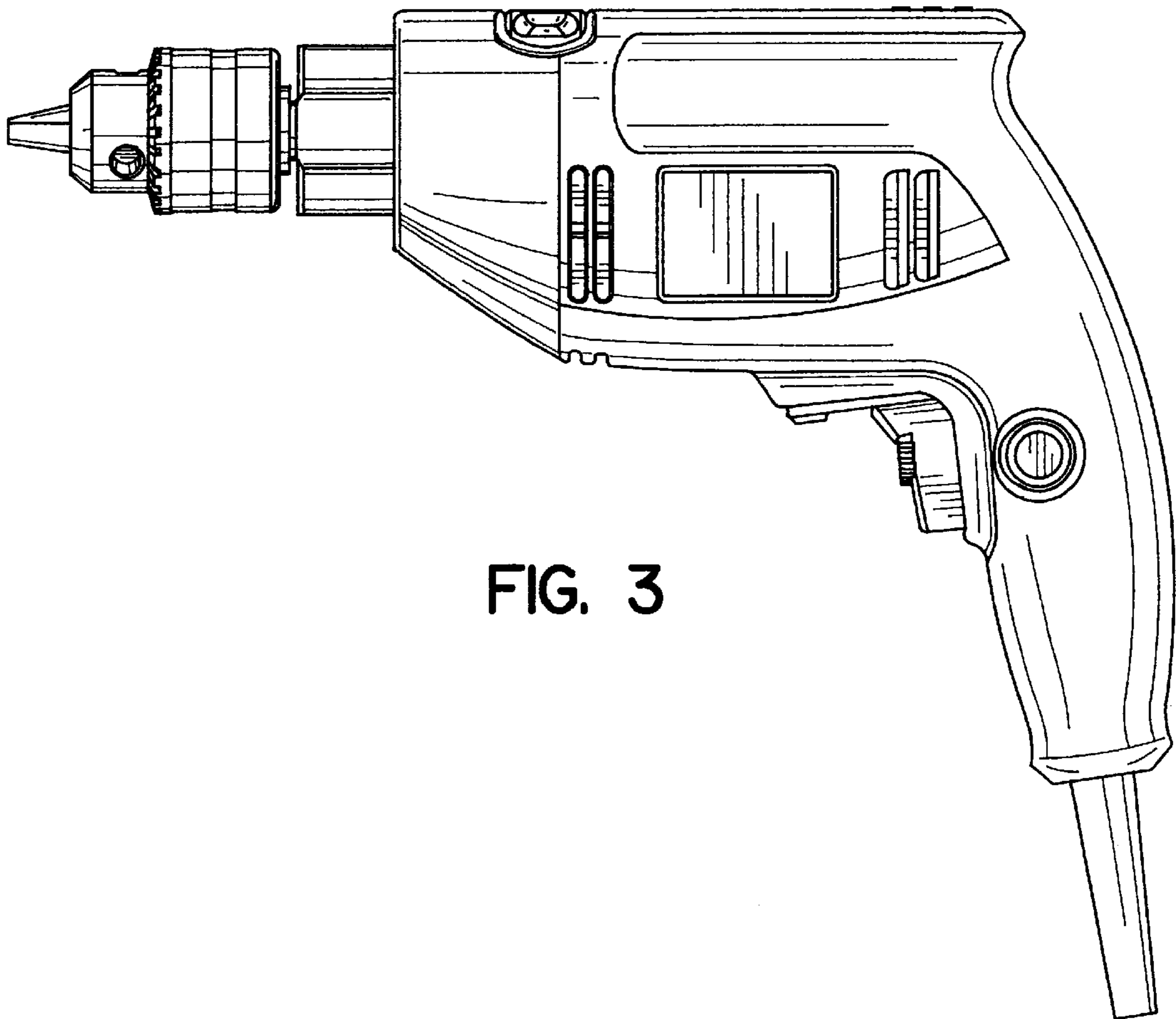


FIG. 3

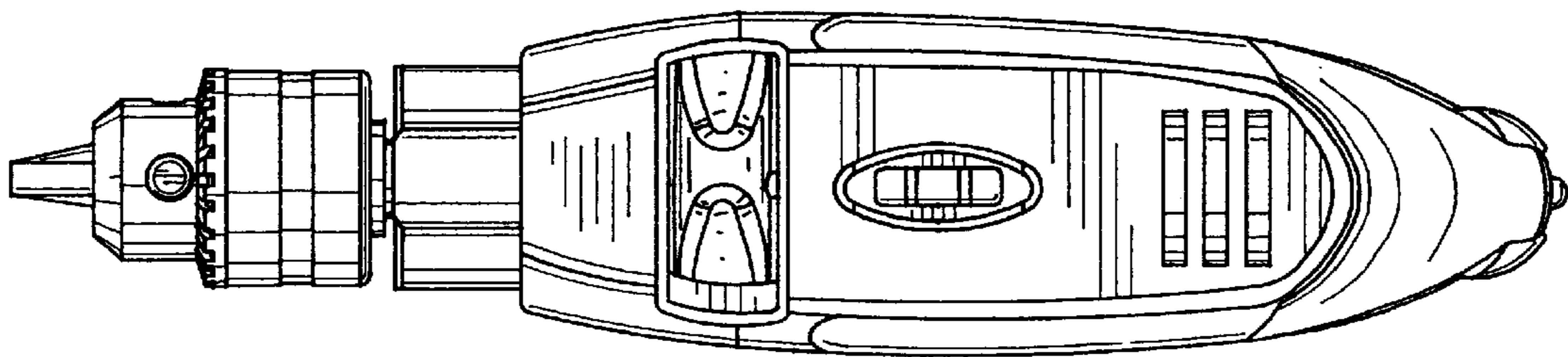


FIG. 4

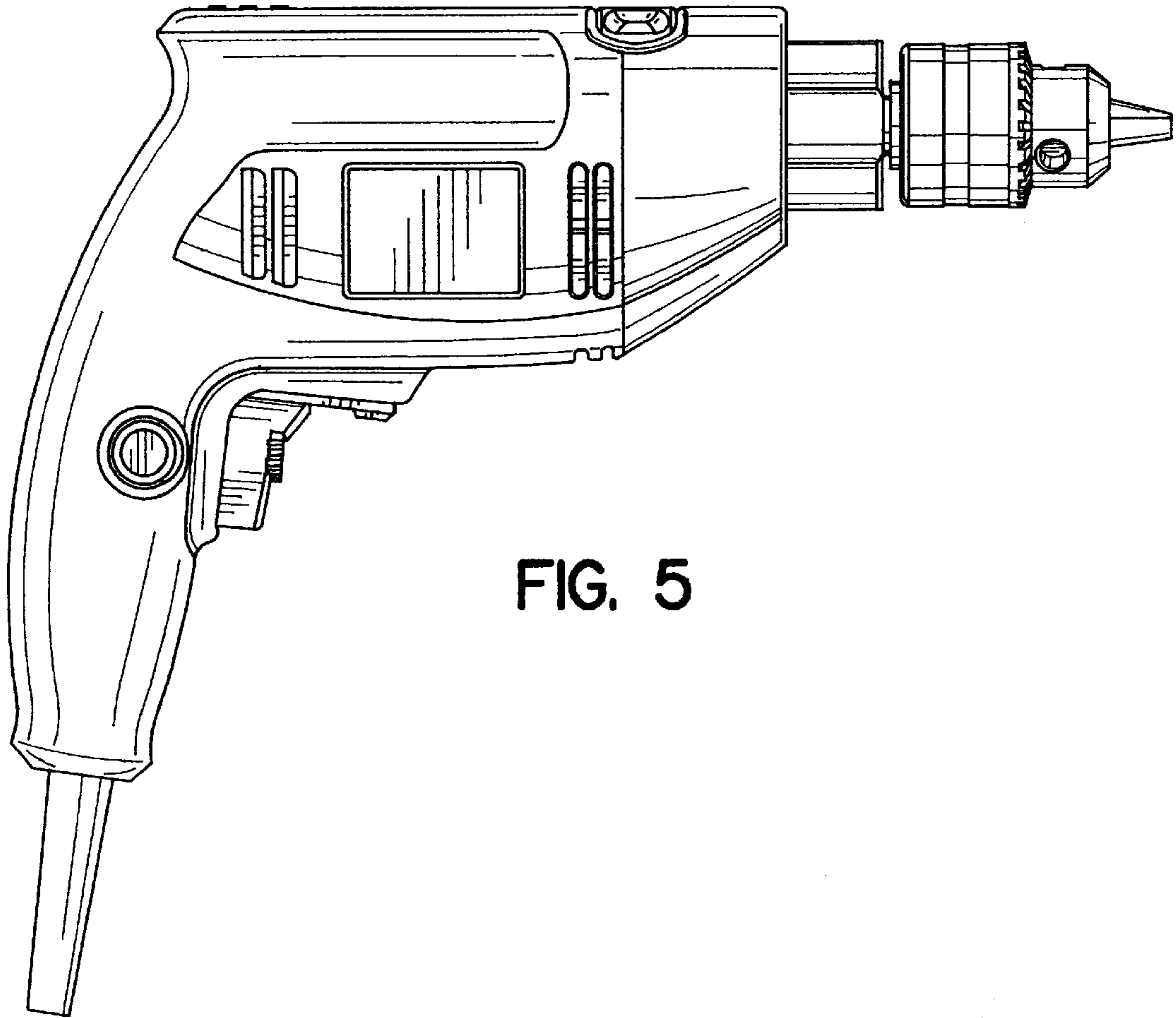


FIG. 5

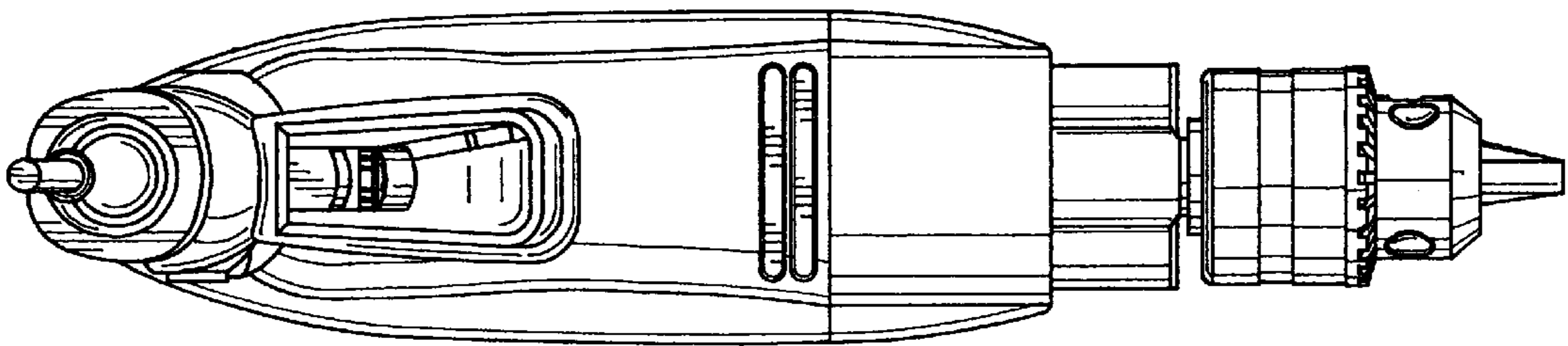


FIG. 6

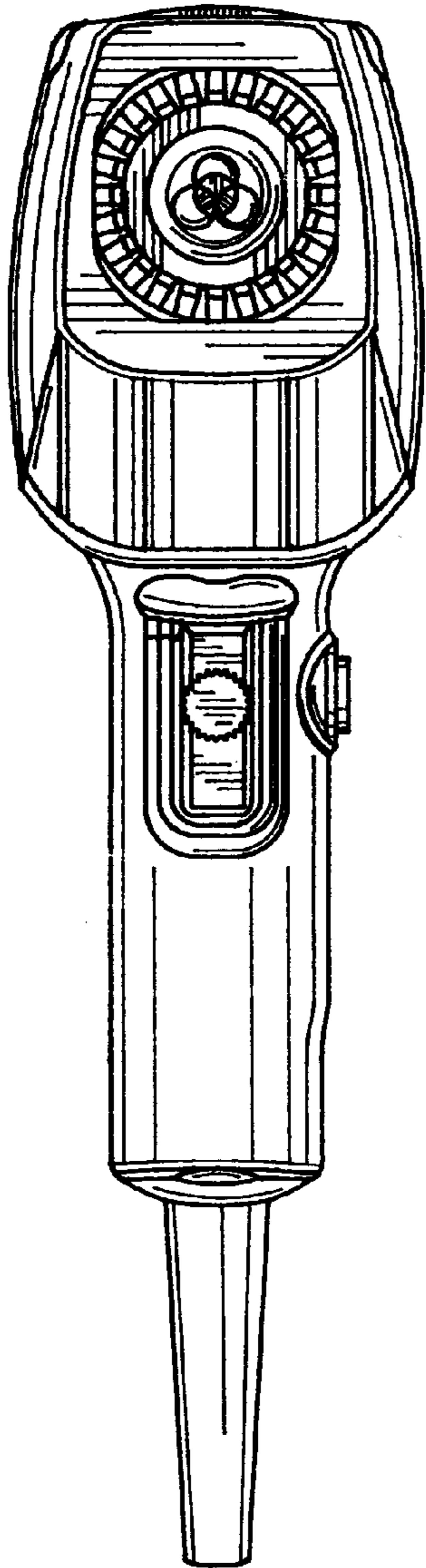


FIG. 7

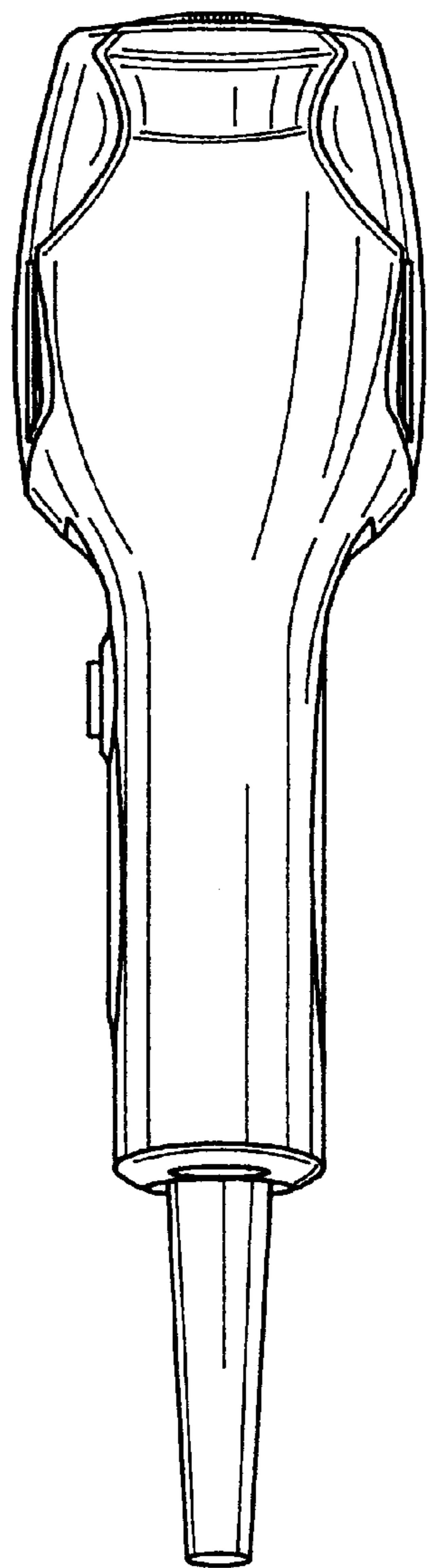


FIG. 8