



US00D441267S

(12) **United States Design Patent**  
**Heun**

(10) **Patent No.:** **US D441,267 S**

(45) **Date of Patent:** **\*\* May 1, 2001**

(54) **ROTARY DRIVING TOOL**

(75) Inventor: **Ping Hay Heun, Aberdeen (HK)**

(73) Assignee: **Choon Nang Electrical Appliance Mfy., Ltd., Aberdeen (HK)**

(\*\*) Term: **14 Years**

(21) Appl. No.: **29/128,785**

(22) Filed: **Aug. 31, 2000**

(30) **Foreign Application Priority Data**

Mar. 15, 2000 (GB) ..... 2091395

(51) **LOC (7) Cl.** ..... **08-01**

(52) **U.S. Cl.** ..... **D8/61**

(58) **Field of Search** ..... D8/61-70; 81/57.11,  
81/177.8, 54, 57.42, 474; 173/170, 217,  
169, 15, 2, 109, 47, 98; 451/358, 344; 30/388;  
408/241 S

(56) **References Cited**

**U.S. PATENT DOCUMENTS**

D. 308,622	*	6/1990	Fushiya et al.	.....	D8/61
D. 376,083	*	12/1996	Verdura et al.	.....	D8/61
D. 380,069	*	6/1997	McCracken	.....	D32/19
D. 380,658	*	7/1997	Bruno et al.	.....	D8/61
D. 391,820	*	3/1998	Bunyea	.....	D8/61
D. 410,829	*	6/1999	Heun	.....	D8/61
D. 412,273	*	7/1999	Chung	.....	D8/62
D. 418,729	*	1/2000	Snider	.....	D8/61

D. 423,897	*	5/2000	Cooper	.....	D8/61
4,522,270	*	6/1985	Kishi	.....	173/217
4,759,240	*	7/1988	Lin	.....	81/177.8
4,912,349	*	3/1990	Chang	.....	310/50
5,372,420	*	12/1994	Deursen et al.	.....	366/129
5,525,889	*	6/1996	Chan et al.	.....	173/217
6,102,134	*	8/2000	Alsrue	.....	173/217

\* cited by examiner

*Primary Examiner*—Jeffrey Asch

(74) *Attorney, Agent, or Firm*—Leydig, Voit & Mayer, Ltd.

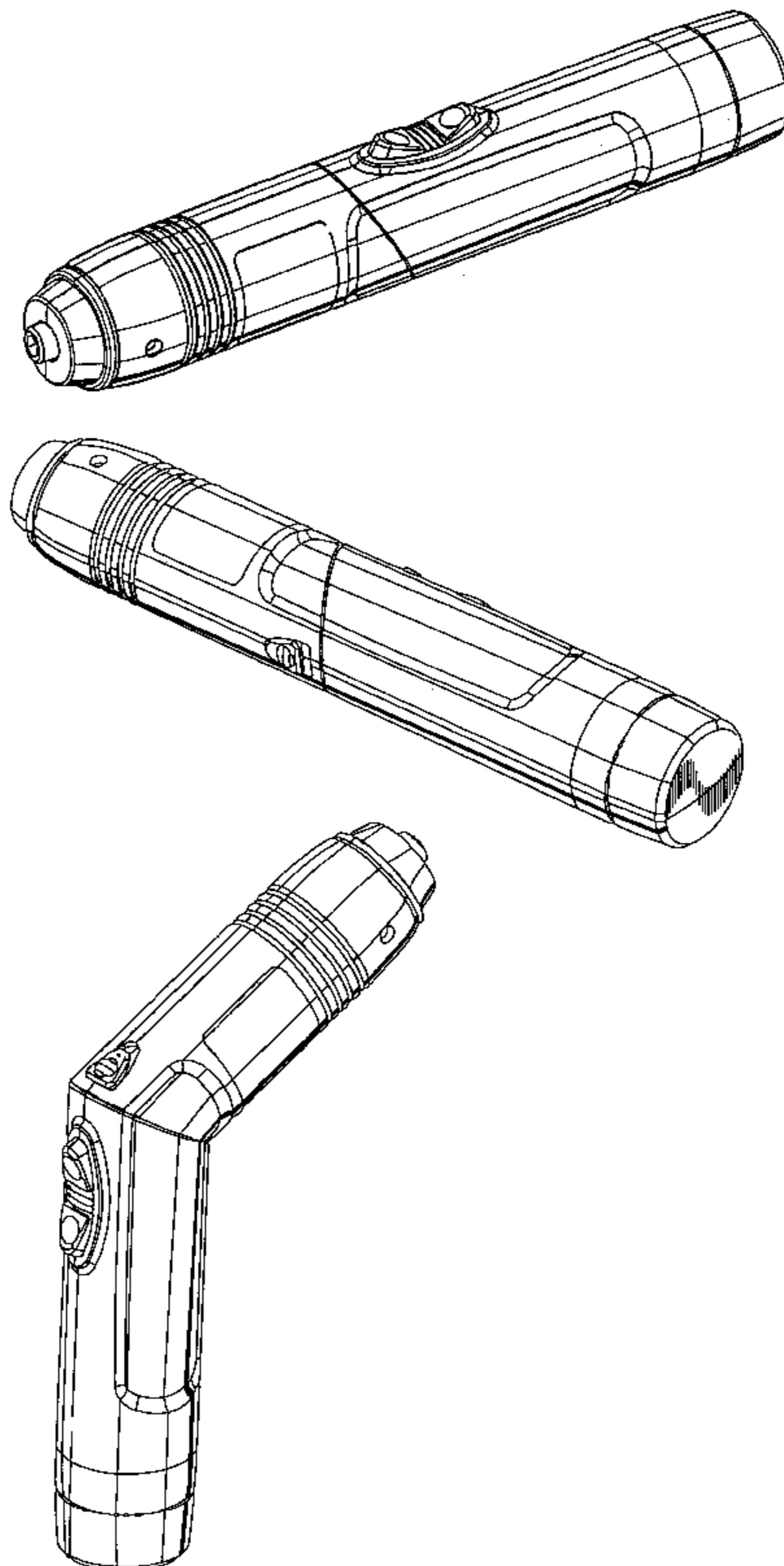
(57) **CLAIM**

The ornamental design for a rotary driving tool, as shown and described.

**DESCRIPTION**

FIG. 1 is a front end, left side and top perspective view of a rotary driving tool showing my new design;  
 FIG. 2 is a rear end, left side and bottom perspective view thereof;  
 FIG. 3 is a top plan view thereof;  
 FIG. 4 is a bottom plan view thereof;  
 FIG. 5 is a left side elevational view thereof;  
 FIG. 6 is a right side elevational view thereof;  
 FIG. 7 is a front end elevational view thereof;  
 FIG. 8 is a rear end elevational view thereof;  
 FIG. 9 is a first perspective view thereof in an alternative use condition; and,  
 FIG. 10 is a second perspective view thereof in the alternative use condition.

**1 Claim, 5 Drawing Sheets**



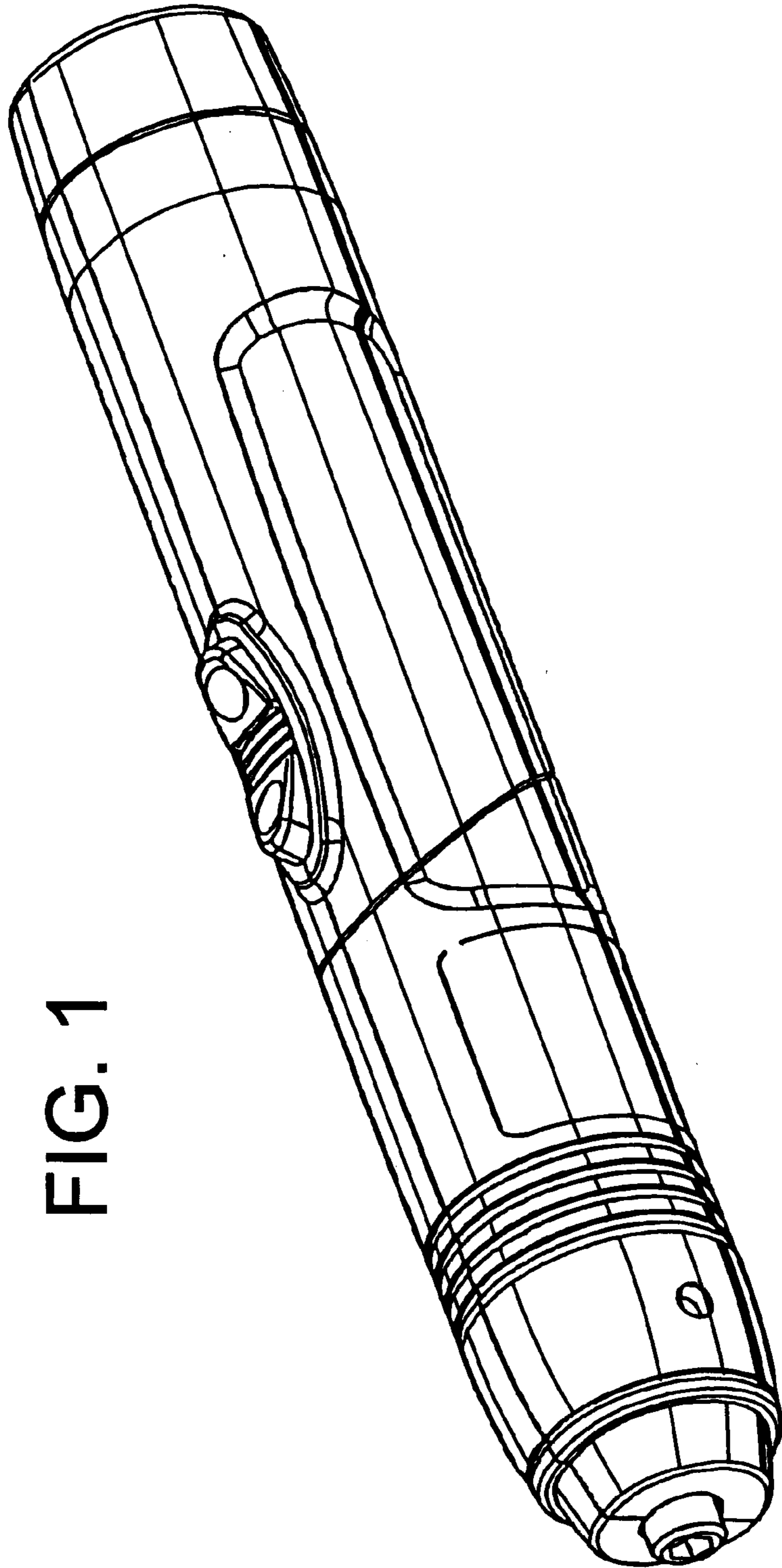


FIG. 1

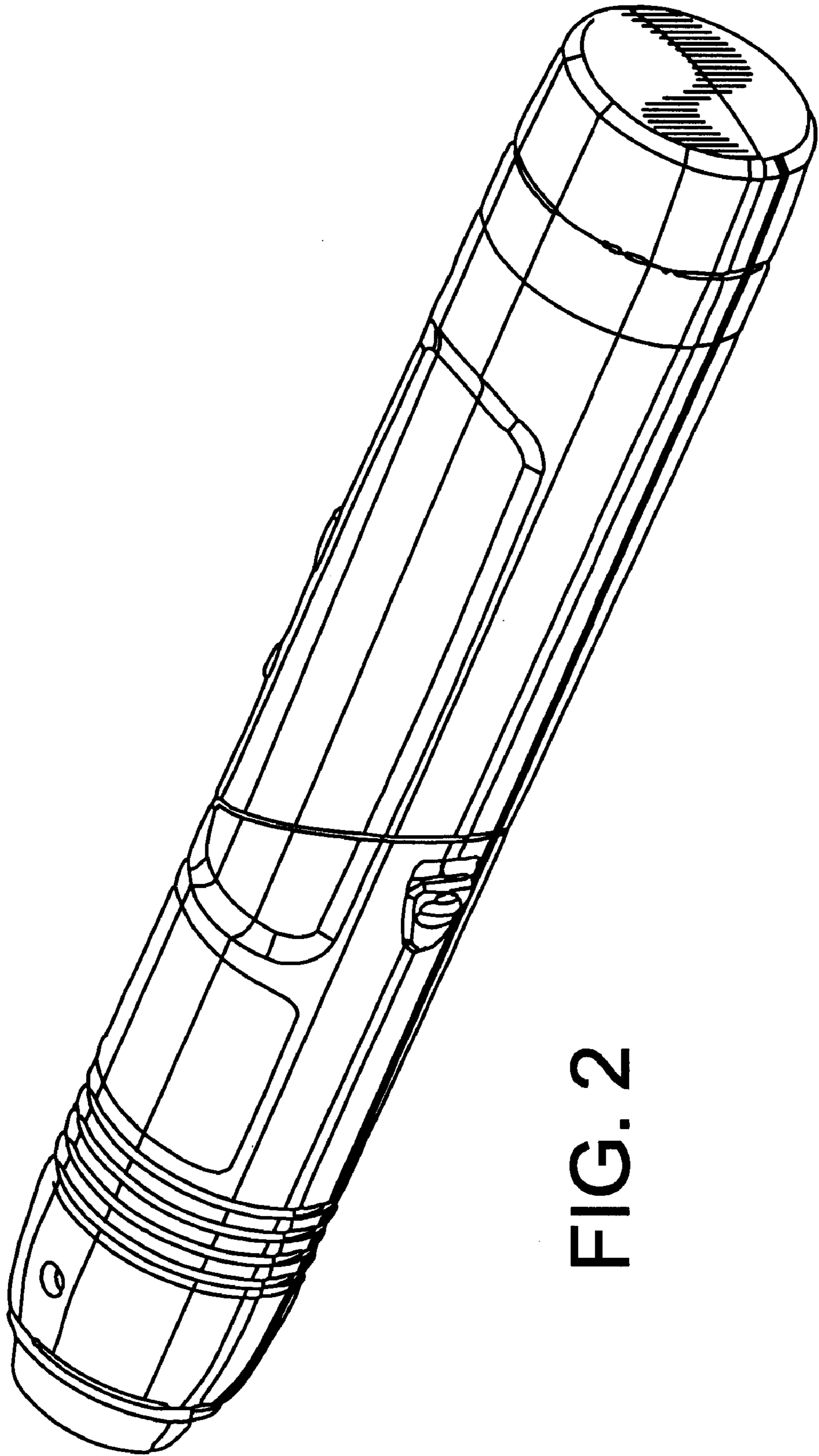


FIG. 2

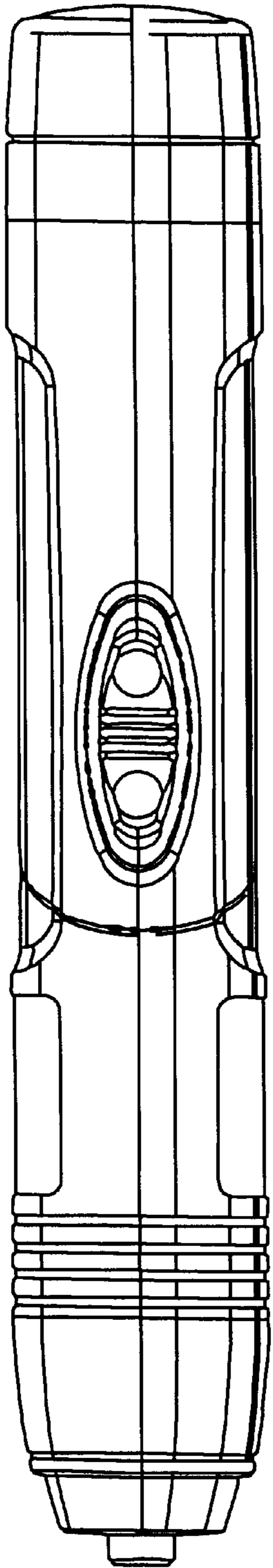


FIG. 3

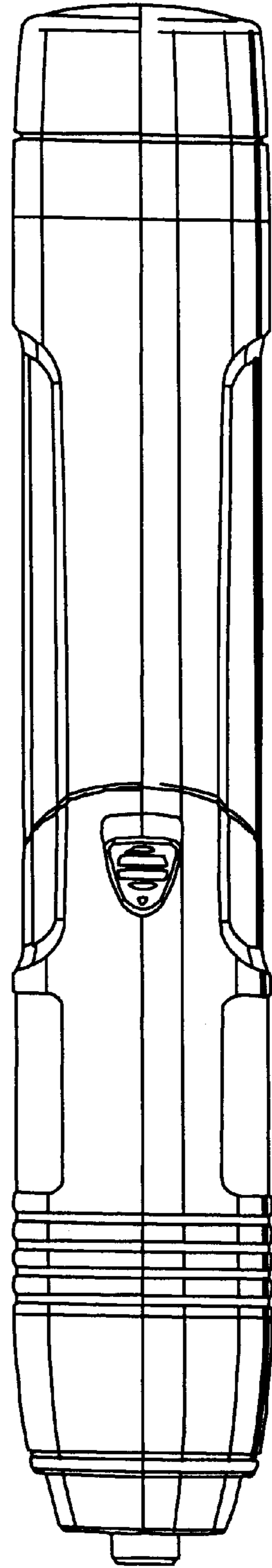


FIG. 4

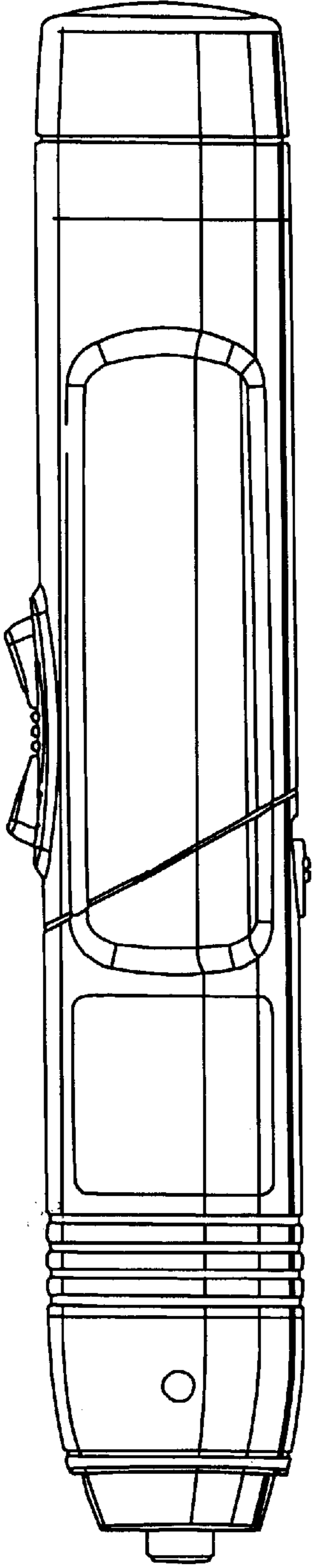


FIG. 5

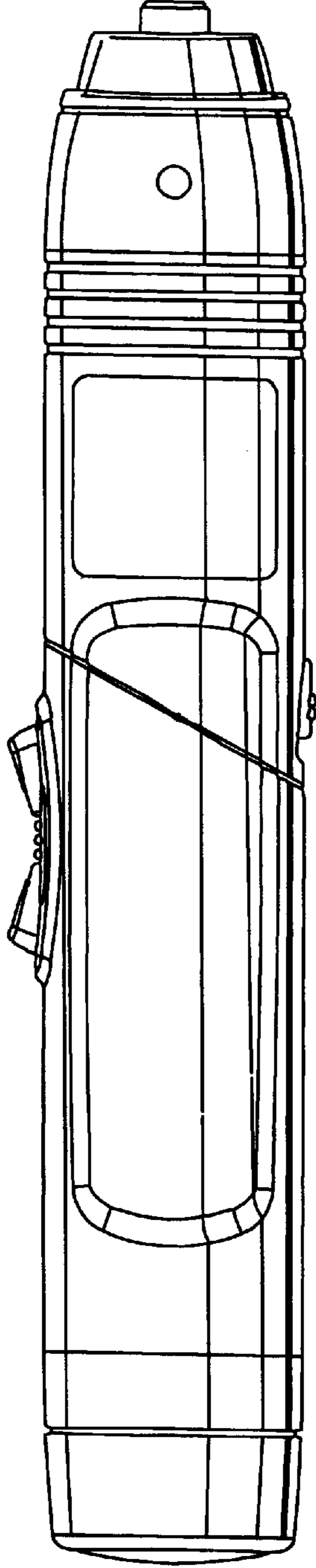


FIG. 6

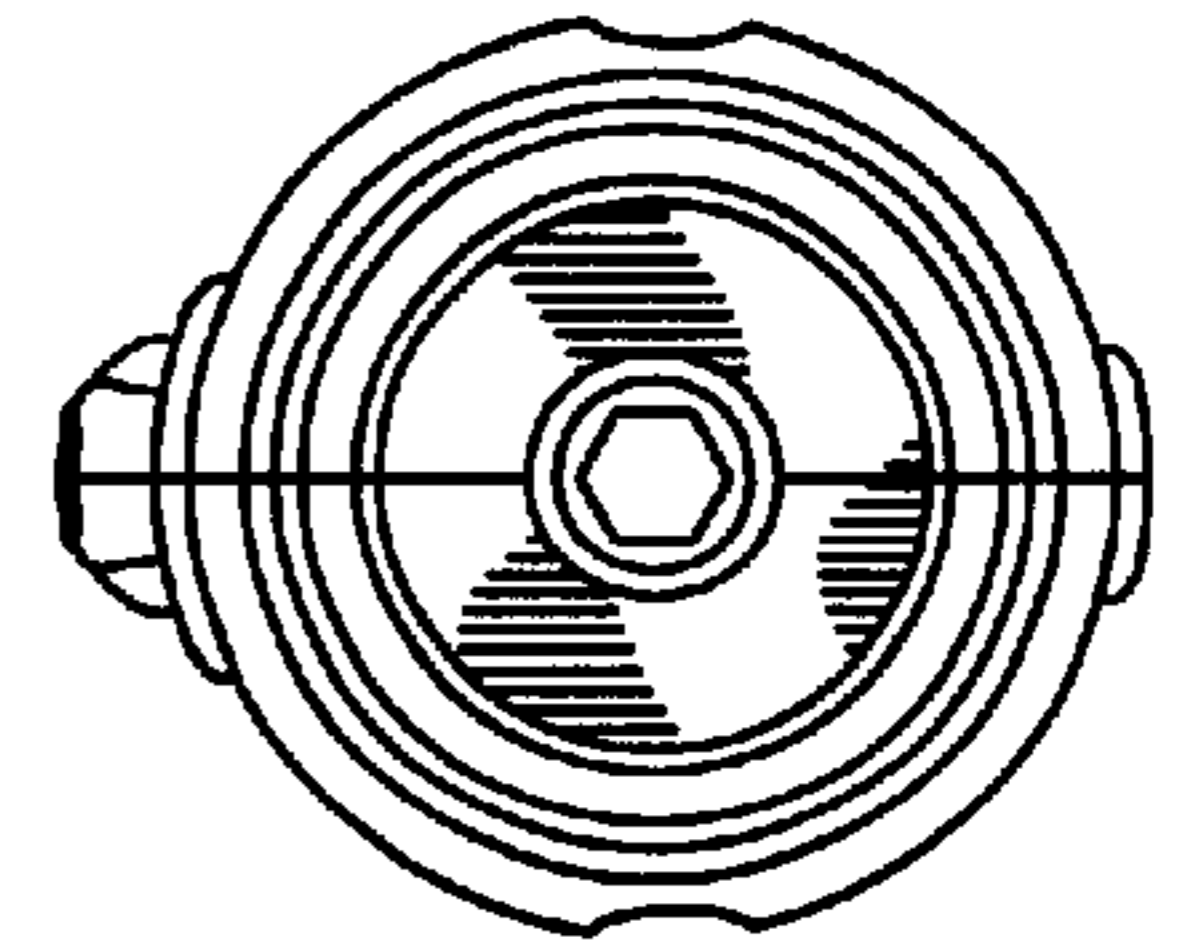


FIG. 7

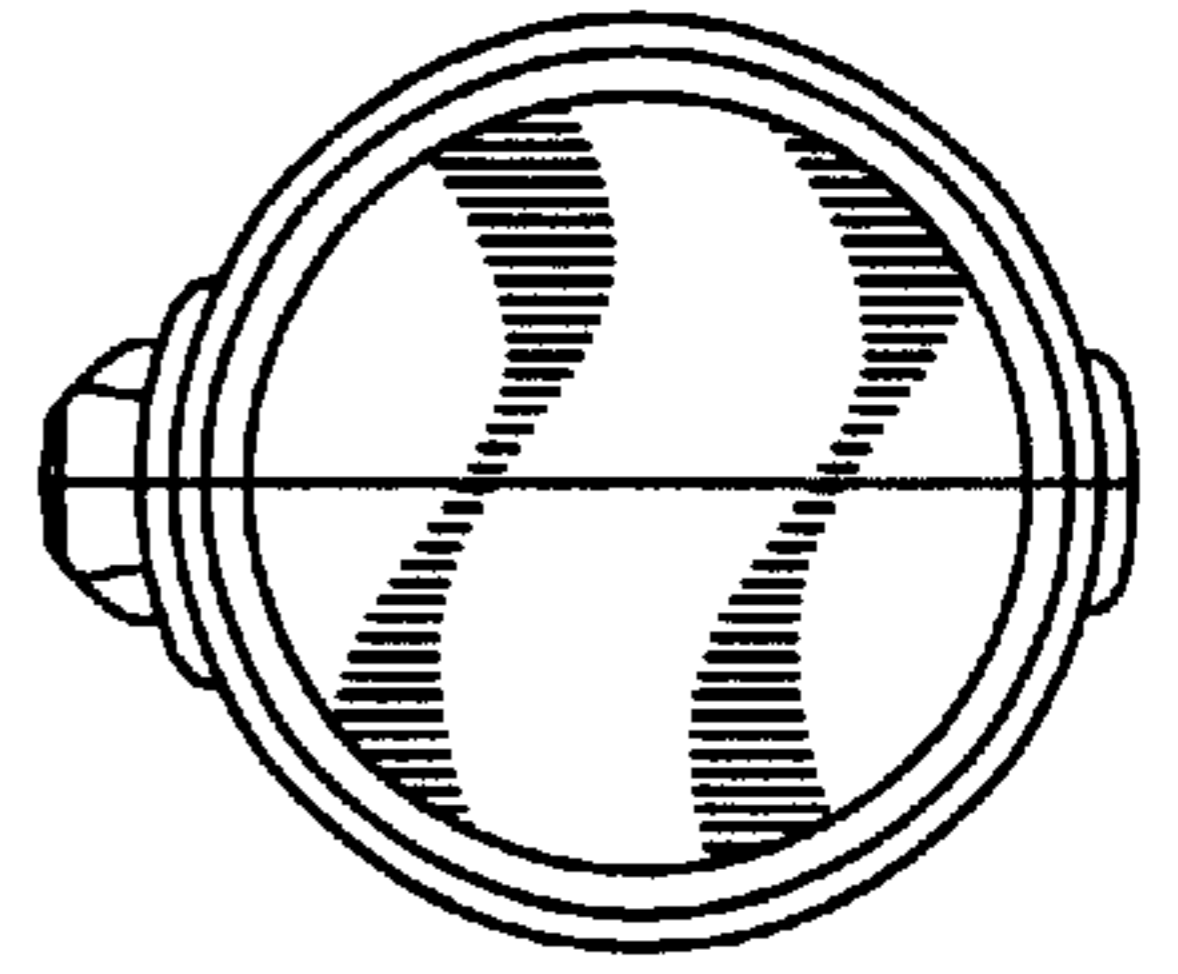


FIG. 8



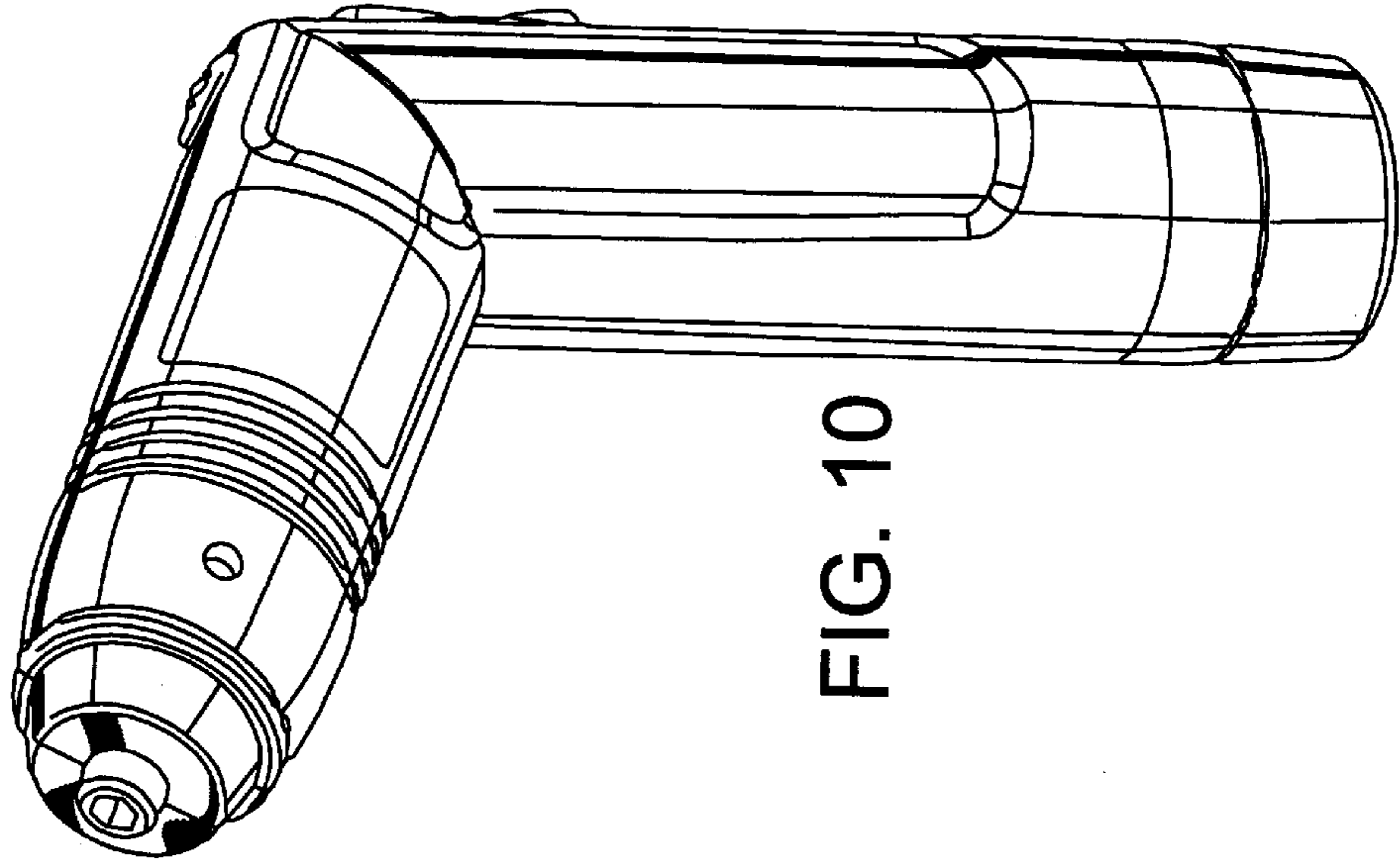


FIG. 10

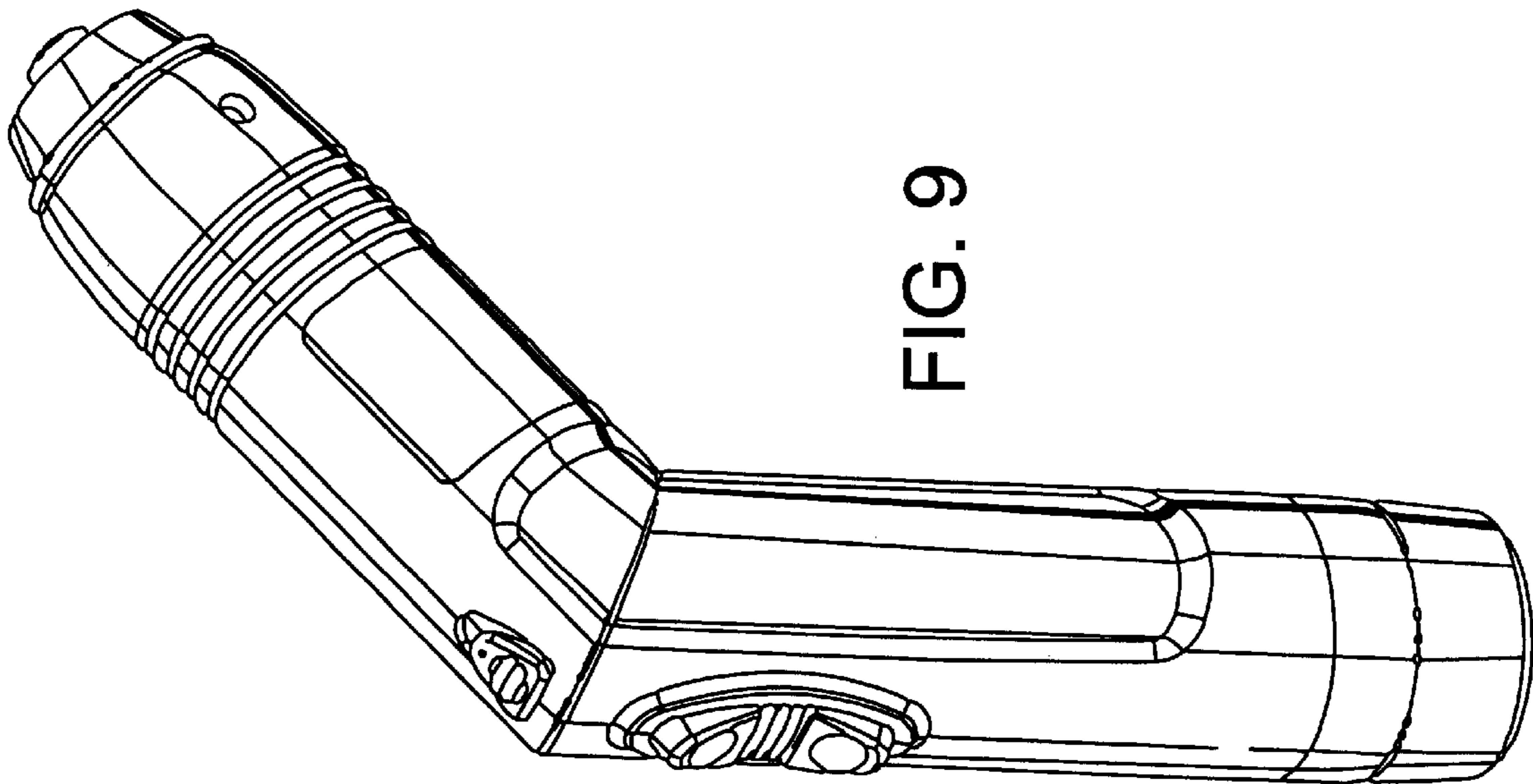


FIG. 9