



US00D441261S

(12) **United States Design Patent**
Stein

(10) **Patent No.:** **US D441,261 S**

(45) **Date of Patent:** **** May 1, 2001**

- (54) **DISPOSABLE CUTTING BOARD**
- (76) Inventor: **Albert Stein**, 35 10th Ave. South, Waite Park, MN (US) 56387
- (**) Term: **14 Years**
- (21) Appl. No.: **29/129,552**
- (22) Filed: **Sep. 18, 2000**
- (51) **LOC (7) Cl.** **07-04**
- (52) **U.S. Cl.** **D7/698**
- (58) **Field of Search** D7/698, 667; 269/13-15, 269/289 R, 302.1, 291, 297, 298

- 5,292,391 * 3/1994 Wallick .
- 5,344,520 * 9/1994 Seki et al. .
- 5,614,048 * 3/1997 Barny et al. .
- 5,685,929 * 11/1997 Bettinelli et al. .
- 5,788,803 * 8/1998 Sissons et al. .

* cited by examiner

Primary Examiner—Caron D. Veynar
(74) *Attorney, Agent, or Firm*—John D. Gugliotta

(57) **CLAIM**

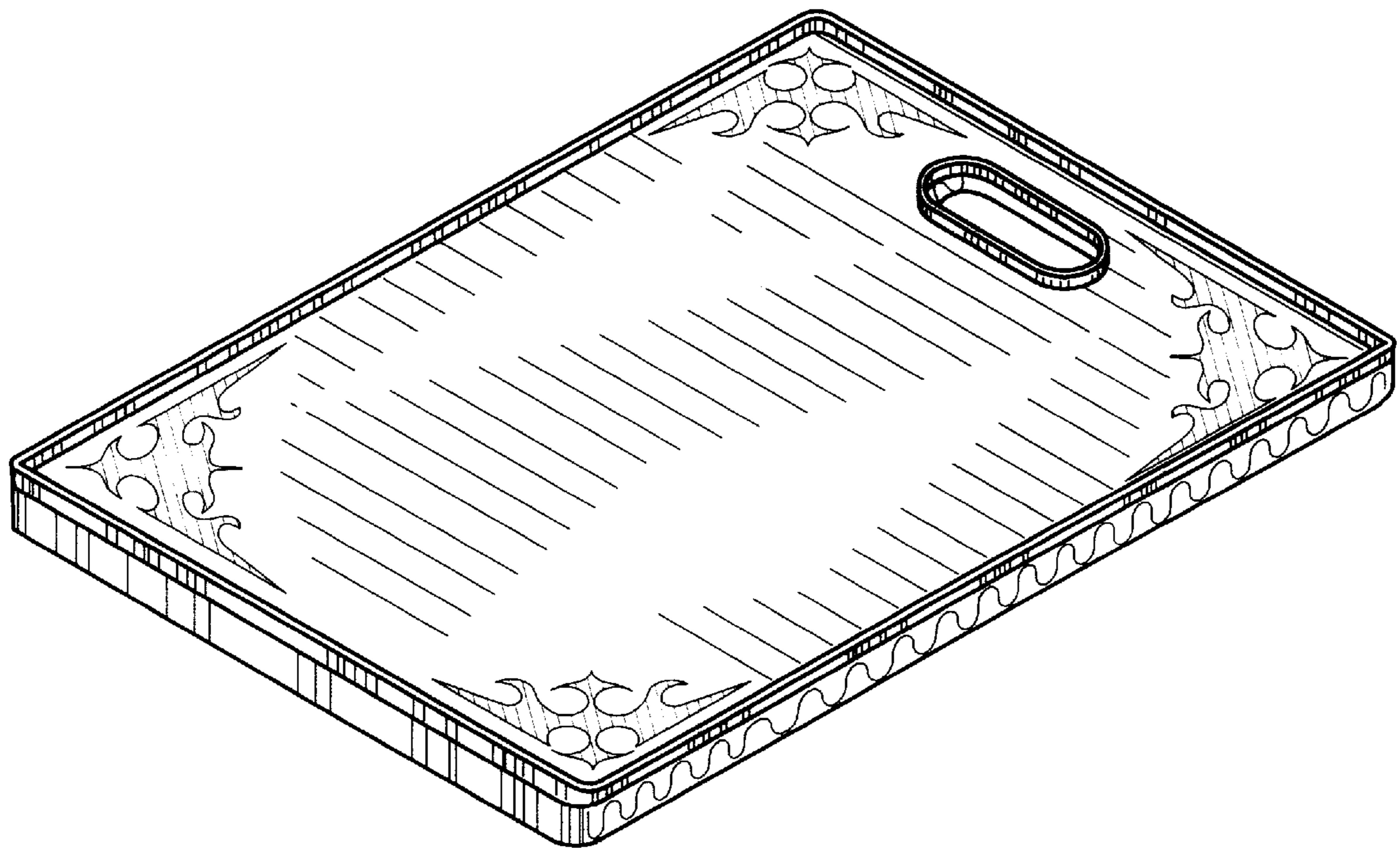
The ornamental design for a disposable cutting board, as shown and described.

DESCRIPTION

FIG. 1 is a perspective view of a disposable cutting board showing my new design;
FIG. 2 is a top plan view thereof, the opposite side being a mirror image;
FIG. 3 is a front elevational view thereof, the opposite side being a mirror image; and,
FIG. 4 is a side elevational view thereof, the opposite side being a mirror image.

- (56) **References Cited**
- U.S. PATENT DOCUMENTS**
- D. 264,419 * 5/1982 Dorman et al. D7/698
- D. 359,664 * 6/1995 Alley D7/698
- D. 367,399 * 2/1996 Brooks D7/698 X
- D. 414,077 * 9/1999 Ilaria et al. D7/588
- 1,199,508 * 9/1916 Swift, Jr. .
- 4,086,116 * 4/1978 Yazaki et al. .
- 4,948,448 * 8/1990 Tengqvist .
- 5,242,732 * 9/1993 Bahakel 428/81

1 Claim, 2 Drawing Sheets



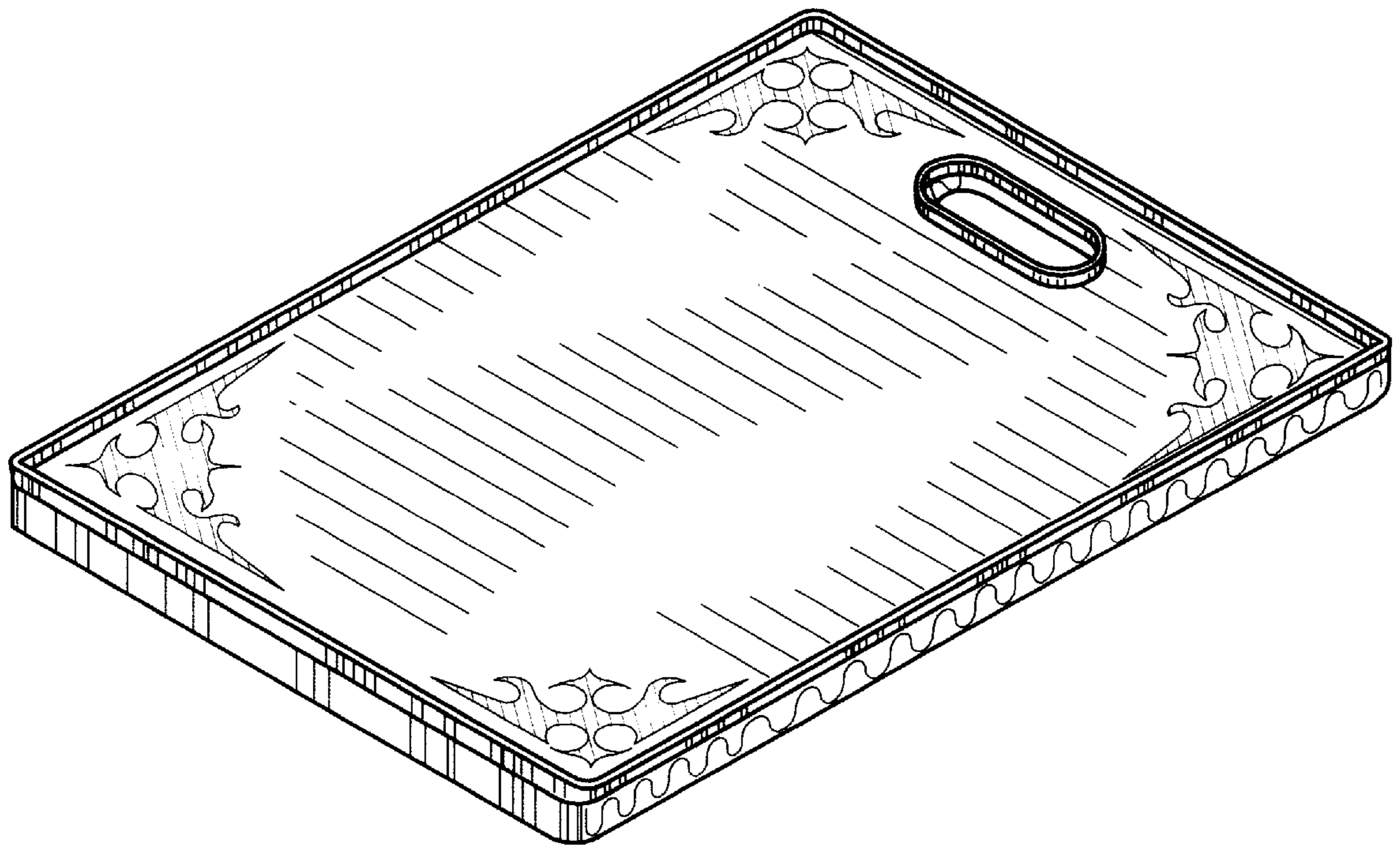


Figure 1

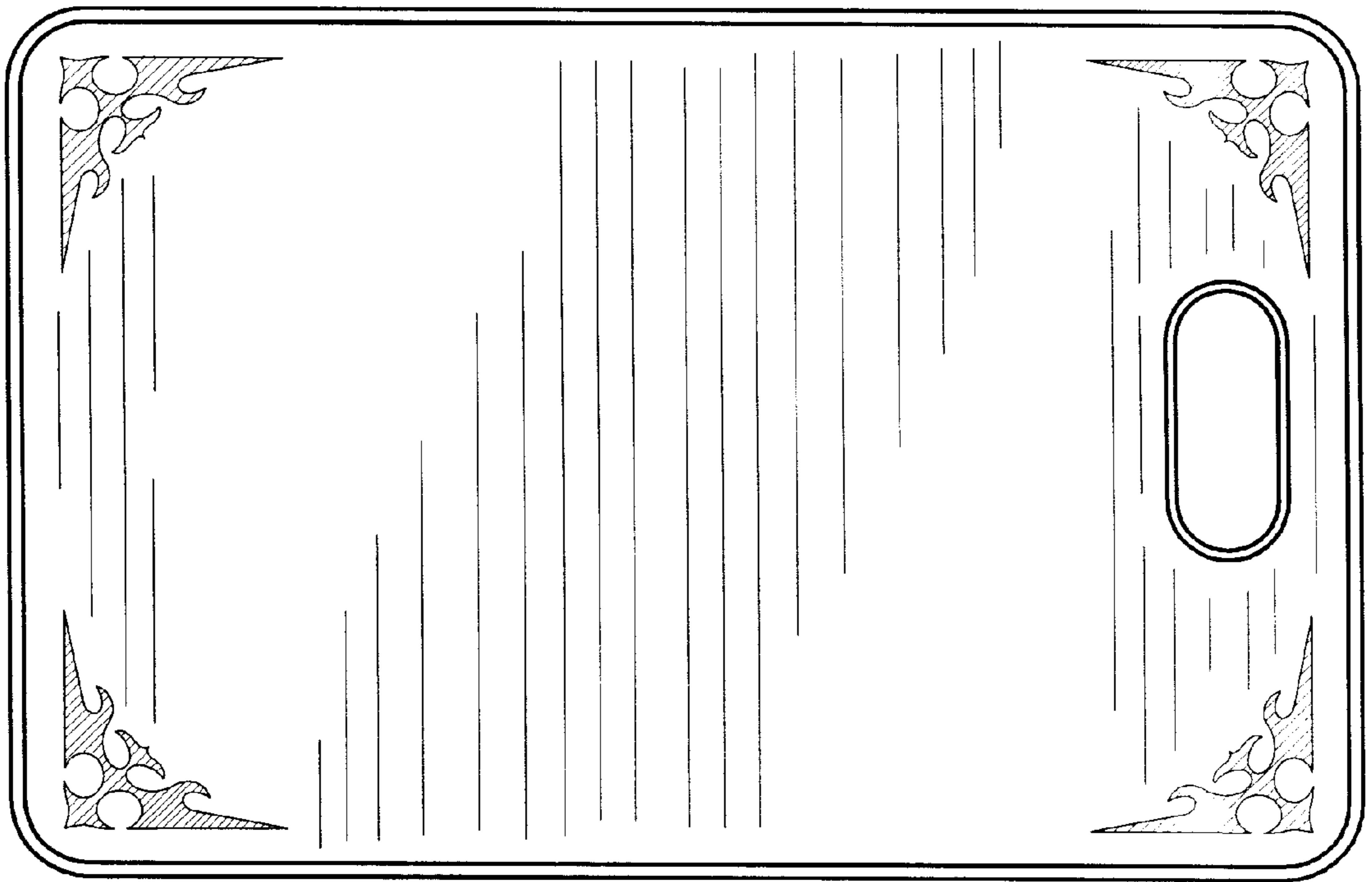


Figure 2

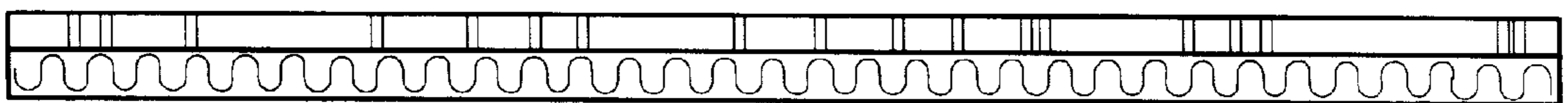


Figure 3

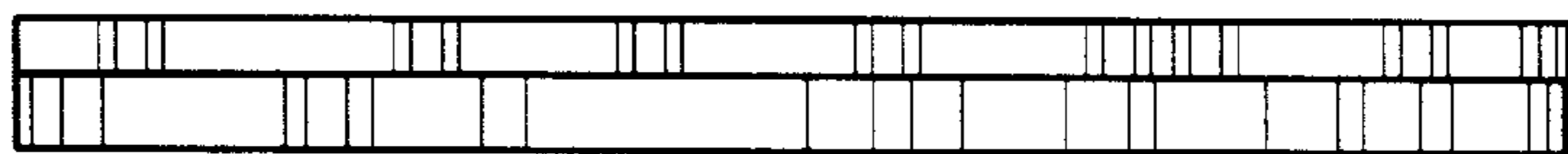


Figure 4