



US00D441260S

(12) **United States Design Patent**
Holcomb

(10) **Patent No.:** **US D441,260 S**

(45) **Date of Patent:** **** May 1, 2001**

(54) **SANDWICH DECRUSTER AND CUTTER**

(76) Inventor: **Willie D. Holcomb**, 4456 Window Dr.,
Memphis, TN (US) 38135

(**) Term: **14 Years**

(21) Appl. No.: **29/126,056**

(22) Filed: **Jul. 10, 2000**

(51) **LOC (7) Cl.** **07-04**

(52) **U.S. Cl.** **D7/673**

(58) **Field of Search** D7/673, 693; 30/114,
30/303; 83/467.1, 468.7, 762, 932

(56) **References Cited**

U.S. PATENT DOCUMENTS

1,581,310	*	4/1926	Fetschan	30/303
2,502,157	*	3/1950	Klejna	30/303
2,925,110	*	2/1960	Bayers	D7/673 X
3,319,682	*	5/1967	Hall	D7/673 X
4,195,402	*	4/1980	Leffer	30/114
4,341,376	*	7/1982	Germinario	D7/673 X
5,832,800		11/1998	Donoghue	83/467.1

* cited by examiner

Primary Examiner—Terry A. Wallace

(74) *Attorney, Agent, or Firm*—Walker, McKenzie &
Walker, P.C.

(57) **CLAIM**

The ornamental design for a sandwich decruster and cutter,
as shown and described.

DESCRIPTION

FIG. 1 is a perspective view of a sandwich decruster and
cutter, showing a first embodiment of the new design.

FIG. 2 is a front elevational view of the sandwich decruster
and cutter of FIG. 1; the rear elevation, right side elevation
and left side elevation being substantially identical thereto;
FIG. 3 is a top plan view of the sandwich decruster and
cutter of FIG. 1.

FIG. 4 is a bottom plan view of the sandwich decruster and
cutter of FIG. 1.

FIG. 5 is a perspective view of a sandwich decruster and
cutter showing a second embodiment of the new design;

FIG. 6 is a front elevation view of the sandwich decruster
and cutter of FIG. 5, the rear elevation, right side elevation
and left side elevation being substantially identical thereto;
FIG. 7 is a top plan view of the sandwich decruster and
cutter of FIG. 5; and,

FIG. 8 is a bottom plan view of the sandwich decruster and
cutter of FIG. 5.

The handle is shown in broken lines in several of the views
for illustrative purposes and forms no part of the claimed
design.

1 Claim, 2 Drawing Sheets

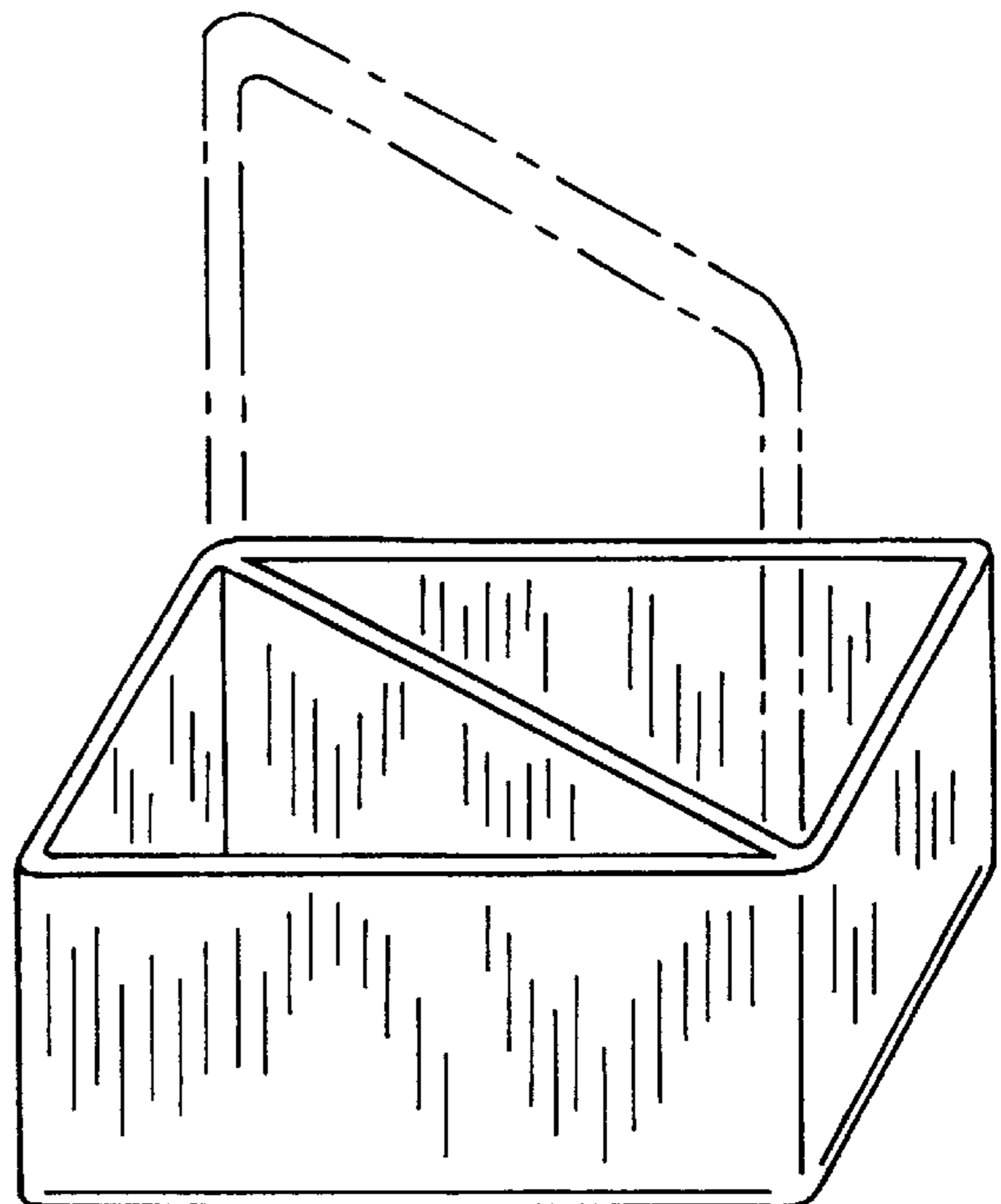
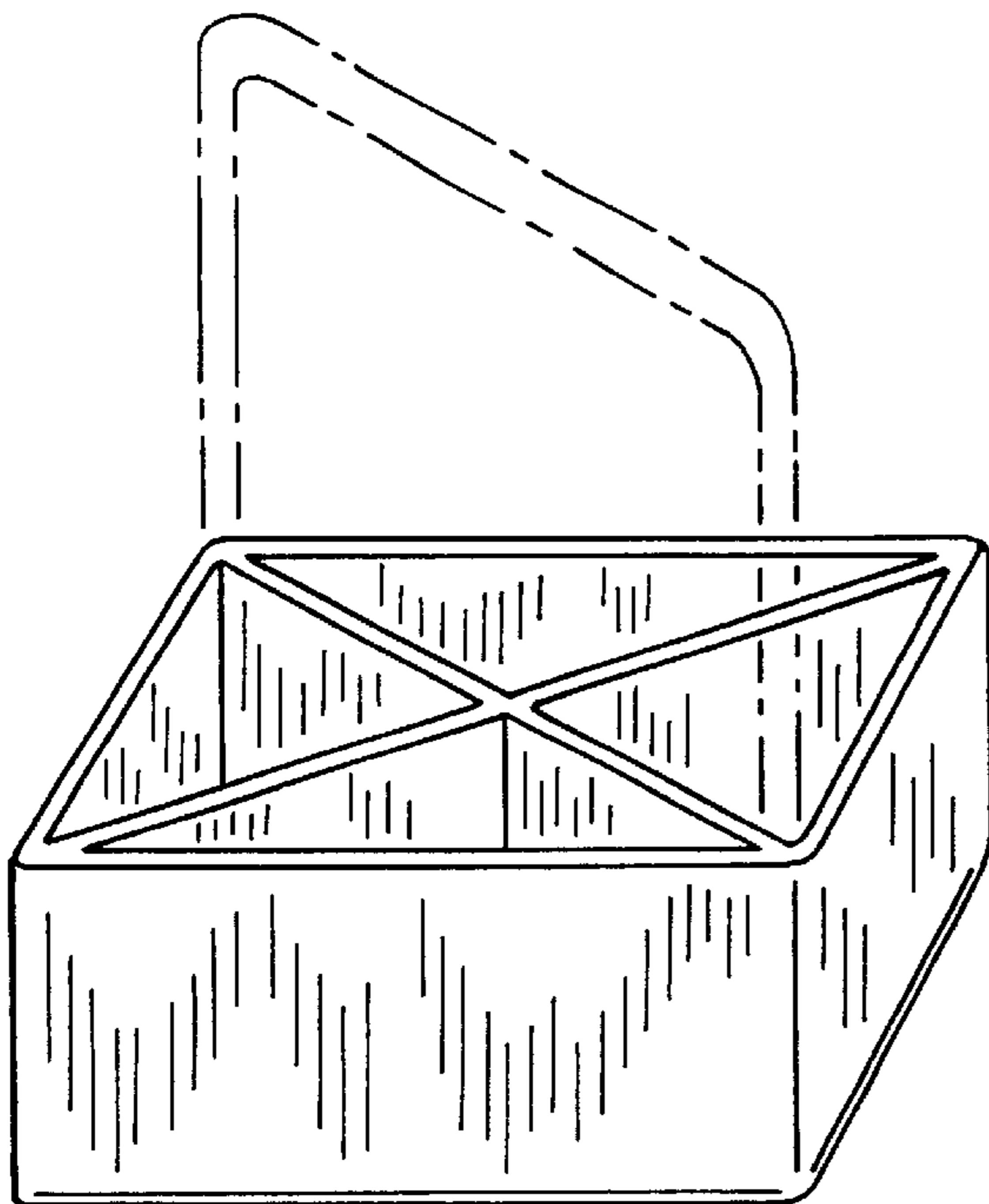


FIG. 1

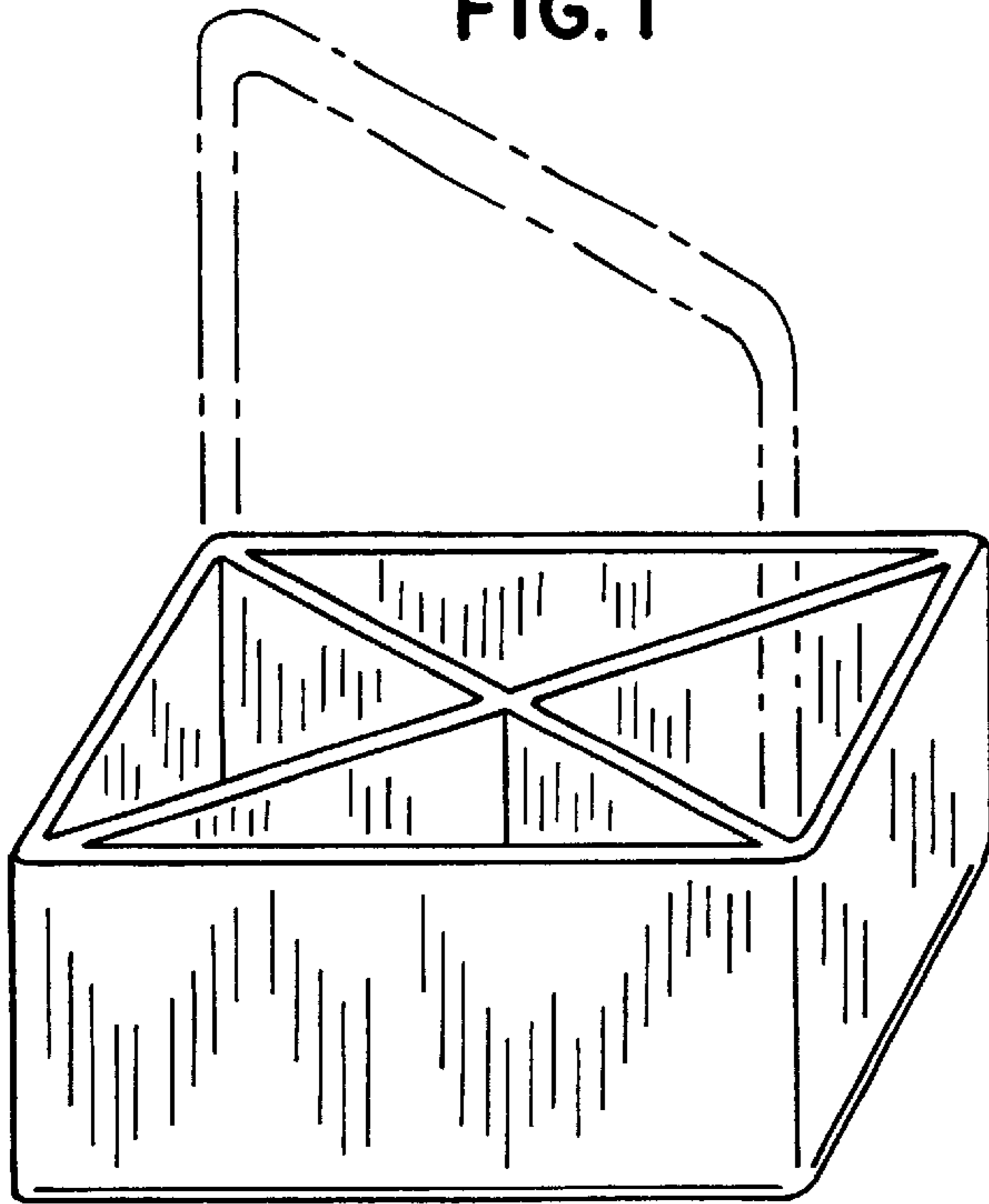


FIG. 2

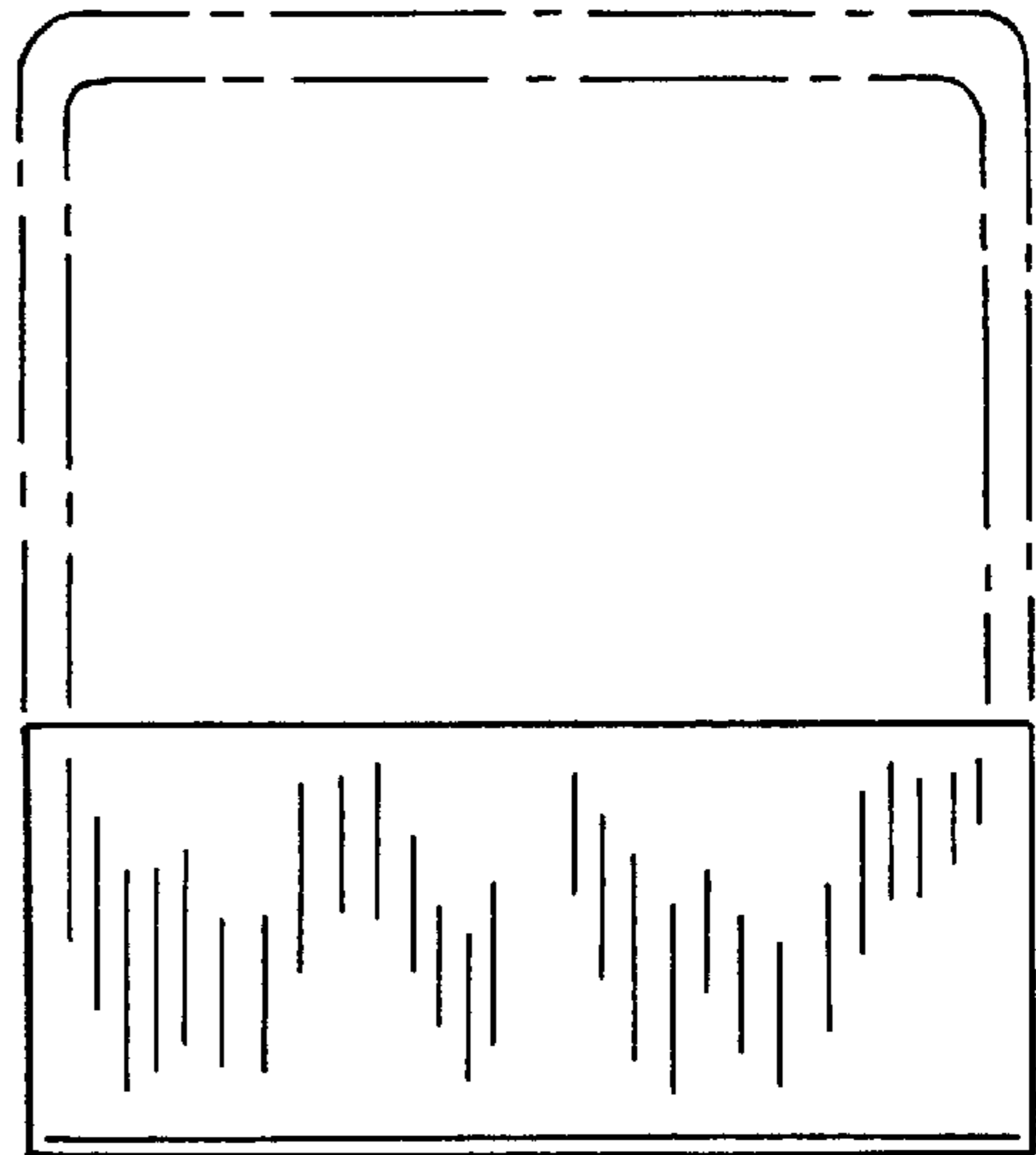


FIG. 3

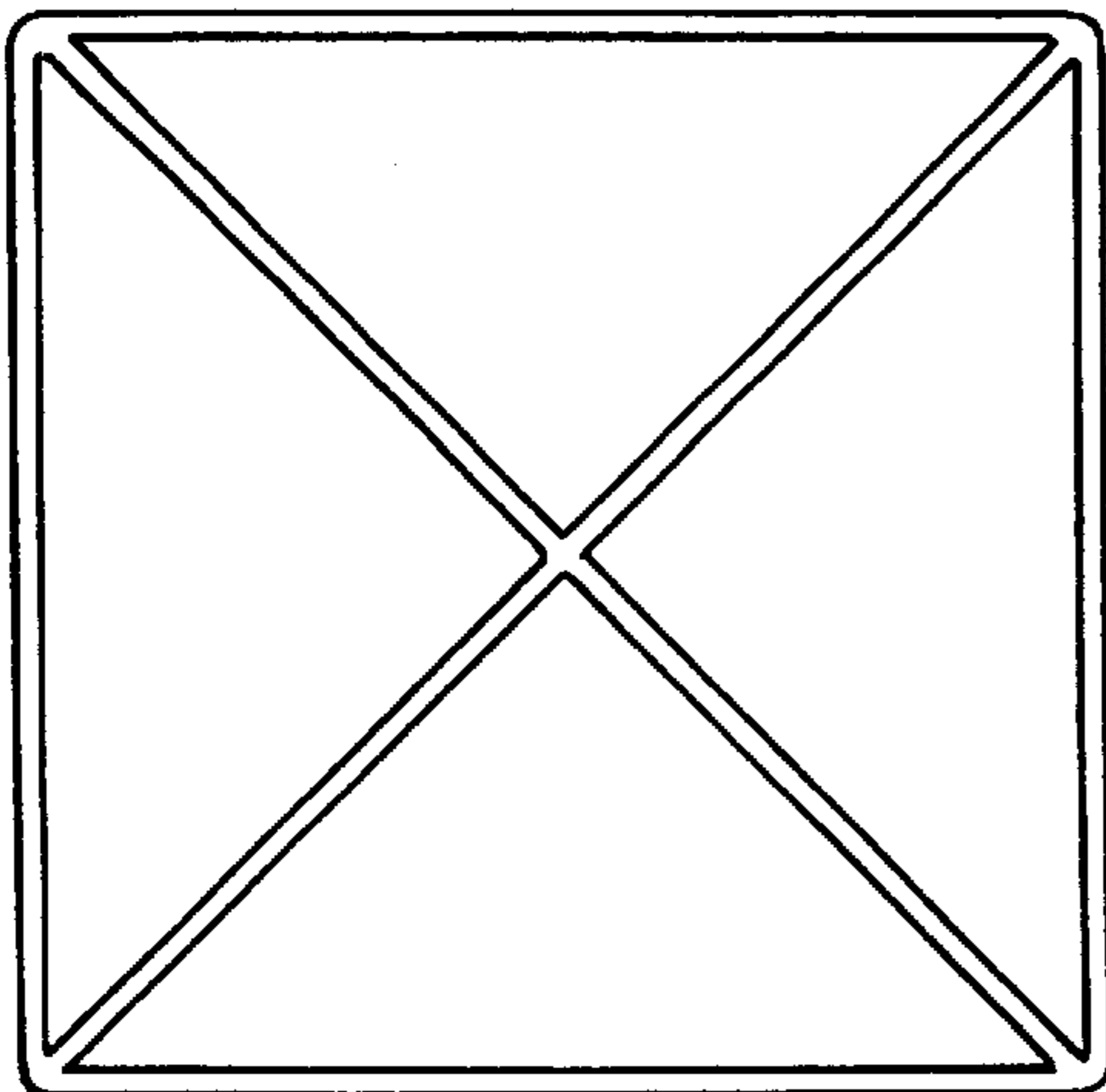


FIG. 4

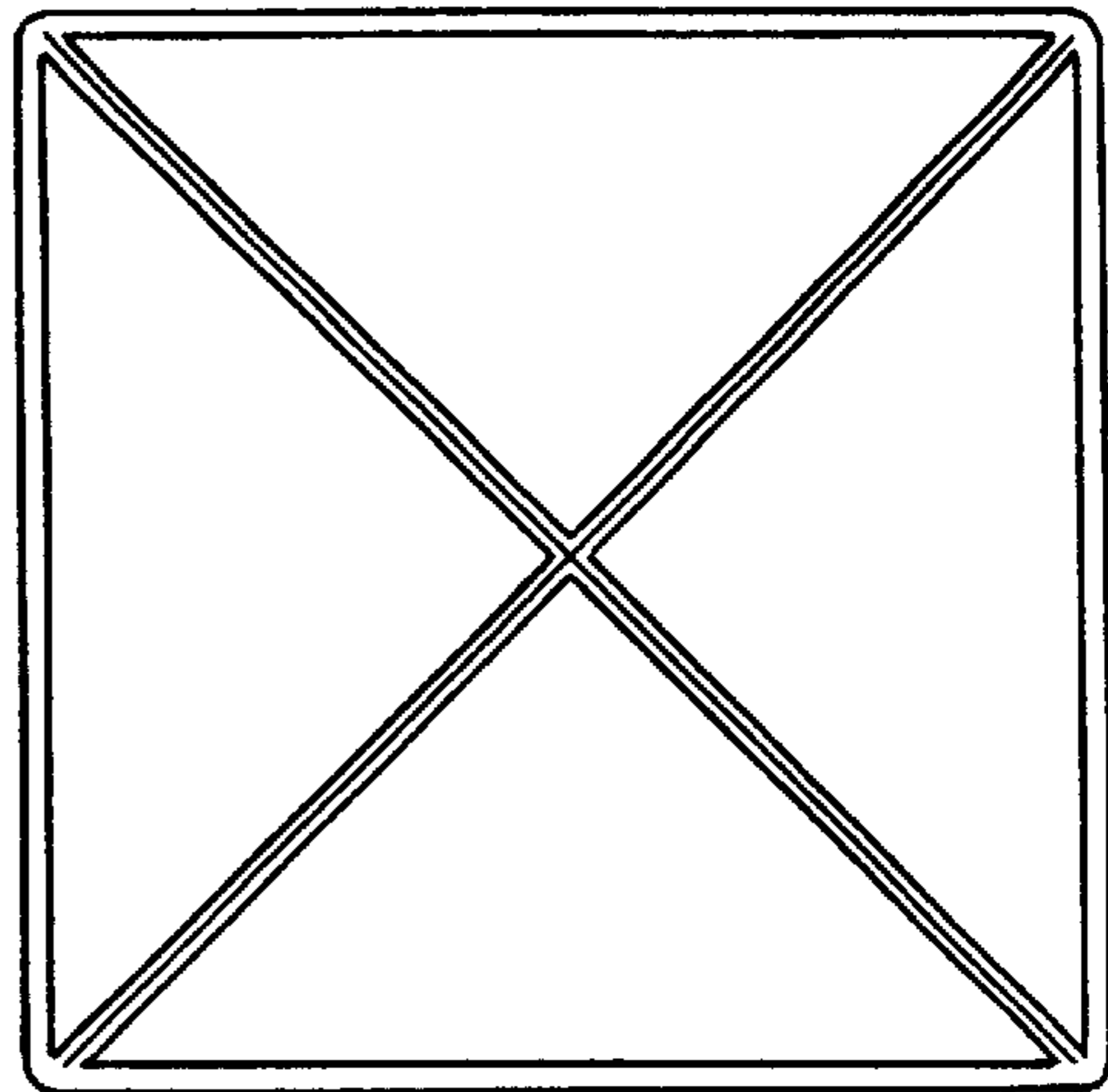


FIG. 5

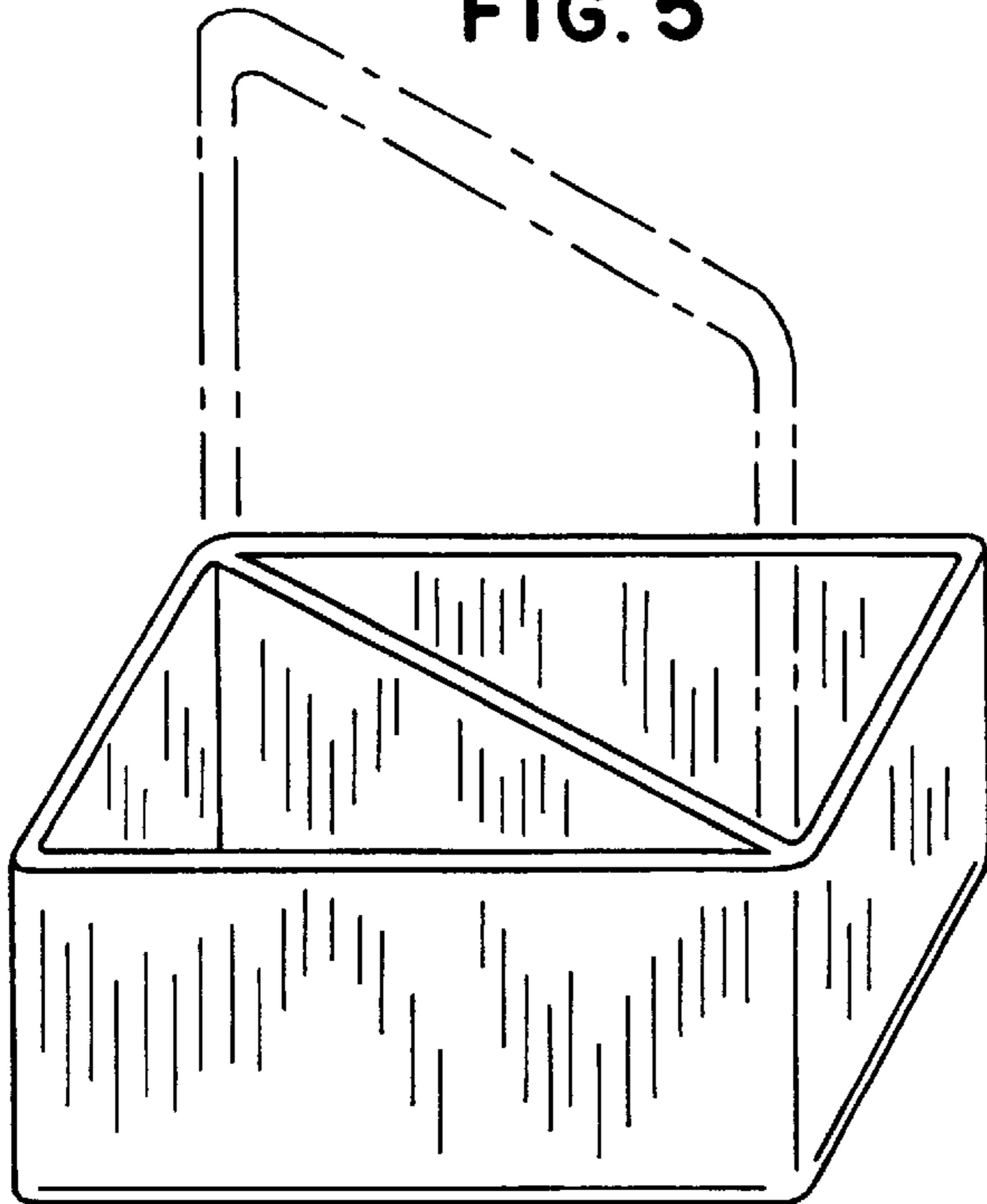


FIG. 6

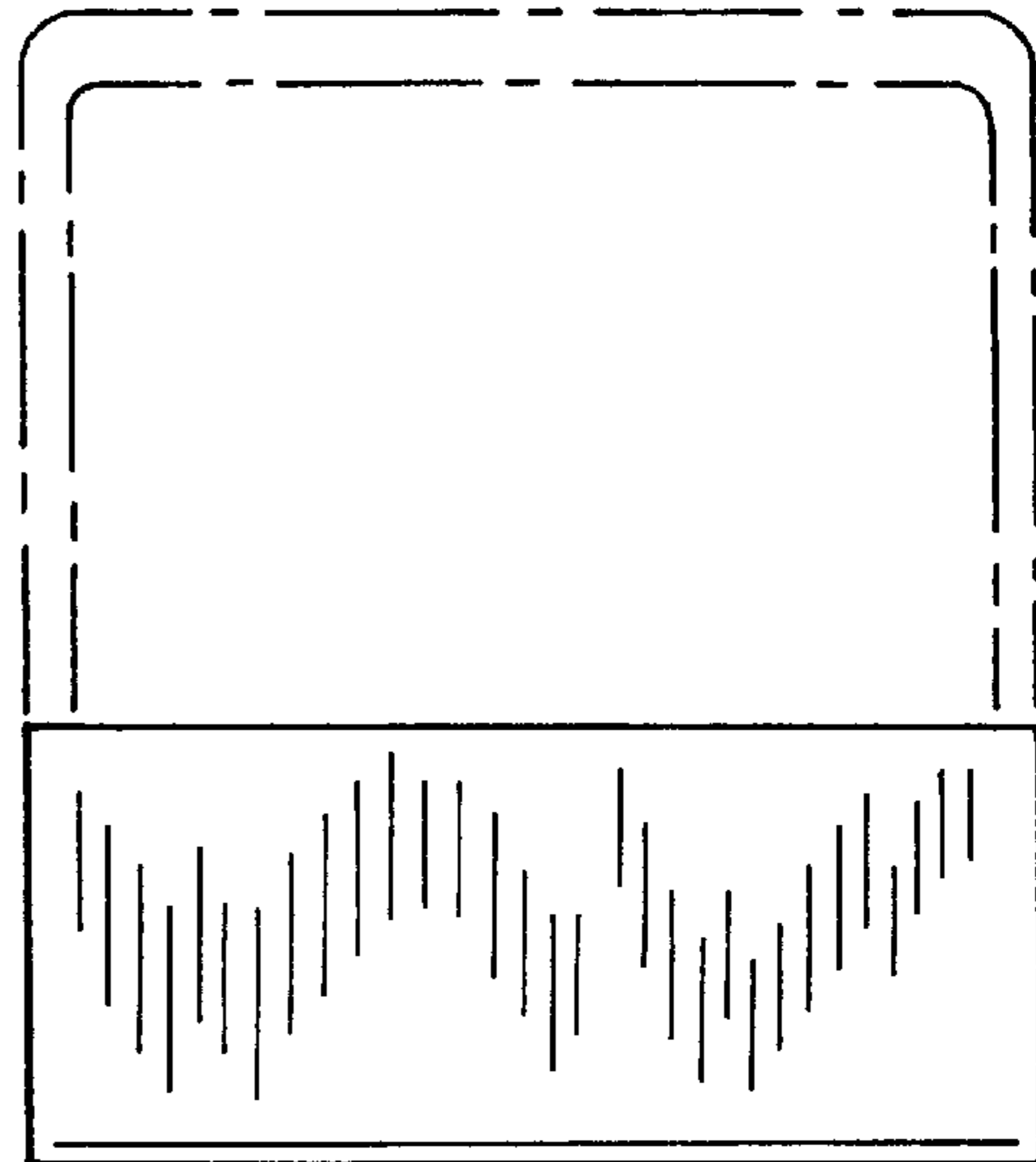


FIG. 7

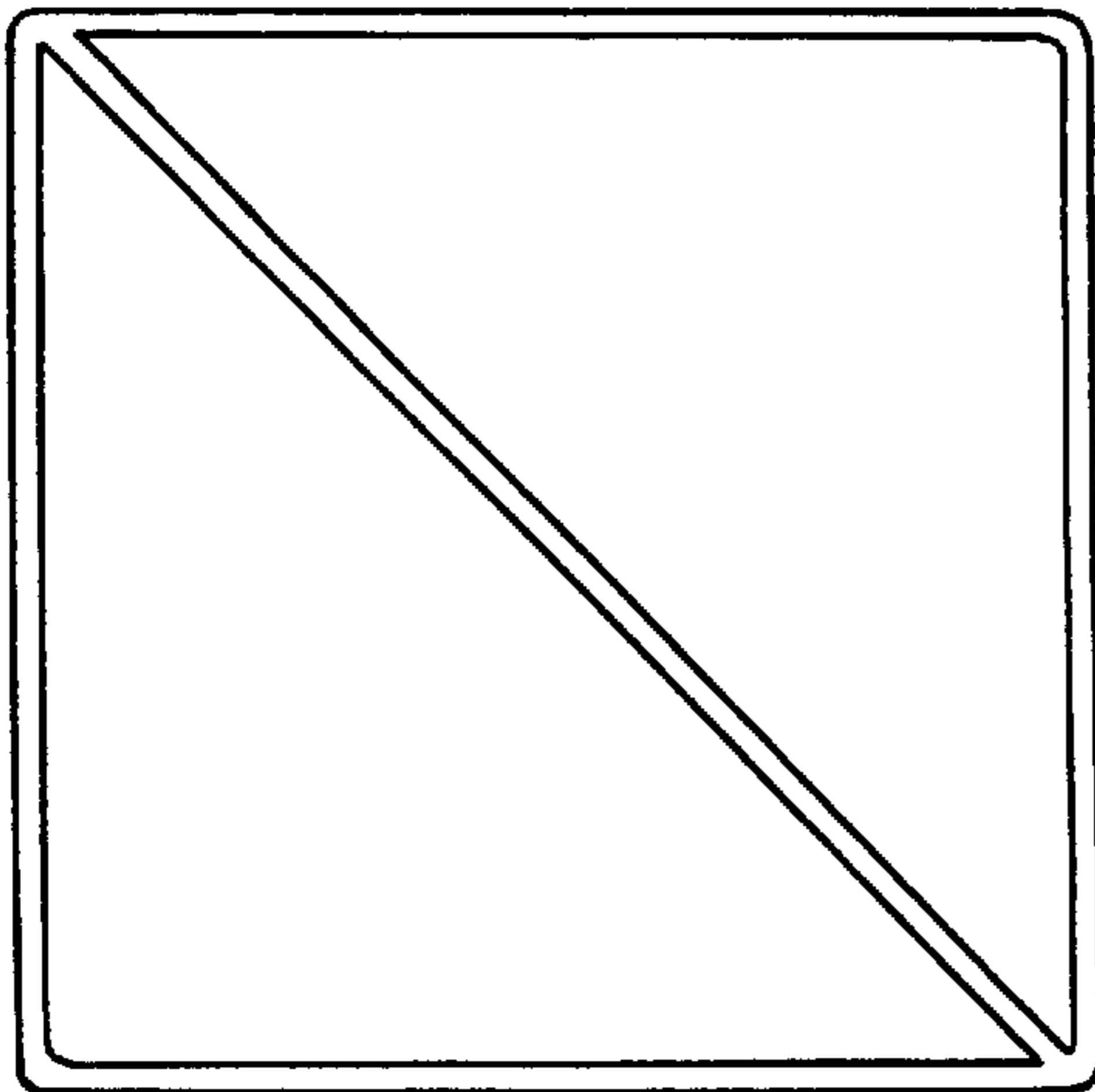


FIG. 8

