



US00D441255S

(12) **United States Design Patent**
Steinfels

(10) **Patent No.:** **US D441,255 S**

(45) **Date of Patent:** **** May 1, 2001**

(54) **HOCKEY MASK MUG**

(75) **Inventor:** **Craig R. Steinfels**, Worthington, OH (US)

(73) **Assignee:** **Sportec Products Company**, Dublin, OH (US)

(**) **Term:** **14 Years**

(21) **Appl. No.:** **29/114,399**

(22) **Filed:** **Nov. 23, 1999**

(51) **LOC (7) Cl.** **07-01**

(52) **U.S. Cl.** **D7/515; D7/536; D7/901**

(58) **Field of Search** **D7/507, 509, 523, D7/514, 515, 901, 539, 533, 623; 220/703, 708, 675; 206/459.5, 779, 446**

(56) **References Cited**

U.S. PATENT DOCUMENTS

D. 243,578	*	3/1977	Danat	D7/515
D. 250,444	*	12/1978	Danat et al.	D7/515
D. 337,242	*	7/1993	Steinfels, III	D7/623
D. 344,659	*	3/1994	Hsu	D7/613
D. 363,855	*	11/1995	Blankenburg	D7/515
D. 364,997	*	12/1995	Steinfels, III	D7/536

D. 369,529	*	5/1996	Blankenburg et al.	D7/625
D. 370,836	*	6/1996	Blankenburg	D7/625
D. 399,393		10/1998	Steinfels	7/515
D. 405,318	*	2/1999	Steinfels	D7/515
5,348,145	*	9/1994	Steinfels, III	206/446
5,485,913	*	1/1996	Steinfels, III	206/779
5,511,685	*	4/1996	Nelson	220/662

* cited by examiner

Primary Examiner—M. N. Pandozzi

(74) *Attorney, Agent, or Firm*—James R. Eley; Arter & Hadden

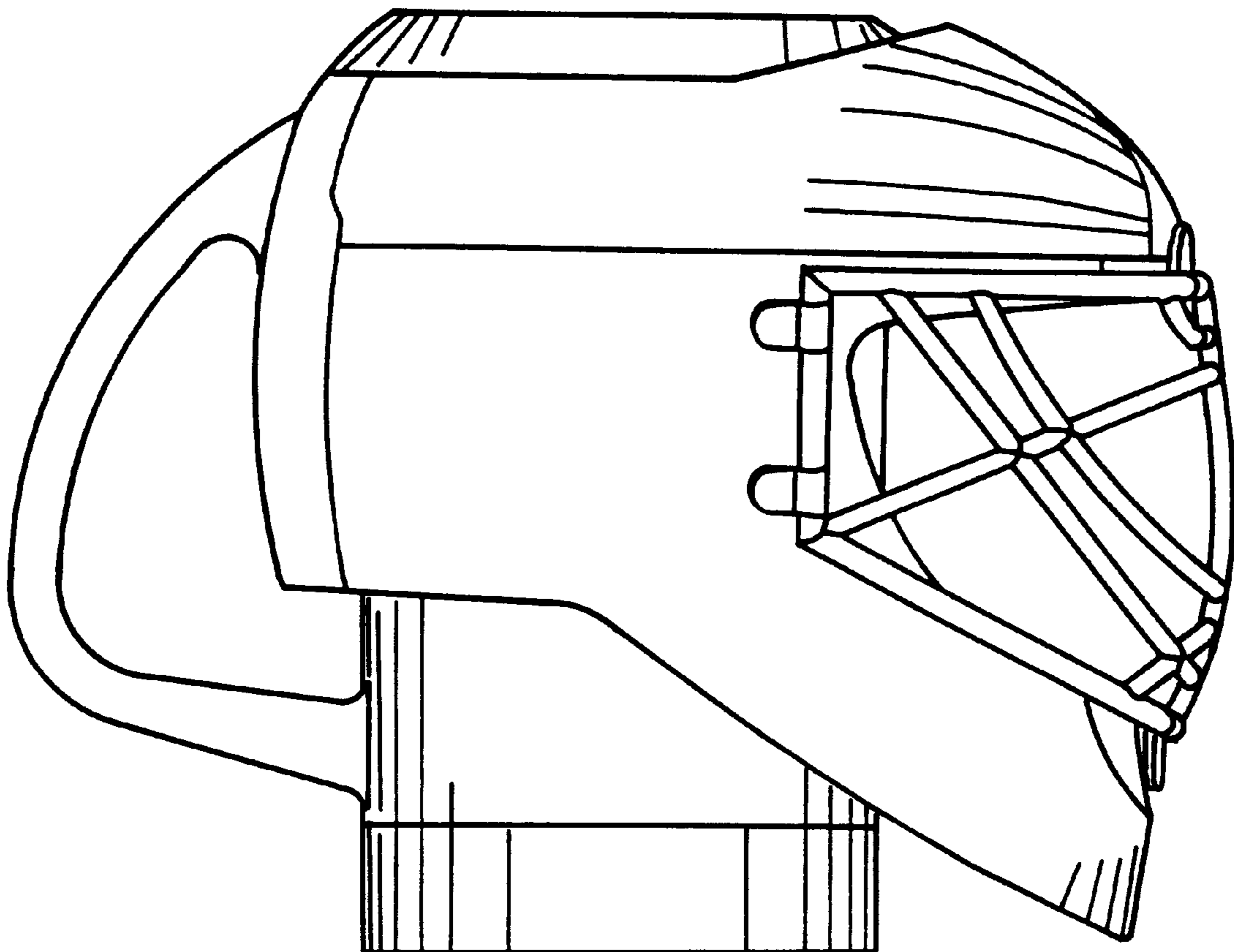
(57) **CLAIM**

The ornamental design for a hockey mask mug, as shown and described.

DESCRIPTION

FIG. 1 is a perspective view of my new design for hockey mask mug;
 FIG. 2 is a right side elevational view thereof;
 FIG. 3 is a left side elevational view thereof;
 FIG. 4 is a front view thereof;
 FIG. 5 is a rear elevational view thereof;
 FIG. 6 is a top plan view thereof; and,
 FIG. 7 is a bottom plan view thereof.

1 Claim, 4 Drawing Sheets



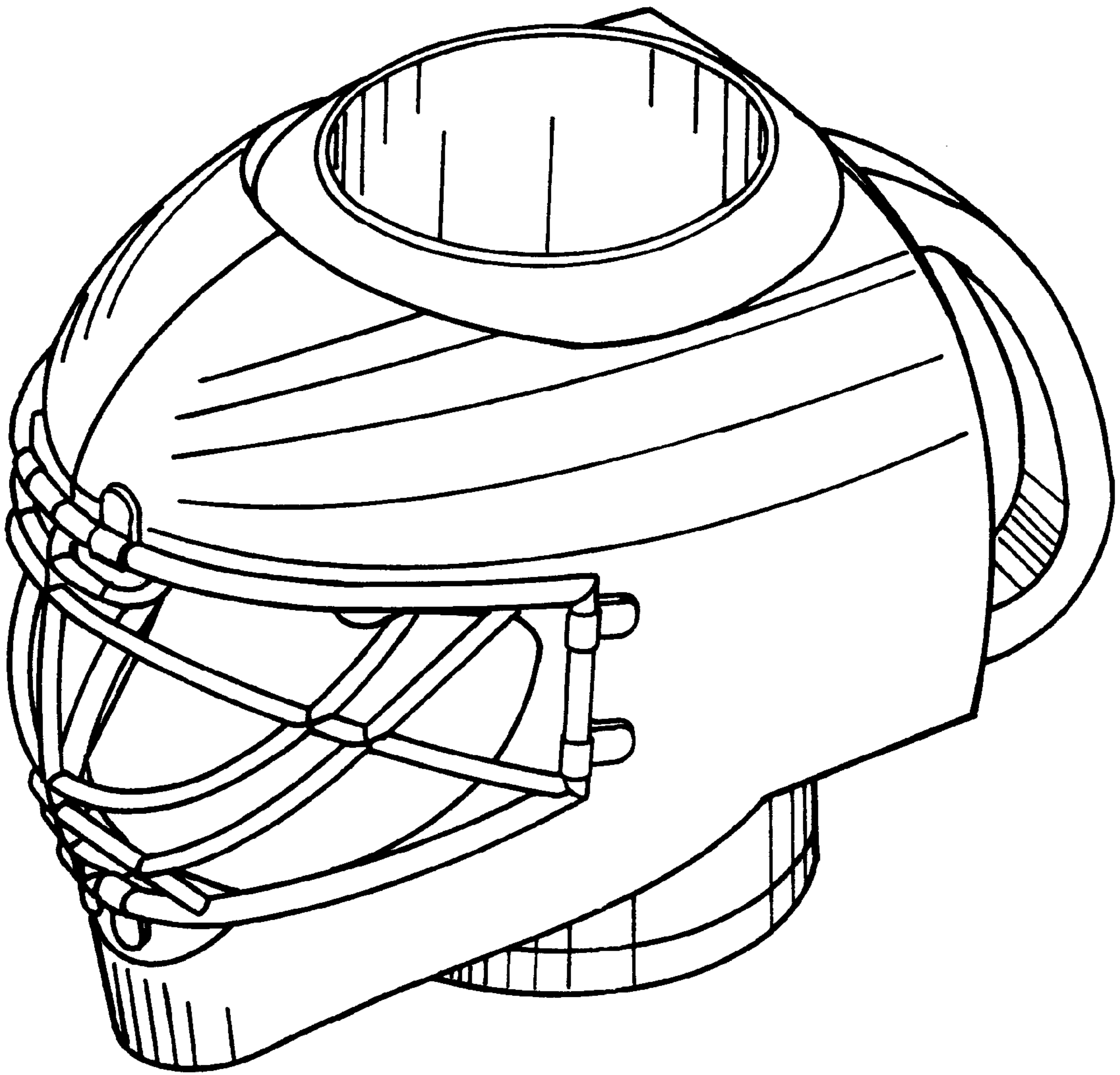


FIG. 1

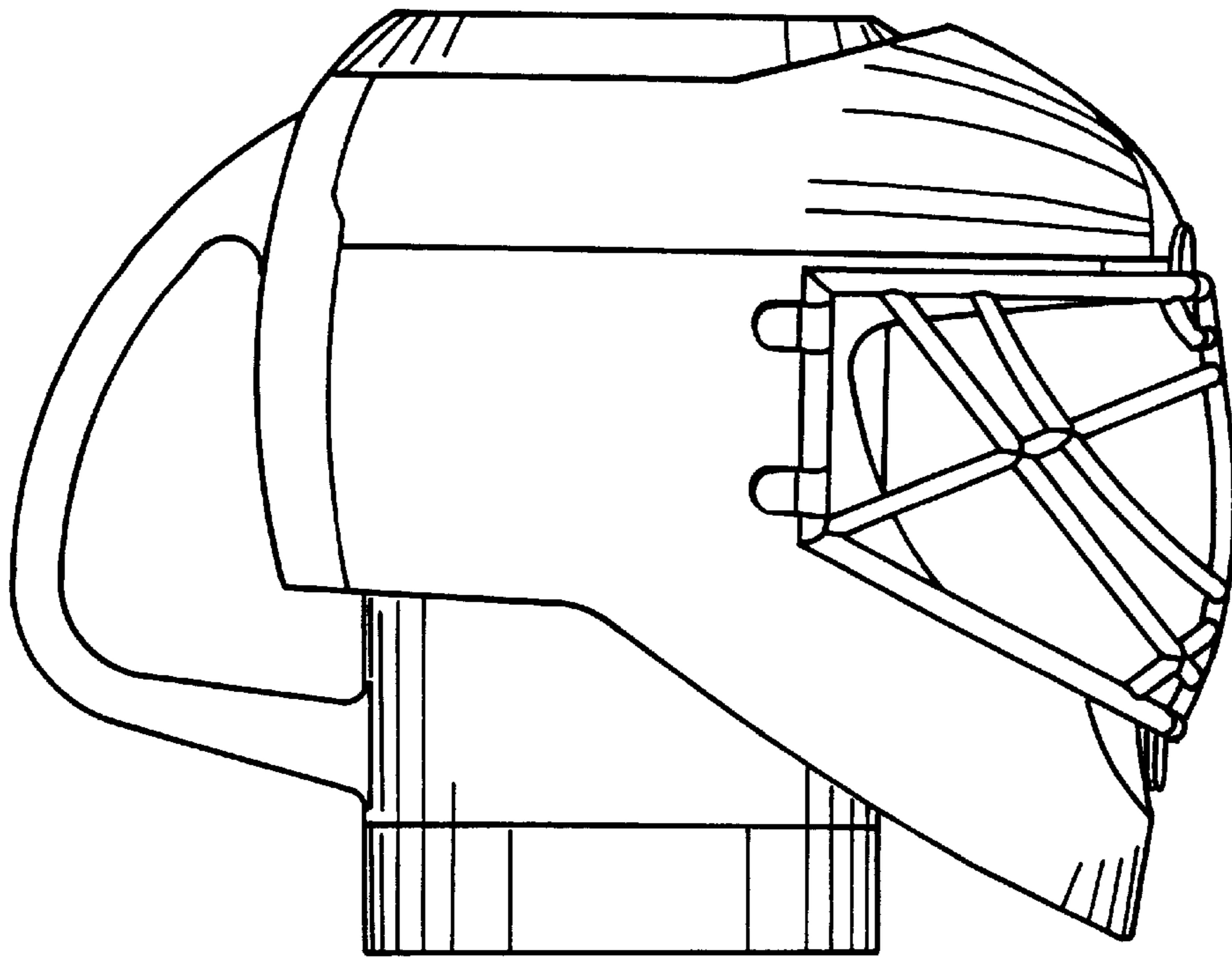


FIG. 2

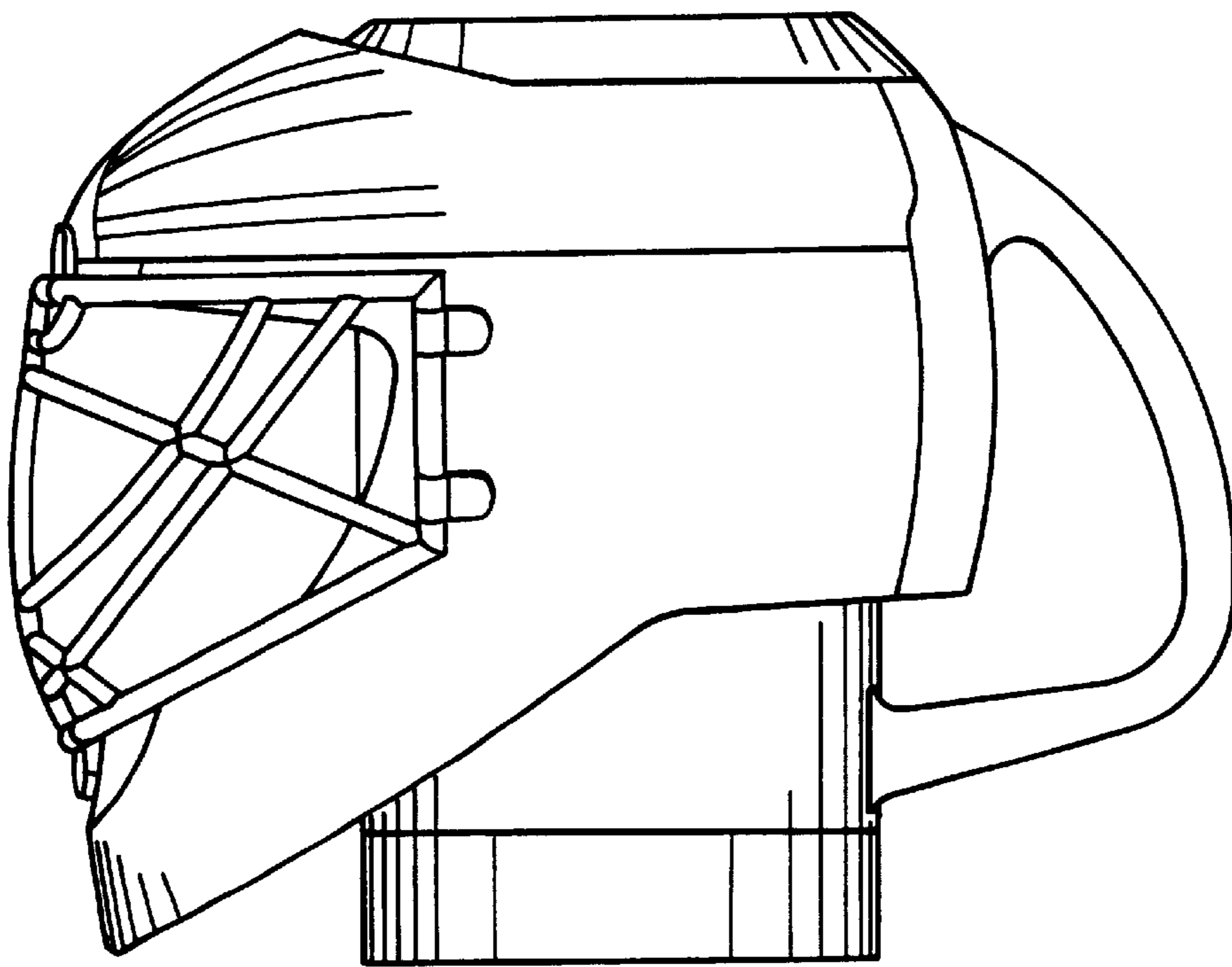


FIG. 3

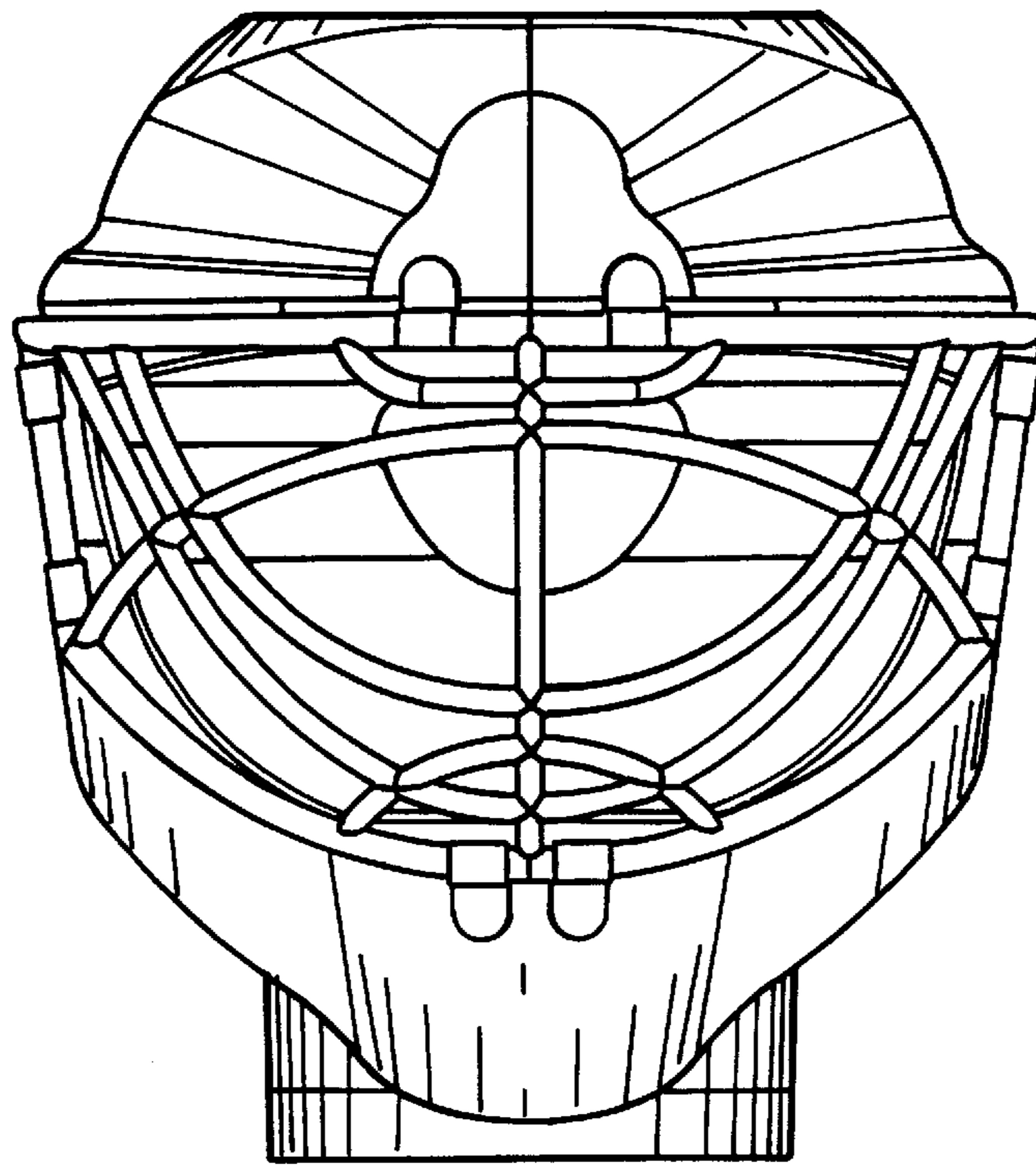


FIG. 4

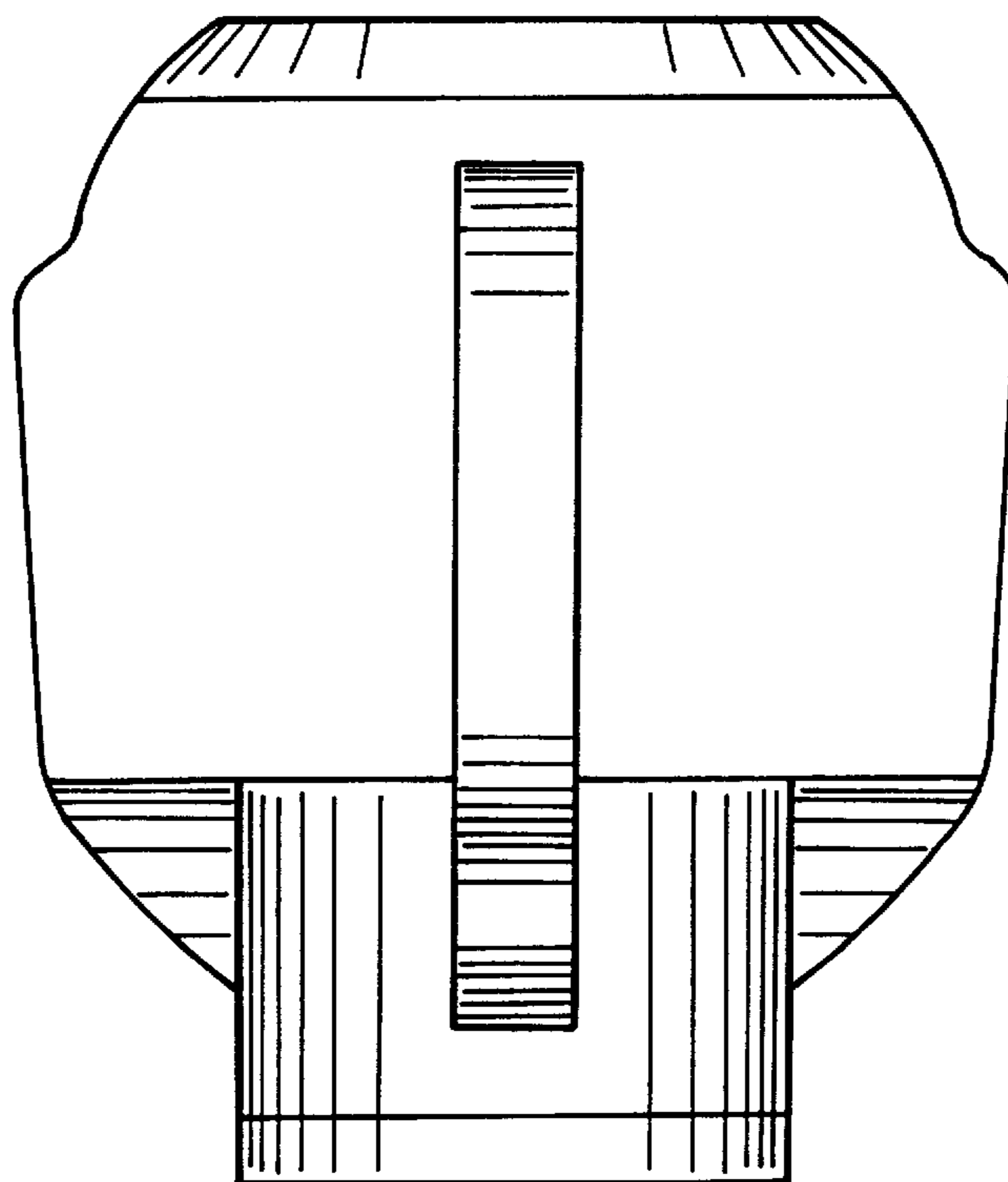


FIG. 5

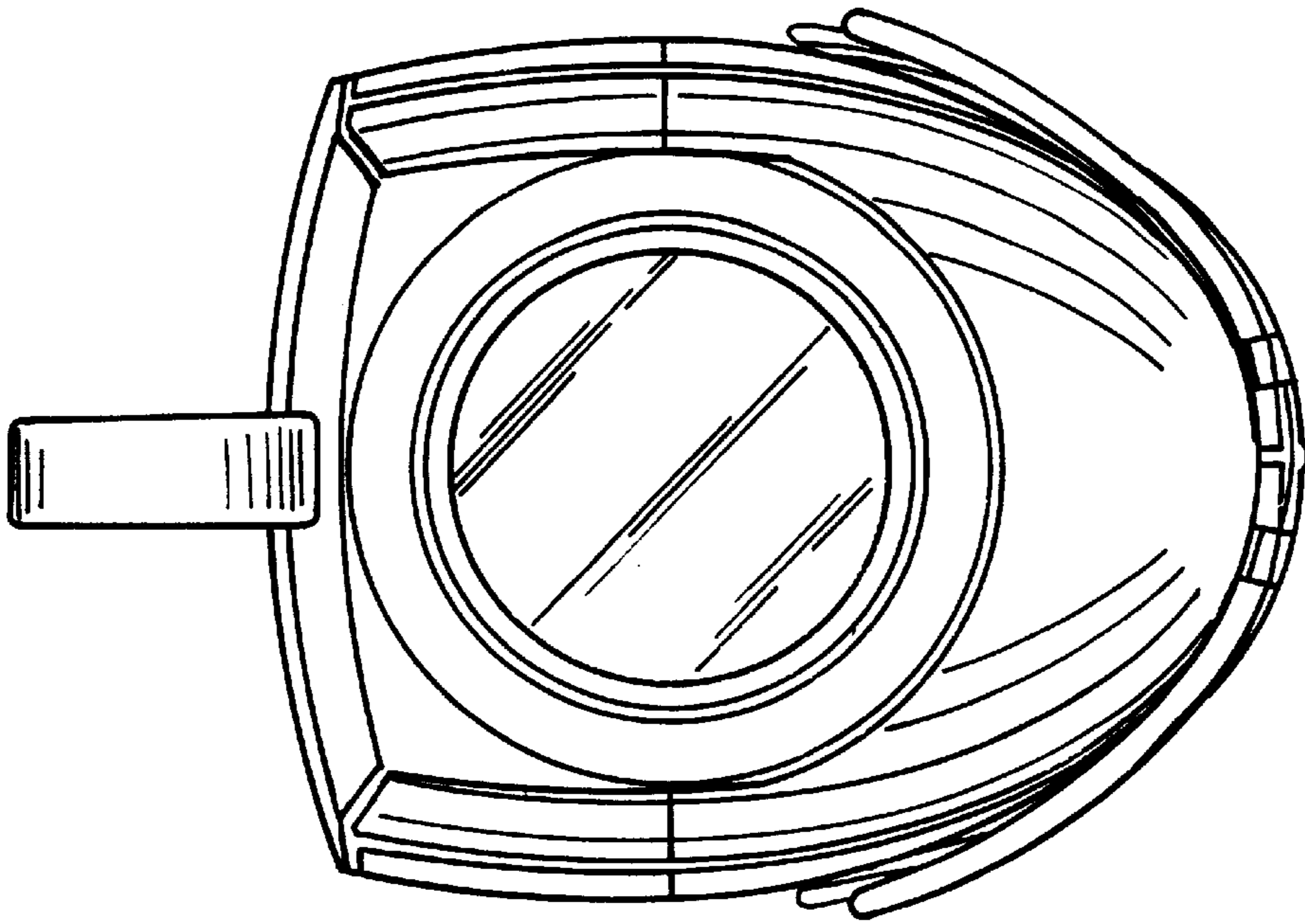


FIG. 6

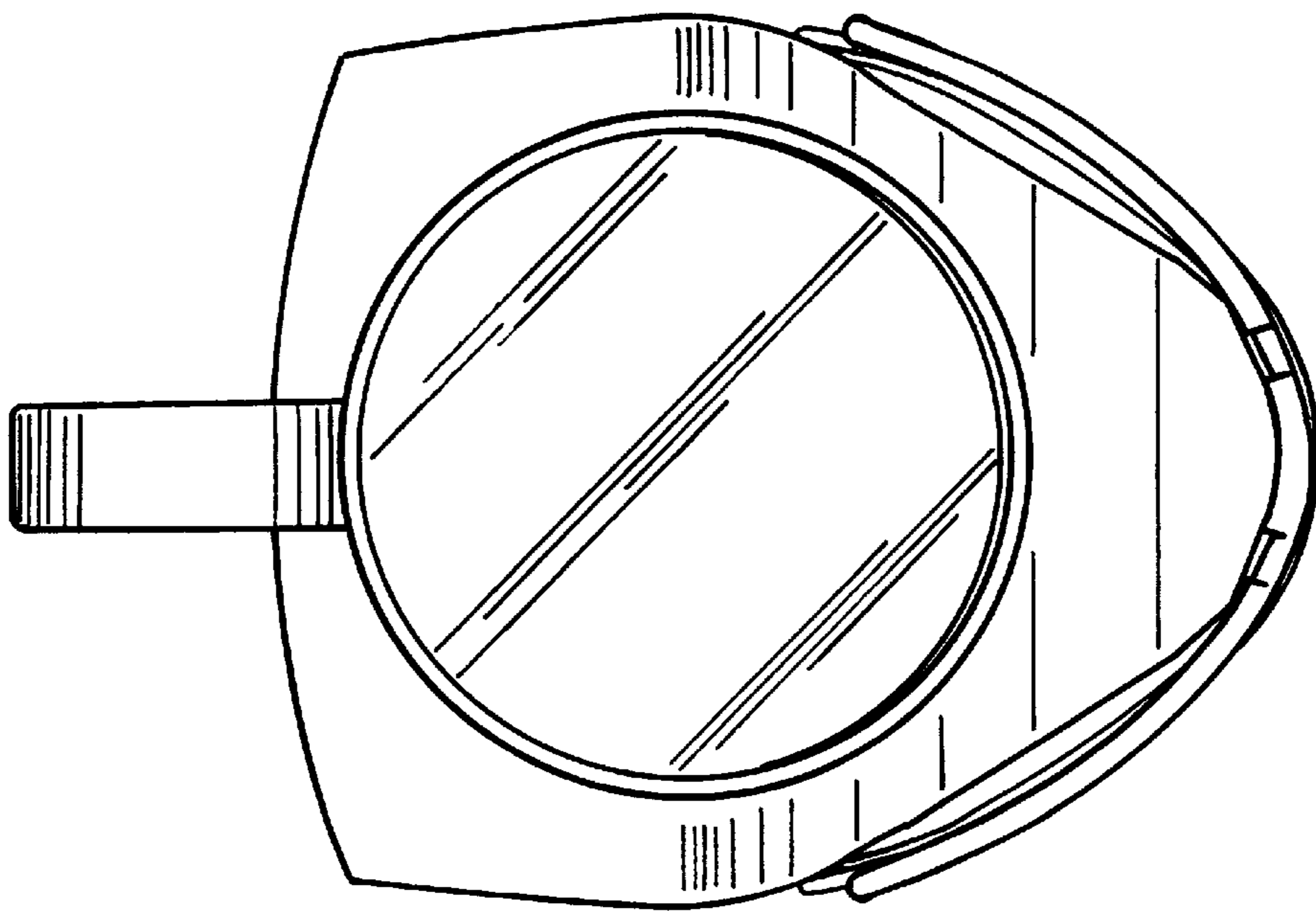


FIG. 7