



US00D441253S

(12) **United States Design Patent**
Chen

(10) **Patent No.:** **US D441,253 S**

(45) **Date of Patent:** **** May 1, 2001**

(54) **WATER PUMPING AND SUPPLY DEVICE**

(76) **Inventor:** **Chun Sheng Chen**, No. 14, Lane 69,
Tian Jin Road Section 4, Pei Tun Dist.,
Taichung City (TW)

(**) **Term:** **14 Years**

(21) **Appl. No.:** **29/117,497**

(22) **Filed:** **Jan. 28, 2000**

(51) **LOC (7) Cl.** **07-99**

(52) **U.S. Cl.** **D7/398; D9/448**

(58) **Field of Search** D23/238, 231,
D23/213, 223-227; D7/300, 398, 300.1;
D9/448, 300; 137/123, 150; 222/207

(56) **References Cited**

U.S. PATENT DOCUMENTS

- D. 26,869 * 4/1897 French D23/231
- D. 177,420 * 4/1956 Lipman D9/448
- D. 186,355 * 10/1959 Stier D7/300.1
- D. 223,693 * 5/1972 Chi D7/398
- D. 291,232 * 8/1987 Haug et al. D23/238

- D. 338,372 * 8/1993 Geneste D7/398
- D. 341,410 * 11/1993 Mloinaro D23/238
- 2,253,474 * 8/1941 Webber 137/150
- 2,804,240 * 8/1957 Anderson 222/207
- 3,820,689 * 6/1974 Cocita 222/207

* cited by examiner

Primary Examiner—Louis S. Zarfes
Assistant Examiner—Gregory Andoll

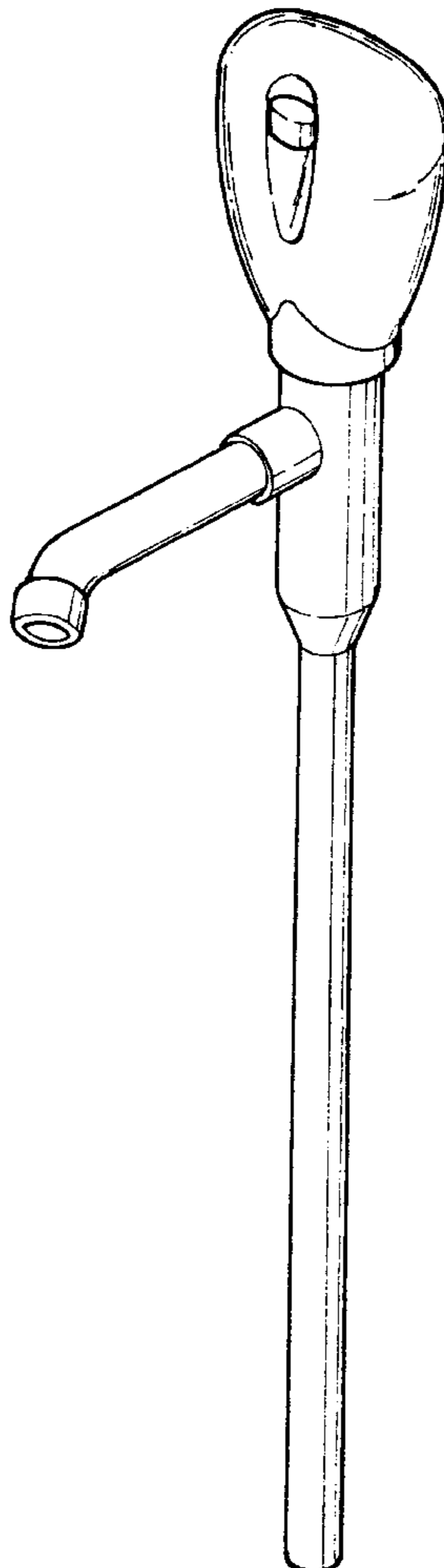
(57) **CLAIM**

The ornamental design for a water pumping and supply device, as shown and described.

DESCRIPTION

FIG. 1 is a perspective view of a water pumping and supply device showing my new design;
FIG. 2 is a front elevational view thereof;
FIG. 3 is a rear elevational view thereof;
FIG. 4 is a left side elevational view thereof;
FIG. 5 is a right side elevational view thereof;
FIG. 6 is a top plan view thereof; and,
FIG. 7 is a bottom plan view thereof.

1 Claim, 5 Drawing Sheets



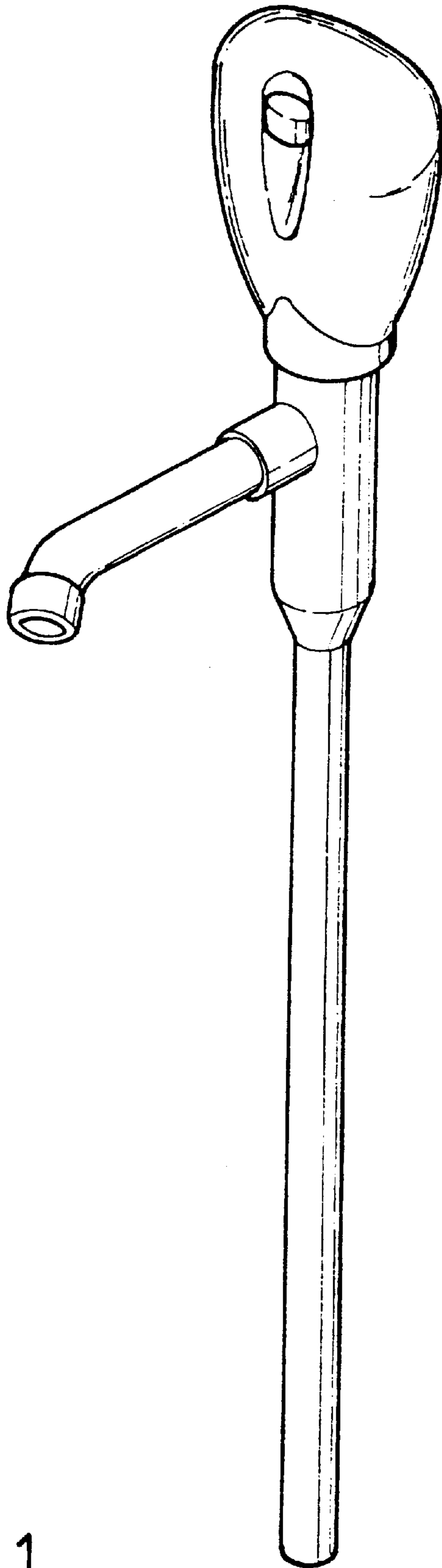


FIG. 1

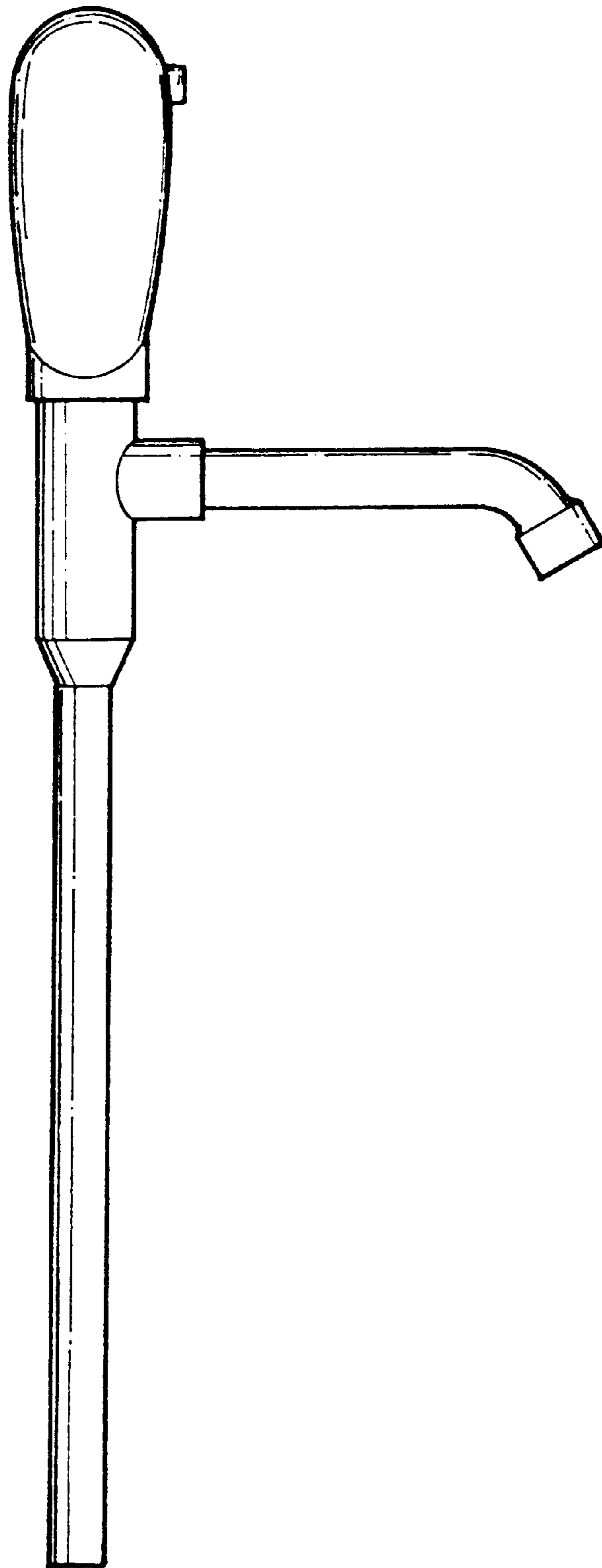


FIG. 2

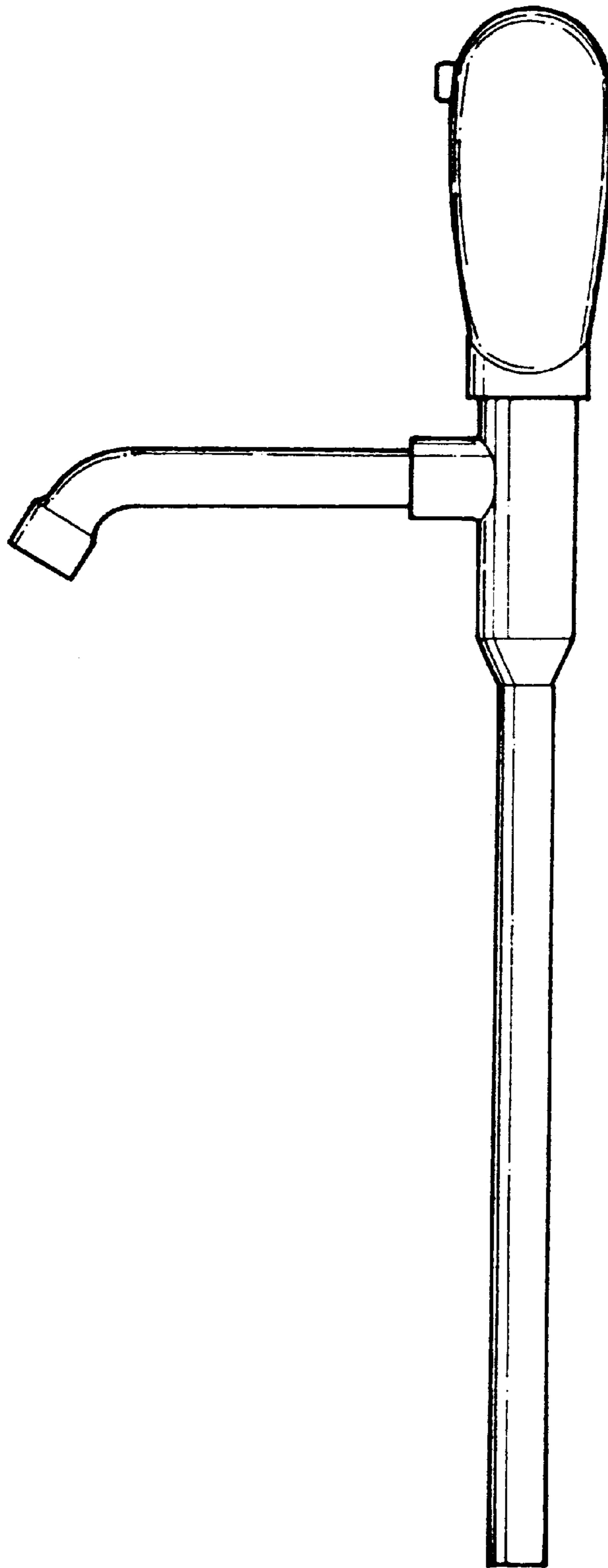


FIG. 3

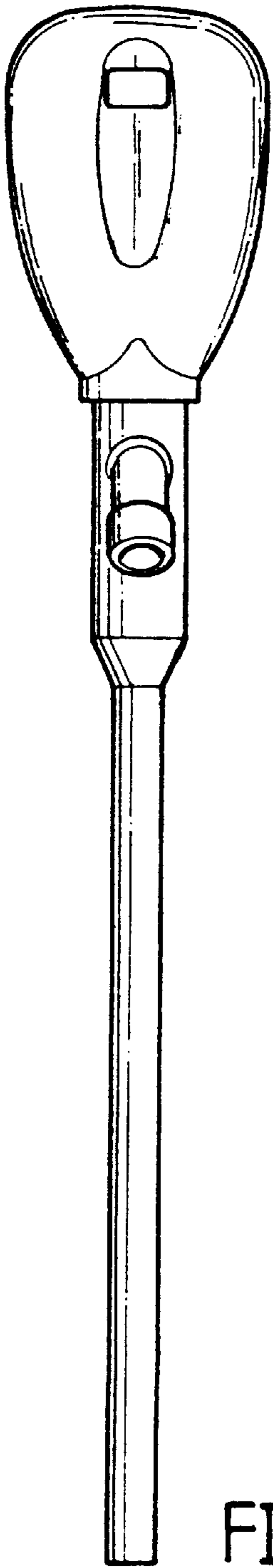


FIG. 5

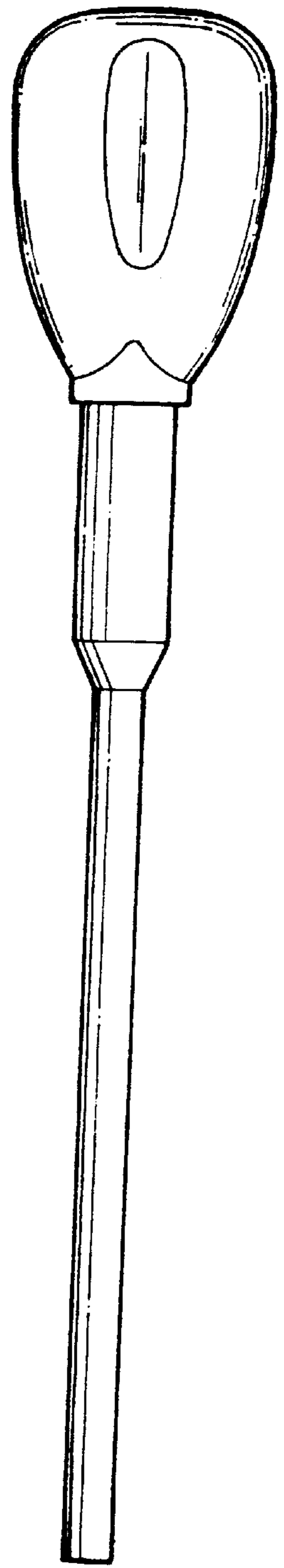


FIG. 4

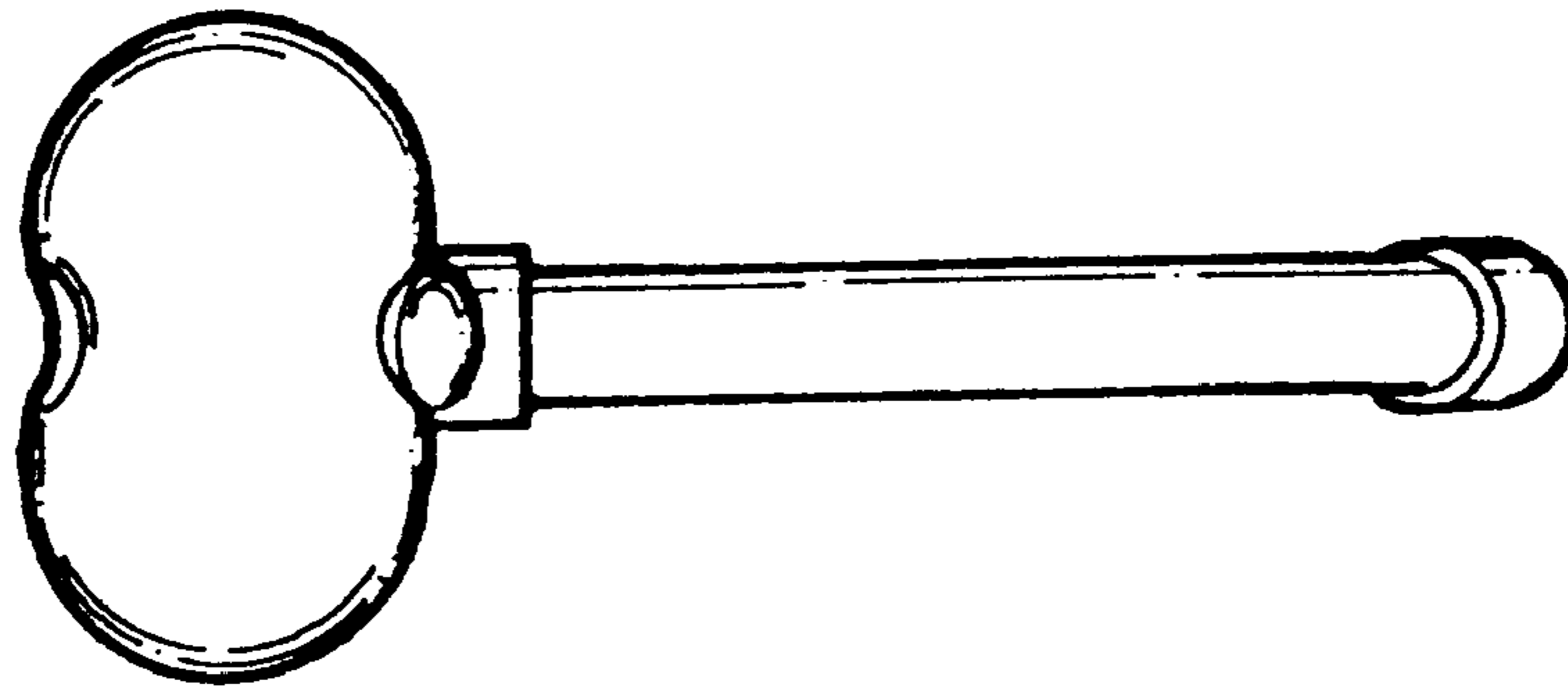


FIG. 6

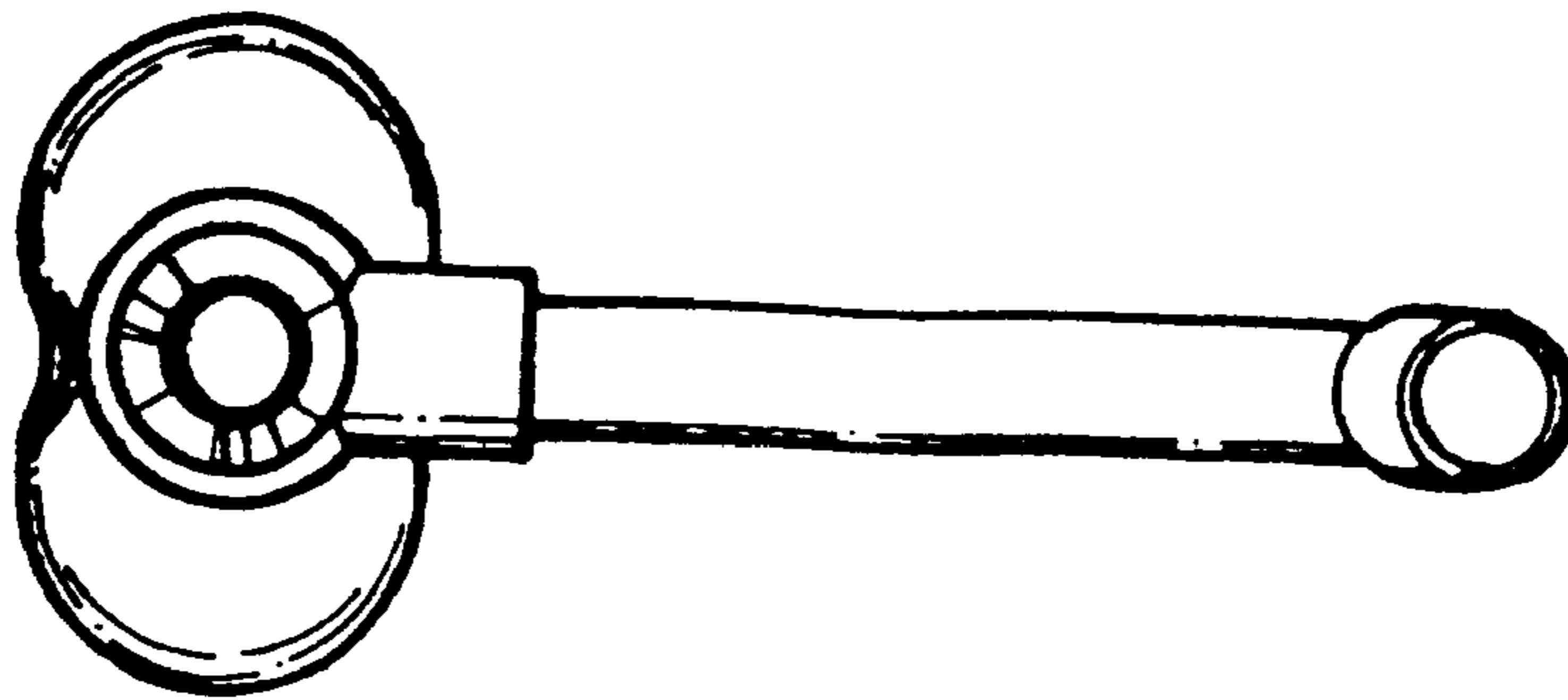


FIG. 7