



US00D441252S

(12) **United States Design Patent**  
**Gitschlag**

(10) **Patent No.:** **US D441,252 S**

(45) **Date of Patent:** **\*\* May 1, 2001**

(54) **SIDEWALL FOR A CUP**  
(75) Inventor: **John Gitschlag**, Chicago, IL (US)  
(73) Assignee: **Solo Cup Company**, Highland Park, IL (US)  
(\*\*) Term: **14 Years**

3,397,867	*	8/1968	Van'thoff	.....	366/341
3,951,266		4/1976	Brewer	.	
4,049,187		9/1977	Florian	.	
4,052,037	*	10/1977	Mair et al.	.....	366/341
4,061,782	*	12/1977	Baxter	.....	426/86
4,134,492	*	1/1979	Lucas	.....	206/217
4,420,081	*	12/1983	Dart	.....	206/217
4,548,348		10/1985	Clements	.	
5,423,160		6/1995	Rosén	.	

(21) Appl. No.: **29/110,838**  
(22) Filed: **Sep. 14, 1999**

\* cited by examiner

(51) **LOC (7) Cl.** ..... **07-99**  
(52) **U.S. Cl.** ..... **D7/396.2; D7/532**  
(58) **Field of Search** ..... **D7/509, 507, 523, D7/532, 534, 533, 530, 531, 312, 510; 220/727, 23.86, 610; 206/519, 217, 520; 426/86; 366/341; D9/429; D11/152**

*Primary Examiner*—M. N. Pandozzi  
(74) *Attorney, Agent, or Firm*—Wallenstein & Wagner, Ltd.

(57) **CLAIM**

I claim the ornamental Design for a sidewall for a cup, as shown and described.

**DESCRIPTION**

(56) **References Cited**

**U.S. PATENT DOCUMENTS**

D. 198,139	*	5/1964	Edwards	.....	D7/312
D. 199,336	*	10/1964	Wanderer	.....	D9/429
D. 208,872	*	10/1967	Davis	.....	D7/531
D. 210,767	*	4/1968	Anglada	.....	D7/532
D. 213,173	*	1/1969	Lockhart et al.	.....	D7/532
D. 272,794	*	2/1984	Dart	.....	D7/532
D. 368,234	*	3/1996	Dickinson et al.	.....	D11/152
D. 387,619	*	12/1997	Gross et al.	.....	D7/510
D. 410,174	*	5/1999	Sheu	.....	D7/510
D. 416,757	*	11/1999	Ginuntoli	.....	D7/523
3,009,603	*	11/1961	Stockdale	.....	206/519
3,091,360	*	5/1963	Edwards	.....	206/520
3,139,213	*	6/1964	Edwards	.....	206/519

FIG. 1 is a perspective side view of a sidewall for a cup showing an embodiment of our new design having multiple top ribs and multiple bottom ribs;  
FIG. 2 is a front view of the sidewall for a cup, with the back, left and right sides being mirror images thereof;  
FIG. 3 is a top view, relative to FIG. 2, of the sidewall for a cup; and,  
FIG. 4 is a bottom view, relative to FIG. 2, of the sidewall for a cup.  
FIGS. 1 and 2 show portions broken away to show an indefinite number of stepped portions.  
The broken lines shown in FIGS. 1-4 are for illustrative purposes only and form no part of the claimed design.

**1 Claim, 1 Drawing Sheet**

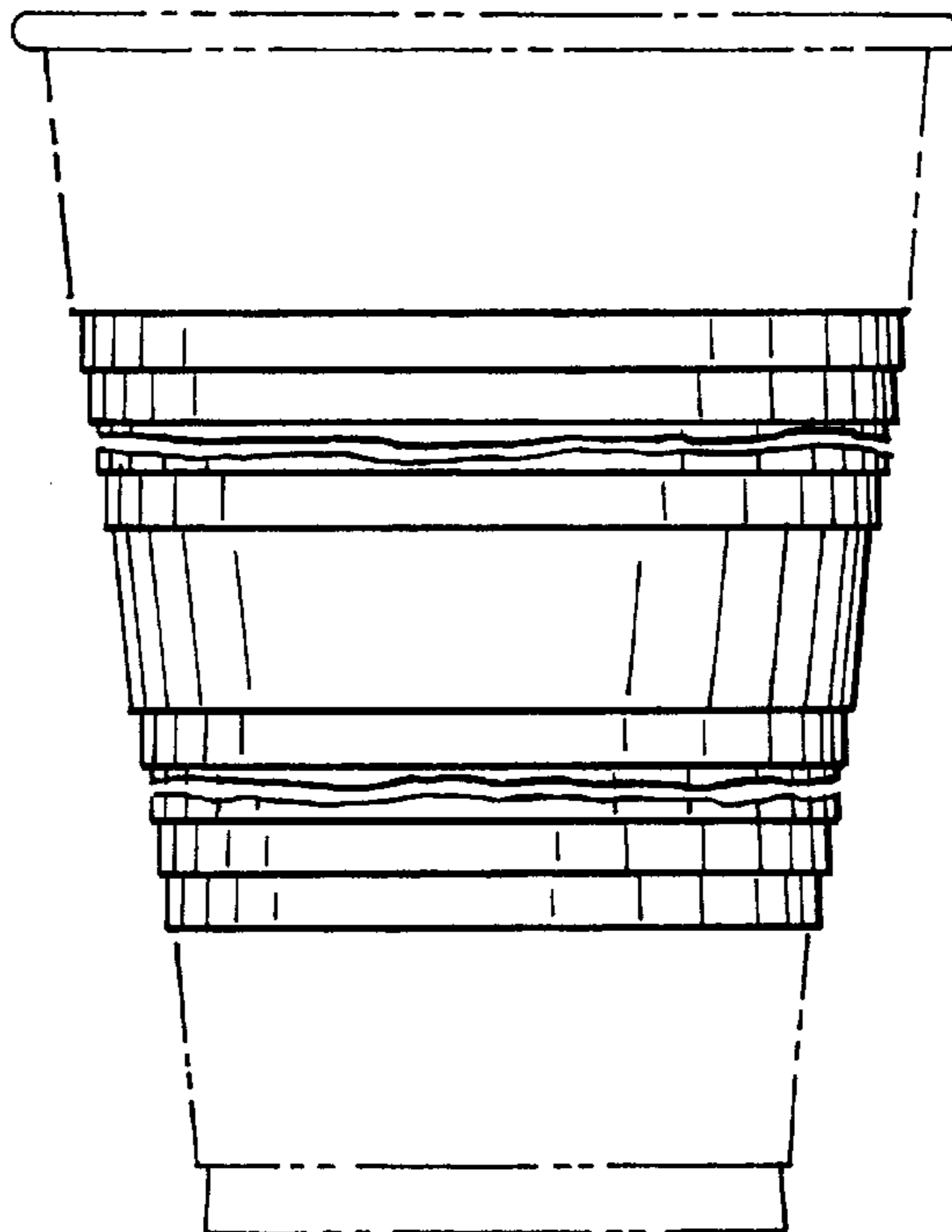


FIG.1

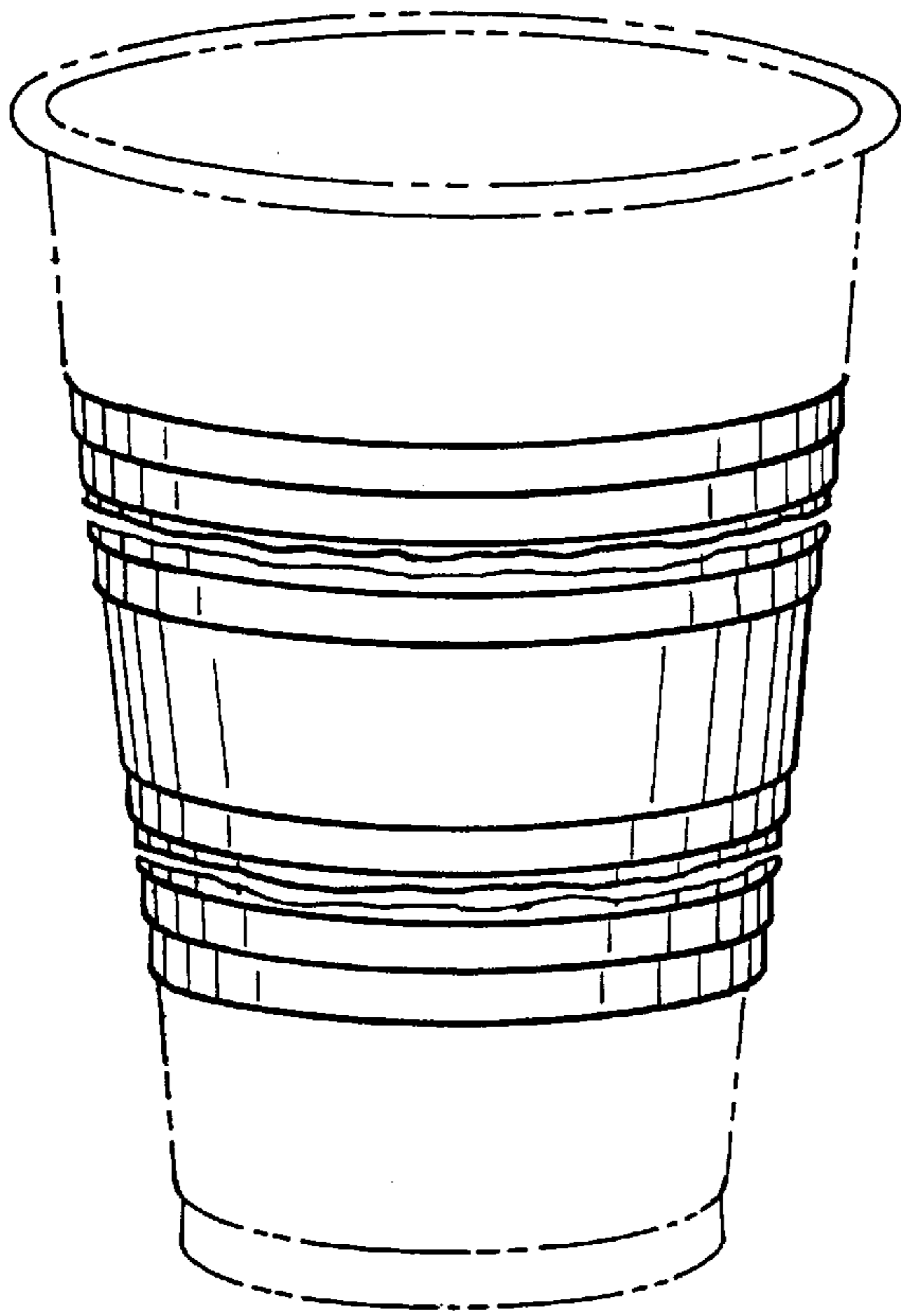


FIG.2

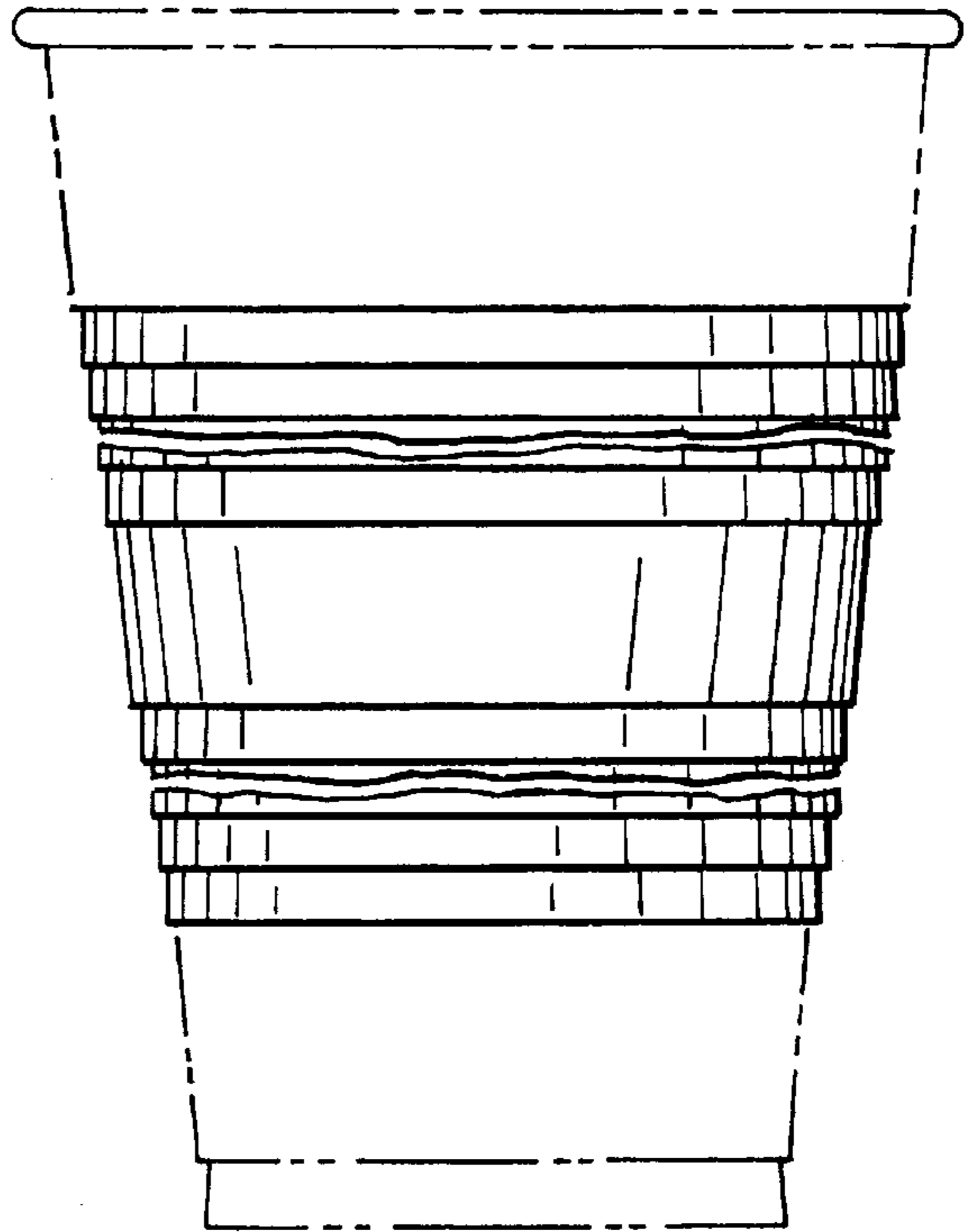


FIG.3

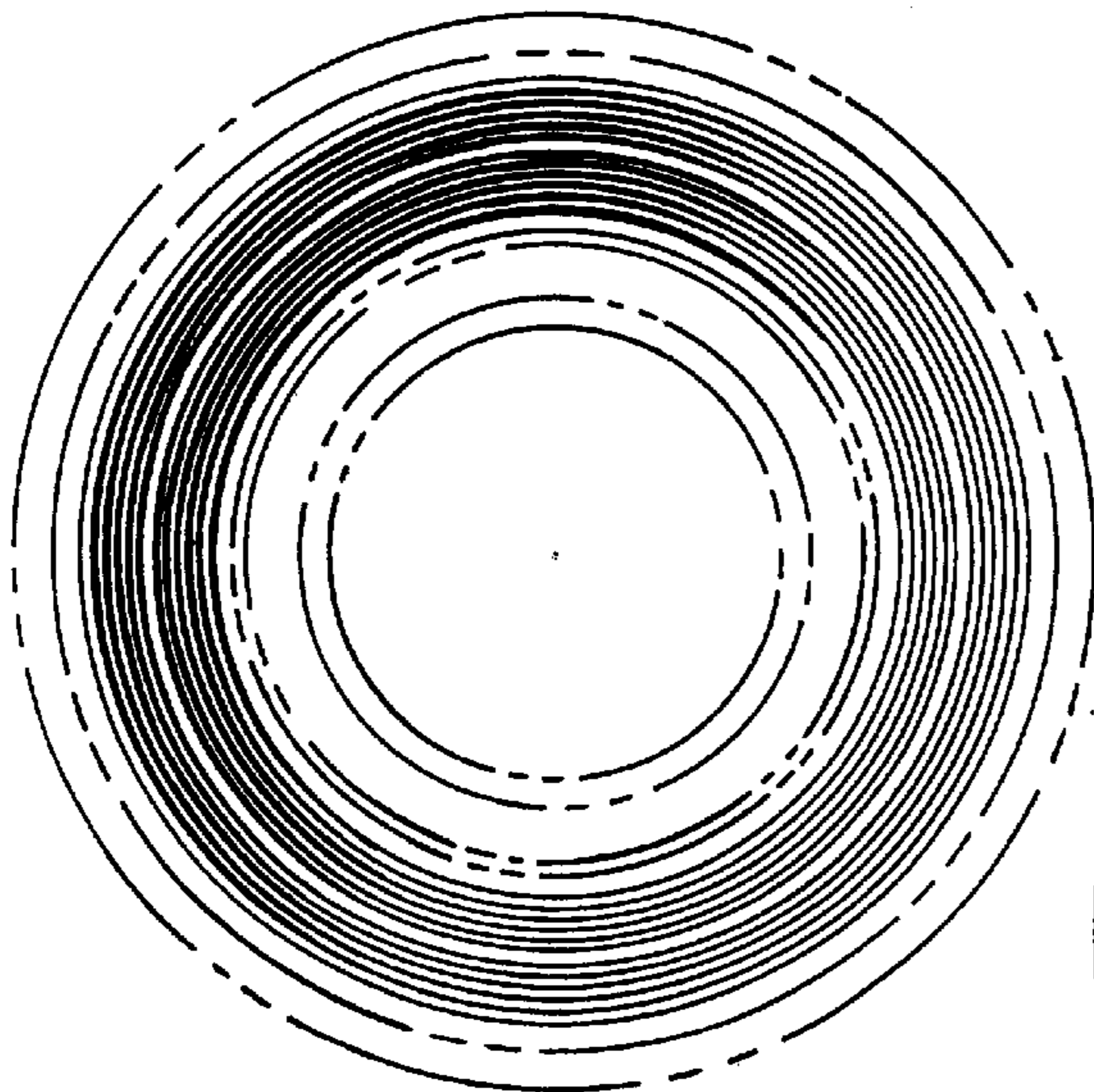


FIG.4

