



US00D441251S

(12) **United States Design Patent**
Drumm

(10) **Patent No.:** **US D441,251 S**

(45) **Date of Patent:** **** May 1, 2001**

(54) **ROASTER OVEN WITH END CAPS**

(75) **Inventor:** **Wesley C. Drumm**, Manitowoc, WI (US)

(73) **Assignee:** **The Metal Ware Corporation**, Two Rivers, WI (US)

(**) **Term:** **14 Years**

(21) **Appl. No.:** **29/111,358**

(22) **Filed:** **Sep. 24, 1999**

(51) **LOC (7) Cl.** **07-02**

(52) **U.S. Cl.** **D7/366**

(58) **Field of Search** D7/348, 350-351, D7/354, 402, 323, 360, 362, 363, 337, 366; 126/273 R, 275 R, 275 E, 19 M, 19 R, 21 A, 200, 294, 41 R; 219/678, 680, 756-758, 400; 99/421 H, 419, 427, 426, 332, 482, 446, 331

(56) **References Cited**

U.S. PATENT DOCUMENTS

- D. 231,892 * 6/1974 Warshauer D7/365
- D. 250,448 * 12/1978 Boldt et al. D7/360
- D. 384,545 10/1997 Wang .
- D. 385,456 10/1997 Wang .
- D. 393,176 4/1998 Jung .
- D. 393,177 4/1998 Jung .

- D. 394,780 6/1998 Jung .
- D. 395,193 6/1998 Lee .
- D. 406,721 3/1999 Schubert-Belle et al. .
- D. 414,982 * 10/1999 Hopkins et al. D7/362
- D. 427,480 * 7/2000 Brady D7/354
- 3,669,004 6/1972 Eaton, Jr. et al. .
- 4,302,660 11/1981 Swanson et al. .
- 4,307,285 12/1981 DeRemer .
- 5,381,729 * 1/1995 Hennessy et al. 99/483
- 6,062,130 * 5/2000 Brady 99/332

* cited by examiner

Primary Examiner—Ruth McInroy

(74) *Attorney, Agent, or Firm*—Godfrey & Kahn, S.C.; William K. Baxter

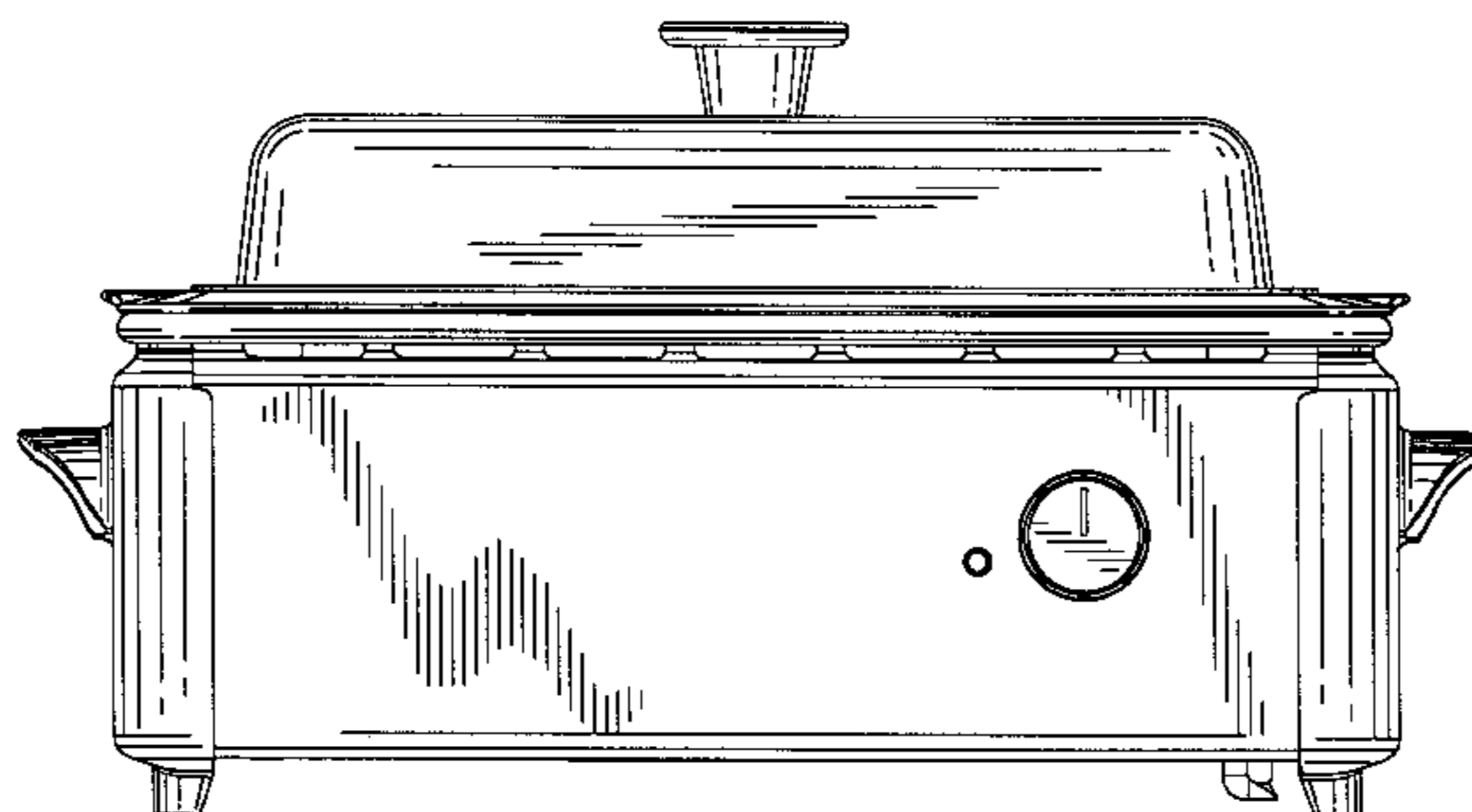
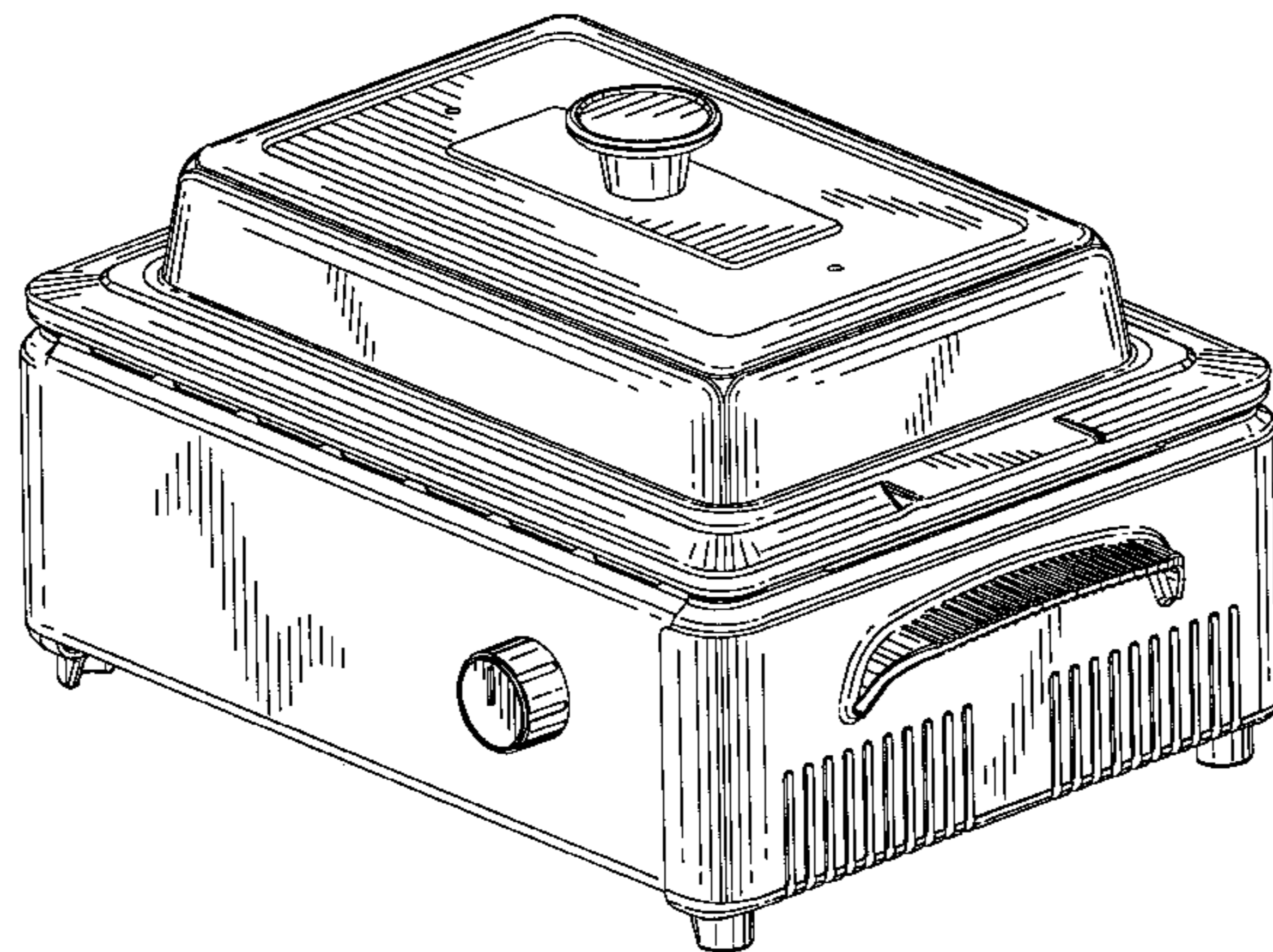
(57) **CLAIM**

The ornamental design of a roaster oven with end caps, as shown and described.

DESCRIPTION

FIG. 1 is a perspective view of a roaster oven showing the new design;
 FIG. 2 is a front view thereof;
 FIG. 3 is a top view thereof;
 FIG. 4 is a left, end view thereof;
 FIG. 5 is a right, end view thereof; and,
 FIG. 6 is a bottom view thereof.

1 Claim, 5 Drawing Sheets



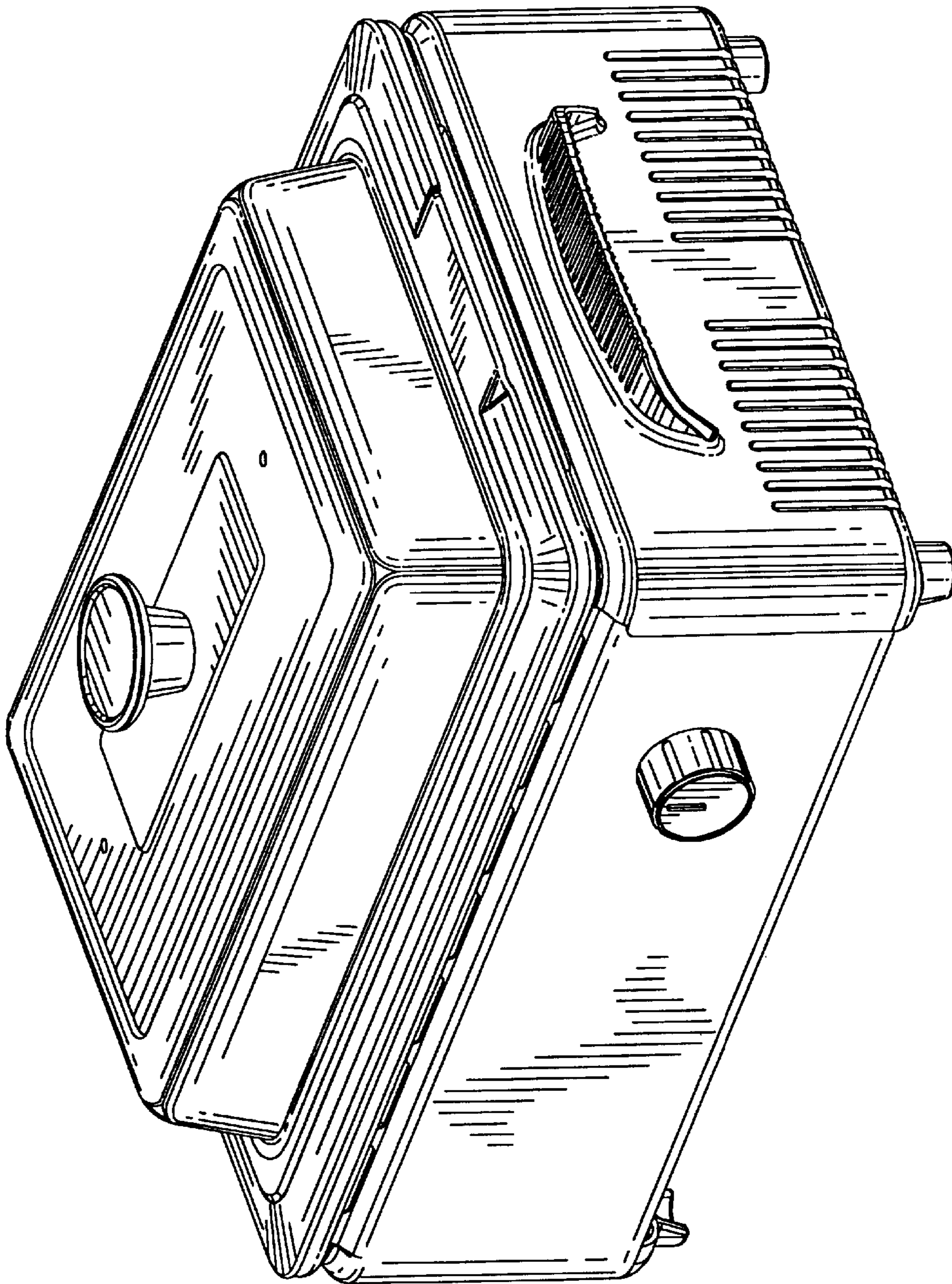


FIG-1

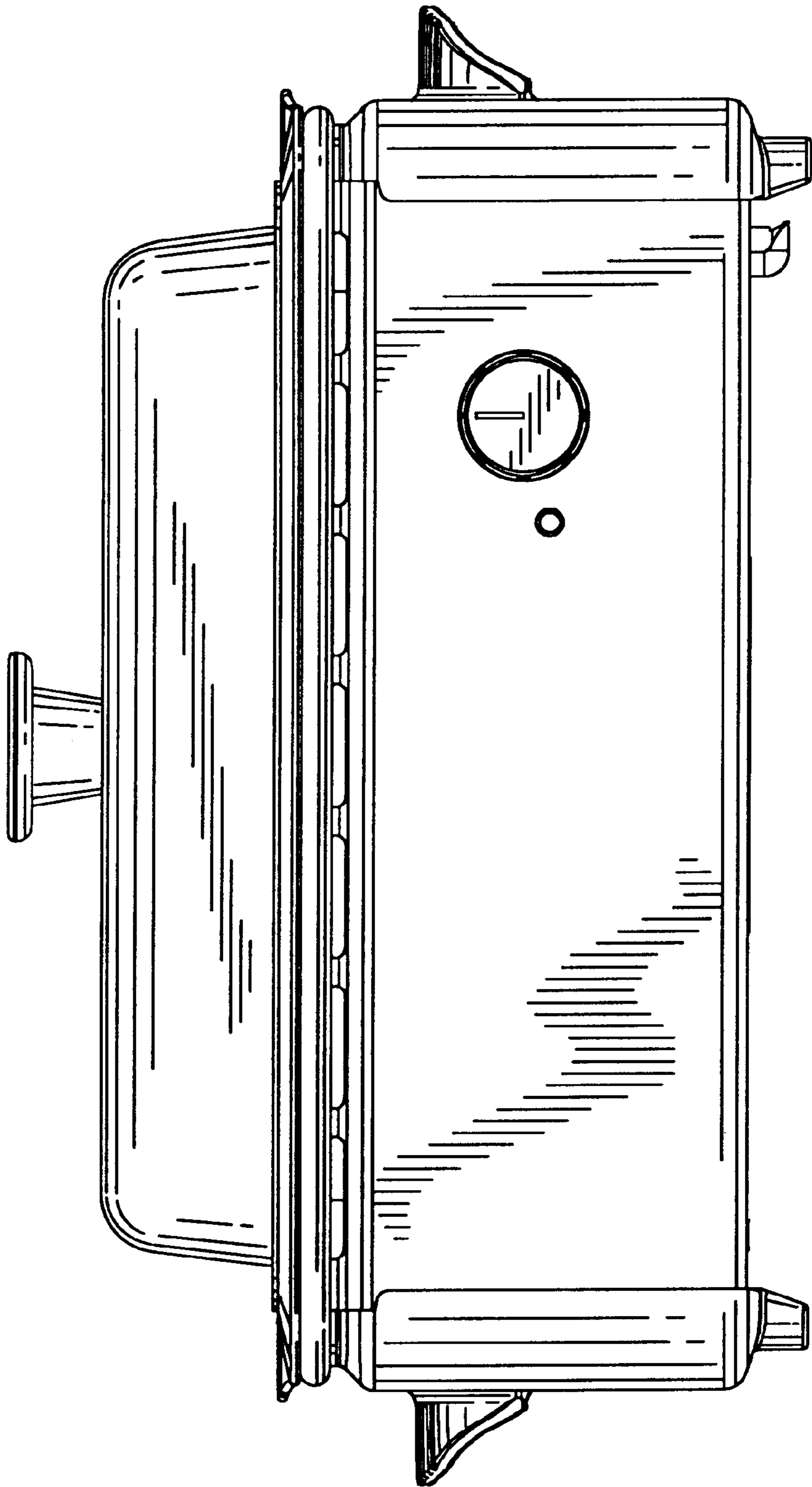


FIG. 2

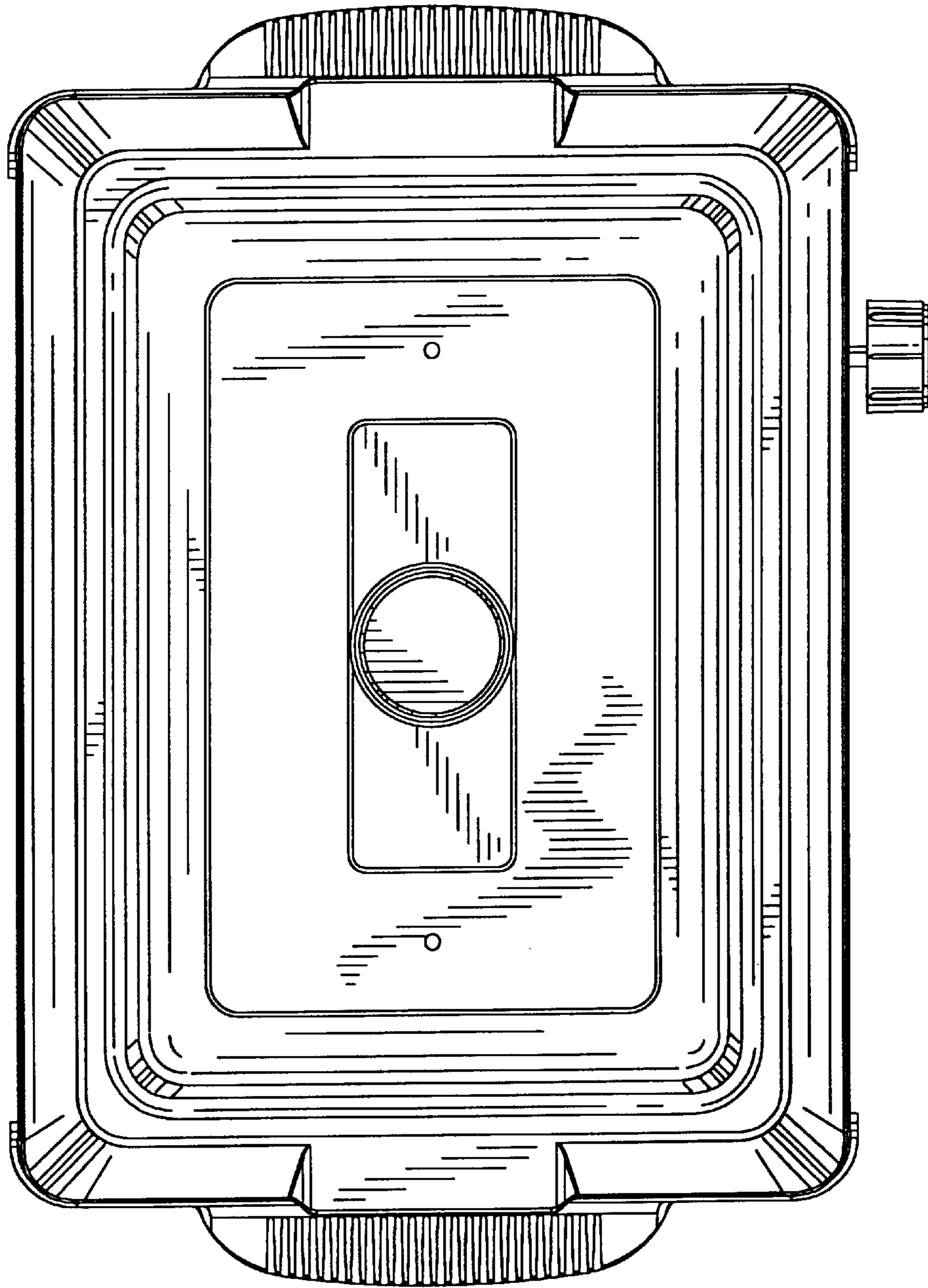


FIG. 3

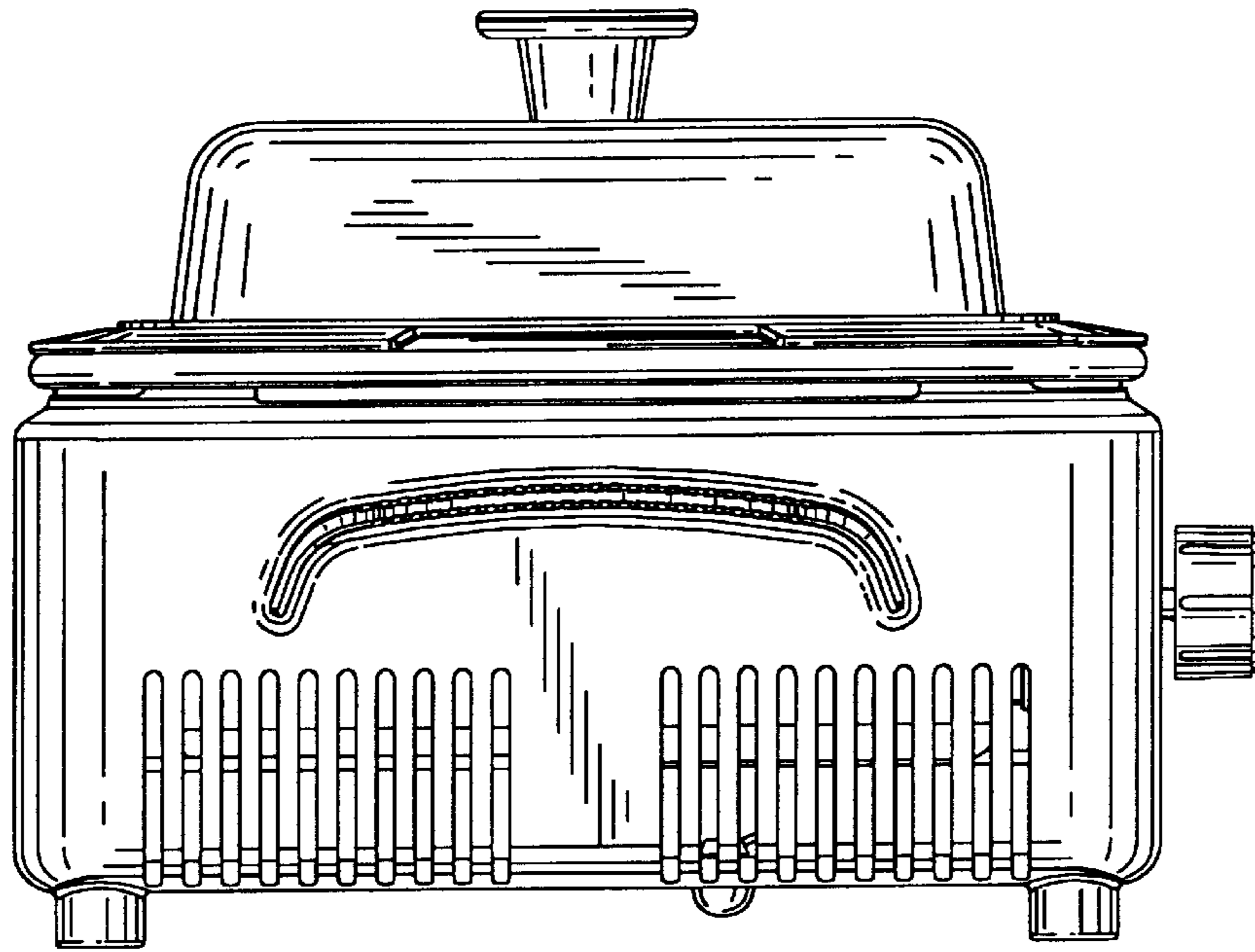


FIG. 4

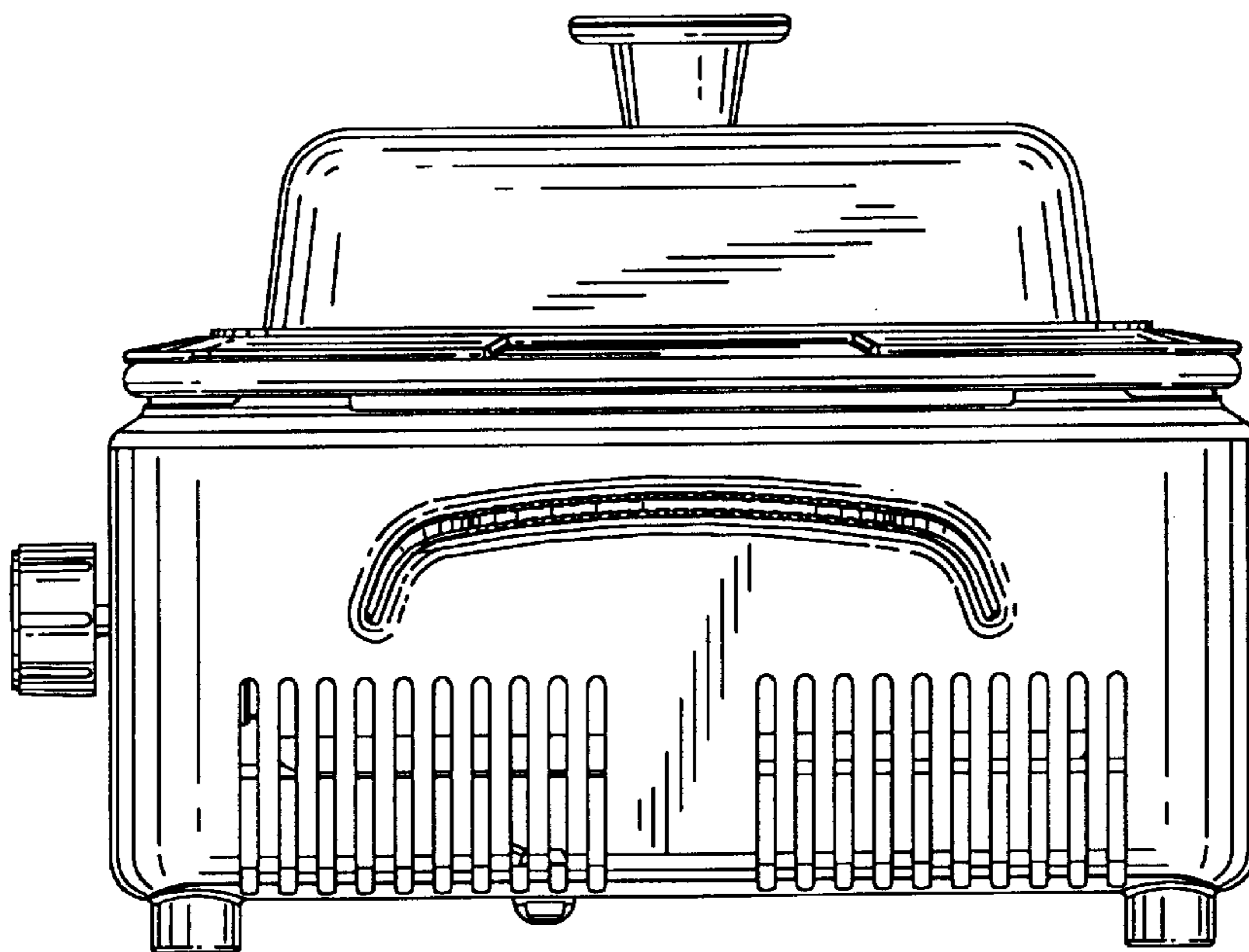


FIG. 5

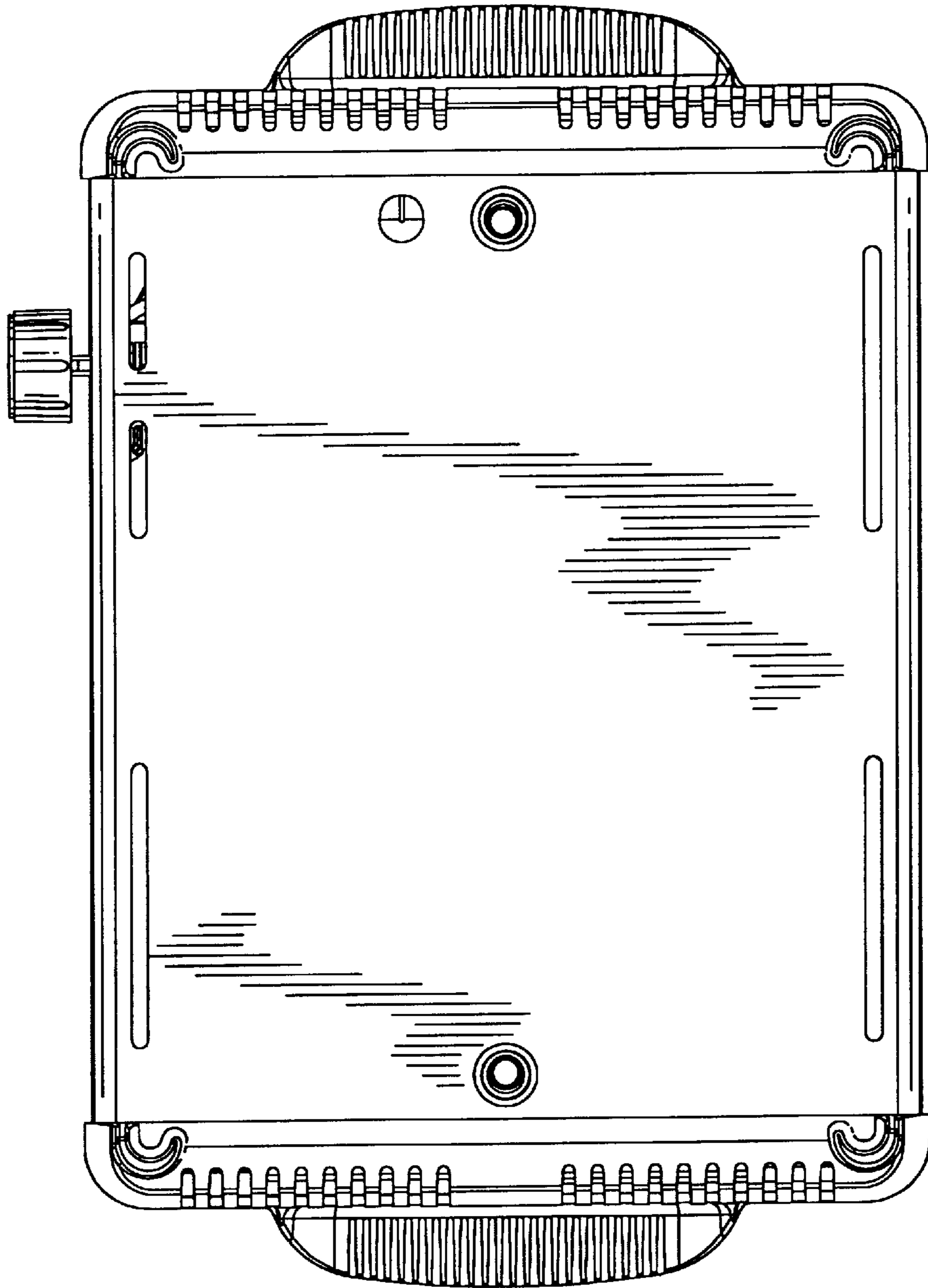


FIG. 6