



US00D441249S

(12) **United States Design Patent**
Kitten

(10) **Patent No.:** **US D441,249 S**

(45) **Date of Patent:** **** May 1, 2001**

(54) **BARBEQUE GRILL**

(76) Inventor: **Jerry J. Kitten**, Rte. 2 Box 6, Slaton,
TX (US) 79364

(**) Term: **14 Years**

(21) Appl. No.: **29/116,470**

(22) Filed: **Jan. 3, 2000**

(51) **LOC (7) Cl.** **07-02**

(52) **U.S. Cl.** **D7/334**

(58) **Field of Search** D7/332-338, 402;
D12/36, 38; D21/129; 126/25 R, 25 A,
25 AA, 39 R, 41 R, 268

(56) **References Cited**

U.S. PATENT DOCUMENTS

D. 260,069	*	8/1981	Birmingham	D7/335
D. 285,279	*	8/1986	Arevalo et al.	D7/334
D. 302,094	*	7/1989	Reeves	D7/334
D. 340,612	*	10/1993	Birmingham	D7/334
D. 351,307	*	10/1994	Birmingham	D7/334
D. 366,804	*	2/1996	Kitten	D7/334

D. 390,609 * 2/1998 Eggers D20/35

* cited by examiner

Primary Examiner—Ruth McInroy

(74) *Attorney, Agent, or Firm*—Wendell Coffee

(57) **CLAIM**

The ornamental design for a barbeque grill, as shown.

DESCRIPTION

FIG. 1 is a front perspective view of a barbeque grill showing my new design with the serving board in a down position;

FIG. 2 is a front perspective view thereof with the serving board in an up position;

FIG. 3 is a left side elevational view thereof;

FIG. 4 is a right side elevational view thereof;

FIG. 5 is a bottom plan view thereof;

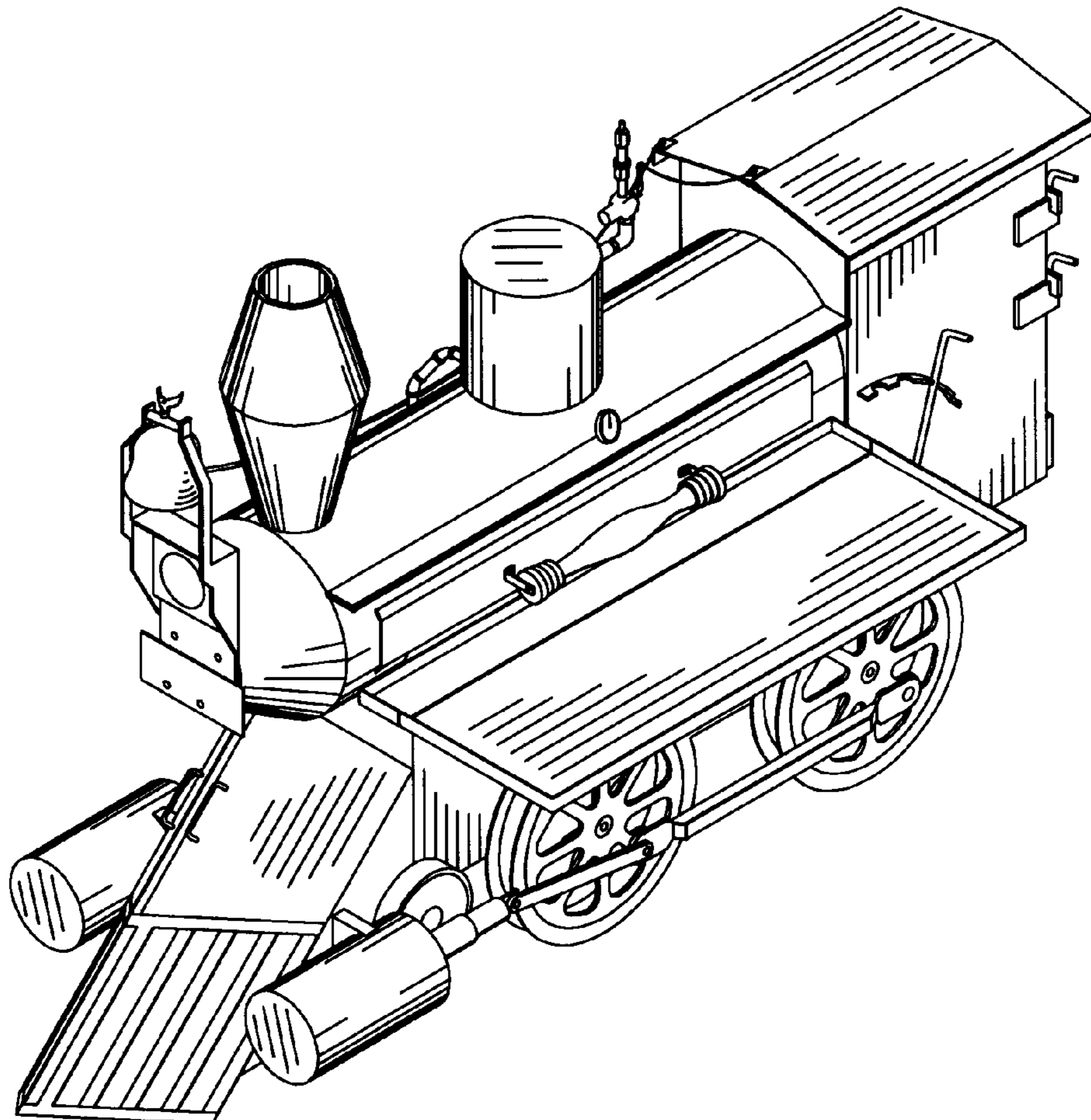
FIG. 6 is a rear elevational view thereof;

FIG. 7 is a top plan view thereof;

FIG. 8 is a front elevational view of FIG. 1; and,

FIG. 9 is a front elevation view of FIG. 2.

1 Claim, 4 Drawing Sheets



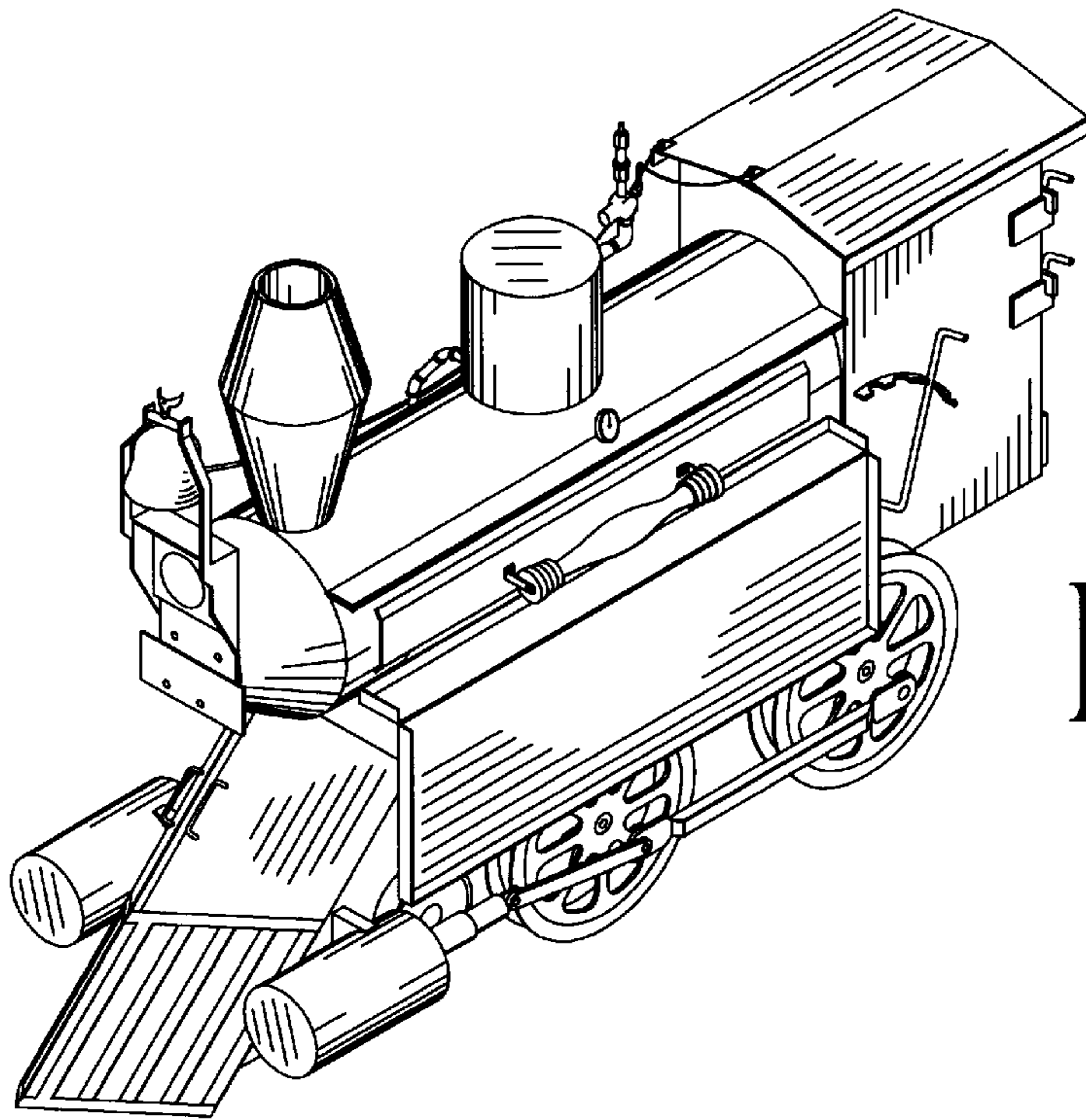
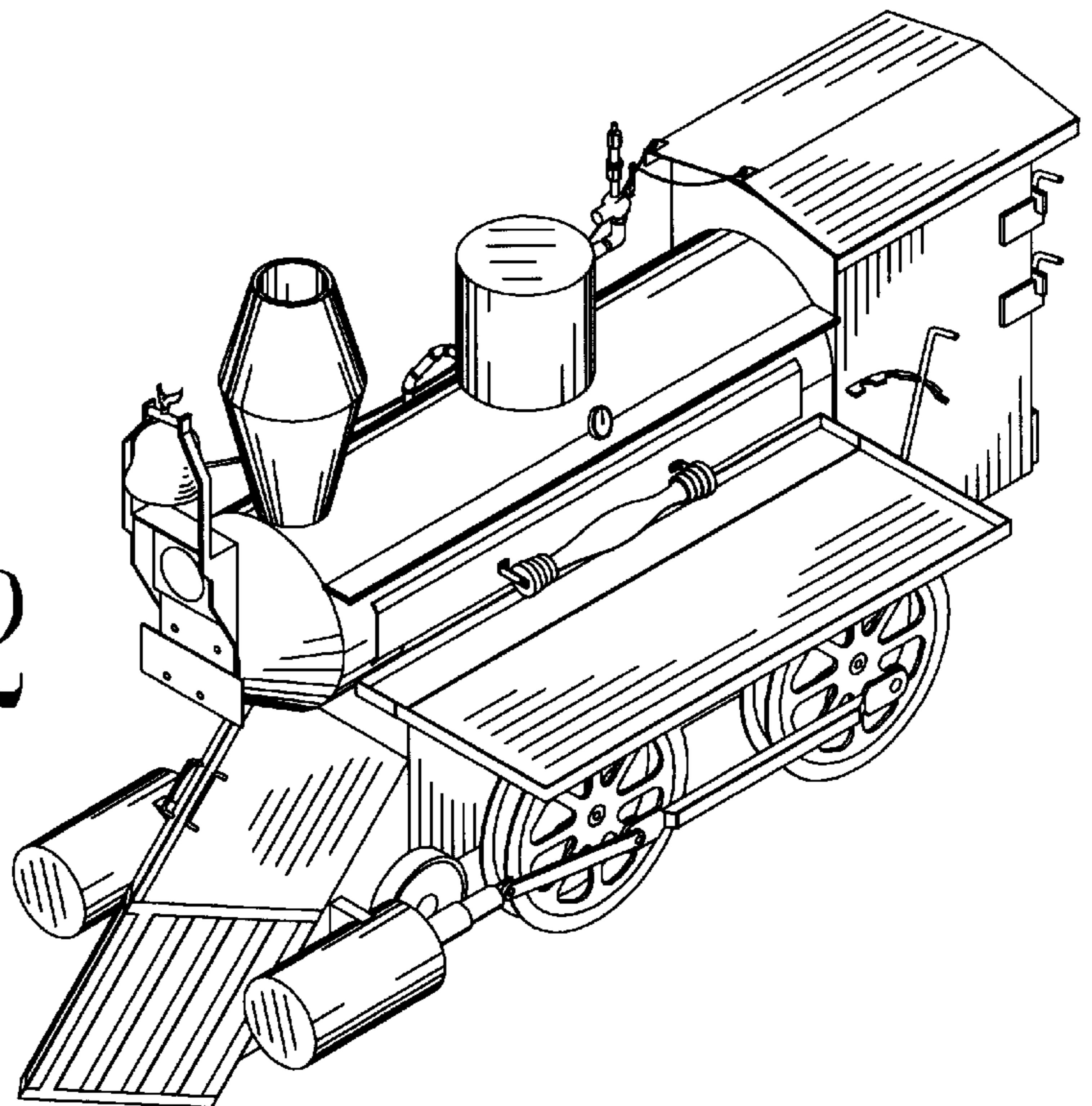


FIG 1

FIG 2



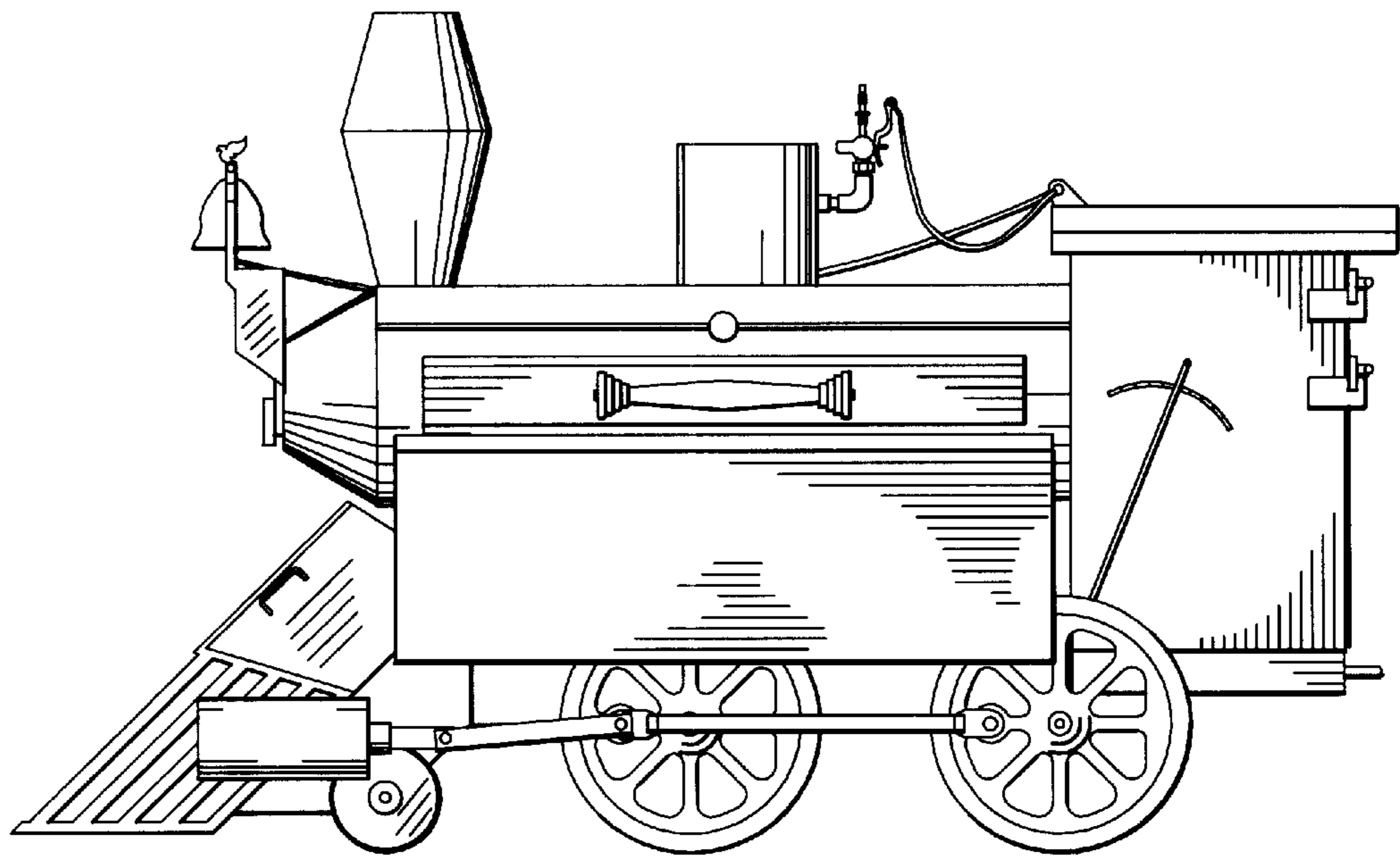


FIG 3

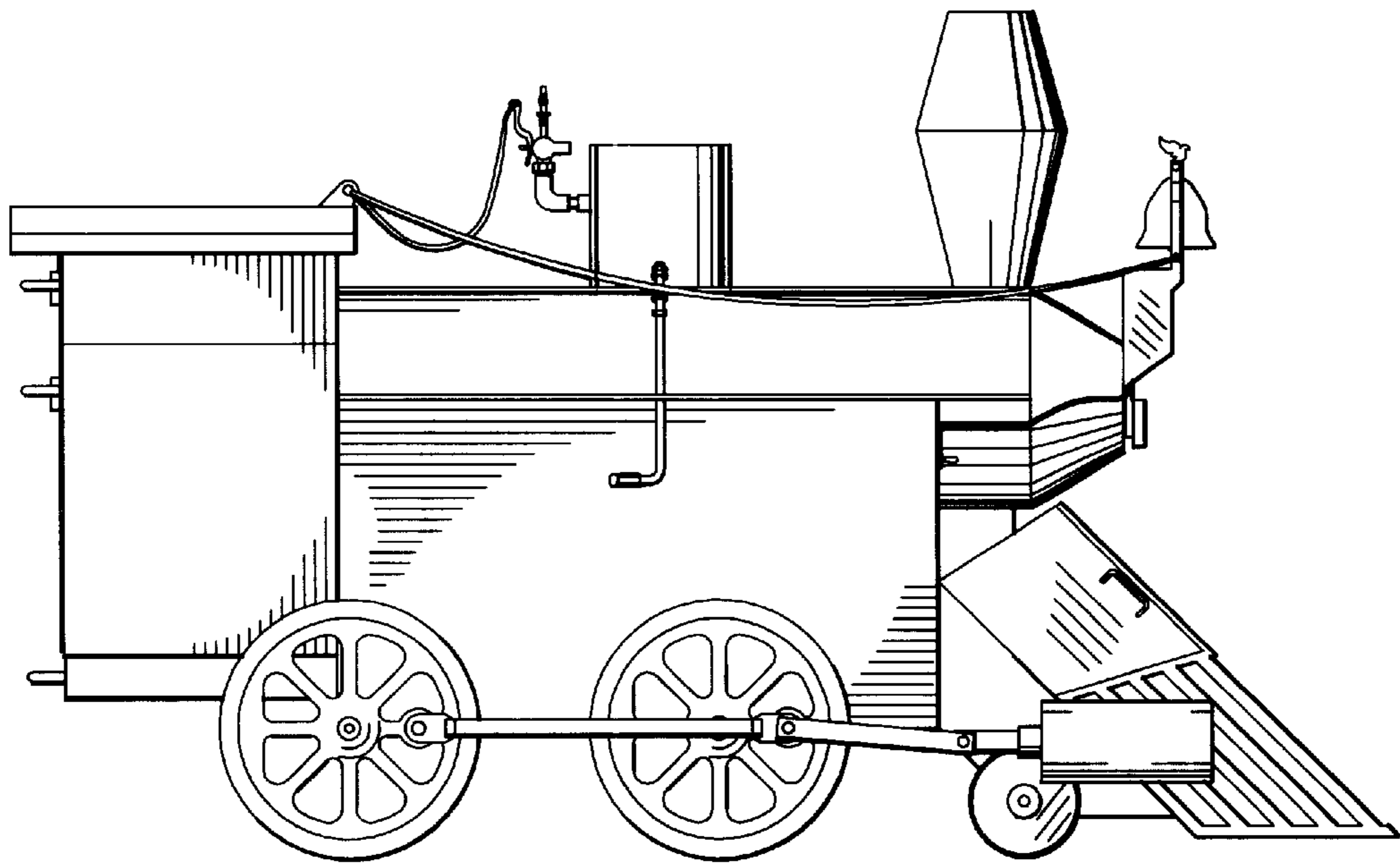


FIG 4

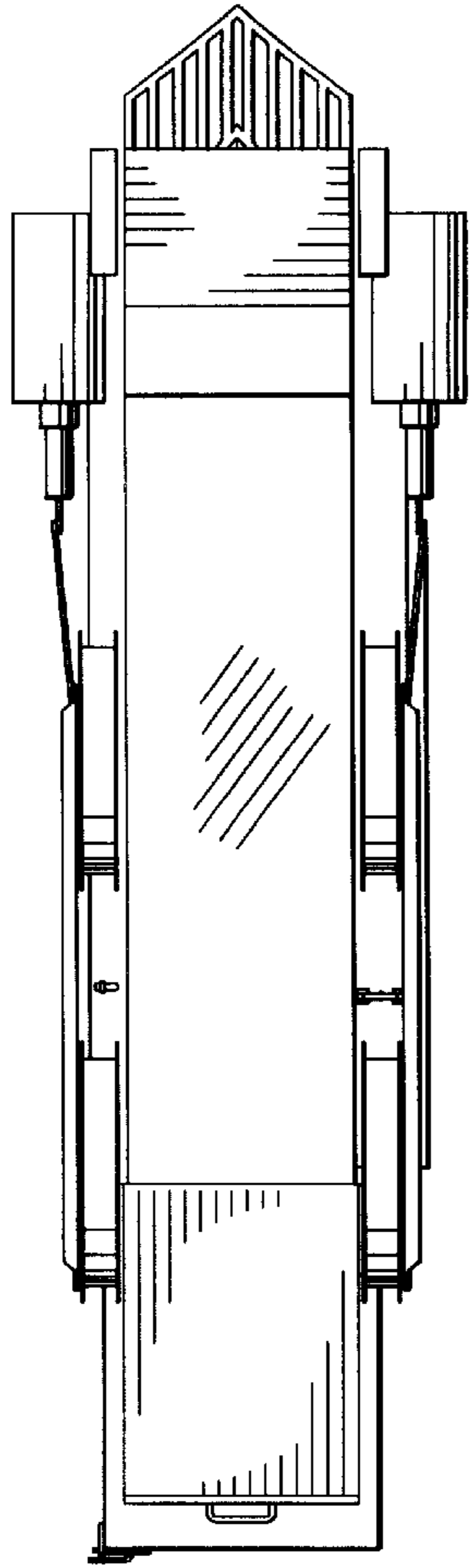


FIG 5

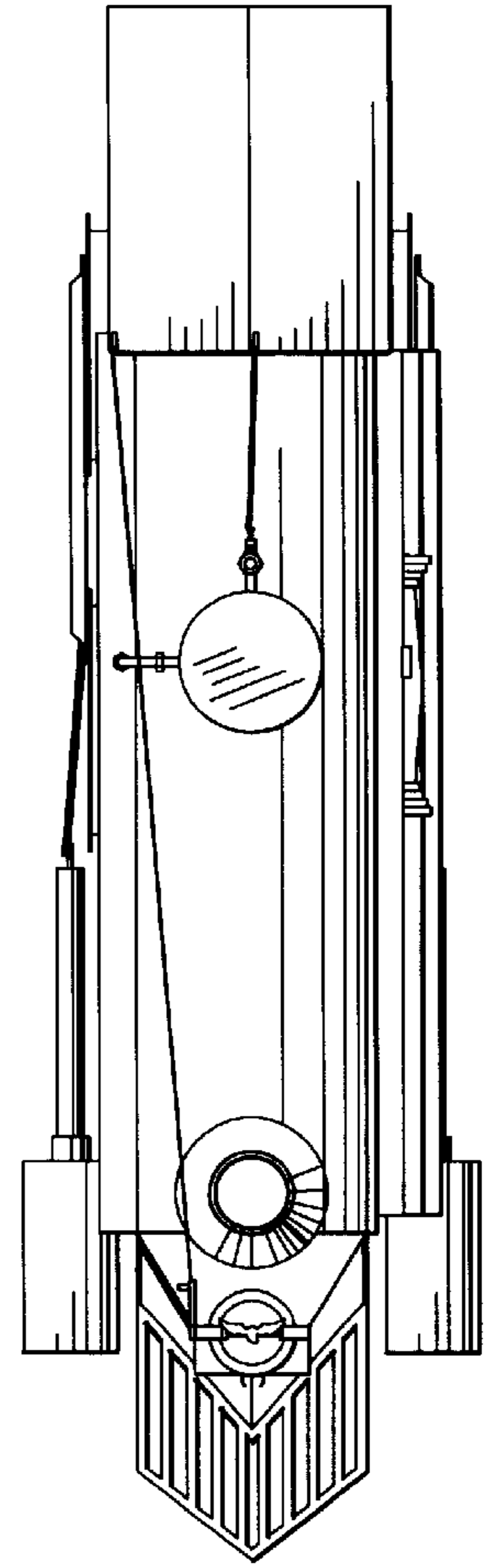


FIG 7

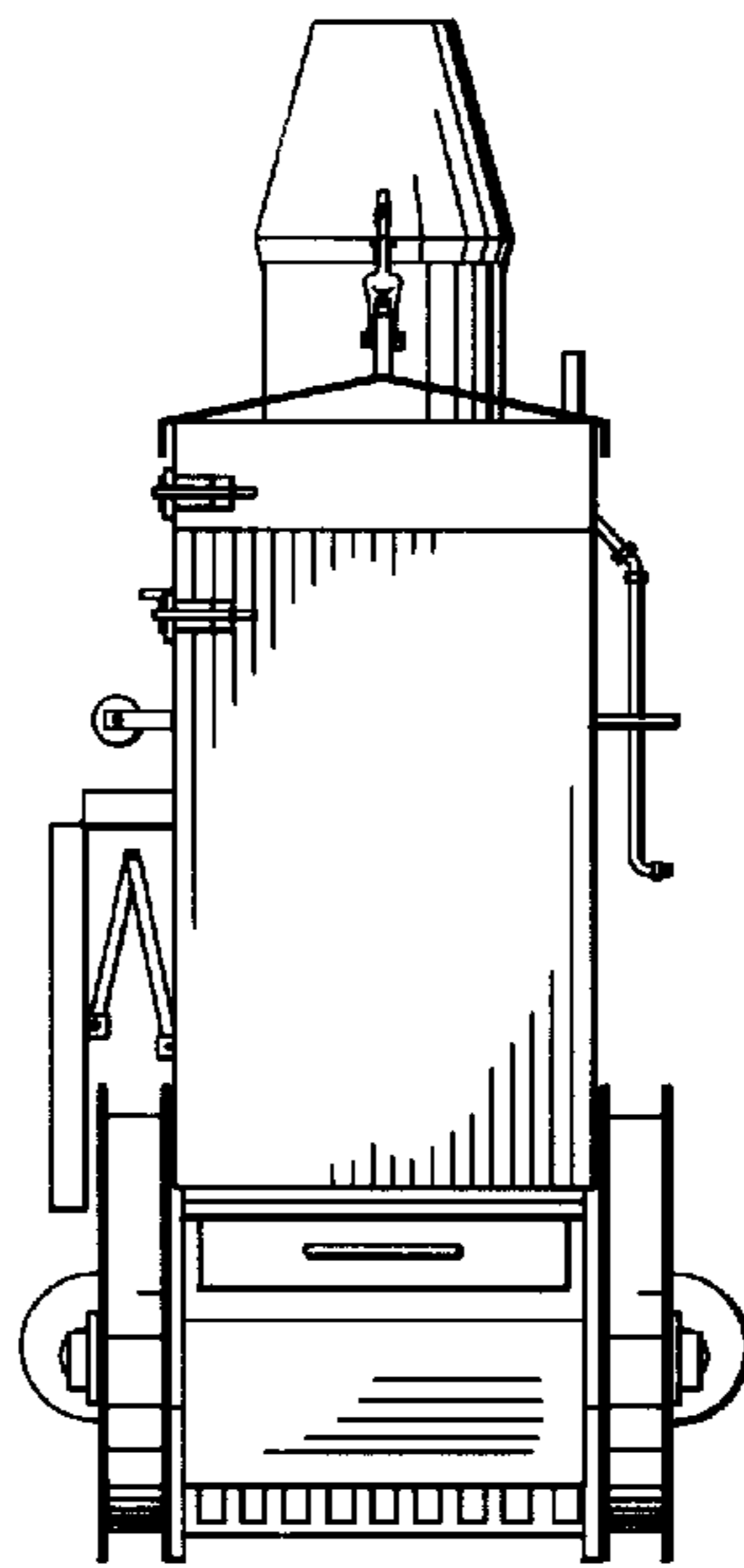


FIG 6

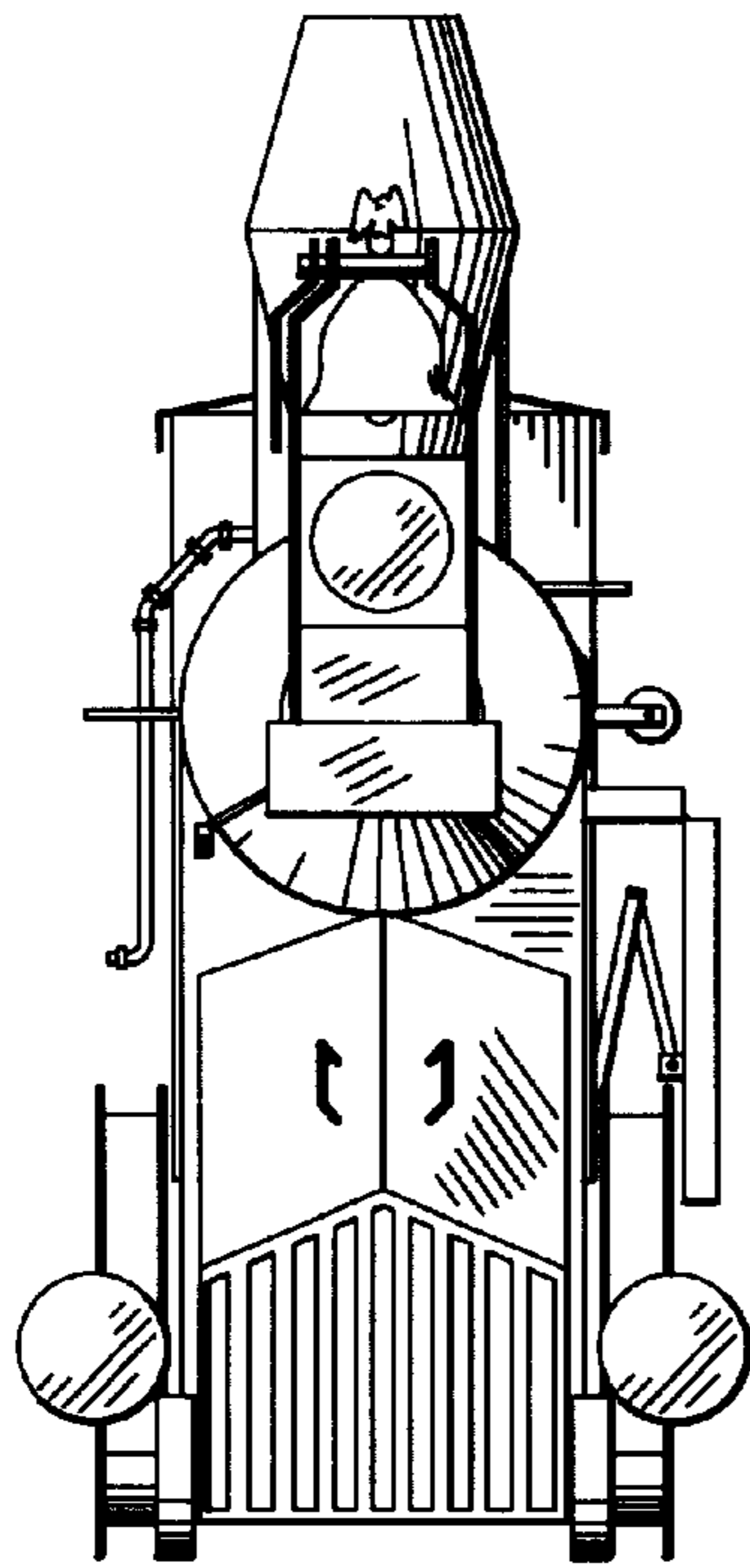


FIG 8

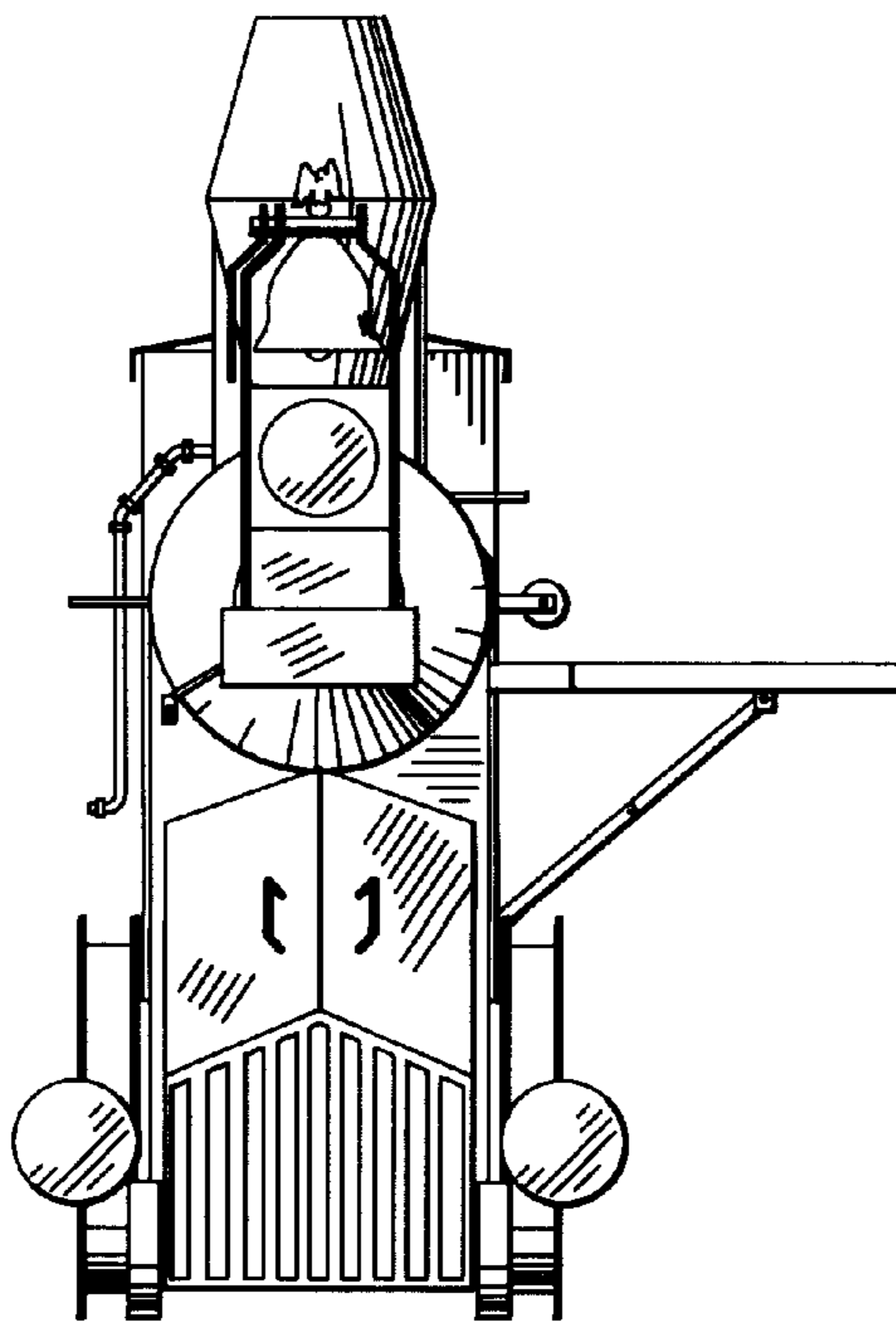


FIG 9