



US00D441247S

(12) **United States Design Patent**  
**Beam**

(10) **Patent No.:** **US D441,247 S**

(45) **Date of Patent:** **\*\* May 1, 2001**

(54) **COMBINED PITCHER AND STIRRING DEVICE**

(76) **Inventor:** **Ernest Burgess Beam**, 3 Ashbury Ct., Bolingbrook, IL (US) 60440

(\*\*) **Term:** **14 Years**

(21) **Appl. No.:** **29/127,786**

(22) **Filed:** **Aug. 11, 2000**

(51) **LOC (7) Cl.** ..... **07-01**

(52) **U.S. Cl.** ..... **D7/305; D7/319; D7/317**

(58) **Field of Search** ..... **D7/316, 317, 318, D7/319, 312, 300, 305, 598, 600, 688, 385; 99/295; 222/475.1, 472, 465.1, 144.5, 146.6; 220/504, 216; 215/12.1; 366/129**

(56) **References Cited**

**U.S. PATENT DOCUMENTS**

|            |   |         |               |       |        |
|------------|---|---------|---------------|-------|--------|
| D. 215,749 | * | 10/1969 | Adler         | ..... | D7/317 |
| D. 252,068 | * | 6/1979  | Lovely        | ..... | D7/668 |
| D. 293,871 | * | 1/1988  | Turner et al. | ..... | D7/318 |
| D. 296,973 | * | 8/1988  | Pozzi         | ..... | D7/317 |
| D. 303,904 | * | 10/1989 | Wolfenden     | ..... | D7/317 |
| D. 306,547 | * | 3/1990  | Wolfenden     | ..... | D7/317 |
| D. 313,529 | * | 1/1991  | Bormioli      | ..... | D7/317 |
| D. 325,146 | * | 4/1992  | Pedersen      | ..... | D7/310 |
| D. 343,333 | * | 1/1994  | Jorgensen     | ..... | D7/317 |
| D. 343,546 | * | 1/1994  | Zimmerman     | ..... | D7/319 |
| D. 367,201 | * | 2/1996  | Joergensen    | ..... | D7/305 |
| D. 384,237 |   | 9/1997  | Hess          | .     |        |
| D. 392,149 | * | 3/1998  | Smith         | ..... | D7/307 |
| D. 395,784 | * | 7/1998  | Michaeli      | ..... | D7/319 |

|            |   |         |                |       |         |
|------------|---|---------|----------------|-------|---------|
| D. 400,755 | * | 11/1998 | Ferlin, Jr.    | ..... | D7/319  |
| D. 406,003 | * | 2/1999  | Tanner et al.  | ..... | D7/319  |
| 1,174,828  |   | 3/1916  | Copeland       | .     |         |
| 2,726,071  |   | 12/1955 | Bernhardt      | .     |         |
| 3,844,450  | * | 10/1974 | Johnson        | ..... | 222/183 |
| 3,861,565  | * | 1/1975  | Rickmeier, Jr. | ..... | 222/131 |
| 4,010,934  |   | 3/1977  | McCord et al.  | .     |         |
| 4,893,940  |   | 1/1990  | Waisberg       | .     |         |
| 5,407,270  |   | 4/1995  | Barile et al.  | .     |         |
| 5,472,274  | * | 12/1995 | Baillie        | .     |         |

\* cited by examiner

*Primary Examiner*—M. N. Pandozzi

(57) **CLAIM**

The ornamental design for a combined pitcher and stirring device, as shown and described.

**DESCRIPTION**

FIG. 1 is a right side elevational view of the combined pitcher and stirring device of the present invention, the left view being a mirror image thereof;

FIG. 2 is a front elevational view of the combined pitcher and stirring device of FIG. 1;

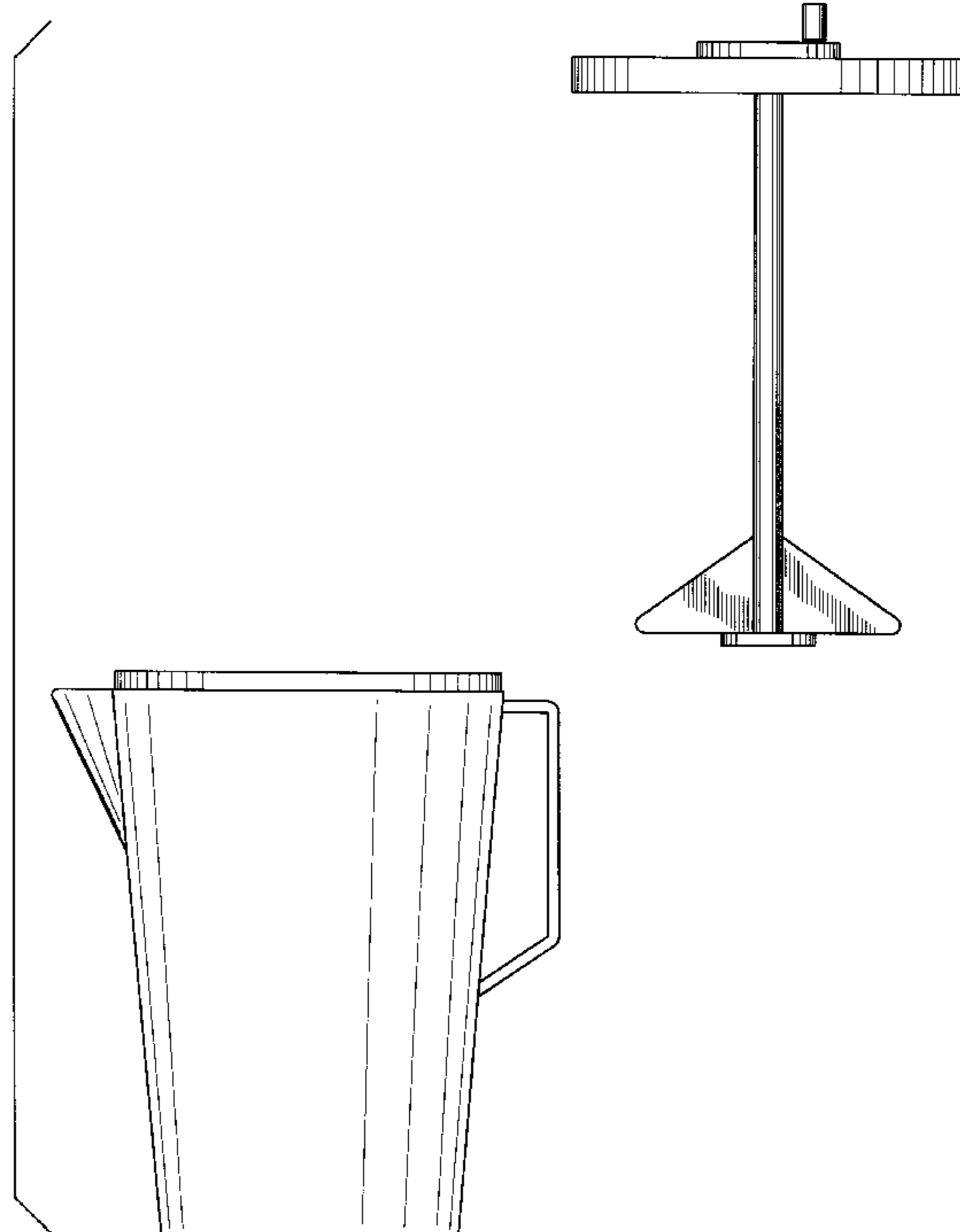
FIG. 3 is a rear elevational view of the combined pitcher and stirring device of FIG. 1;

FIG. 4 is a top plan view of the combined pitcher and stirring device of FIG. 1;

FIG. 5 is a bottom plan view of the combined pitcher and stirring device of FIG. 1; and,

FIG. 6 is an assembled right side elevational view of the combined pitcher and stirring device of FIG. 1.

**1 Claim, 4 Drawing Sheets**



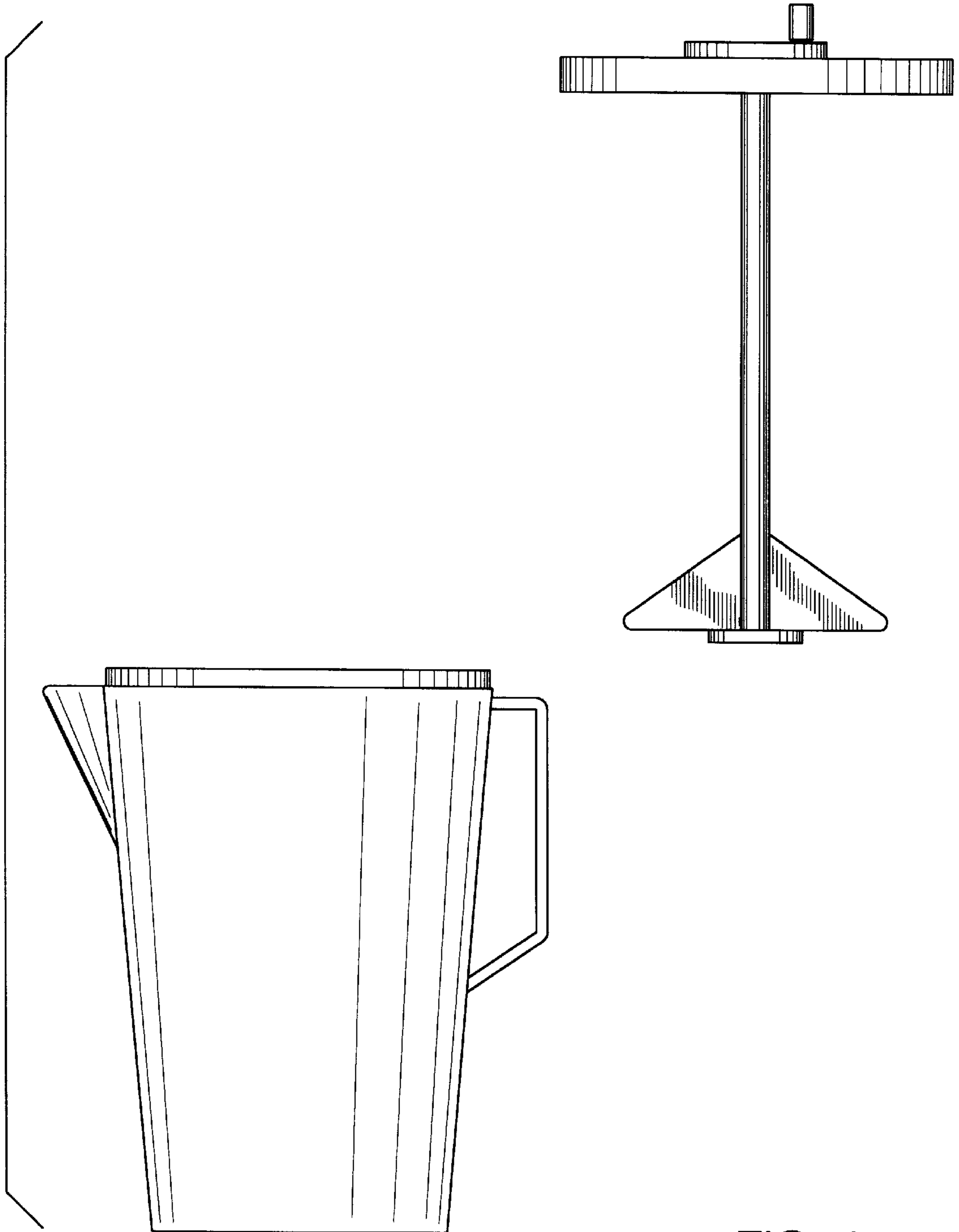


FIG. 1

FIG. 2

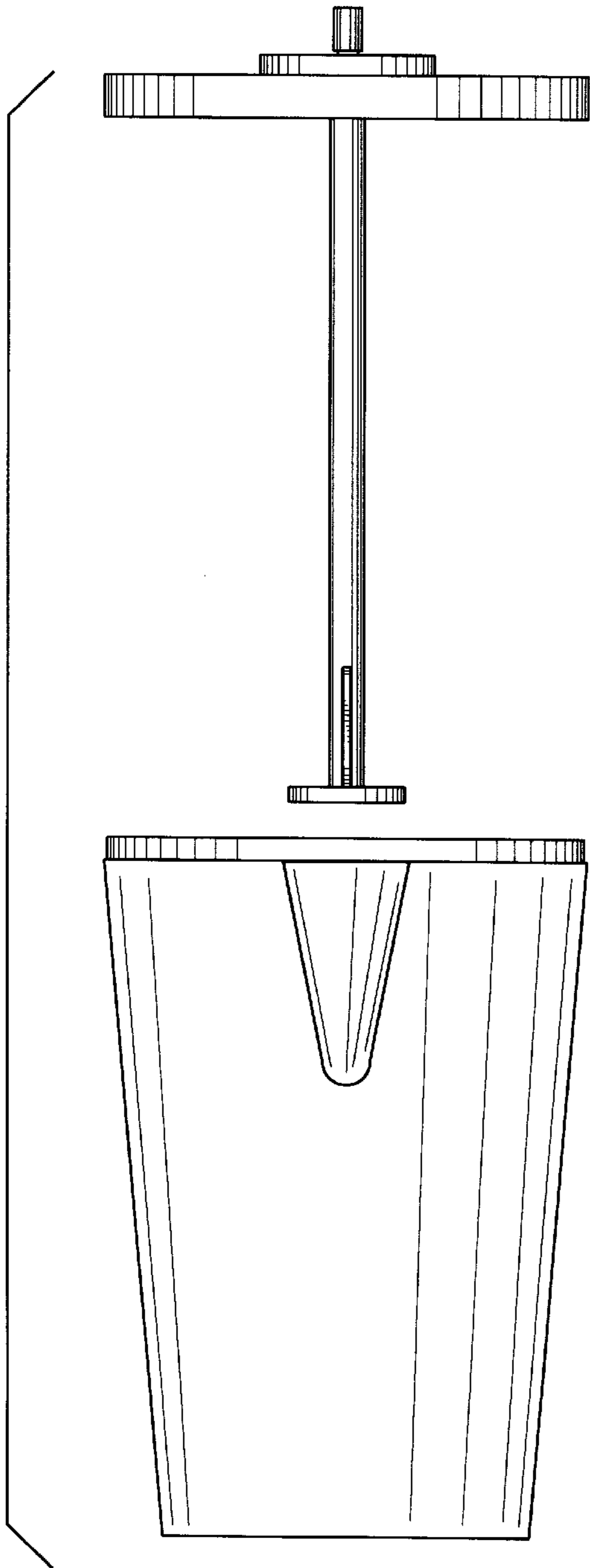


FIG. 3

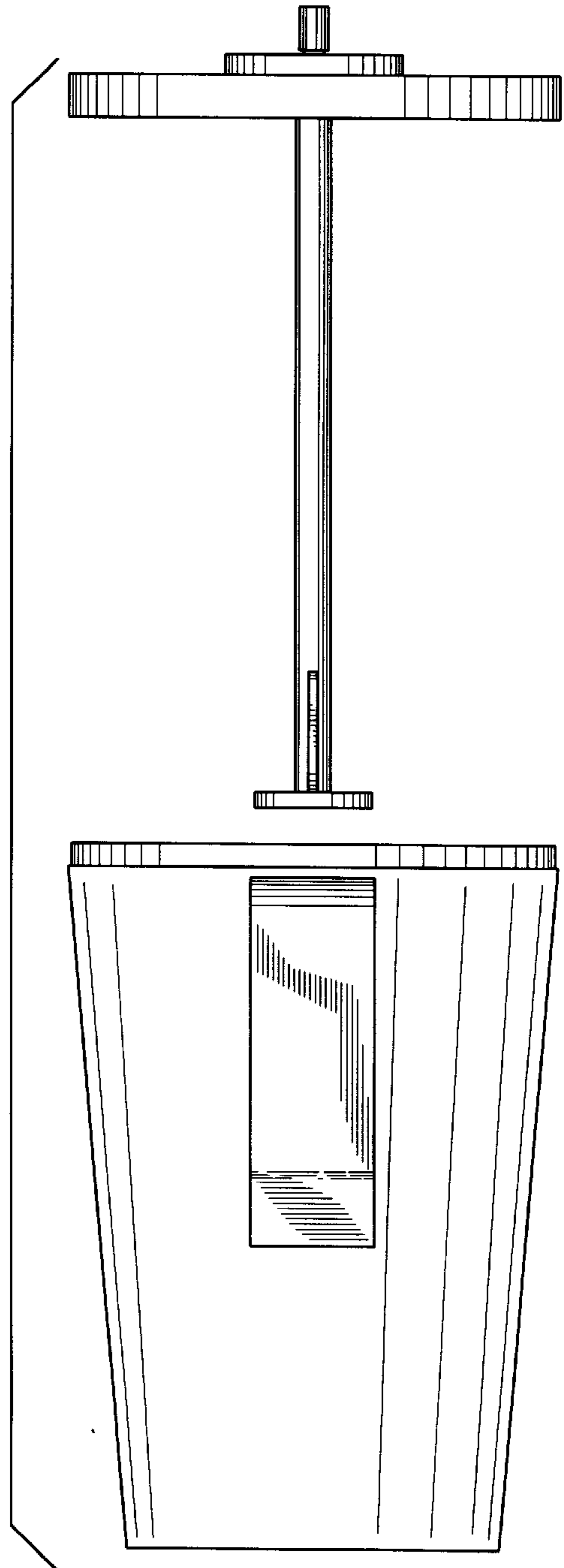


FIG. 4

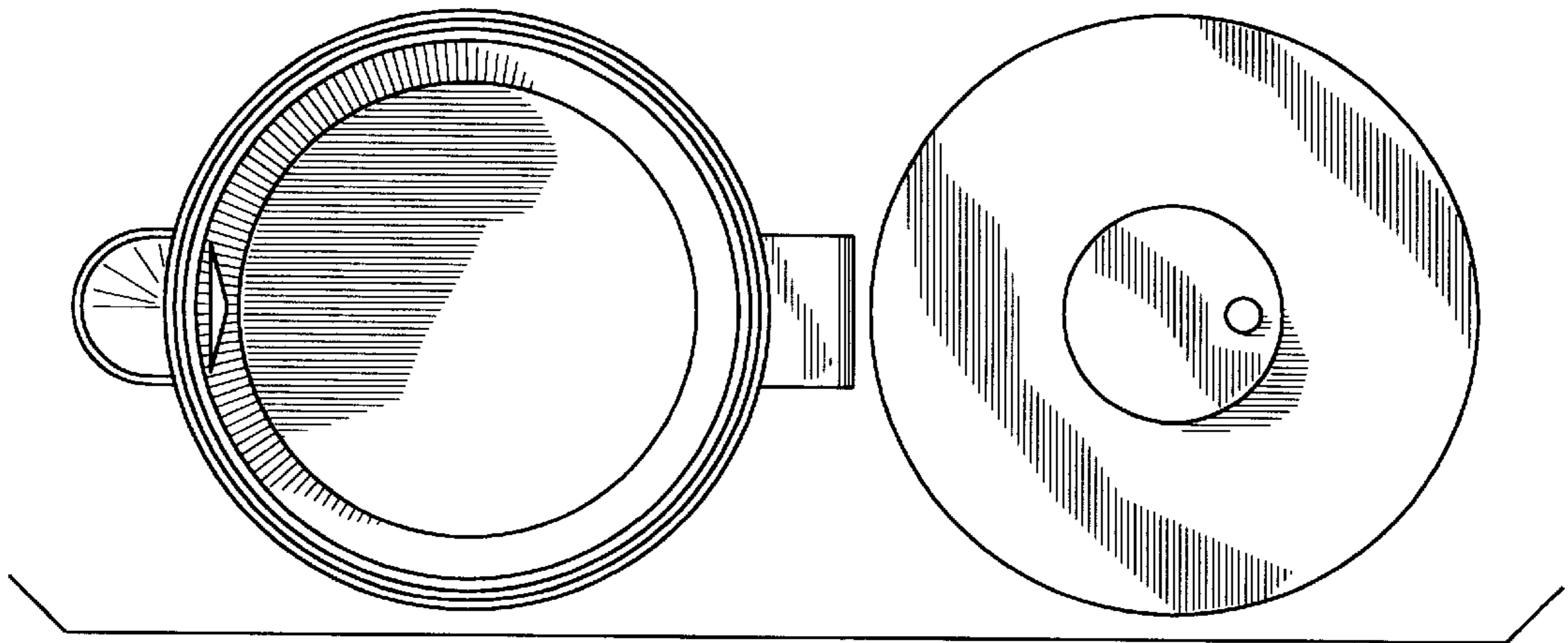


FIG. 5

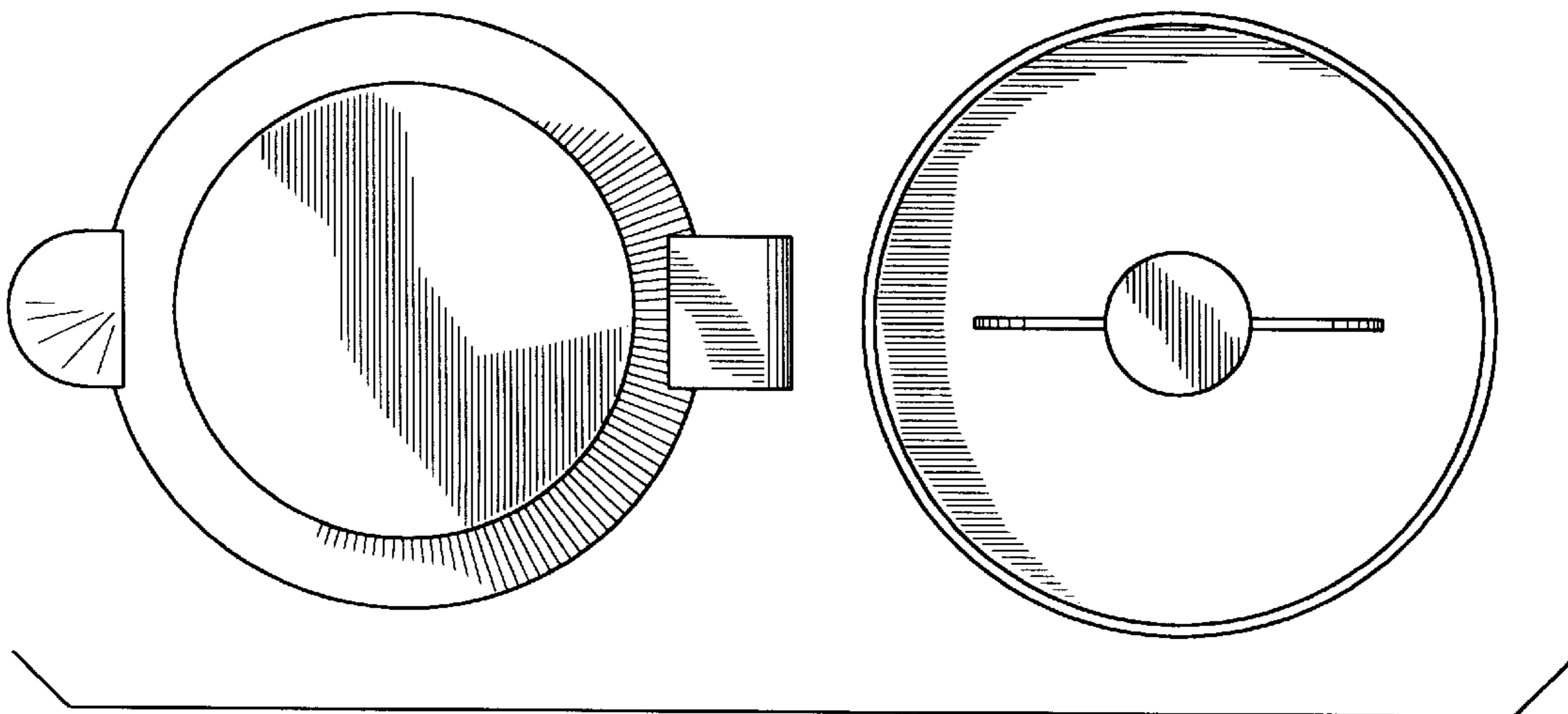


FIG. 6

