



US00D441246S

(12) **United States Design Patent**
Chow et al.

(10) **Patent No.:** **US D441,246 S**

(45) **Date of Patent:** **** May 1, 2001**

(54) **STORAGE RACK**

(75) Inventors: **Tat Chi Chow**, Kowloon; **Sze Man Mok**, Midlevels; **Jason Bennett**, Central, all of (HK)

(73) Assignee: **Sunhing Millennium Limited**, Kowloon (HK)

(**) Term: **14 Years**

(21) Appl. No.: **29/124,129**

(22) Filed: **May 31, 2000**

(51) **LOC (7) Cl.** **06-04**

(52) **U.S. Cl.** **D6/630; D6/468**

(58) **Field of Search** D6/407, 626-630, D6/462-468, 450, 457, 473-476, 556-567, 570-572, 553; D32/55, 58; 211/40, 41.1, 41.2, 41.3, 41.4, 42, 41.12, 44, 41.18, 48, 181.1

(56) **References Cited**

U.S. PATENT DOCUMENTS

D. 321,771	*	11/1991	Cavicchia	D32/55
D. 351,512	*	10/1994	Thielen	D6/407
D. 356,700	*	3/1995	Lee	D6/407
D. 365,243	*	12/1995	Kwa	D6/629
D. 391,113	*	2/1998	Marhefka	D6/629
D. 395,189	*	6/1998	Chow	D6/630
D. 404,960	*	2/1999	Cheris et al.	D6/630

D. 413,478	*	9/1999	Yeh	D6/629
D. 420,227	*	2/2000	Stravitz	D6/407
D. 427,475	*	7/2000	Hwang	D6/630
D. 427,837	*	7/2000	Nemeth	D6/630
D. 434,937	*	12/2000	Cheris et al.	D6/630
3,877,134	*	4/1975	Shanahan	29/417
4,153,164	*	5/1979	Hofmeister et al.	211/41.18
4,228,902	*	10/1980	Schulte	211/41.18
5,314,077	*	5/1994	Theosabrata	211/40
5,370,242	*	12/1994	Huang	211/40
5,791,748	*	8/1998	Marhefka	312/9.48
6,145,673	*	11/2000	Burrows et al.	211/41.18

* cited by examiner

Primary Examiner—Jeffrey Asch

(74) *Attorney, Agent, or Firm*—Eric Bleich

(57) **CLAIM**

We claim the ornamental design for the storage rack, as shown and described.

DESCRIPTION

FIG. 1 is a rear plan view of the new ornamental storage rack of the present invention.

FIG. 2 is a front plan view thereof.

FIG. 3 is a top plan view thereof.

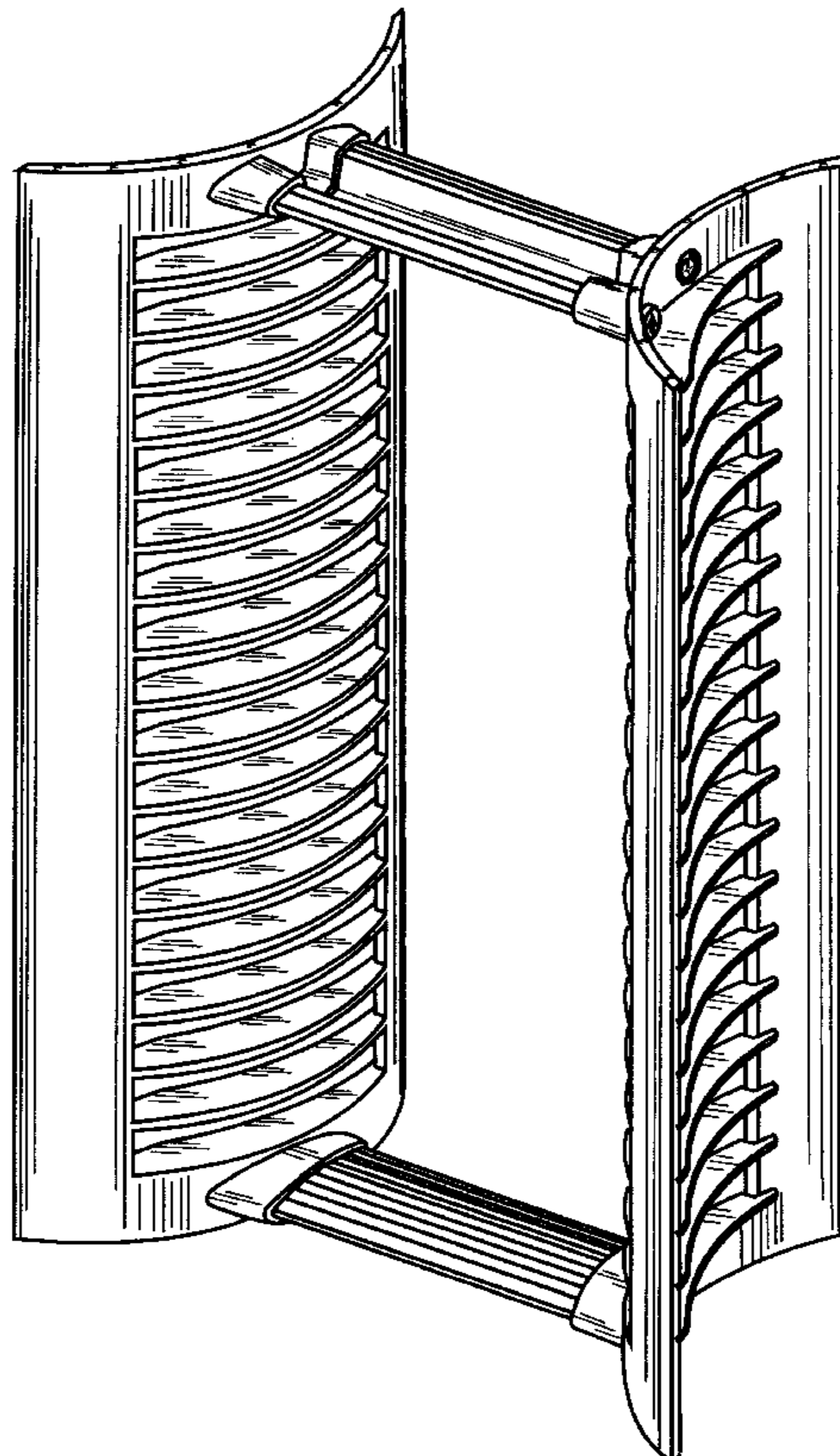
FIG. 4 is a bottom plan view thereof.

FIG. 5 is a right side view thereof.

FIG. 6 is a left side view thereof; and,

FIG. 7 is a top perspective view thereof.

1 Claim, 6 Drawing Sheets



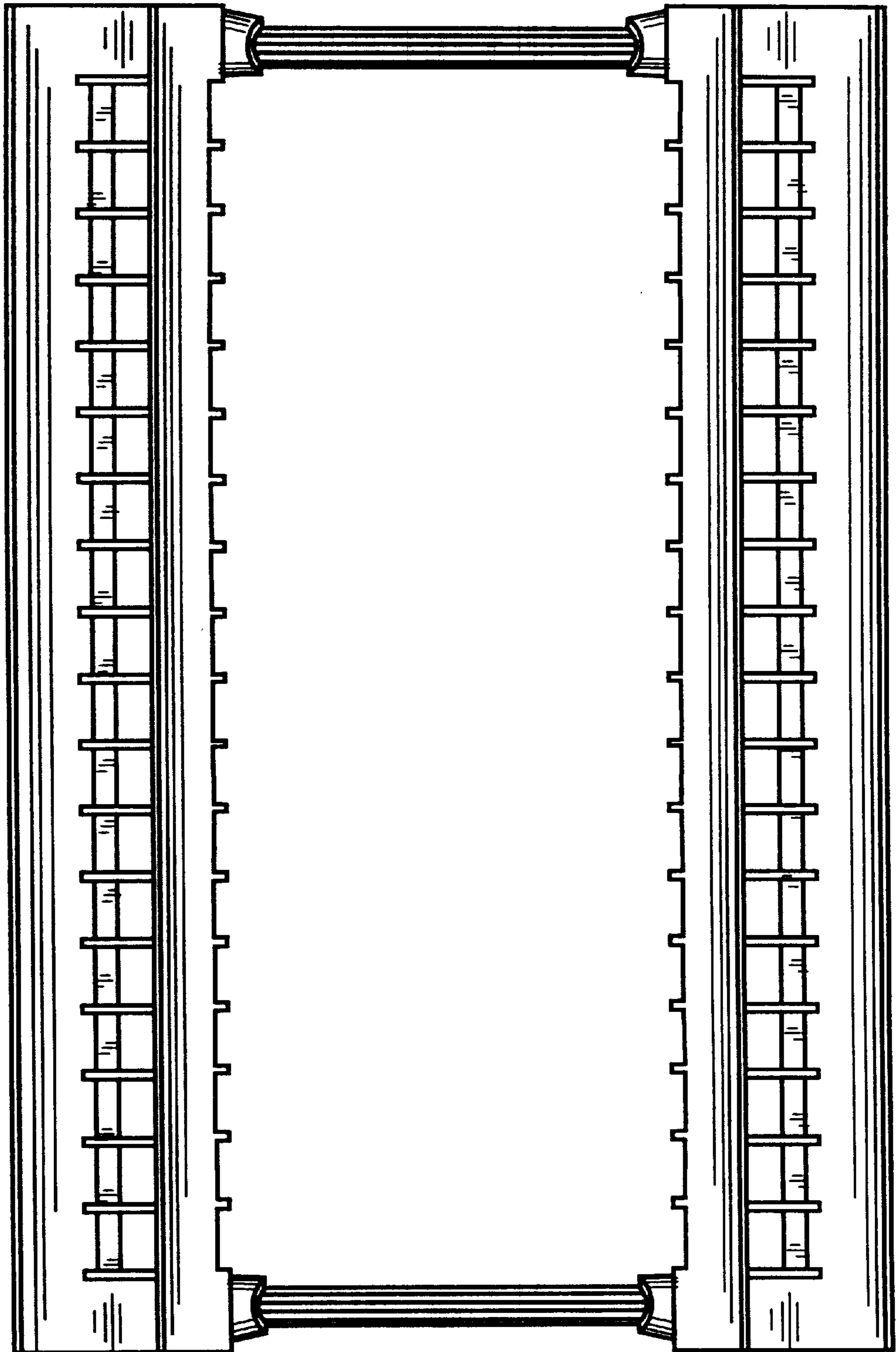


FIGURE 1

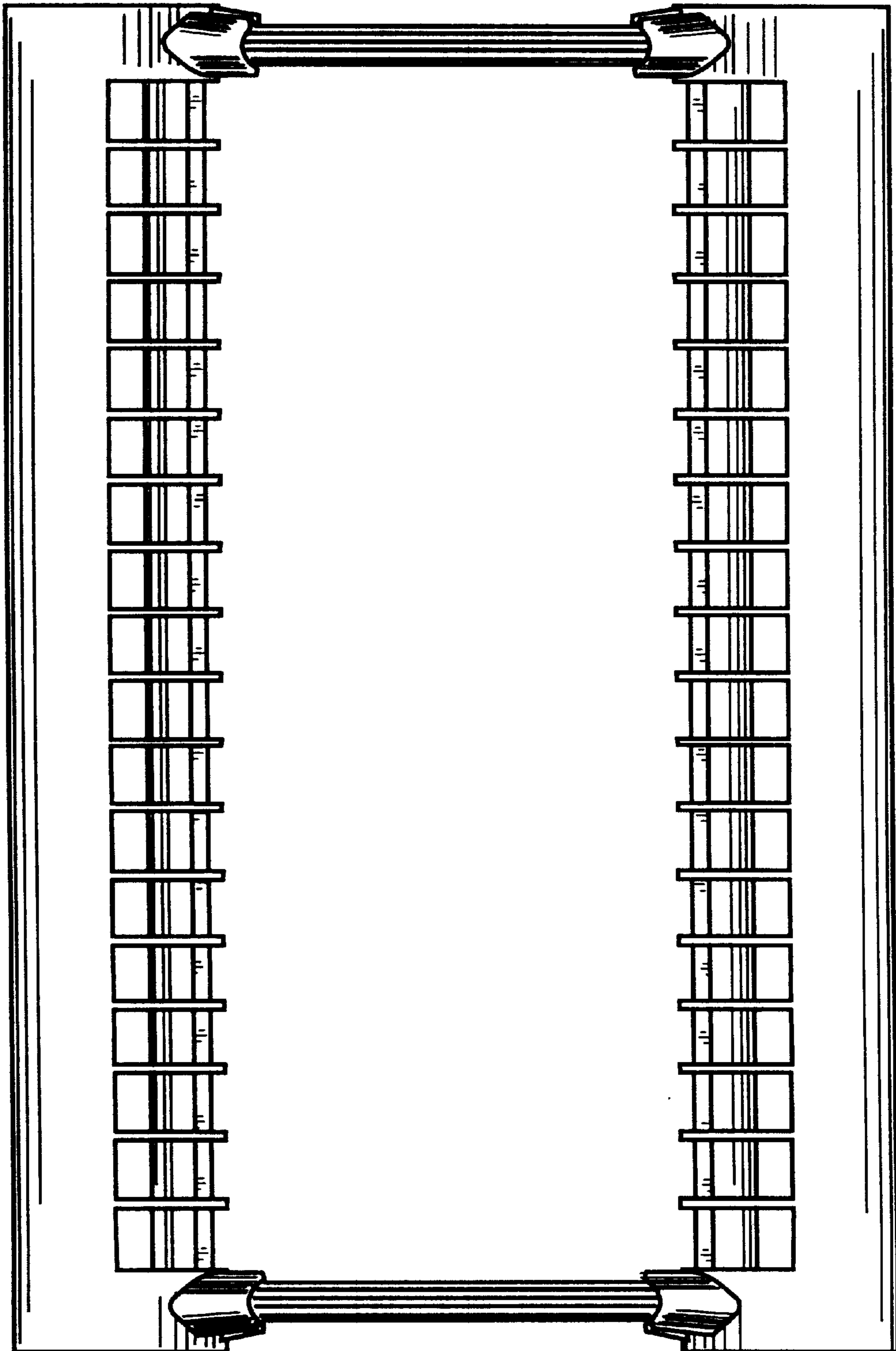


FIGURE 2

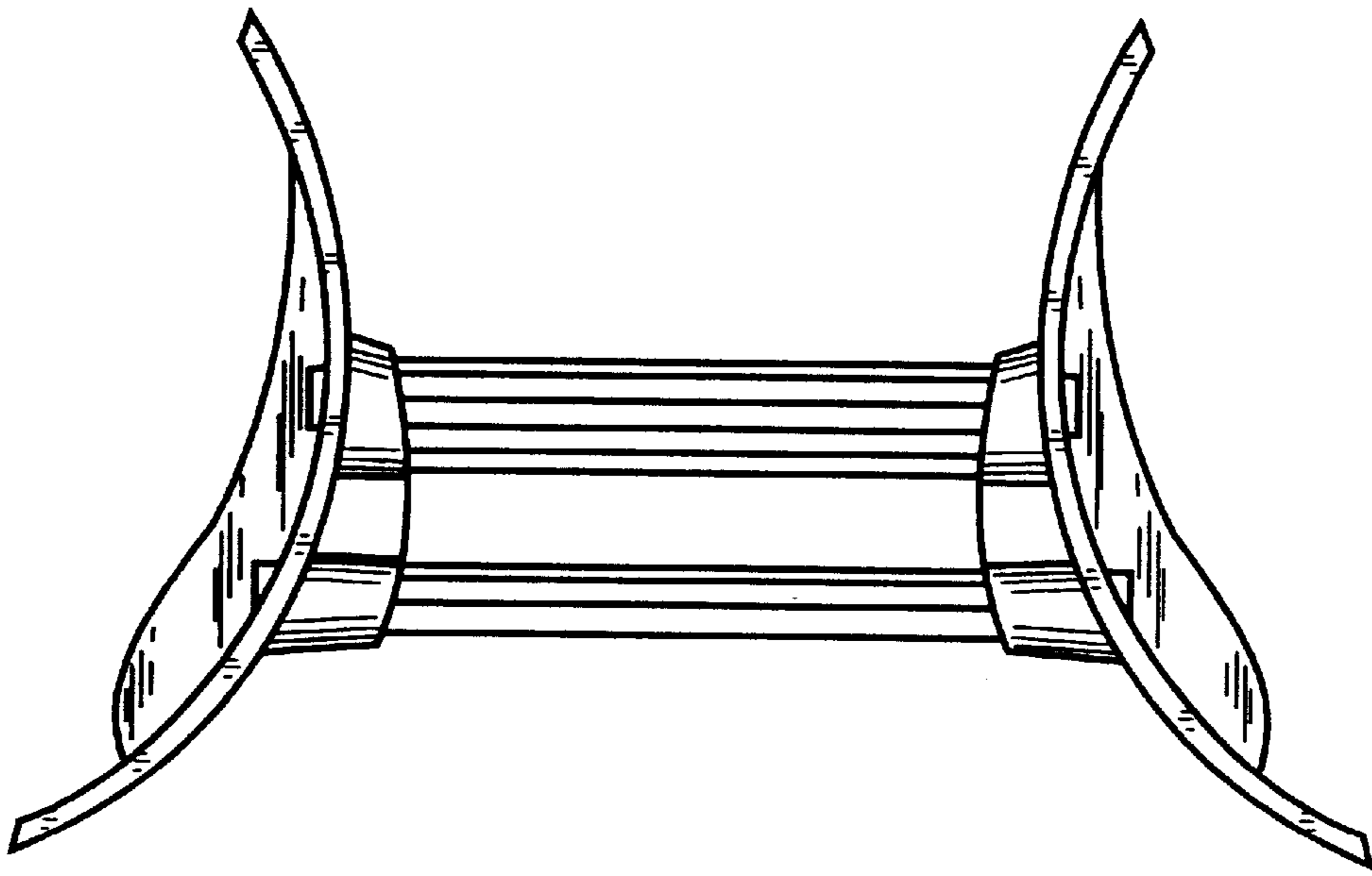


FIGURE 3

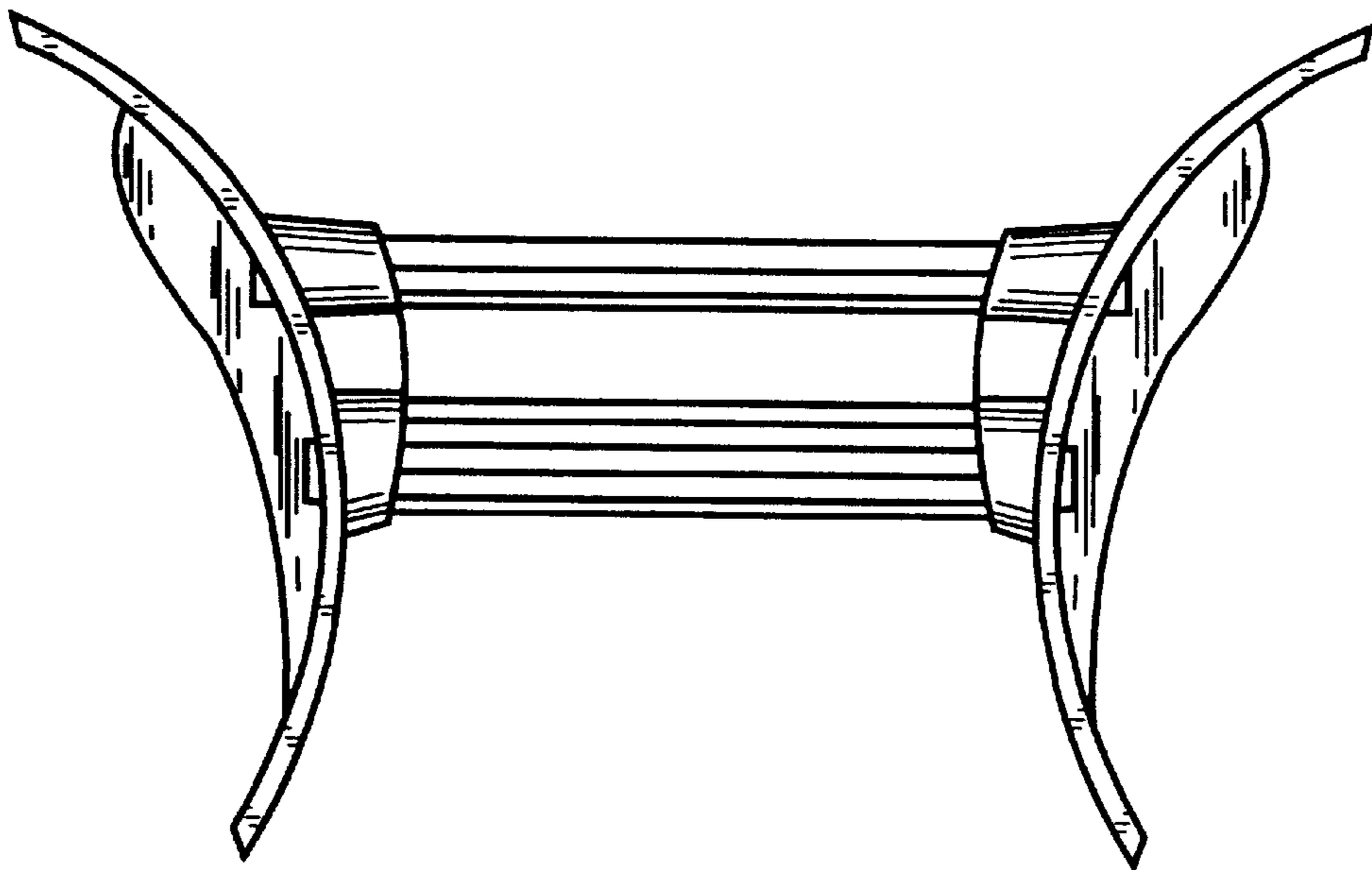


FIGURE 4

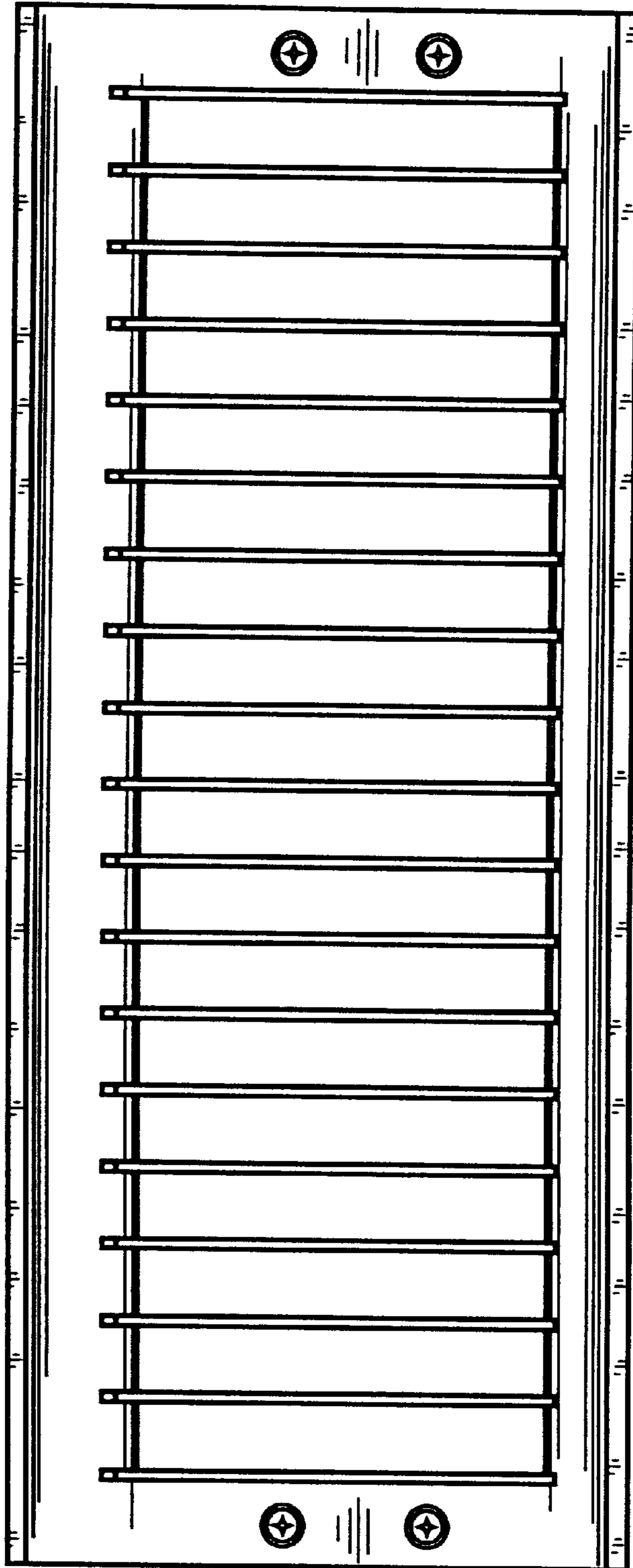


FIGURE 5

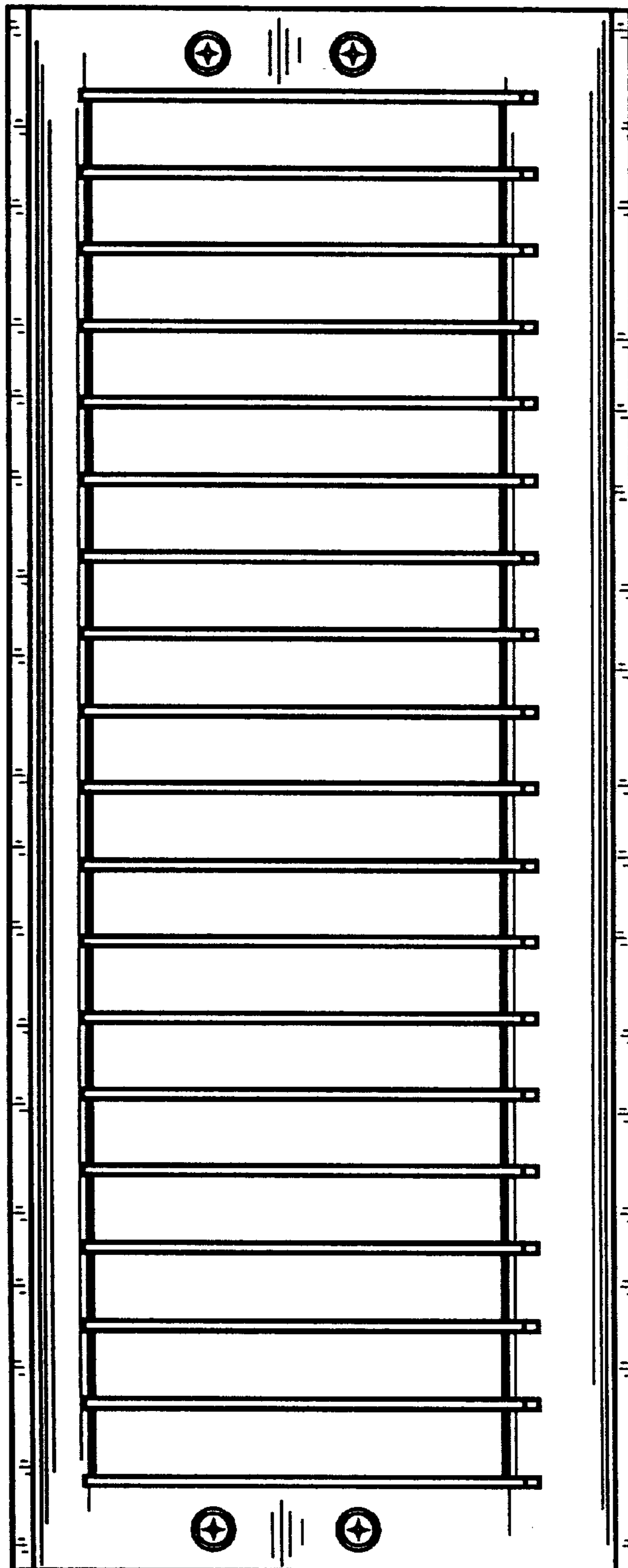


FIGURE 6

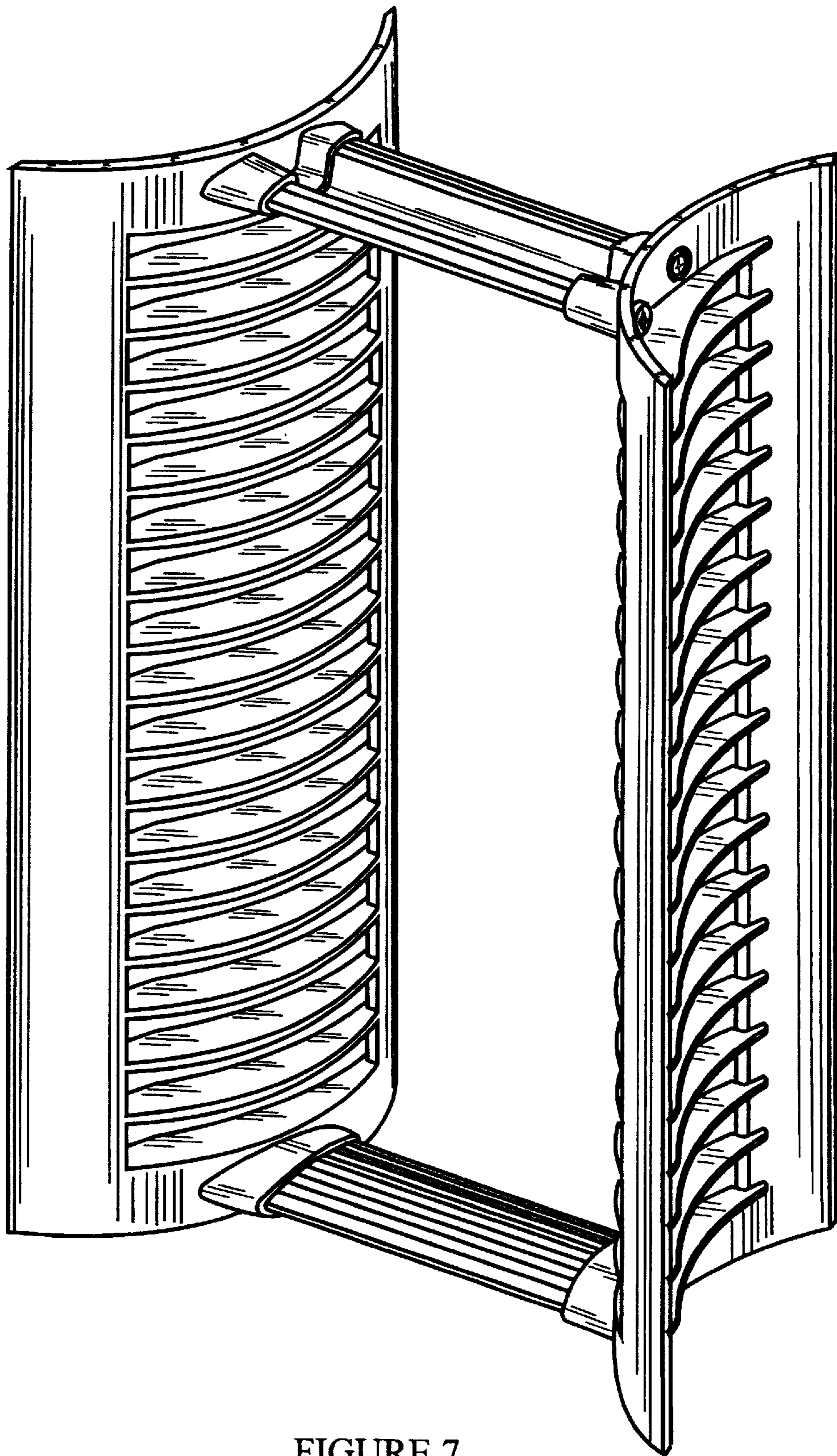


FIGURE 7