



US00D441242S

(12) **United States Design Patent**
Walters-Dowding et al.

(10) **Patent No.: US D441,242 S**

(45) **Date of Patent: ** May 1, 2001**

(54) **WALL RACK**

(75) Inventors: **Andrea Walters-Dowding**, Dresden;
Lynn Lippert, Newark, both of OH
(US); **Russell Gilbert; Durward**
Staten, both of Mountain View, AR
(US)

(73) Assignee: **The Longaberger Company**, Newark,
OH (US)

(**) Term: **14 Years**

(21) Appl. No.: **29/122,616**

(22) Filed: **May 1, 2000**

Related U.S. Application Data

(63) Continuation-in-part of application No. 29/084,102, filed on
Feb. 24, 1998, now Pat. No. Des. 423,820, which is a
continuation-in-part of application No. 29/075,904, filed on
Jul. 28, 1997, now Pat. No. Des. 397,898, which is a
continuation-in-part of application No. 29/069,526, filed on
Apr. 24, 1997, now Pat. No. Des. 397,563, which is a
continuation-in-part of application No. 29/068,271, filed on
Mar. 24, 1997, now Pat. No. Des. 415,366.

(51) **LOC (7) Cl.** **06-04**

(52) **U.S. Cl.** **D6/566**

(58) **Field of Search** D6/566, 571, 569,
D6/570; 211/13.1, 86.01, 88.01, 41.4, 106,
126.1, 126.9, 134, 181.1

(56) **References Cited**

U.S. PATENT DOCUMENTS

D. 104,385 * 5/1937 Wall D6/566
D. 131,344 * 2/1942 Daum D6/566
5,845,793 * 12/1998 Pan 211/181.1

* cited by examiner

Primary Examiner—Brian N. Vinson

(74) *Attorney, Agent, or Firm*—Porter, Wright, Morris &
Arthur

(57) **CLAIM**

The ornamental design for wall rack, as shown and
described.

DESCRIPTION

FIG. 1 is a perspective view of the wall rack showing our
new design;

FIG. 2 is a front view thereof;

FIG. 3 is a right side view, the left side being a mirror image
thereof;

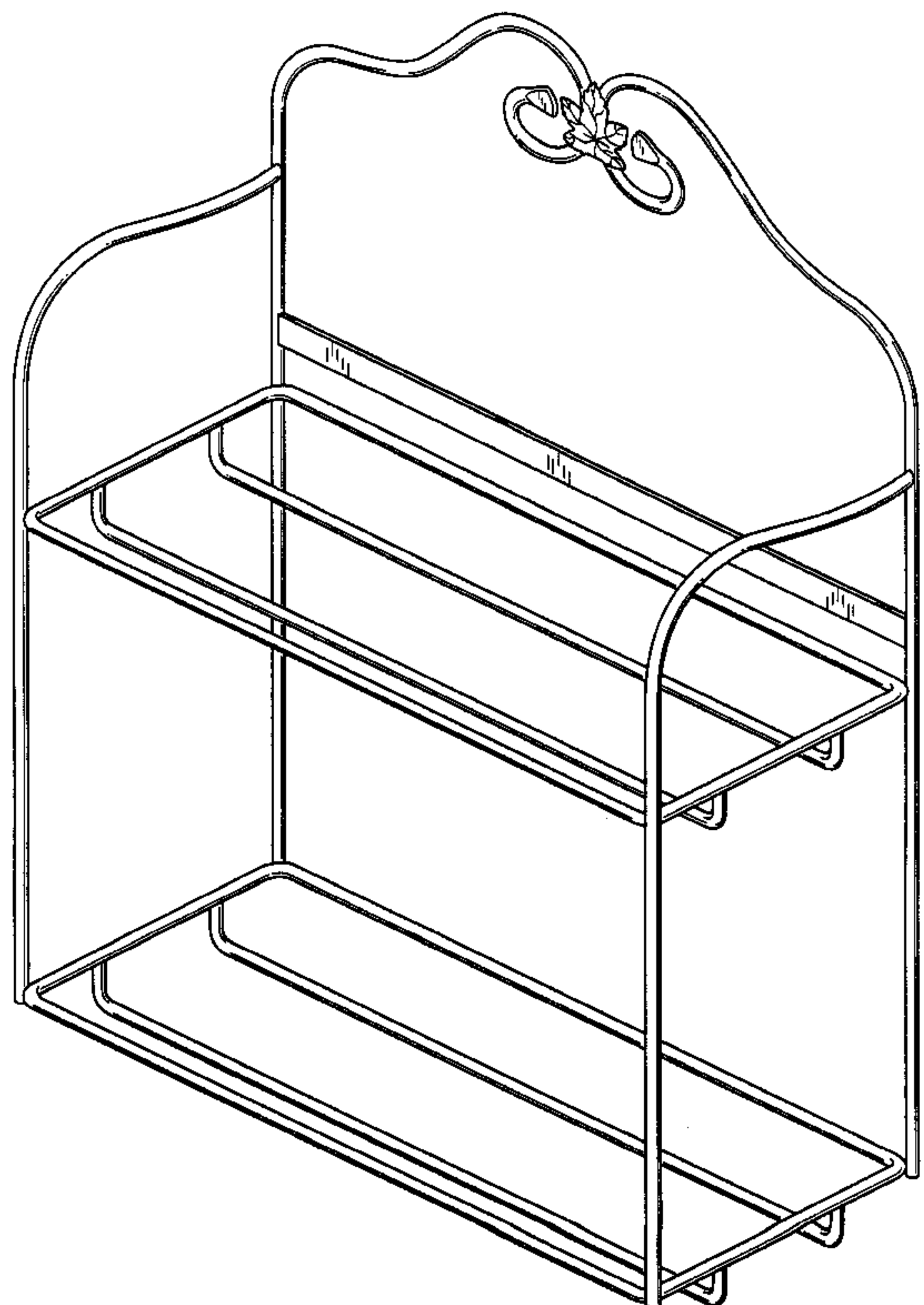
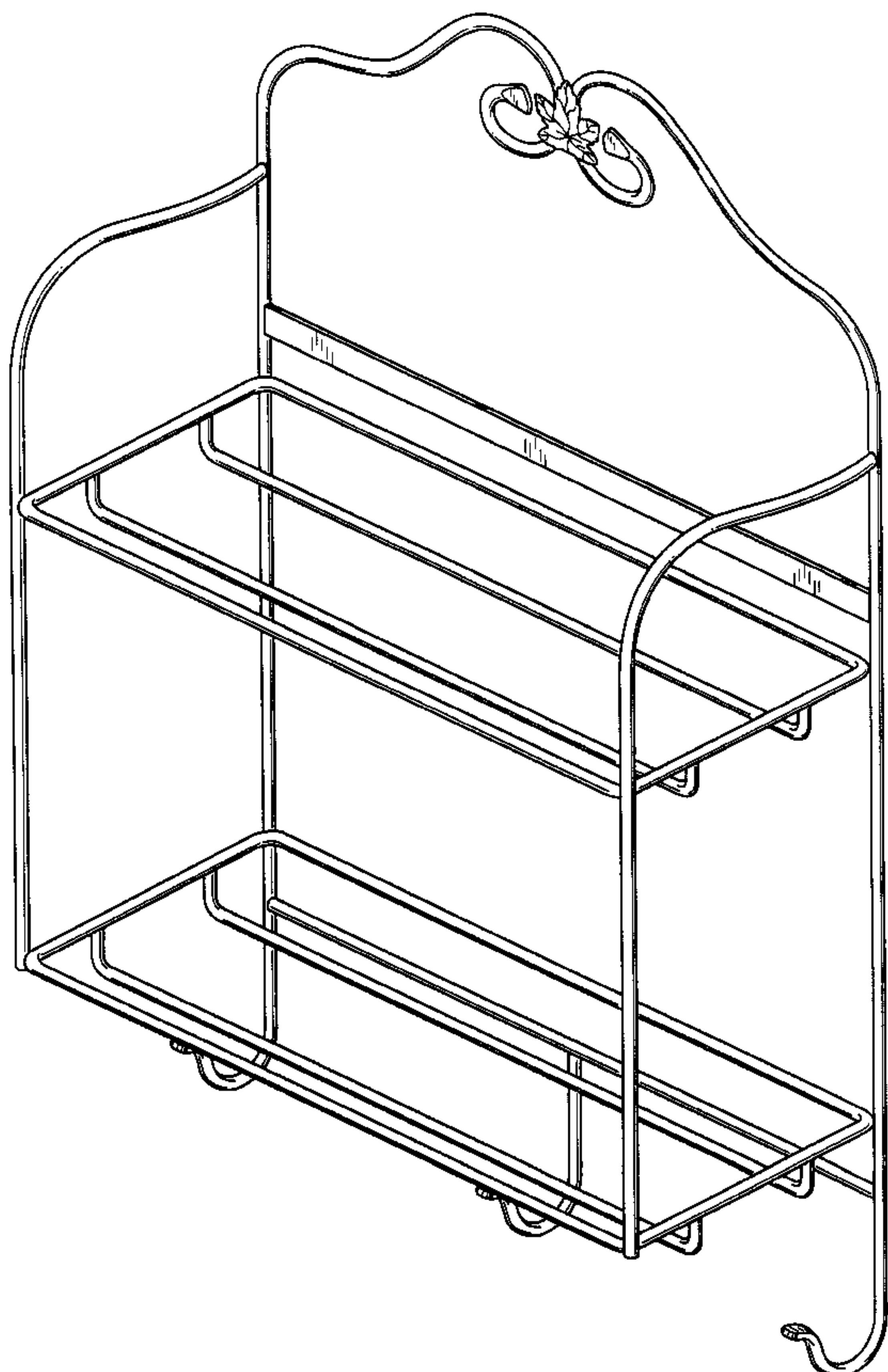
FIG. 4 is a rear view thereof;

FIG. 5 is a top view thereof;

FIG. 6 is a bottom view thereof; and,

FIG. 7 is a perspective view of another embodiment of the
wall rack identical to the first embodiment of the wall rack
except for the absence of the three hooks extending from the
bottom of the rack.

1 Claim, 6 Drawing Sheets



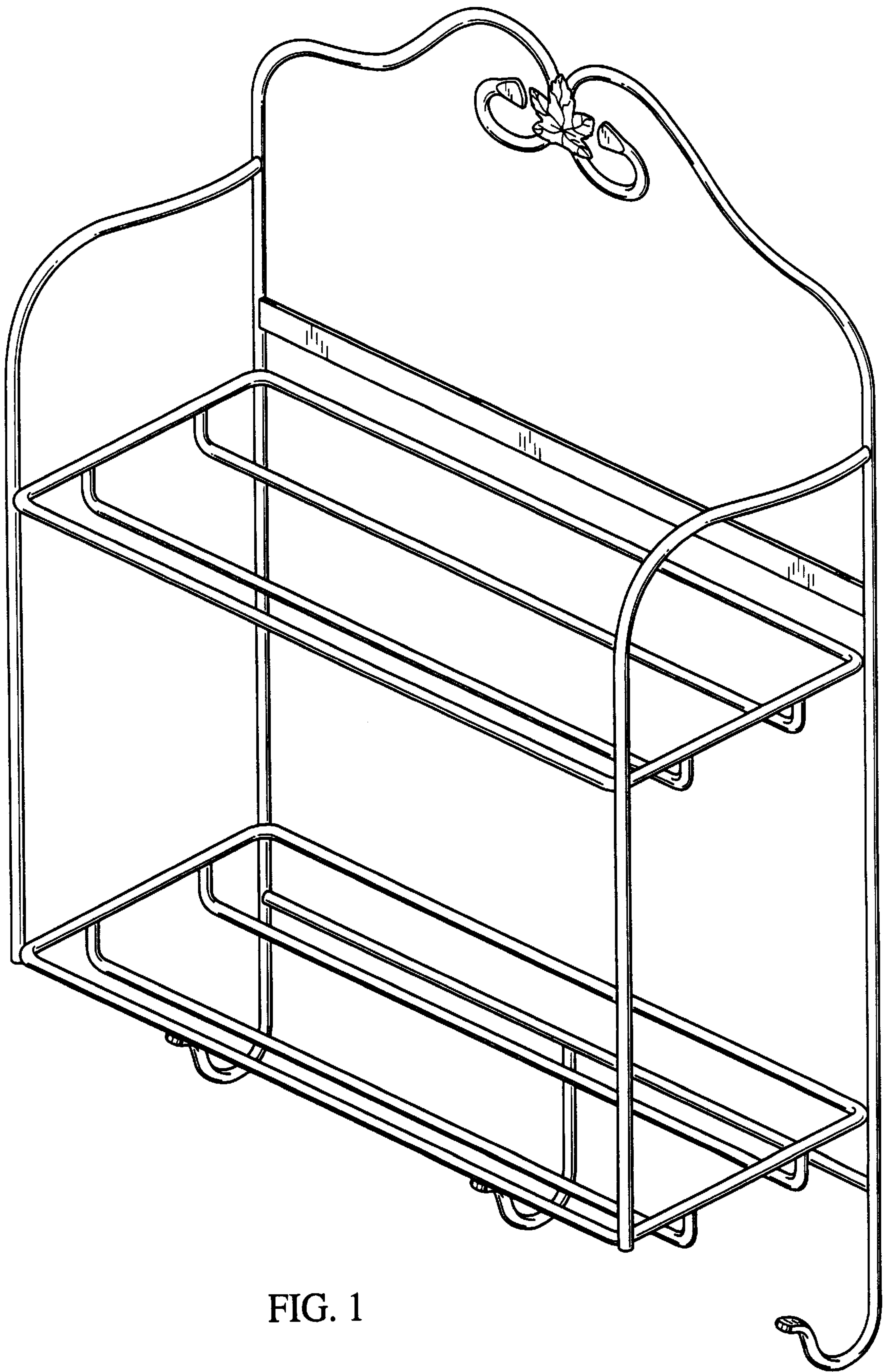


FIG. 1

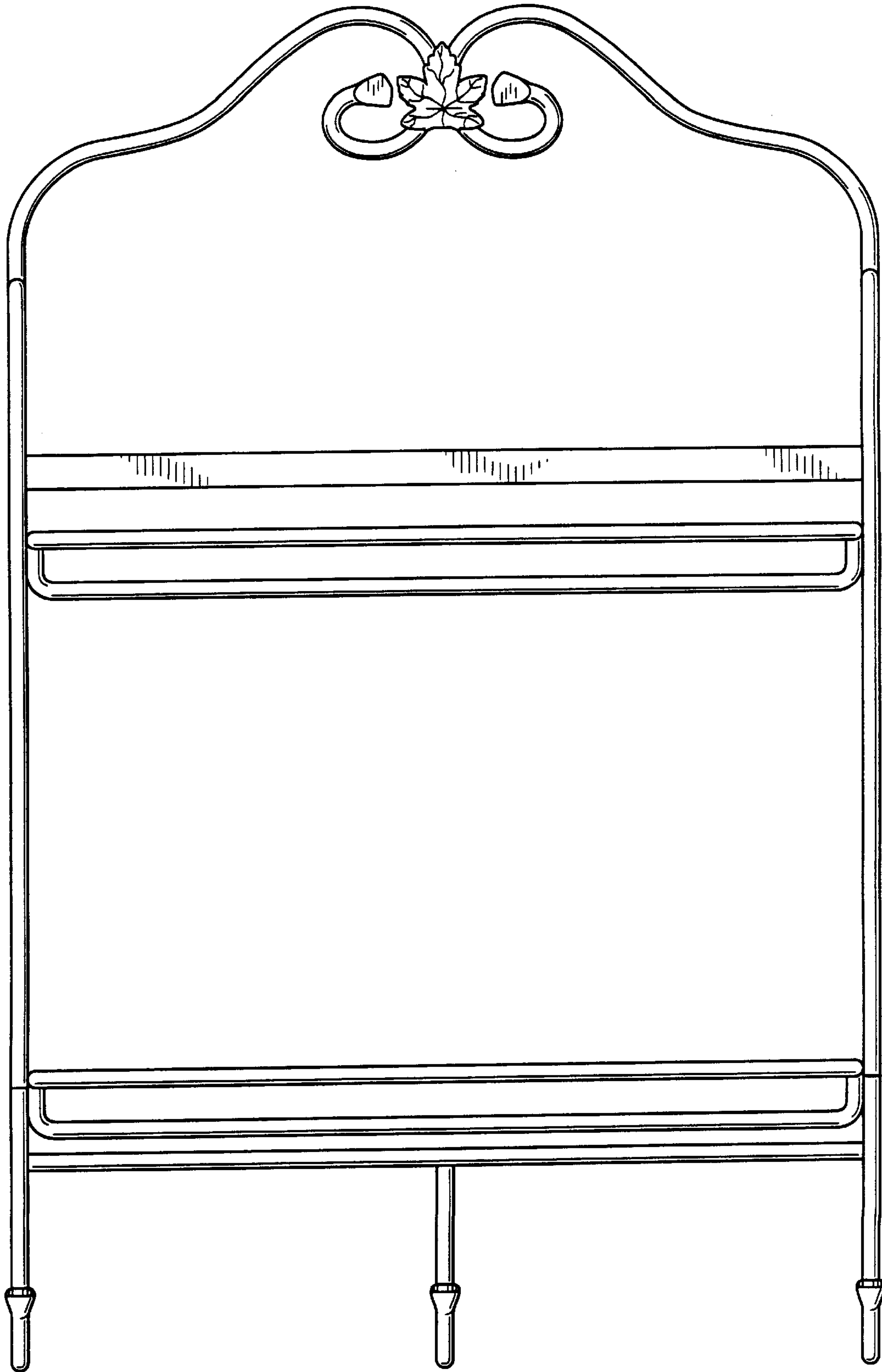


FIG. 2

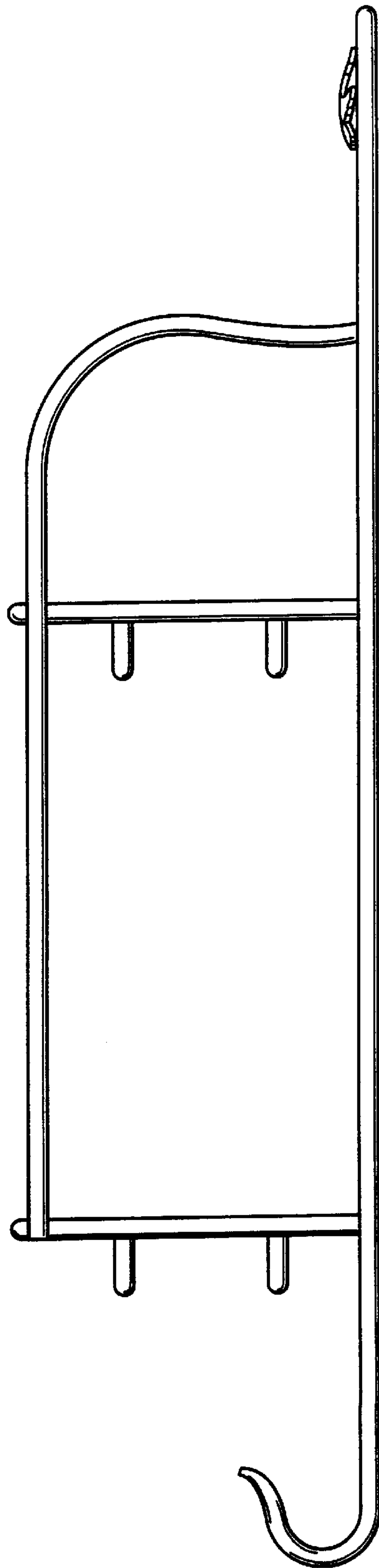


FIG. 3

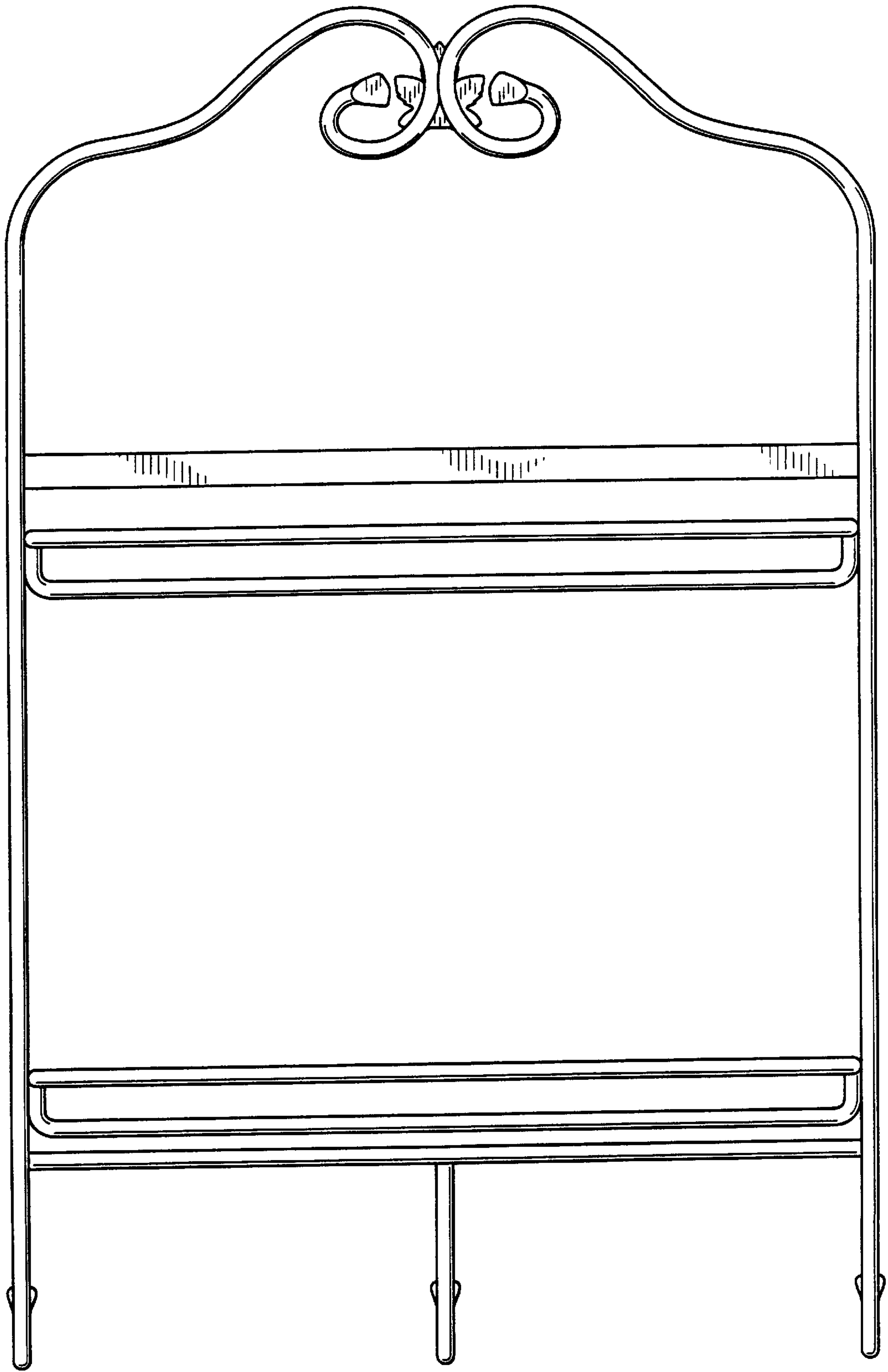


FIG. 4

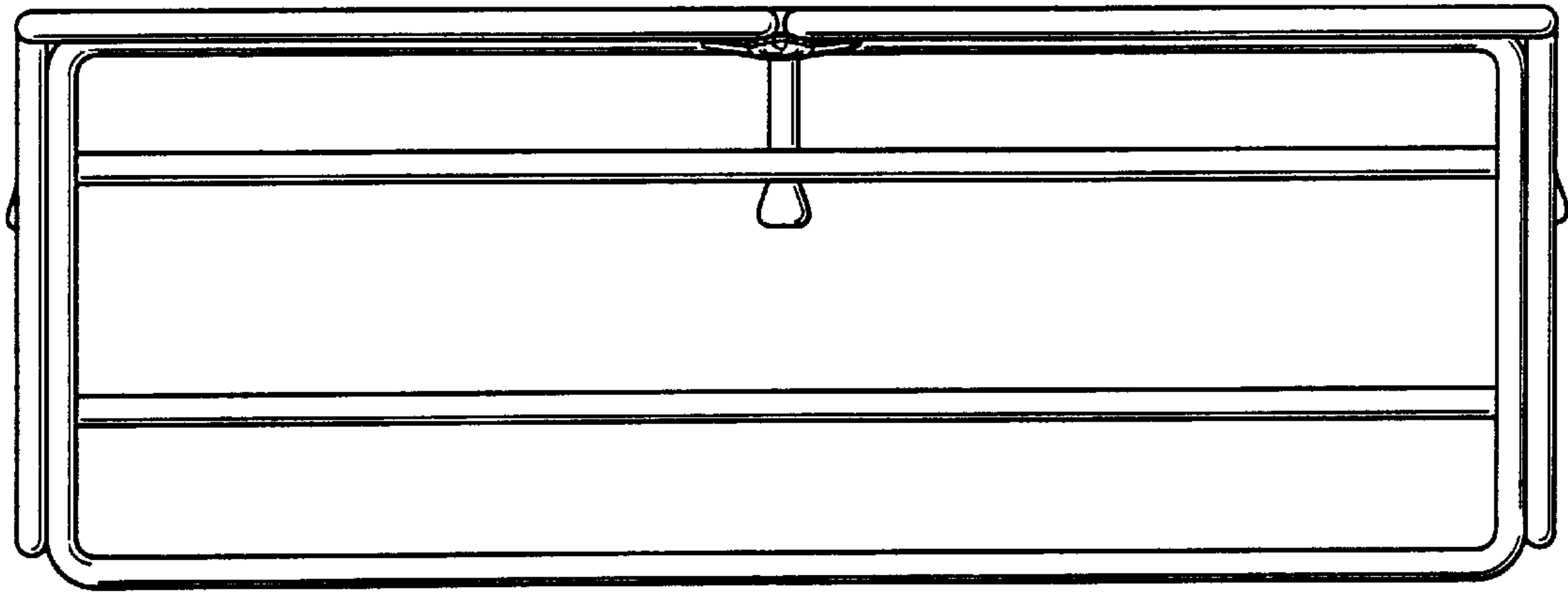


FIG. 5

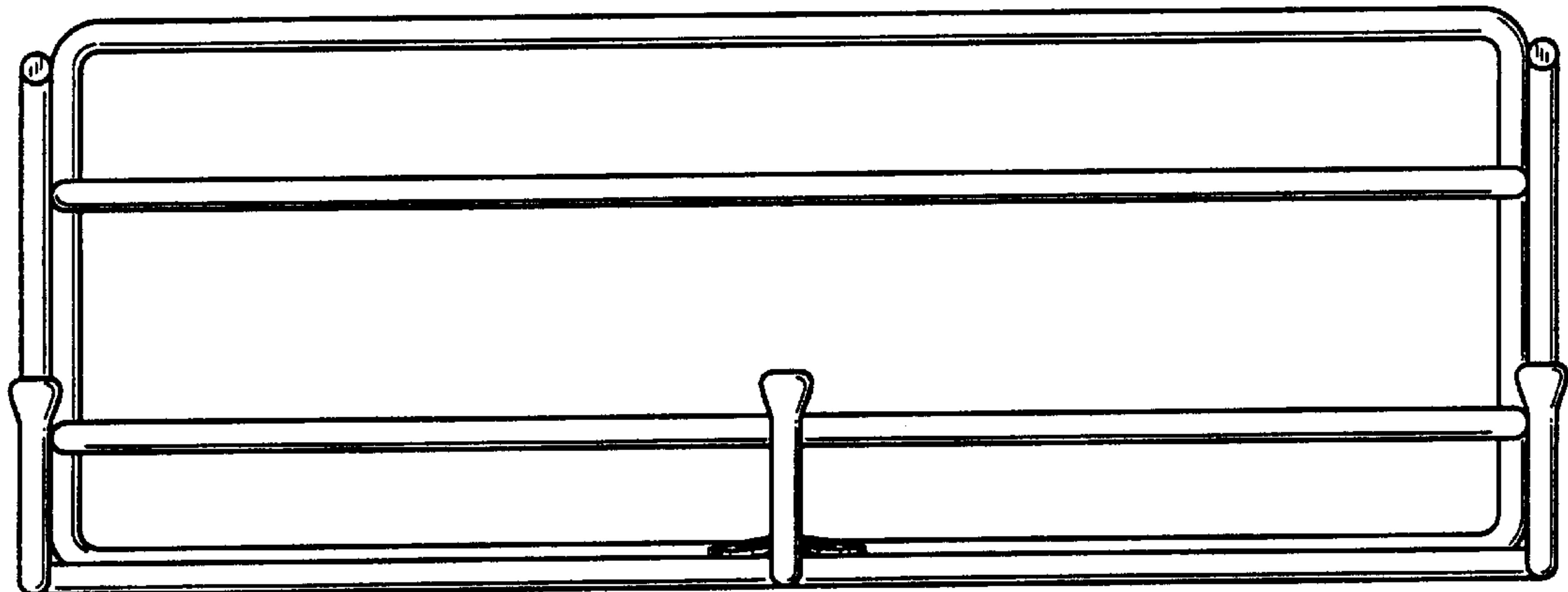


FIG. 6

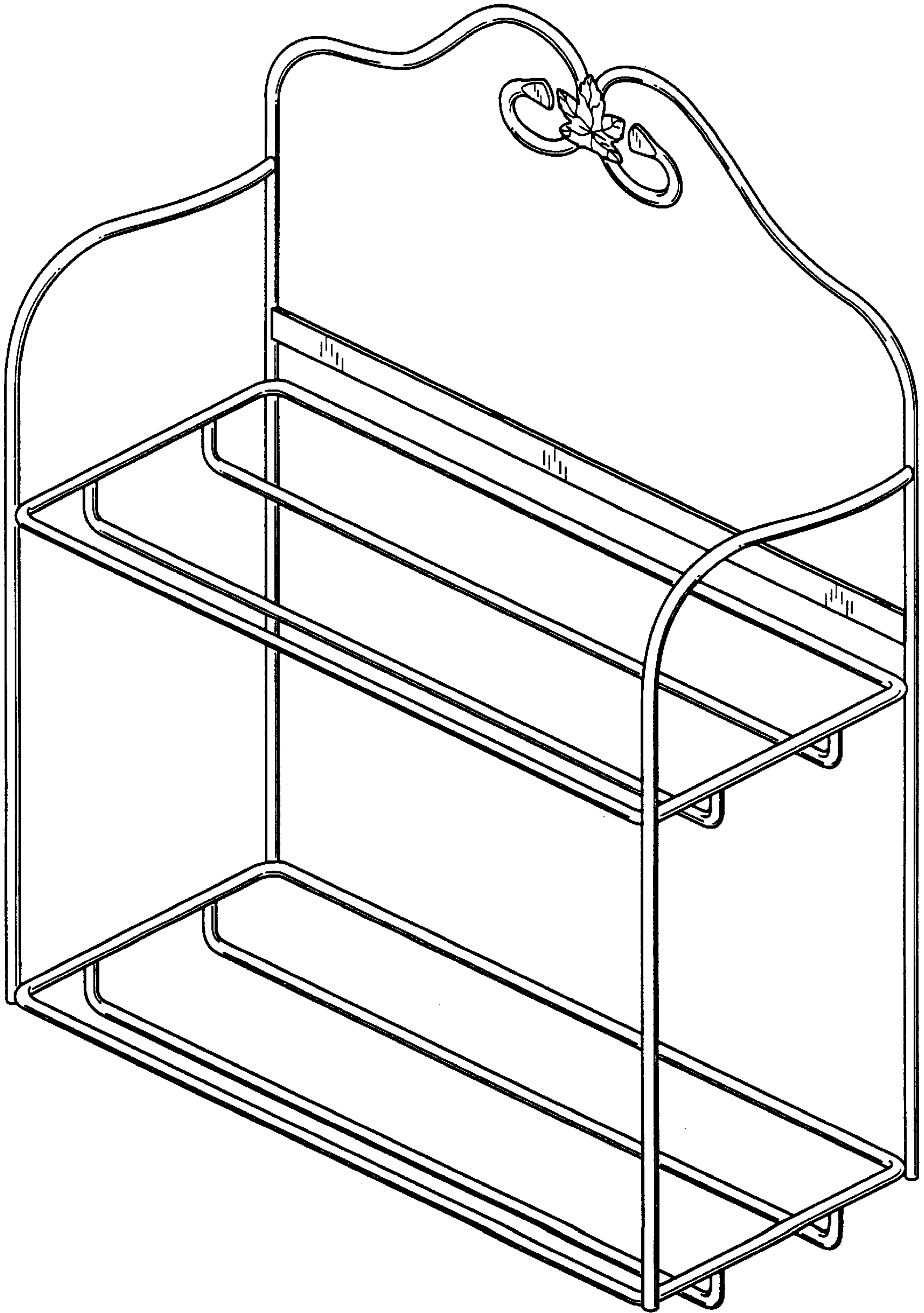


FIG. 7