



US00D441236S

(12) **United States Design Patent**
Gottwald

(10) **Patent No.:** **US D441,236 S**

(45) **Date of Patent:** **** May 1, 2001**

(54) **SOAP-DISH HOLDER**

(75) Inventor: **Adolf Gottwald**, Iserlohn (DE)

(73) Assignee: **Friedrich Grohe AG & Co. KG**,
Hemer (DE)

(**) Term: **14 Years**

(21) Appl. No.: **29/128,414**

(22) Filed: **Aug. 24, 2000**

(30) **Foreign Application Priority Data**

Mar. 16, 2000 (DE) 4 00 02 688

(51) **LOC (7) Cl.** **23-02**

(52) **U.S. Cl.** **D6/540**

(58) **Field of Search** D6/536-540, 532,
D6/524; D27/102, 104; 248/309.1; 206/77.1;
211/13.1, 86.01, 88.01, 126.1, 126.5, 134

(56) **References Cited**

U.S. PATENT DOCUMENTS

- D. 204,734 * 5/1966 O'Neil D6/536
- D. 371,735 * 7/1996 Motta D6/535 X
- D. 386,343 * 11/1997 Moore D6/532

- D. 394,773 * 6/1998 Patel D6/536
- D. 394,968 * 6/1998 Gottwald D6/540
- D. 416,153 * 11/1999 Chen D6/524
- D. 416,730 * 11/1999 Chen D6/540
- D. 424,349 * 5/2000 Duggan D6/540
- 4,151,972 * 5/1979 Allegro 211/88.01 X

* cited by examiner

Primary Examiner—Brian N. Vinson

(74) *Attorney, Agent, or Firm*—Herbert Dubno

(57) **CLAIM**

The ornamental design for a soap-dish holder, as shown and described.

DESCRIPTION

FIG. 1 is a top, front, left-side perspective view of a soap-dish holder showing my new design;
 FIG. 2 is a front elevational view thereof;
 FIG. 3 is a left side elevational view thereof;
 FIG. 4 is a top plan view thereof, the bottom plan view being identical thereto;
 FIG. 5 is a right side elevational view thereof; and,
 FIG. 6 is a rear view thereof.

1 Claim, 2 Drawing Sheets

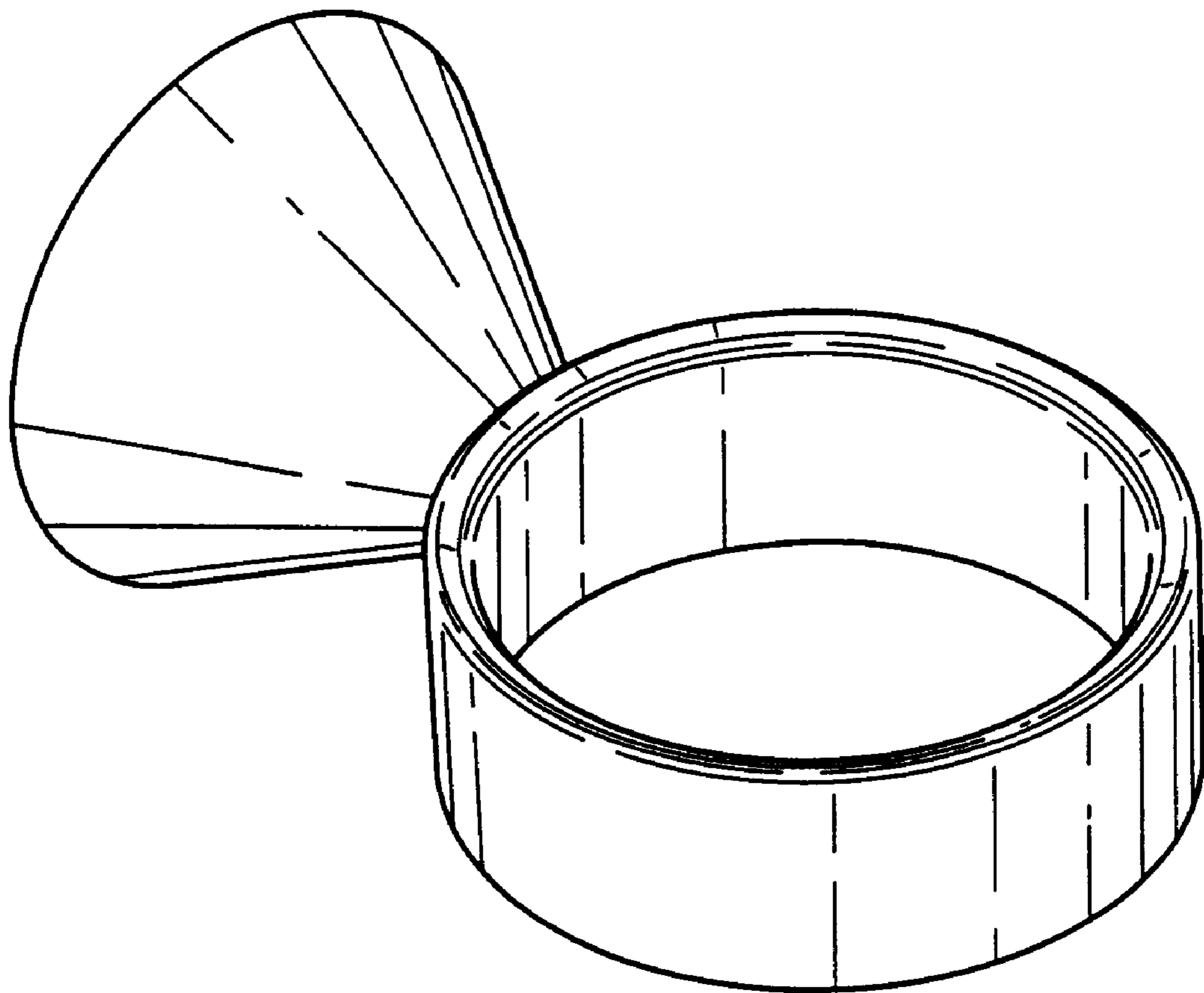


Fig. 1

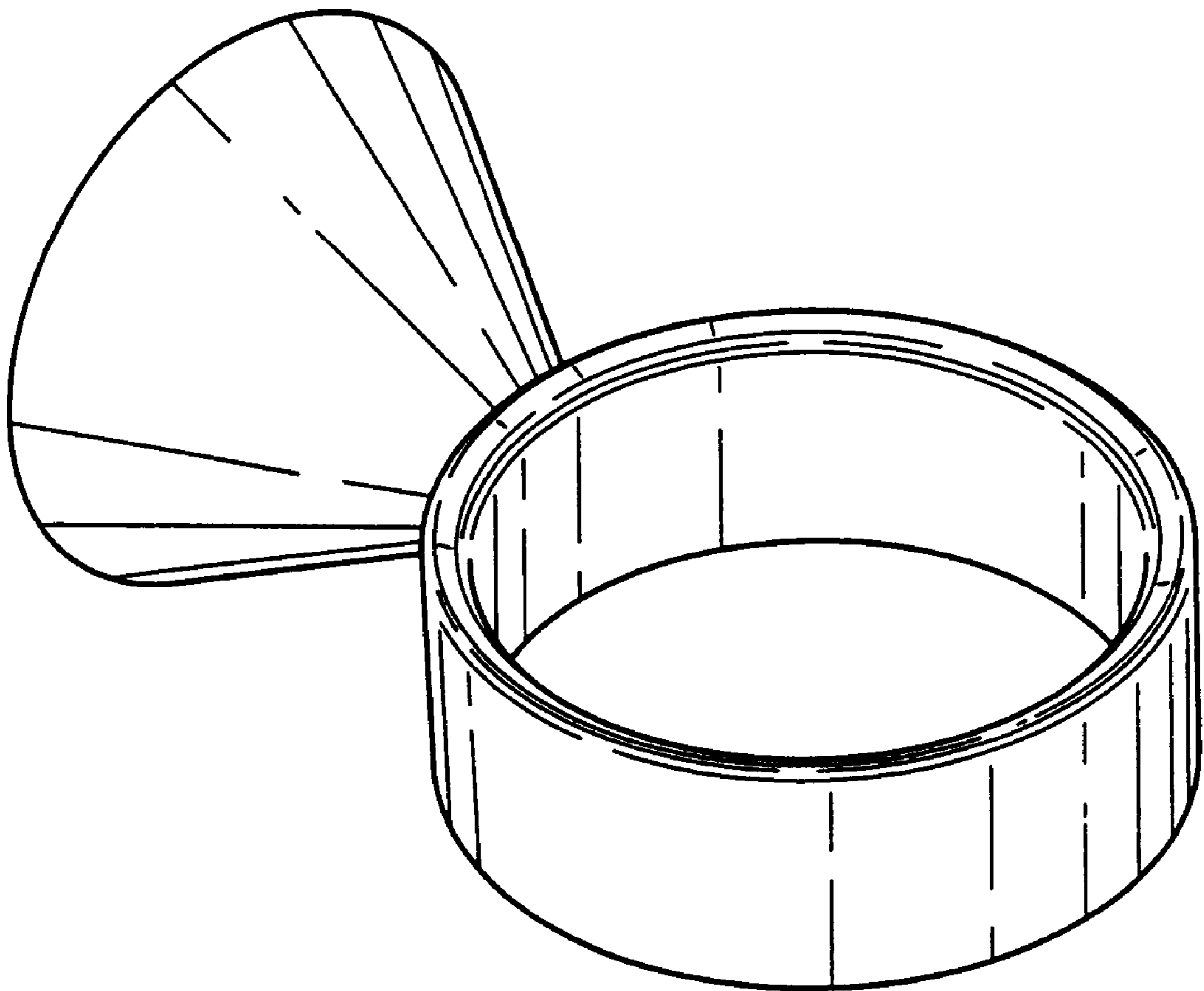


Fig. 2

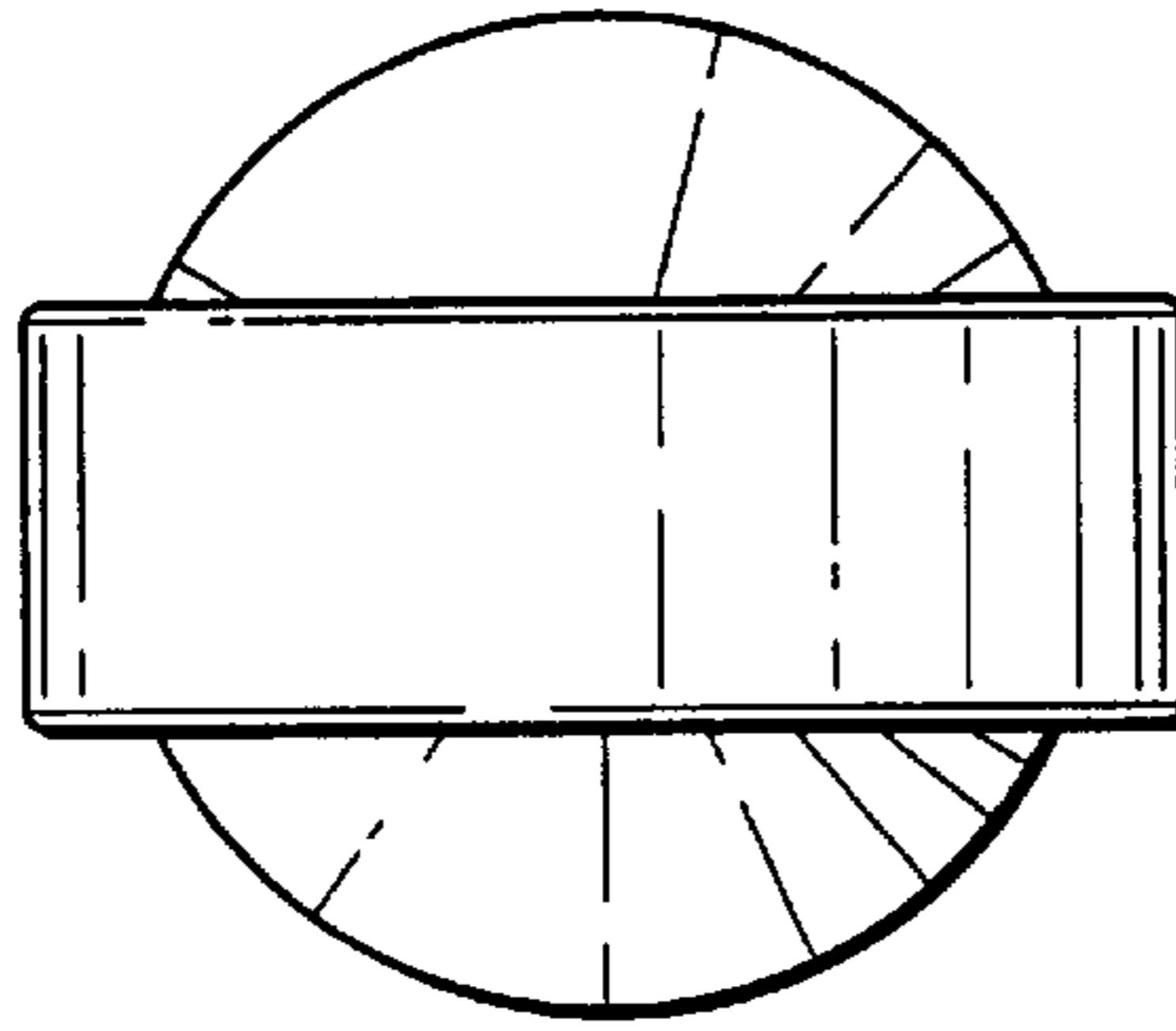


Fig. 3

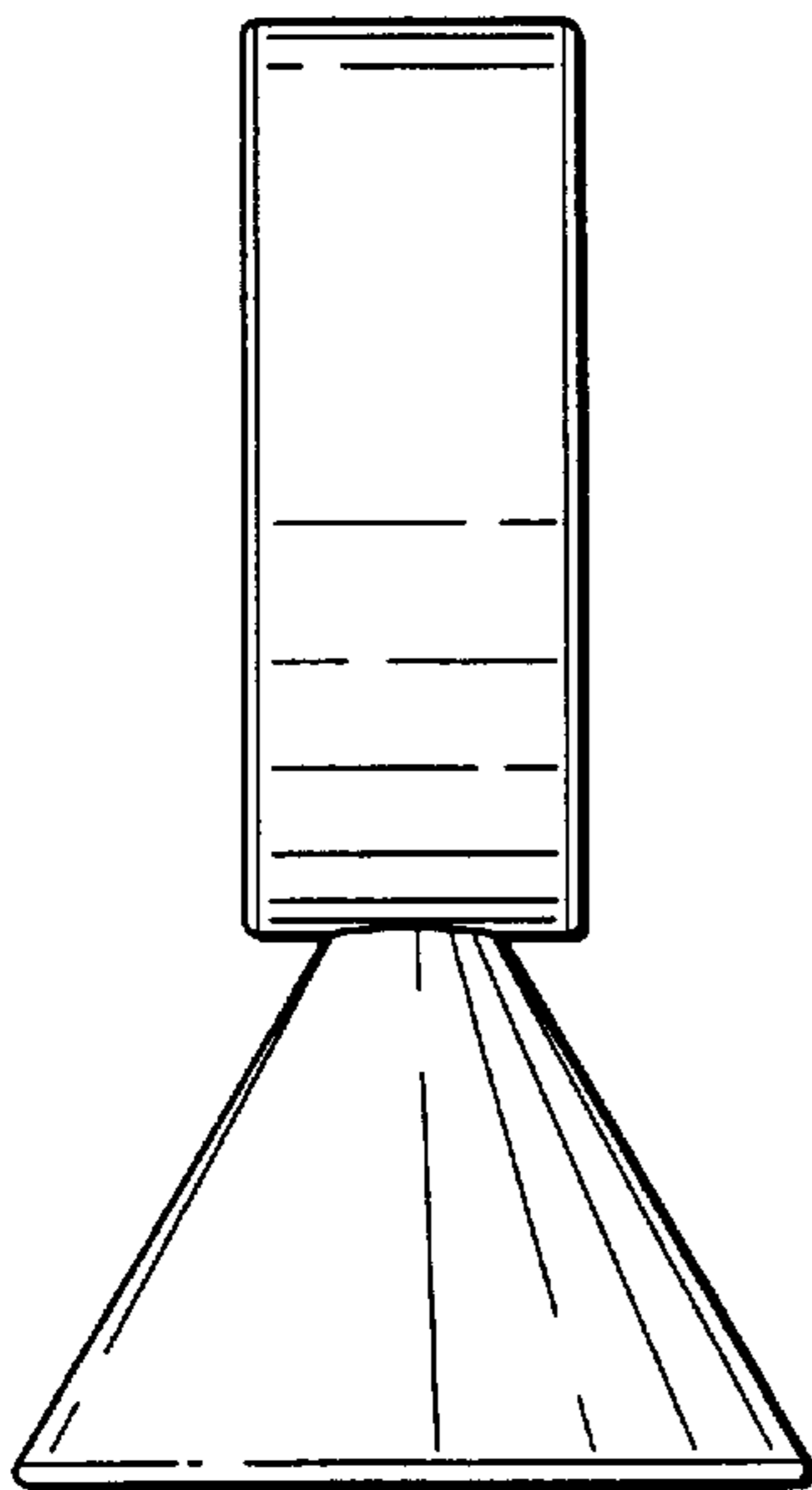


Fig. 4

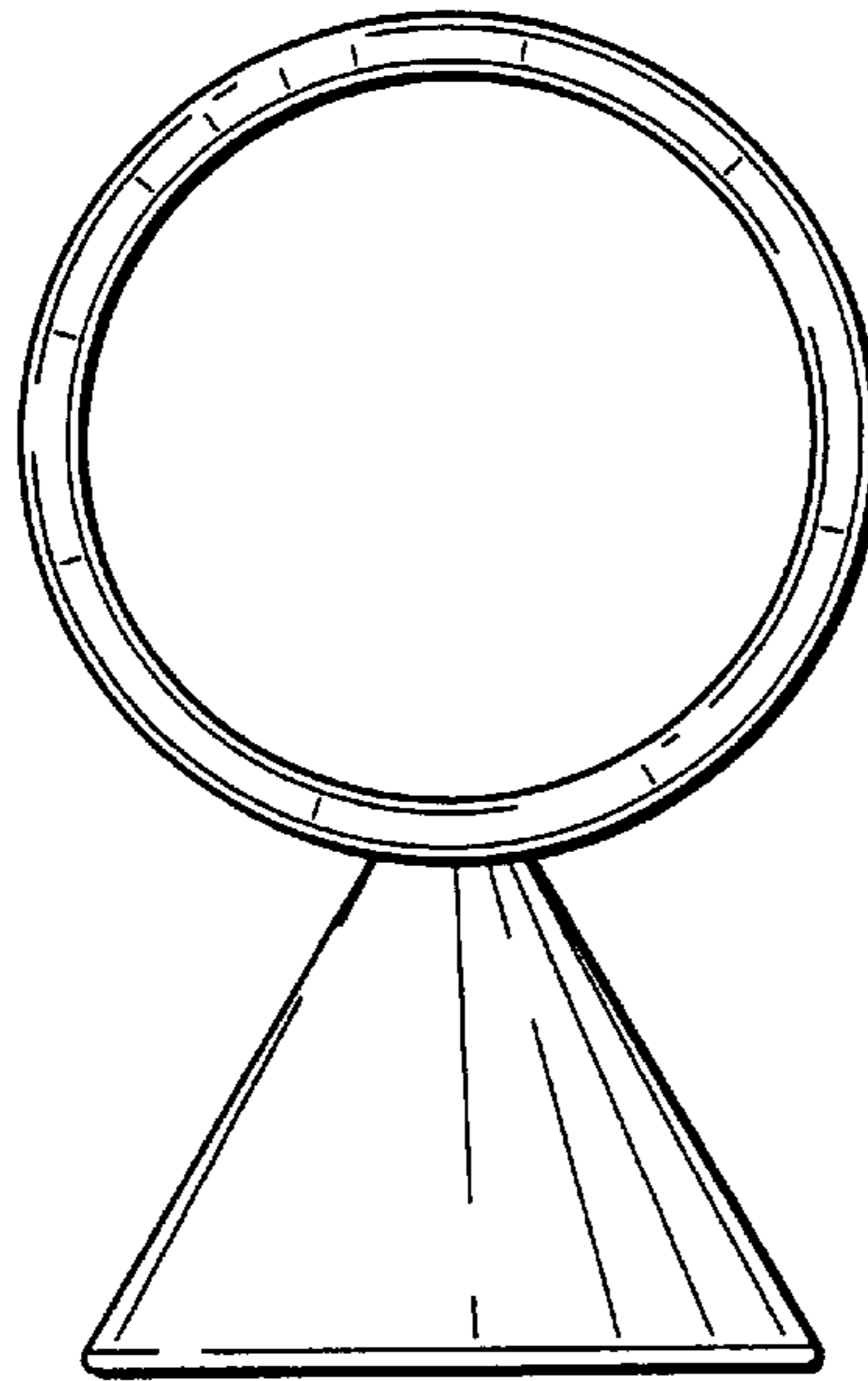


Fig. 5

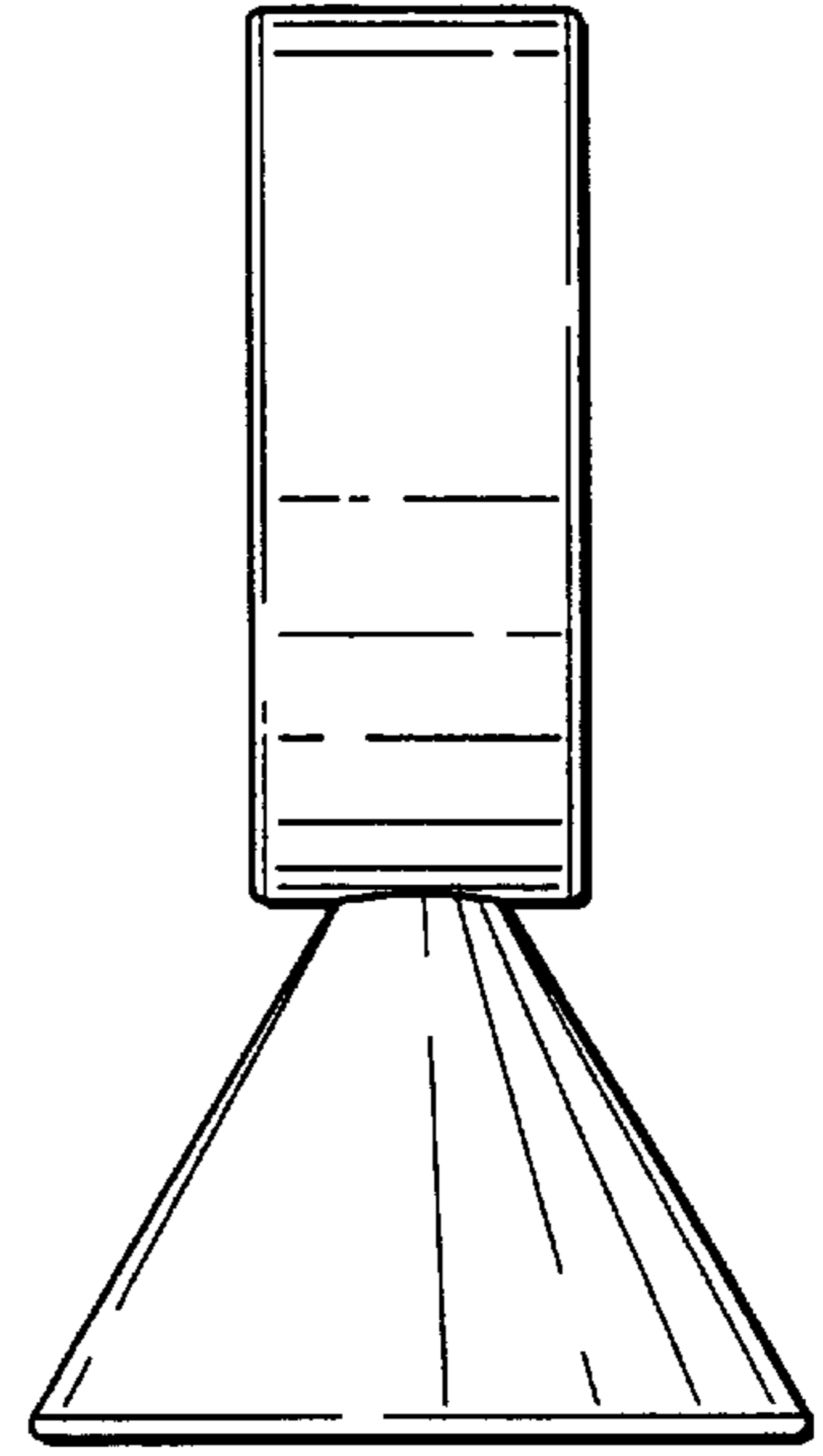


Fig. 6

