



US00D441235S

(12) **United States Design Patent**
Milrud et al.

(10) **Patent No.:** **US D441,235 S**

(45) **Date of Patent:** **** May 1, 2001**

(54) **SOAP DISH**

(75) Inventors: **Eduardo Milrud**, Chagrin Falls; **Daniel C. Buchner**, Amherst; **Shannon E. Mason**, Avon Lake, all of OH (US)

(73) Assignee: **Moen Incorporated**, North Olmsted, OH (US)

(**) Term: **14 Years**

(21) Appl. No.: **29/118,774**

(22) Filed: **Feb. 15, 2000**

(51) **LOC (7) Cl.** **23-02**

(52) **U.S. Cl.** **D6/540**

(58) **Field of Search** D6/536-540, 532,
D6/524; D27/102, 104; 248/309.1; 206/77.1;
211/13.1, 86.01, 88.01, 126.1, 126.5, 134

(56) **References Cited**

U.S. PATENT DOCUMENTS

- D. 39,774 1/1909 Eustis .
- D. 75,382 5/1928 Newton .
- D. 82,004 9/1930 Spanel .
- D. 86,837 4/1932 Hirsch .
- D. 133,293 8/1942 Anderson .
- D. 150,750 8/1948 Bozoti .
- D. 154,727 8/1949 Ward .
- D. 161,814 2/1951 Bakerr et al. .

- D. 246,404 11/1977 Tegner .
- D. 272,492 2/1984 Bennato .
- D. 358,518 5/1995 Sharpe .
- D. 386,343 11/1997 Moore .
- D. 388,643 1/1998 von Buelow et al. .
- D. 416,153 * 11/1999 Chen D6/524
- D. 416,730 * 11/1999 Chen D6/540
- D. 424,349 * 5/2000 Duggan D6/540
- 1,891,048 12/1932 Keefe .

* cited by examiner

Primary Examiner—Brian N. Vinson
(74) *Attorney, Agent, or Firm*—Cook, Alex, McFarron, Manzo, Cummings & Mehler, Ltd.

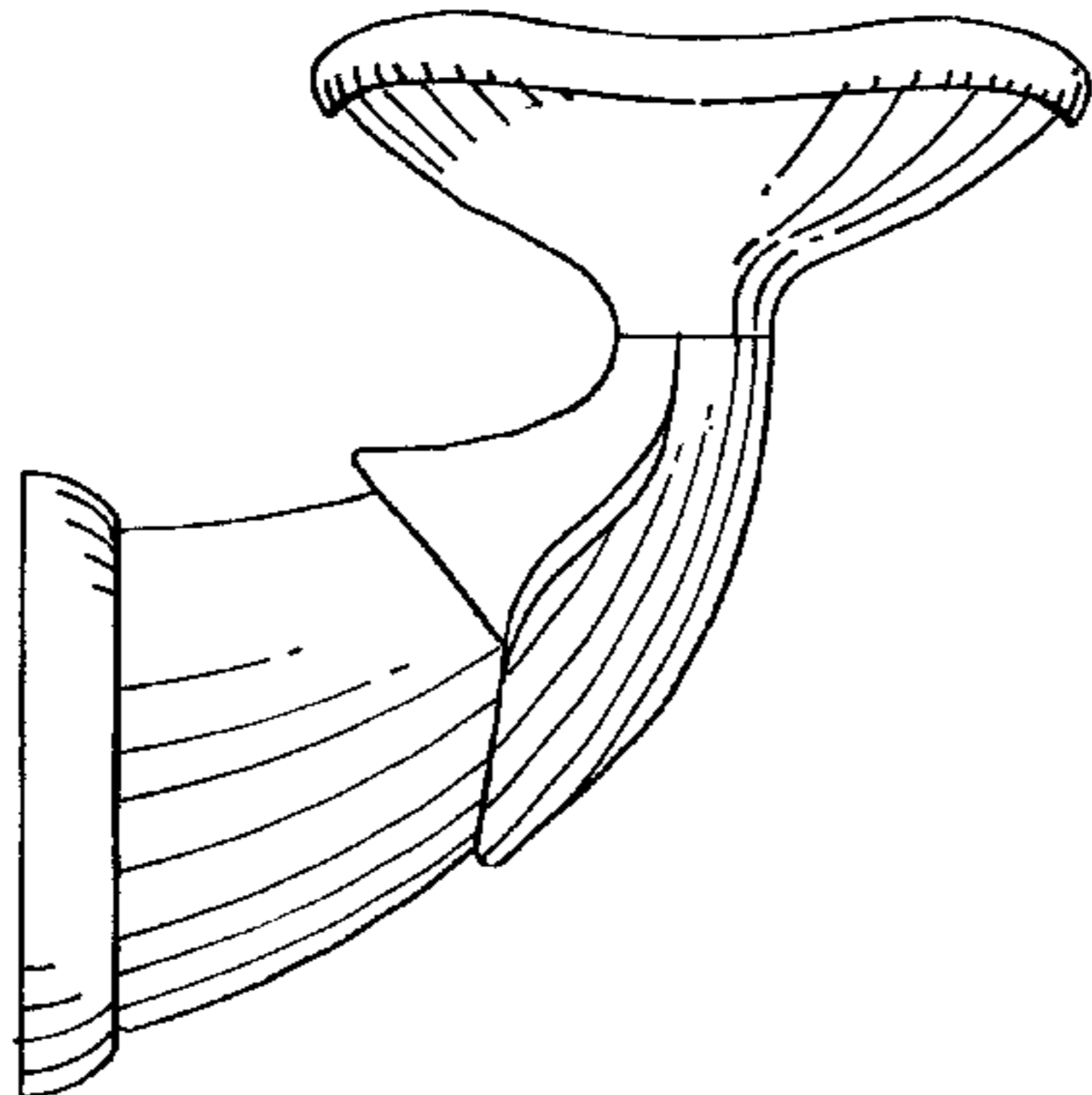
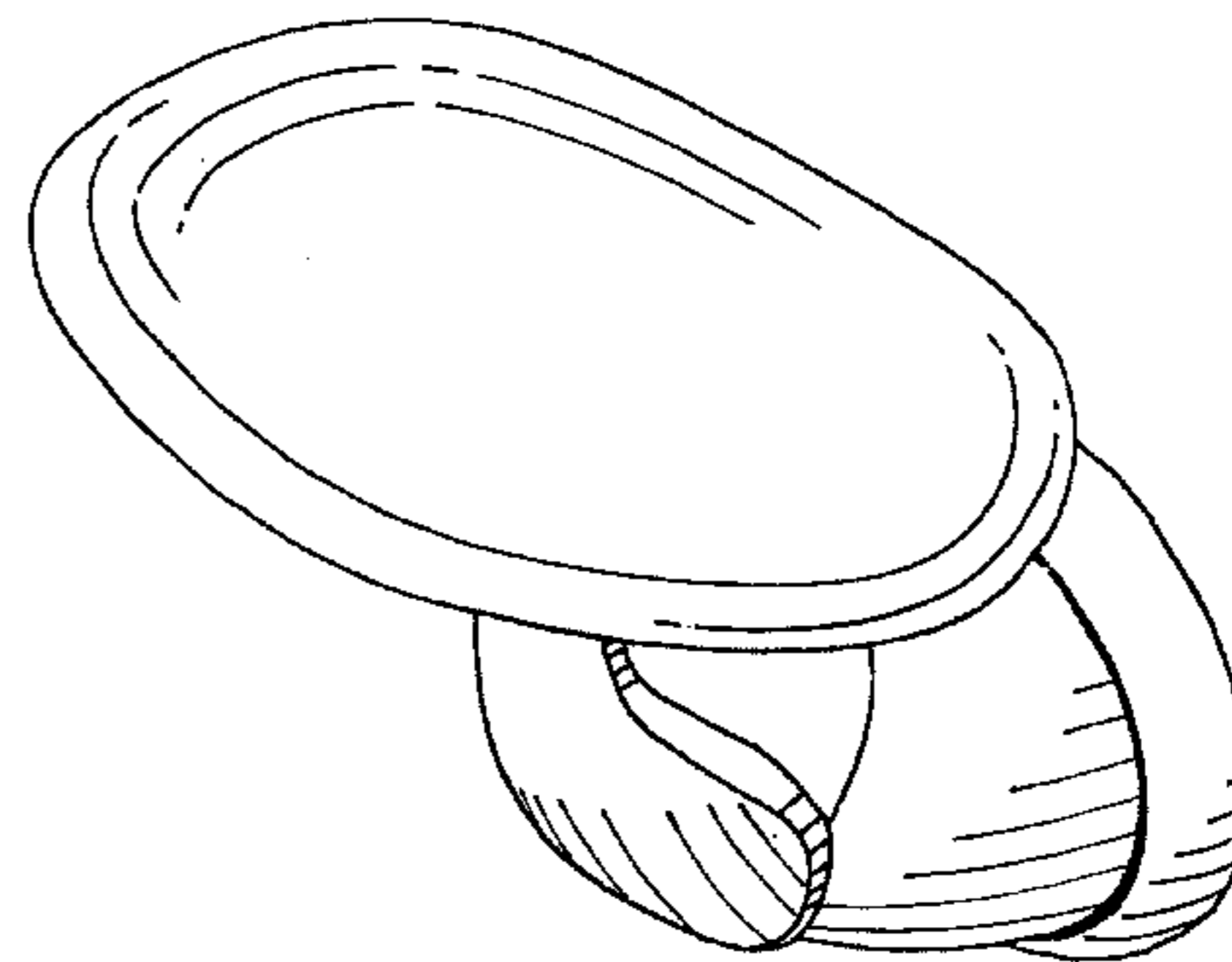
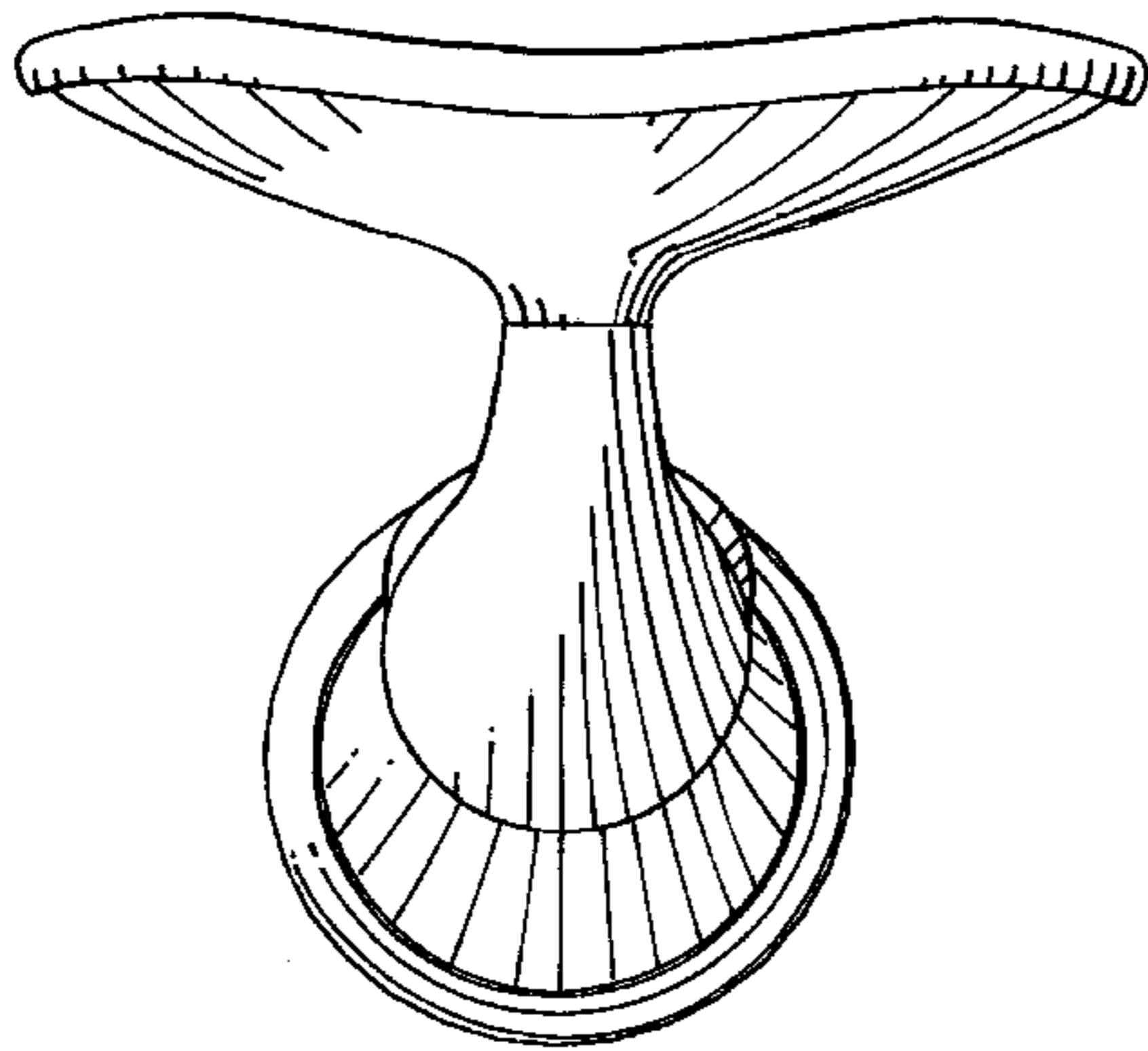
(57) **CLAIM**

The ornamental design for a soap dish, as shown and described.

DESCRIPTION

FIG. 1 is a front view of our new design for a soap dish; FIG. 2 is a rear view thereof; FIG. 3 is a right side view thereof, the left side being the same as the right side; FIG. 4 is a top view thereof; FIG. 5 is a perspective view thereof; and, FIG. 6 is a bottom view thereof.

1 Claim, 2 Drawing Sheets



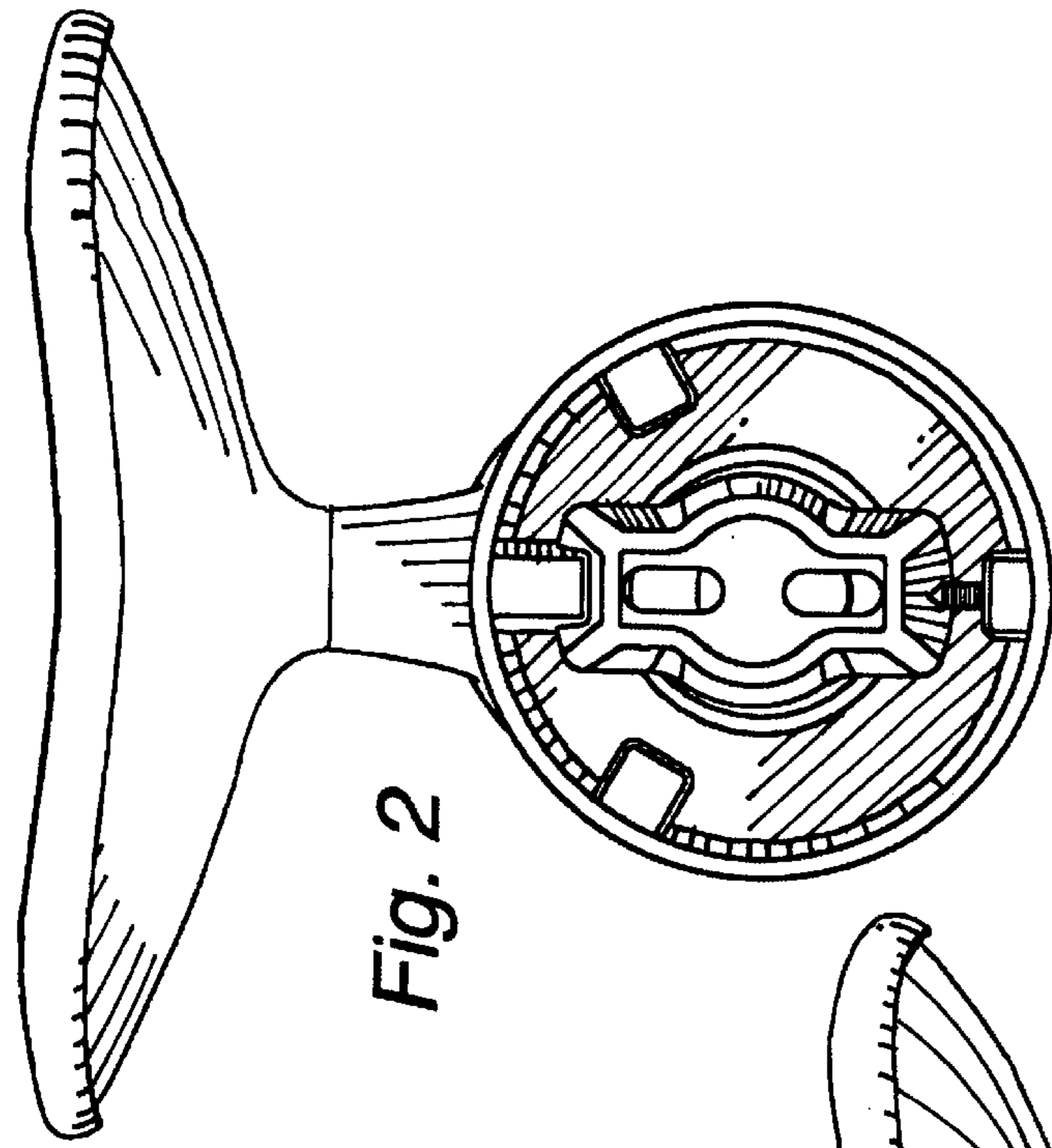


Fig. 1

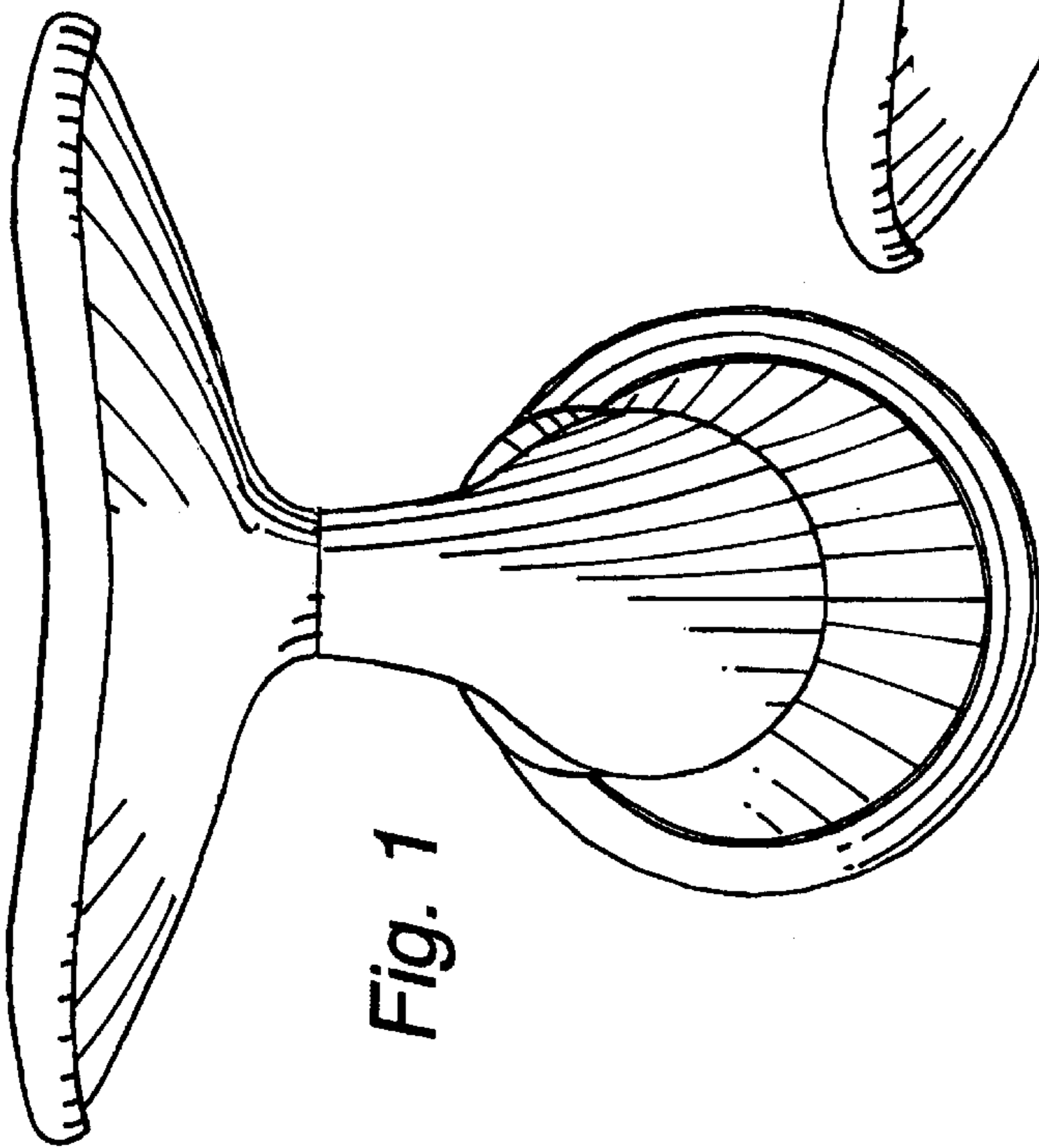


Fig. 2

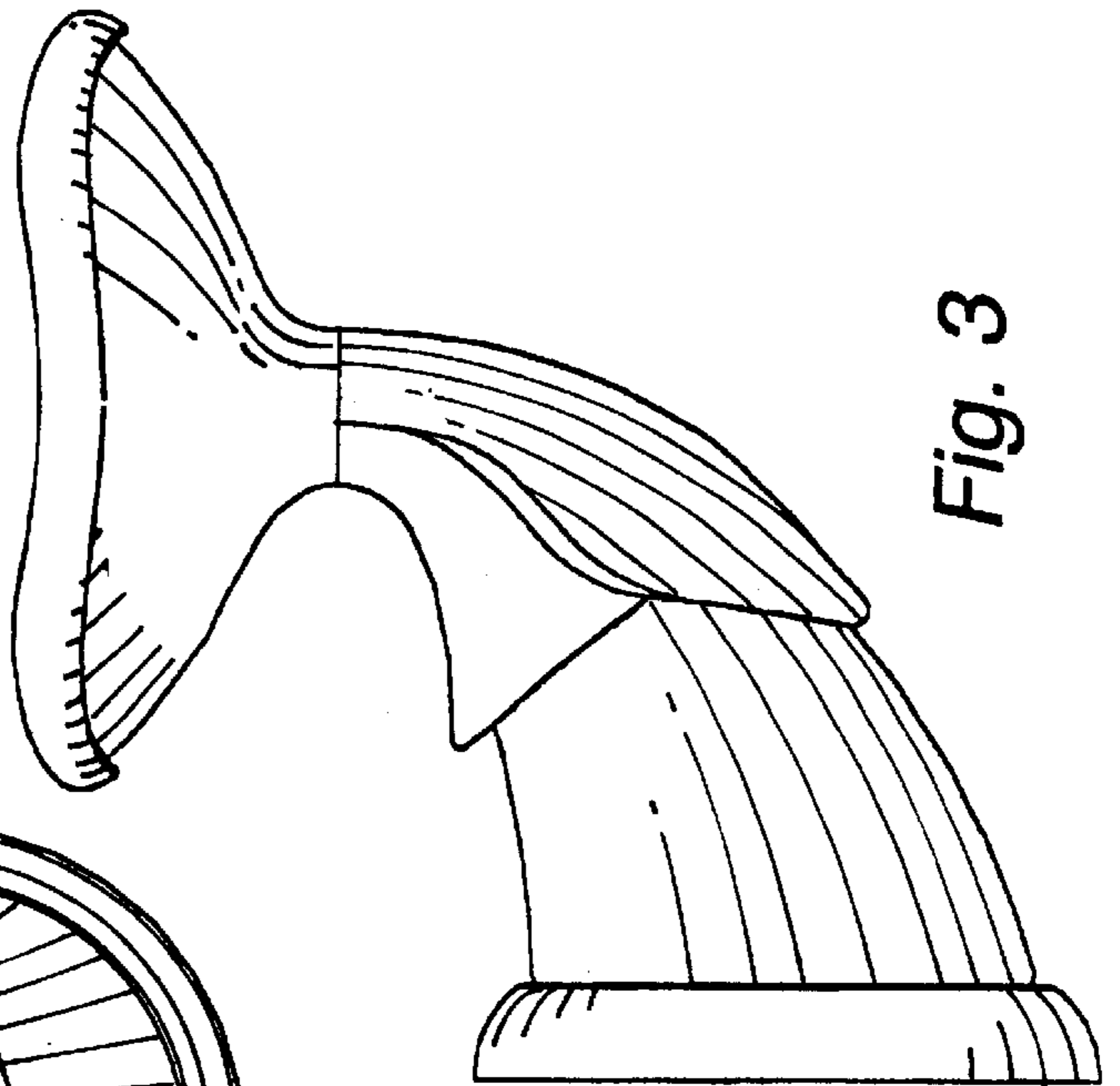


Fig. 3

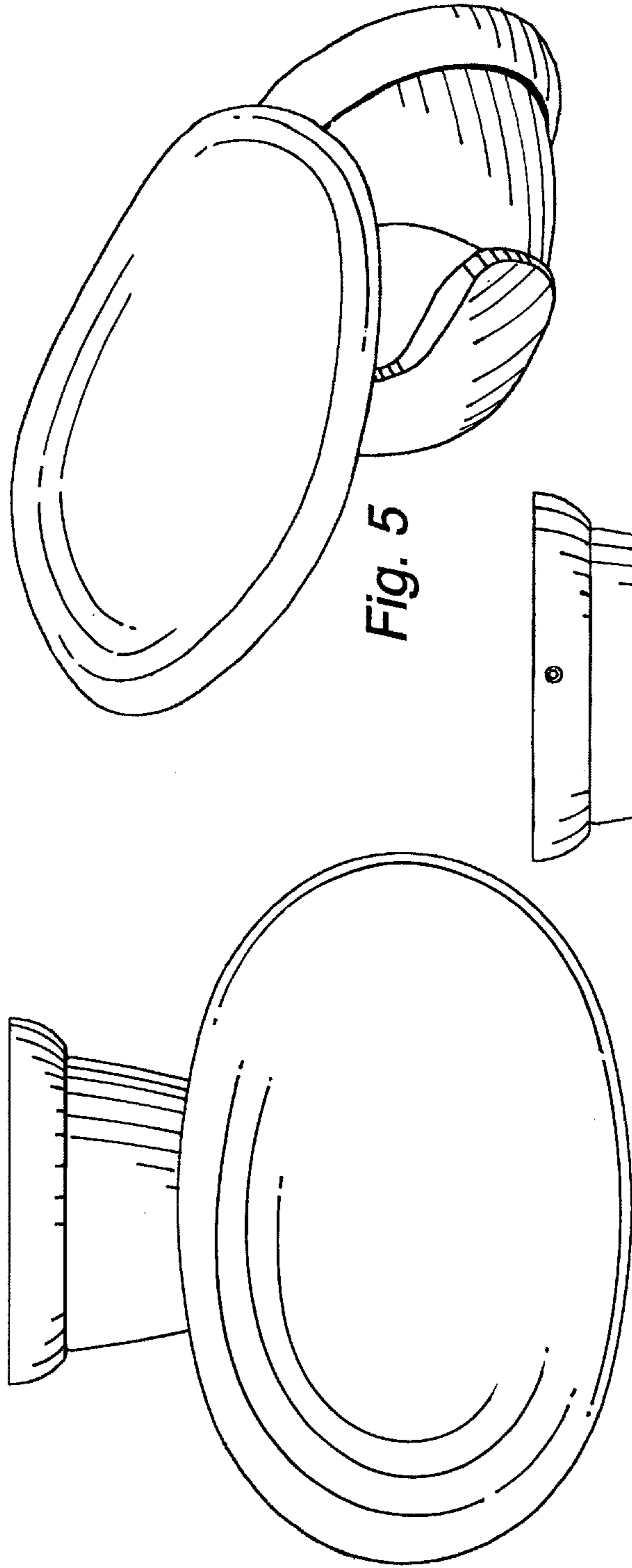


Fig. 5

Fig. 4

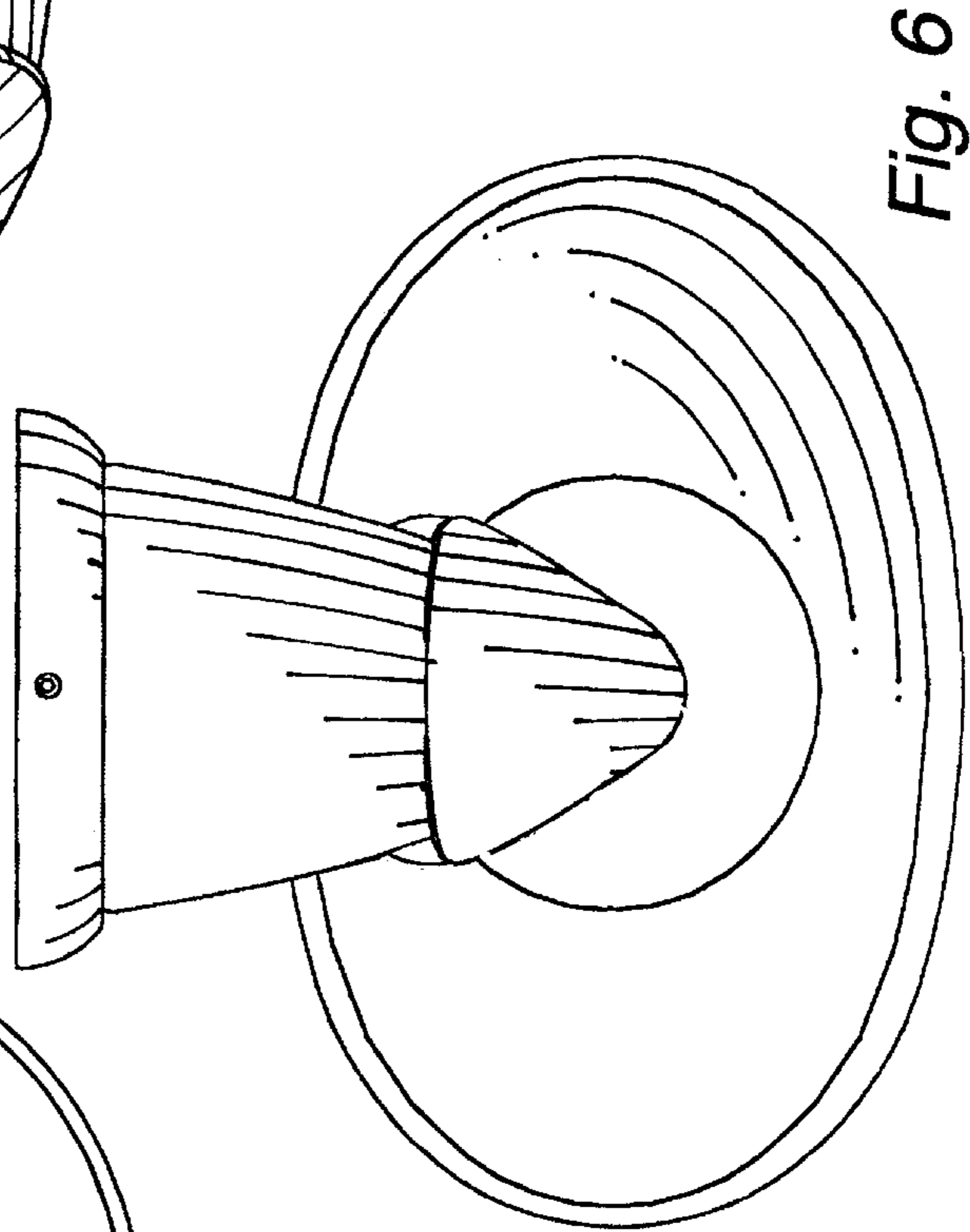


Fig. 6