



US00D441234S

(12) **United States Design Patent**
Root

(10) **Patent No.:** **US D441,234 S**

(45) **Date of Patent:** **** May 1, 2001**

(54) **TOOTHBRUSH HOLDER CARRIER ASSEMBLY**

4,085,867	4/1978	Heller	222/181
4,722,113	2/1988	Olsson	15/257 R
5,259,519	11/1993	Lieberman	211/66
5,335,799	8/1994	Coudron	211/65

(76) **Inventor:** **Tracy Root**, 24 King St., Box 708,
Sconset, MA (US) 02564

(**) **Term:** **14 Years**

* cited by examiner

Primary Examiner—Brian N. Vinson

(74) *Attorney, Agent, or Firm*—Pennie & Edmonds LLP

(21) **Appl. No.:** **29/121,713**

(22) **Filed:** **Apr. 13, 2000**

(57) **CLAIM**

(51) **LOC (7) Cl.** **23-02**

(52) **U.S. Cl.** **D6/534**

(58) **Field of Search** D6/534–540, 528–529,
D6/531, 524; 248/309.1; 206/77.1; 211/13.1,
86.01, 88.01, 126.1, 134

The ornamental design of a toothbrush holder carrier assembly, as shown and described.

DESCRIPTION

(56) **References Cited**

U.S. PATENT DOCUMENTS

132,089	10/1872	Lewis .	
288,058	11/1883	Hollister .	
D. 301,976	7/1989	Greenhut et al.	D8/373
D. 306,811	3/1990	DeLeon	D6/531
D. 320,123	* 9/1991	Wolf et al.	D6/528
D. 341,510	* 11/1993	Lieberman	D6/528
1,404,755	1/1922	Gay .	
1,487,085	3/1924	Blackshear .	
2,028,694	* 1/1936	Spinks	211/134 X
2,340,521	2/1944	Engert	248/312
2,916,155	12/1959	Elliott	211/66
3,002,630	10/1961	Heisser	211/65
3,990,755	* 11/1976	Krause	312/207

FIG. 1 is an isometric front view of the disposable toothbrush carrier assembly;

FIG. 2 is a top view of the disposable toothbrush carrier assembly;

FIG. 3 is a bottom view of the disposable toothbrush carrier assembly;

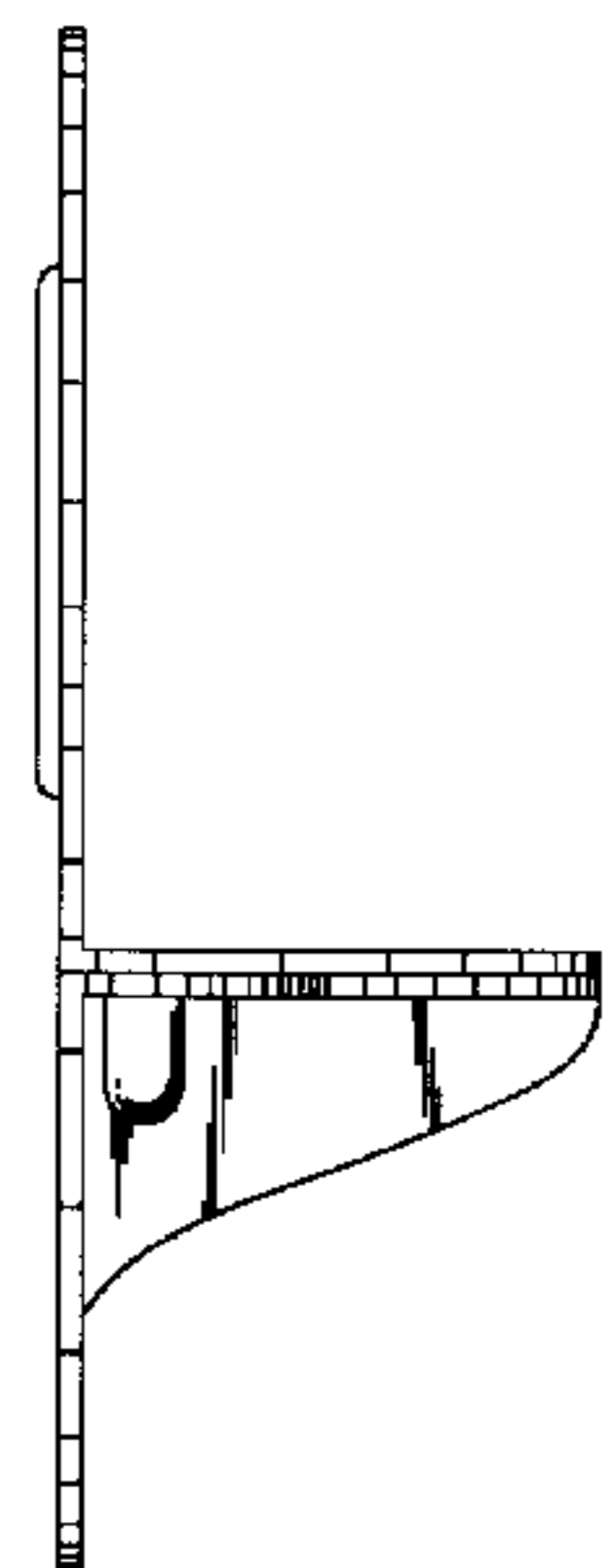
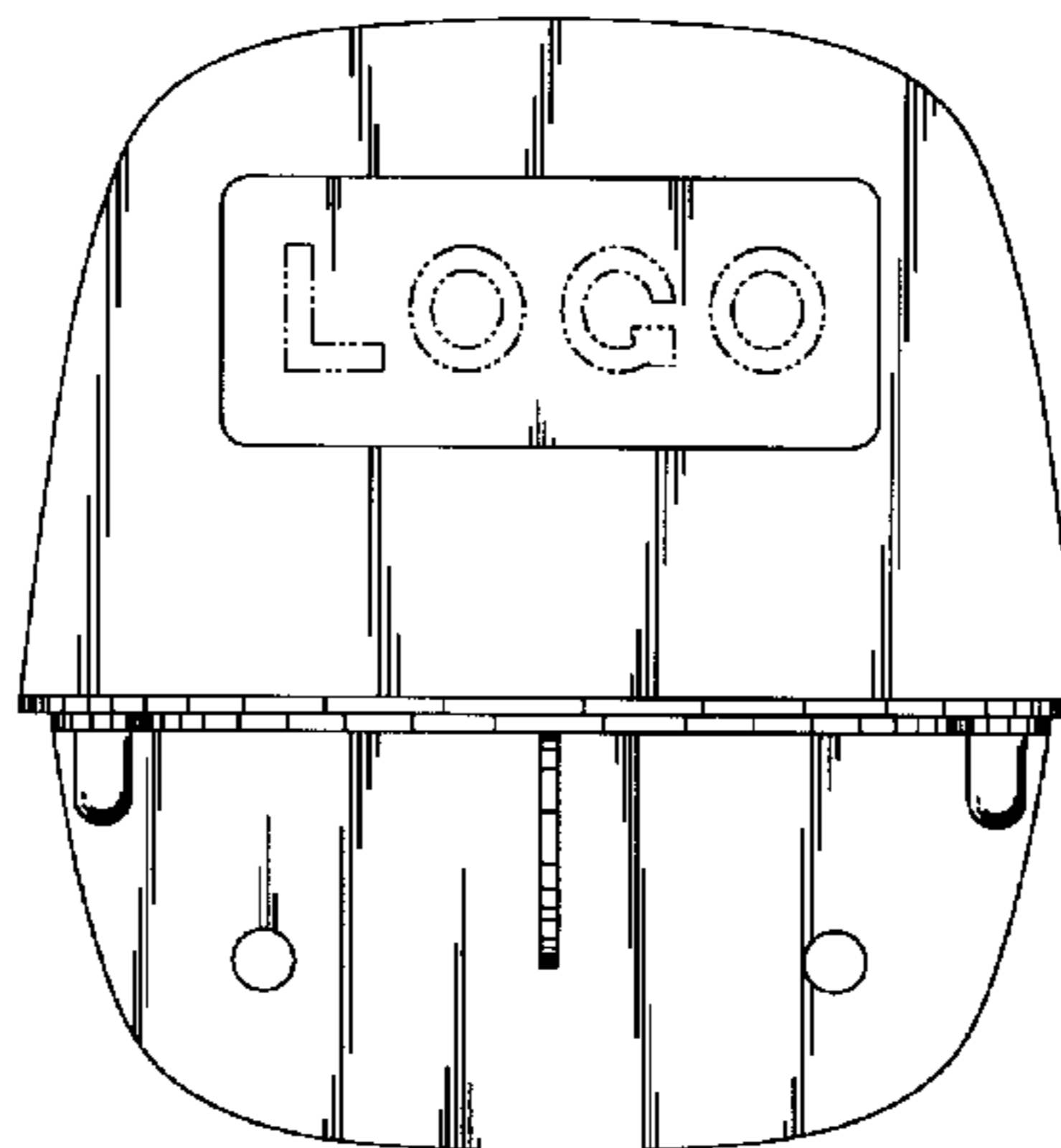
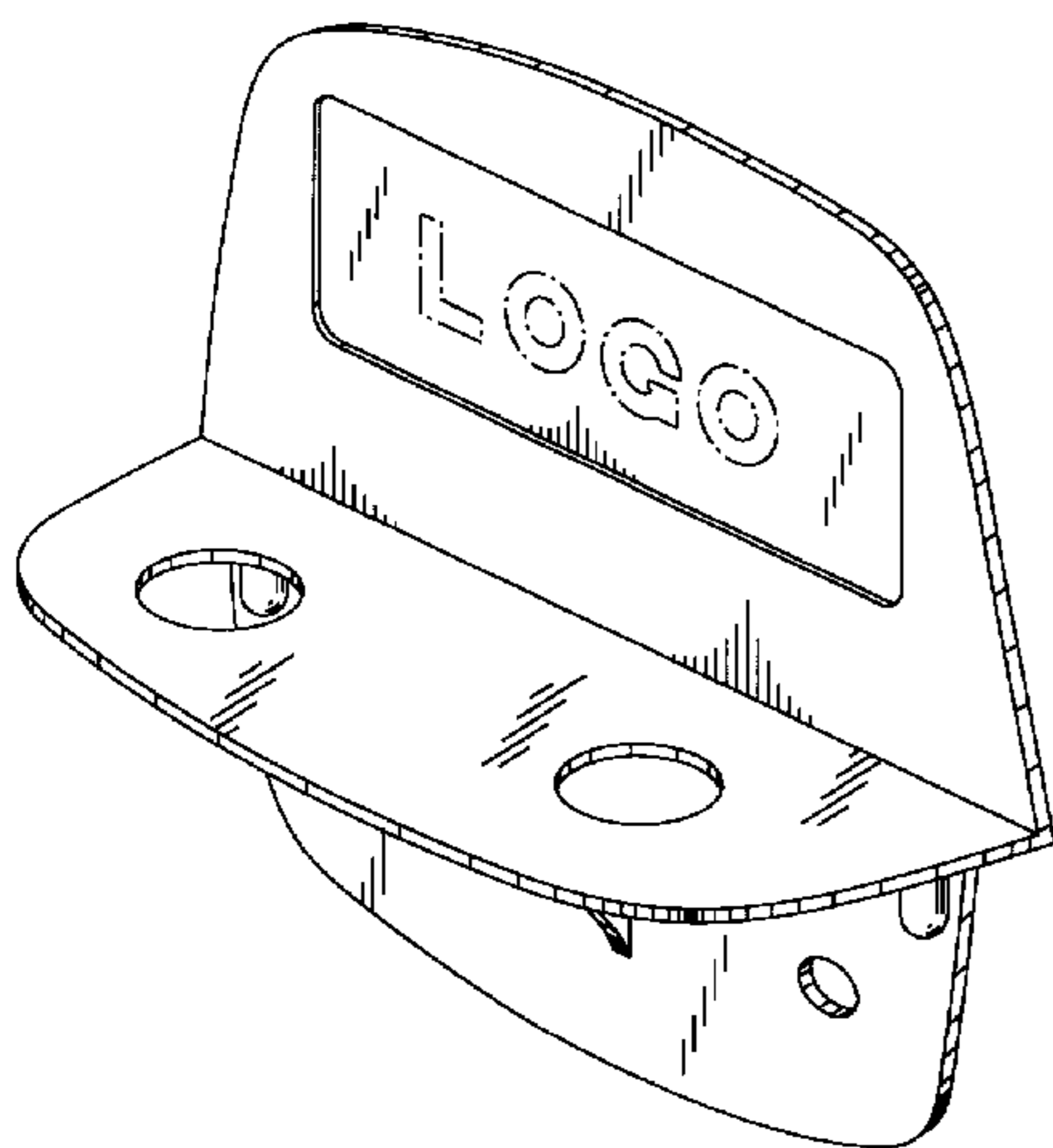
FIG. 4 is a front view of the disposable toothbrush carrier assembly;

FIG. 5 is a back view of the disposable toothbrush carrier assembly; and,

FIG. 6 is a side view of the disposable toothbrush carrier assembly.

The broken lines showing of the logo in FIGS. 1 and 4 are for illustrative purposes only and form no part of the claimed design.

1 Claim, 4 Drawing Sheets



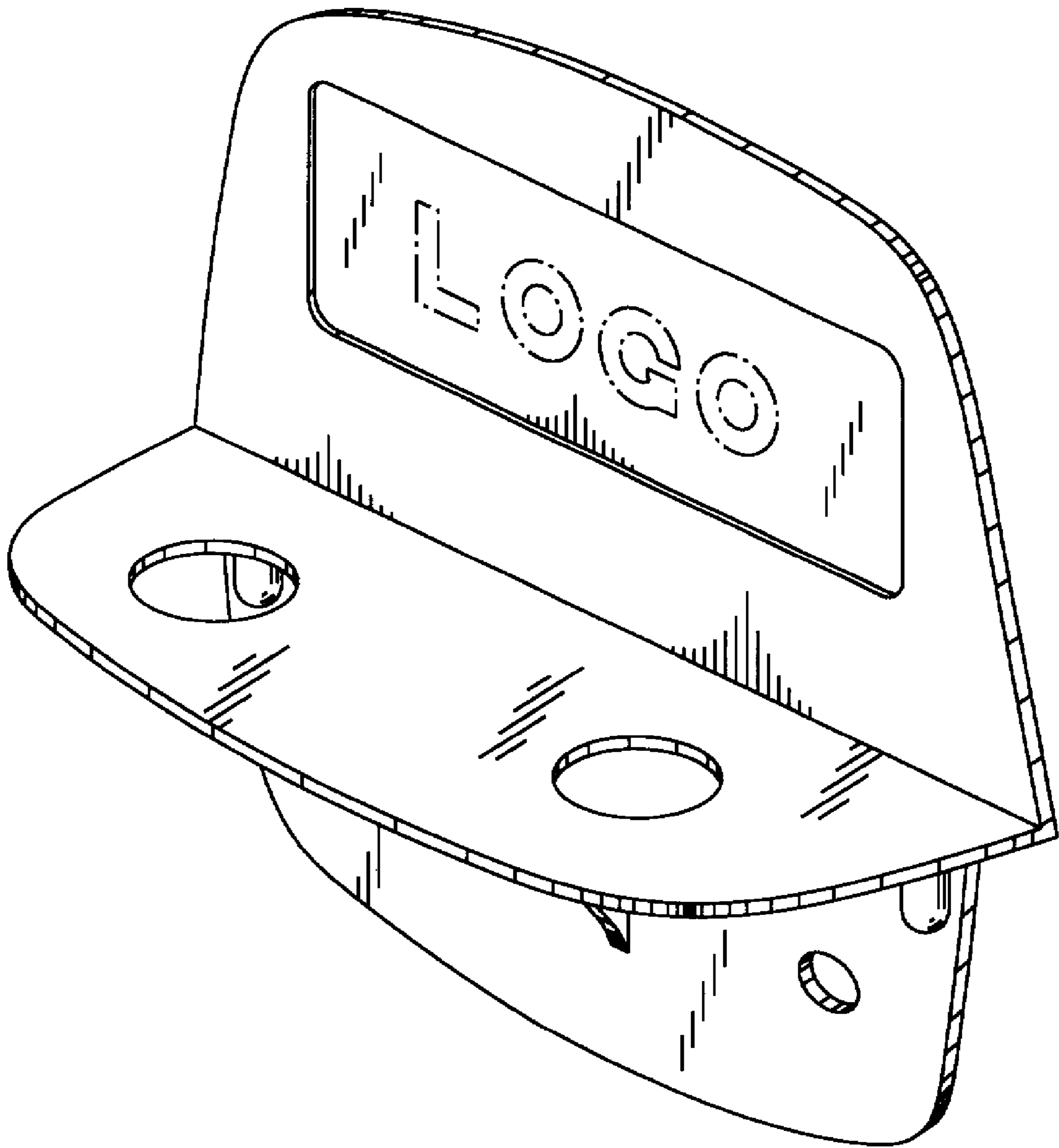


FIG. 1

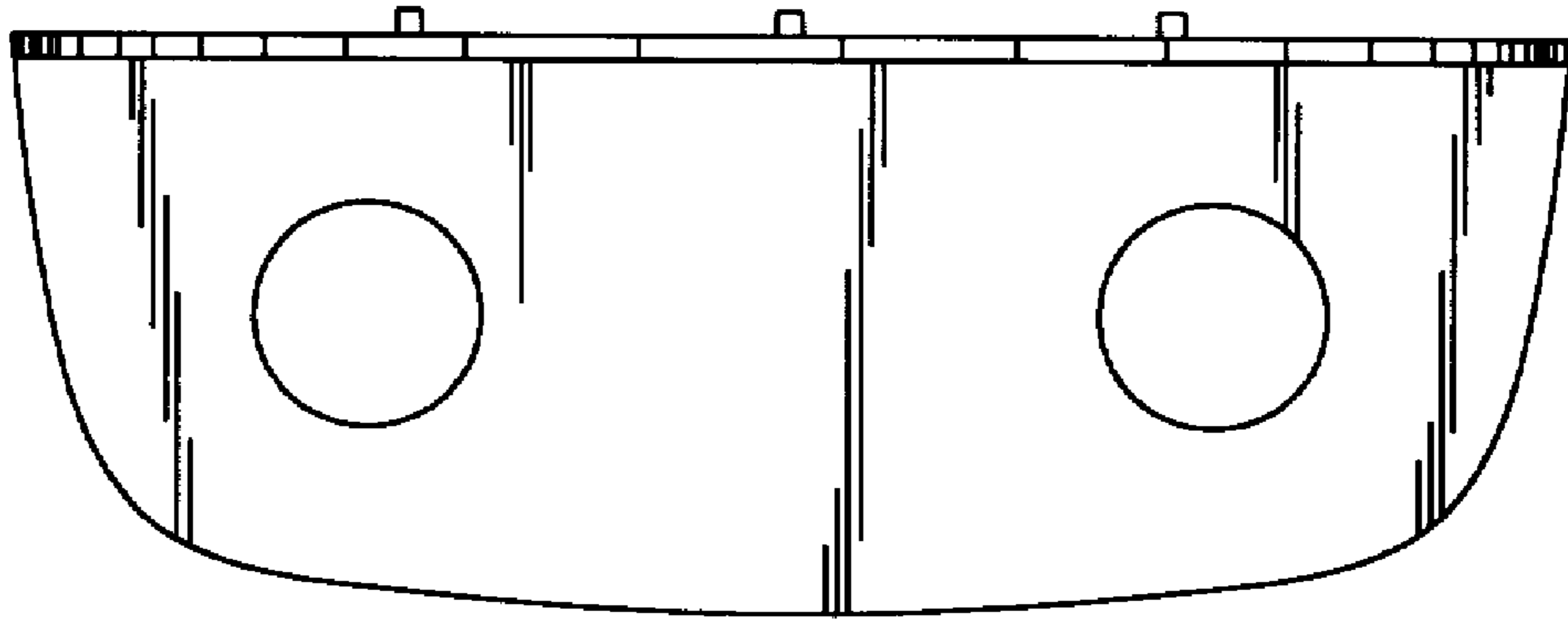


FIG. 2

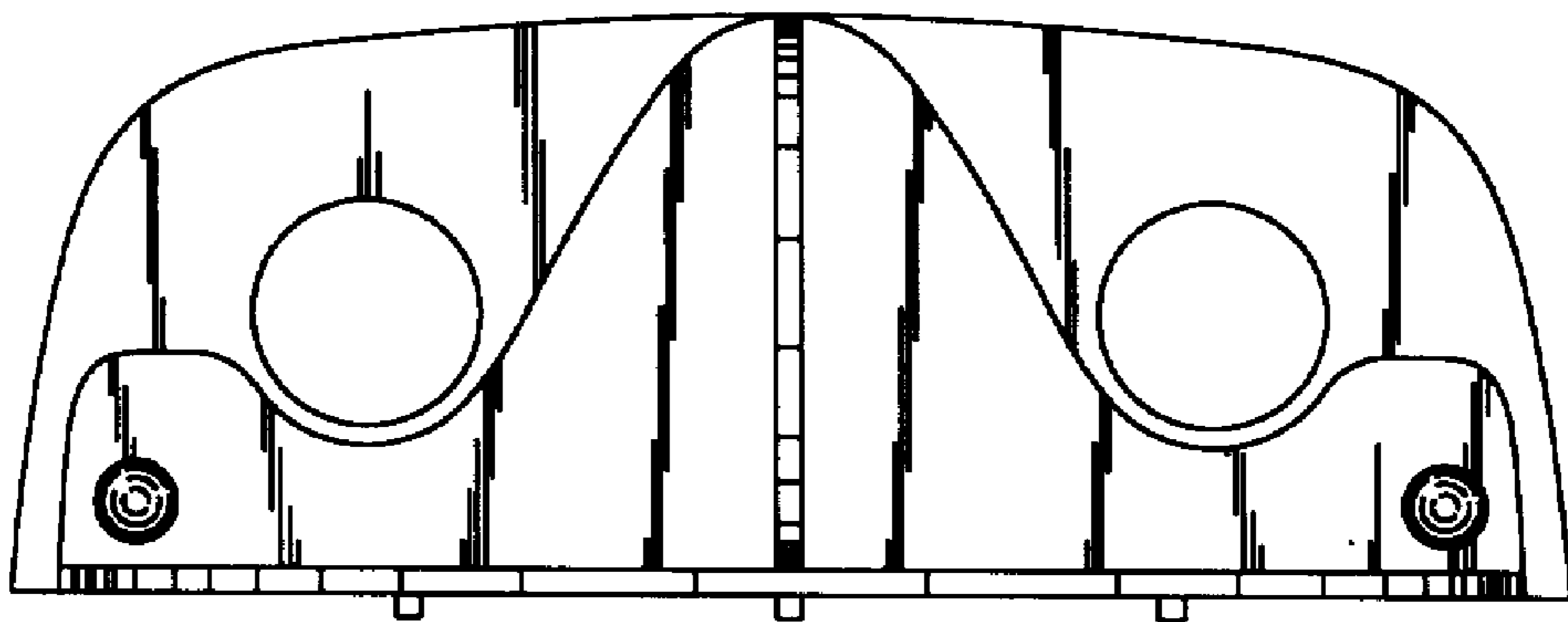


FIG. 3

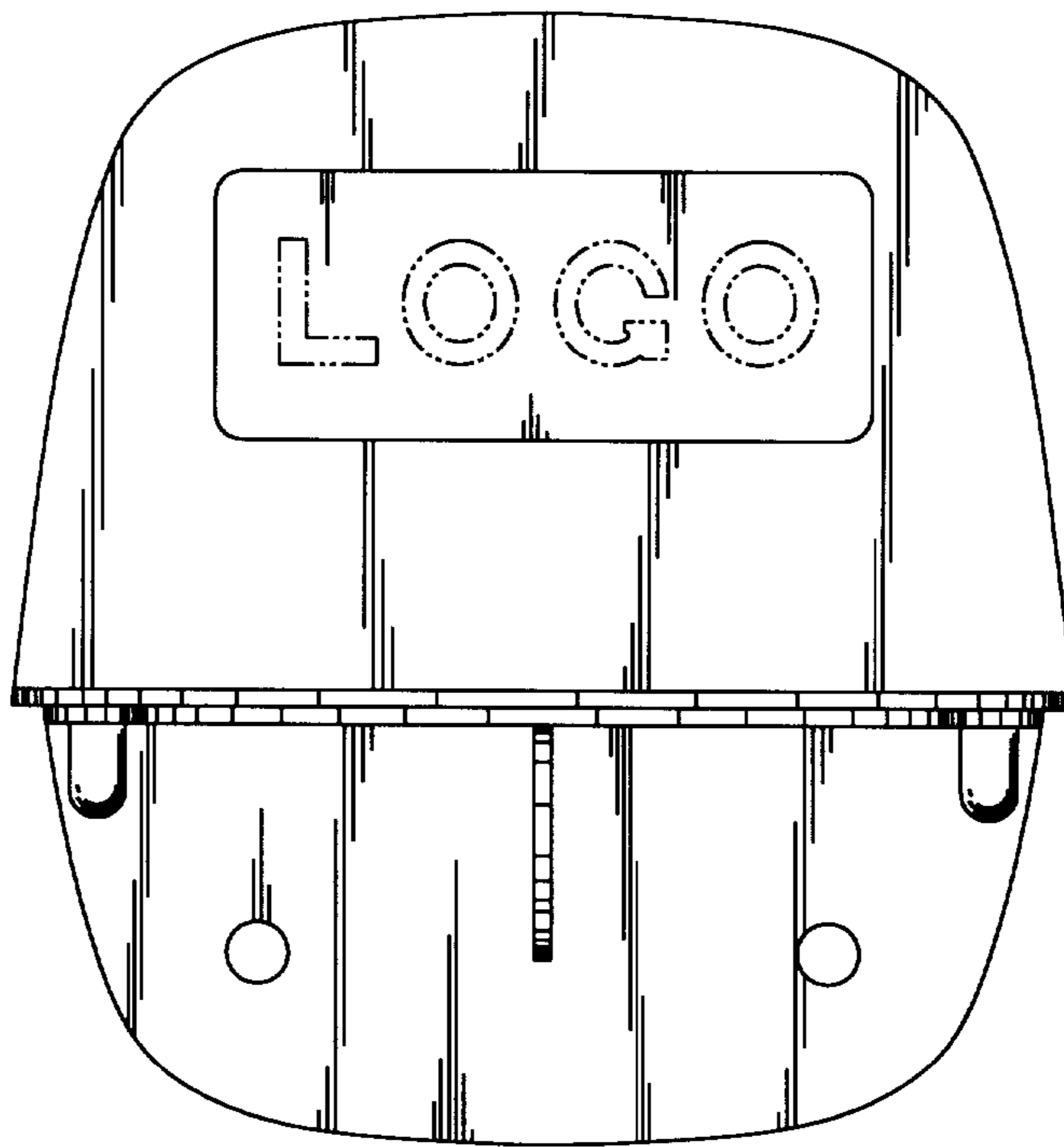


FIG. 4

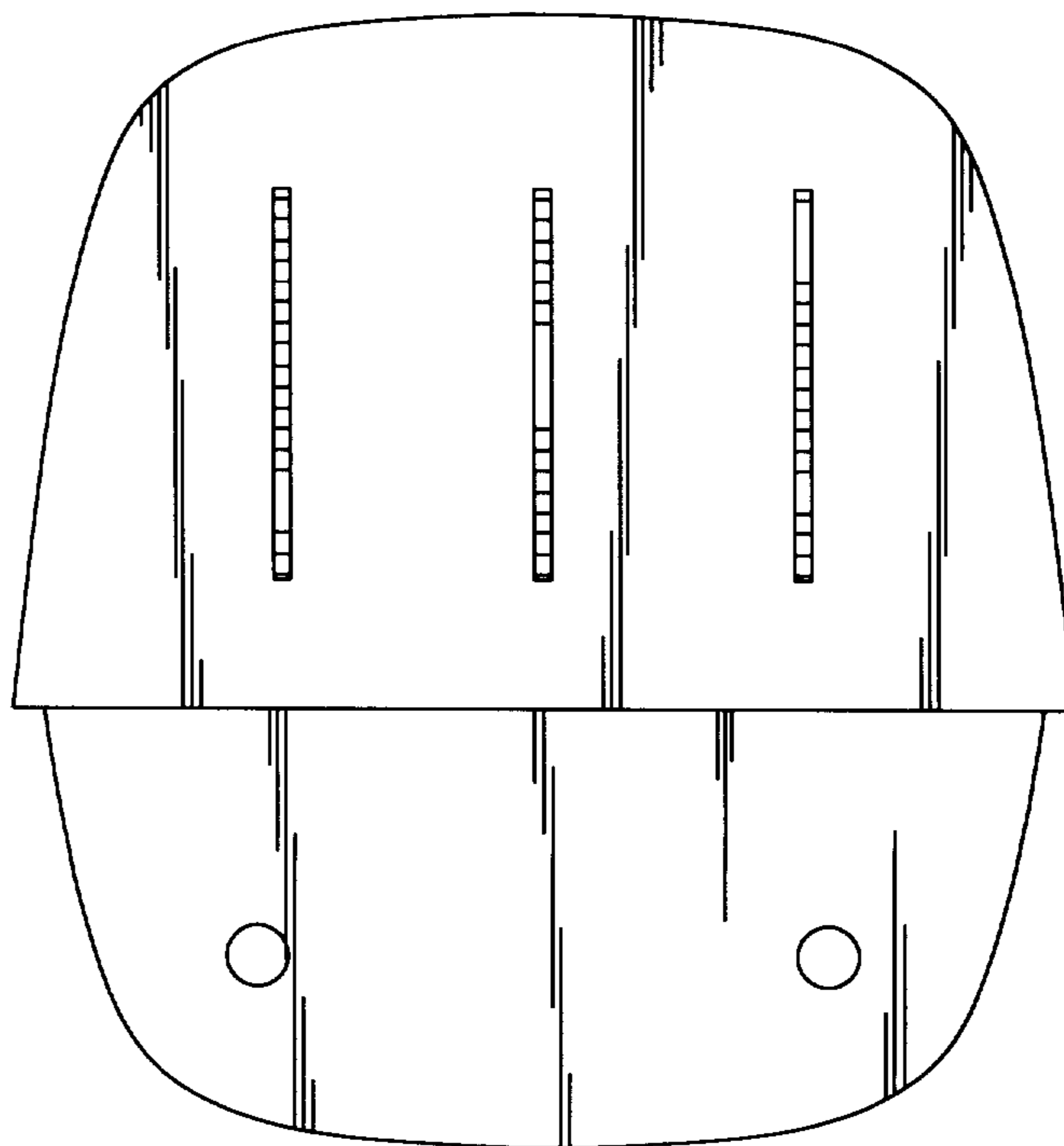


FIG. 5

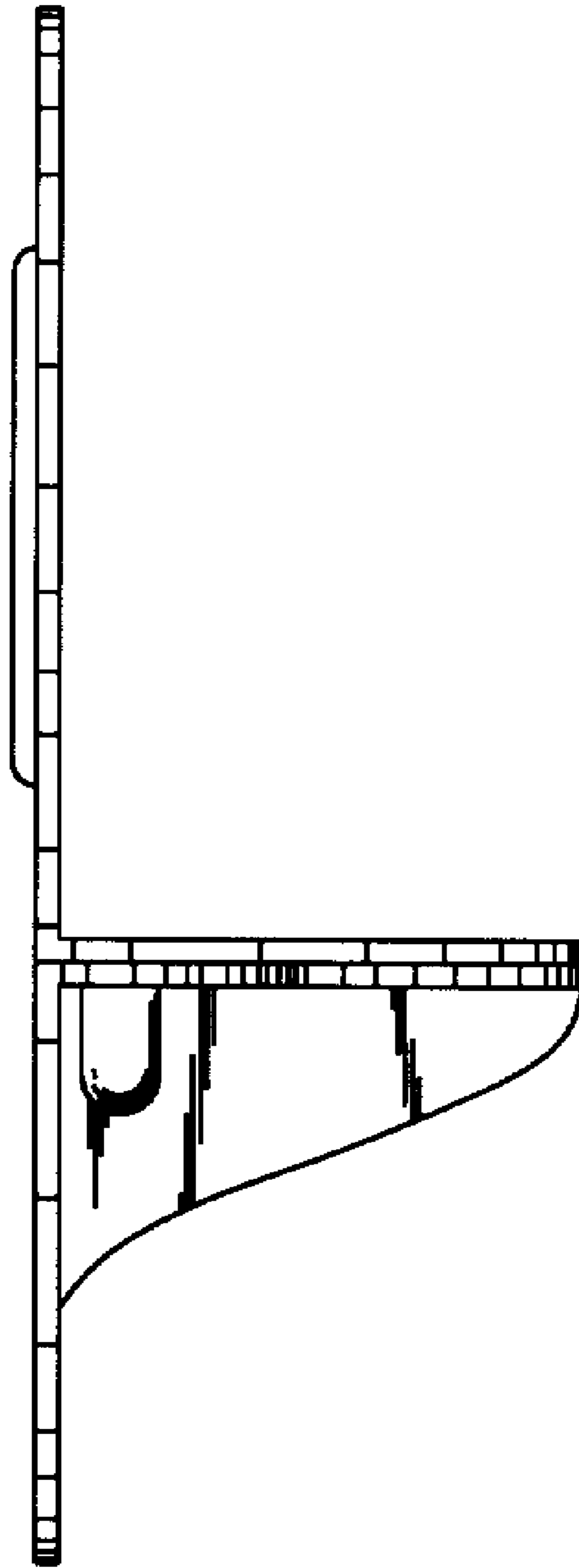


FIG. 6