



US00D441233S

(12) **United States Design Patent**  
**Moore**

(10) **Patent No.:** **US D441,233 S**

(45) **Date of Patent:** **\*\* May 1, 2001**

(54) **TOOTHBRUSH-TUMBLER HOLDER**

(75) **Inventor:** **Glenn David Moore**, Newfoundland,  
NJ (US)

(73) **Assignee:** **Melard Manufacturing Corp.**, Passaic,  
NJ (US)

(\*\*) **Term:** **14 Years**

(21) **Appl. No.:** **29/122,646**

(22) **Filed:** **May 2, 2000**

(51) **LOC (7) Cl.** ..... **23-02**

(52) **U.S. Cl.** ..... **D6/531**

(58) **Field of Search** ..... D6/534-540, 528-529,  
D6/531, 524; 248/309.1; 206/77.1; 211/13.1,  
86.01, 88.01, 126.1, 134

(56) **References Cited**

**U.S. PATENT DOCUMENTS**

D. 157,147 \* 2/1950 Hallenscheid ..... D6/535

D. 291,519 \* 8/1987 Chap ..... D6/531  
D. 347,346 \* 5/1994 Shames et al. .... D6/531  
D. 417,992 \* 12/1999 Roth et al. .... D6/531

\* cited by examiner

*Primary Examiner*—Brian N. Vinson

(74) *Attorney, Agent, or Firm*—Edgar A. Zarins; Lloyd D. Doigan

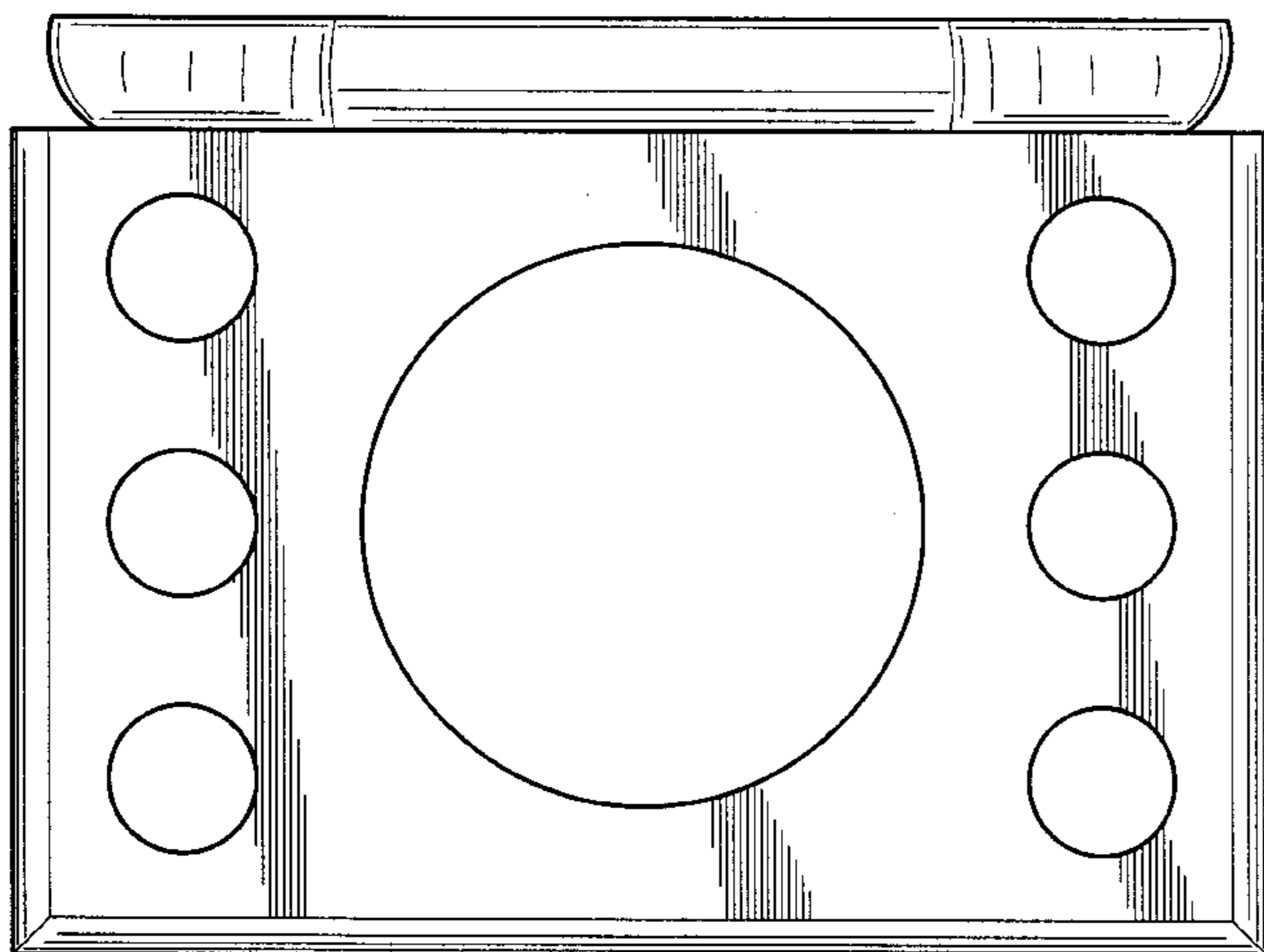
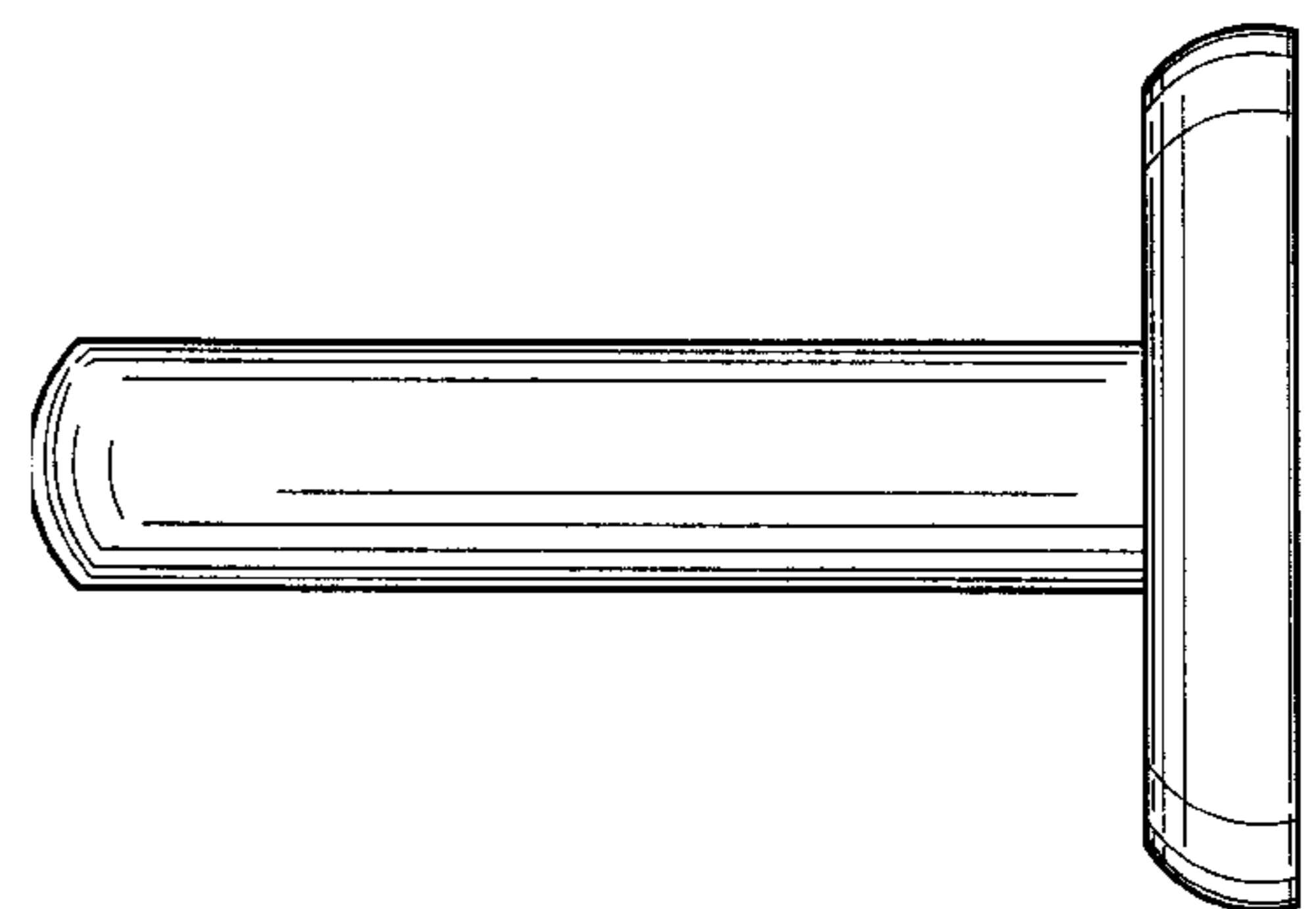
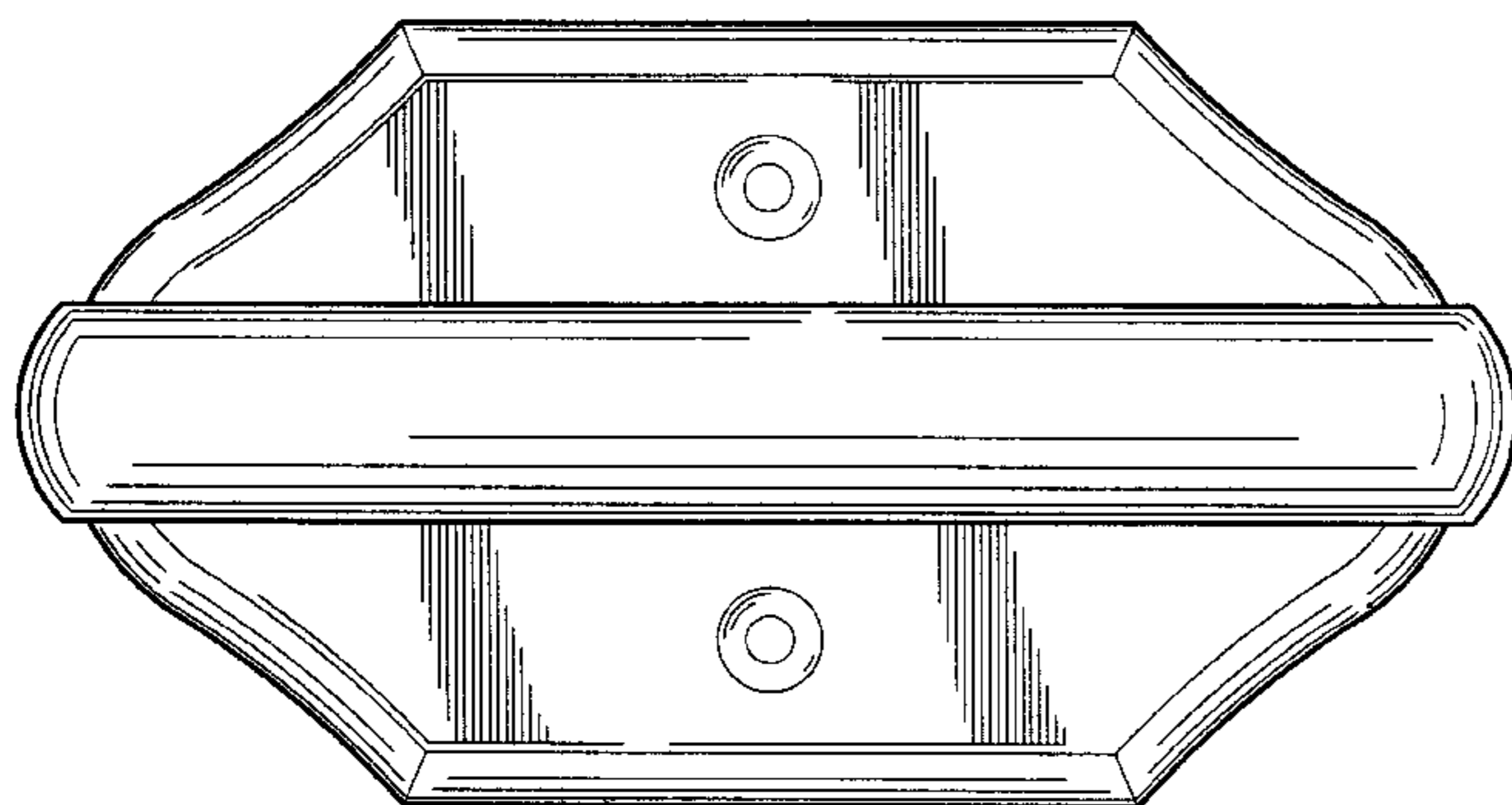
(57) **CLAIM**

The ornamental design for a toothbrush-tumbler holder, as shown and described.

**DESCRIPTION**

FIG. 1 is a front elevational view of a toothbrush-tumbler holder showing my new design; FIG. 2 is a top plan view thereof; FIG. 3 is a left side view thereof, the opposite side being a mirror image of the side shown; and, FIG. 4 is a rear elevational view thereof.

**1 Claim, 2 Drawing Sheets**



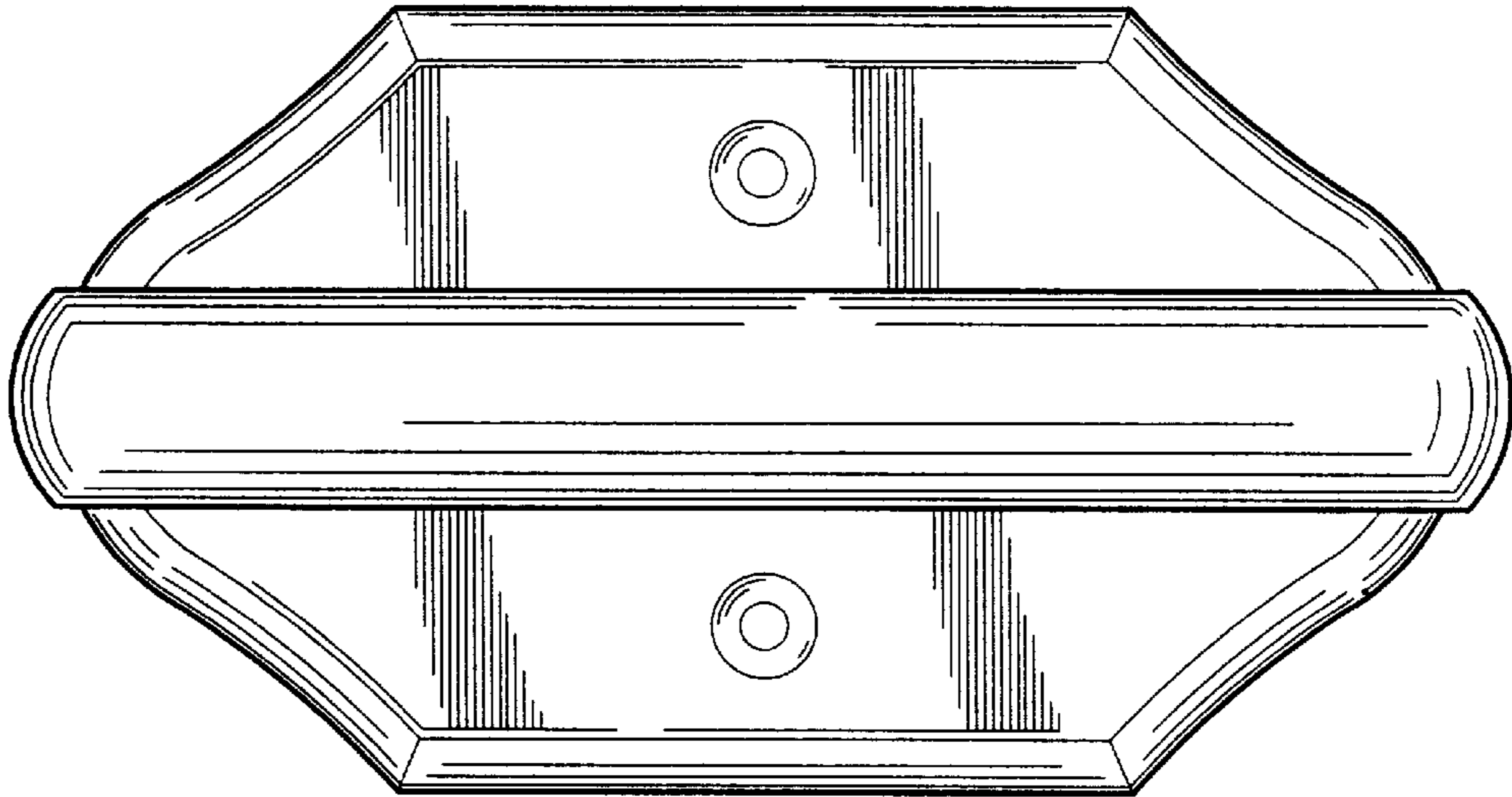


Figure - 1

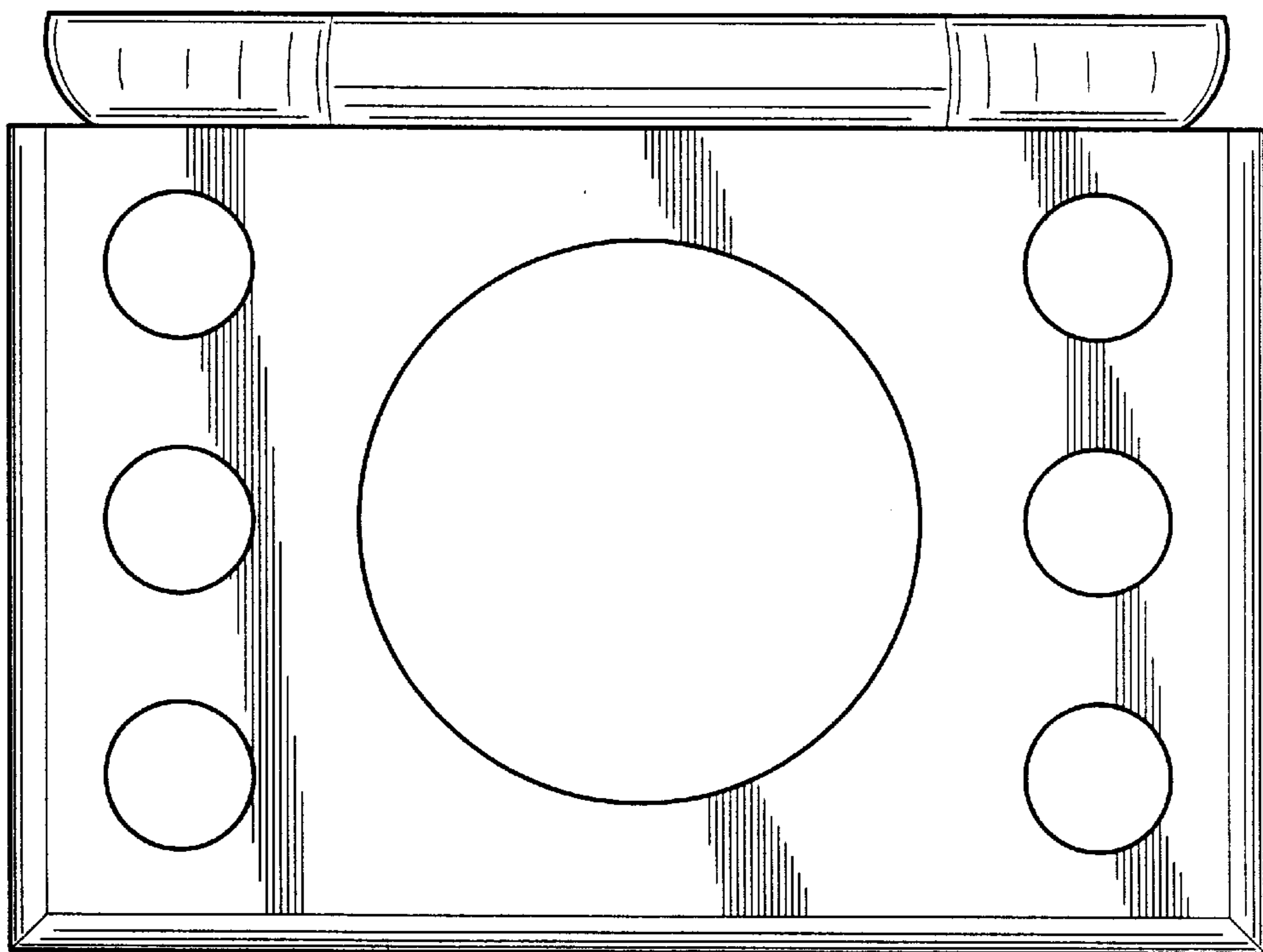


Figure - 2

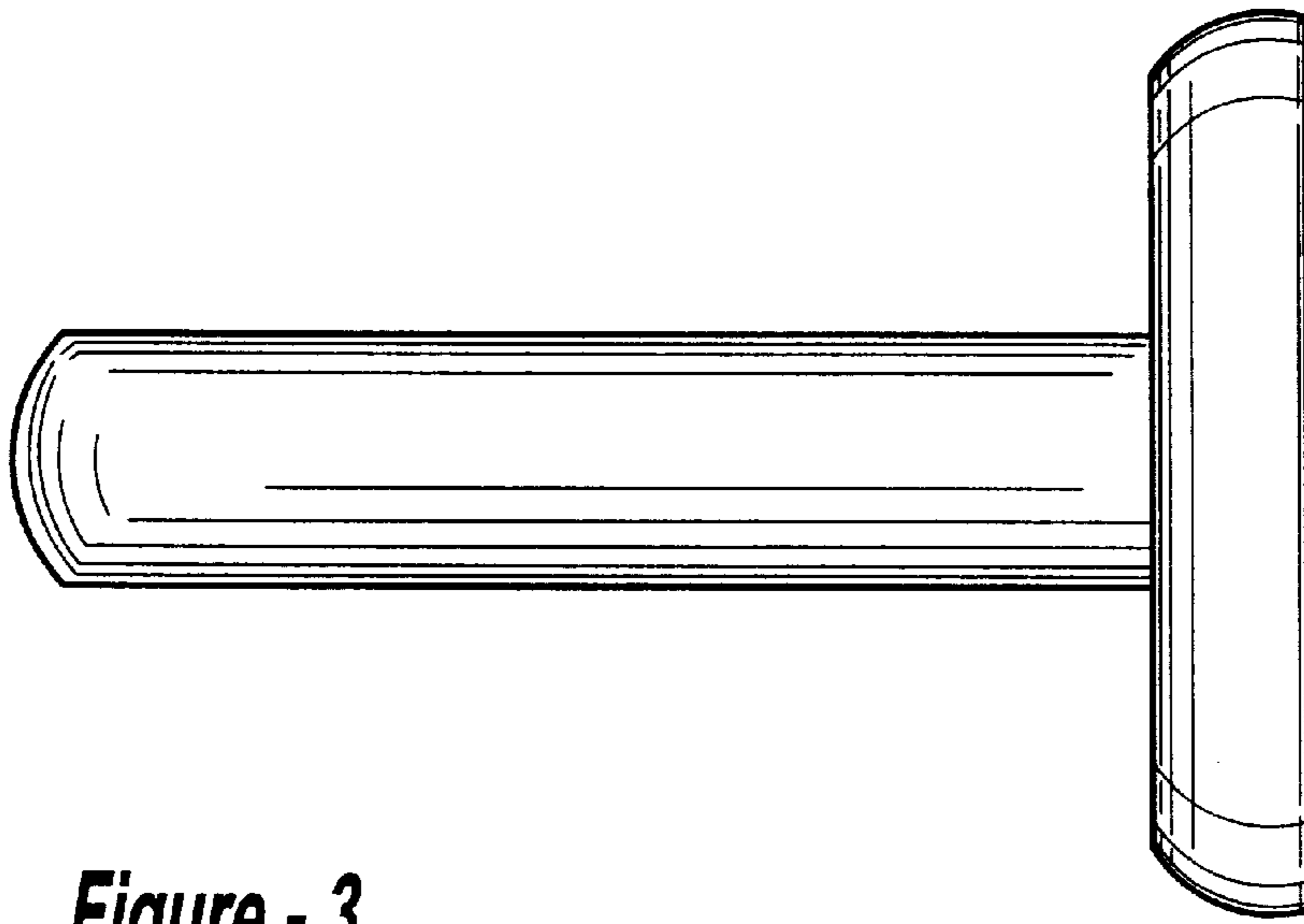


Figure - 3

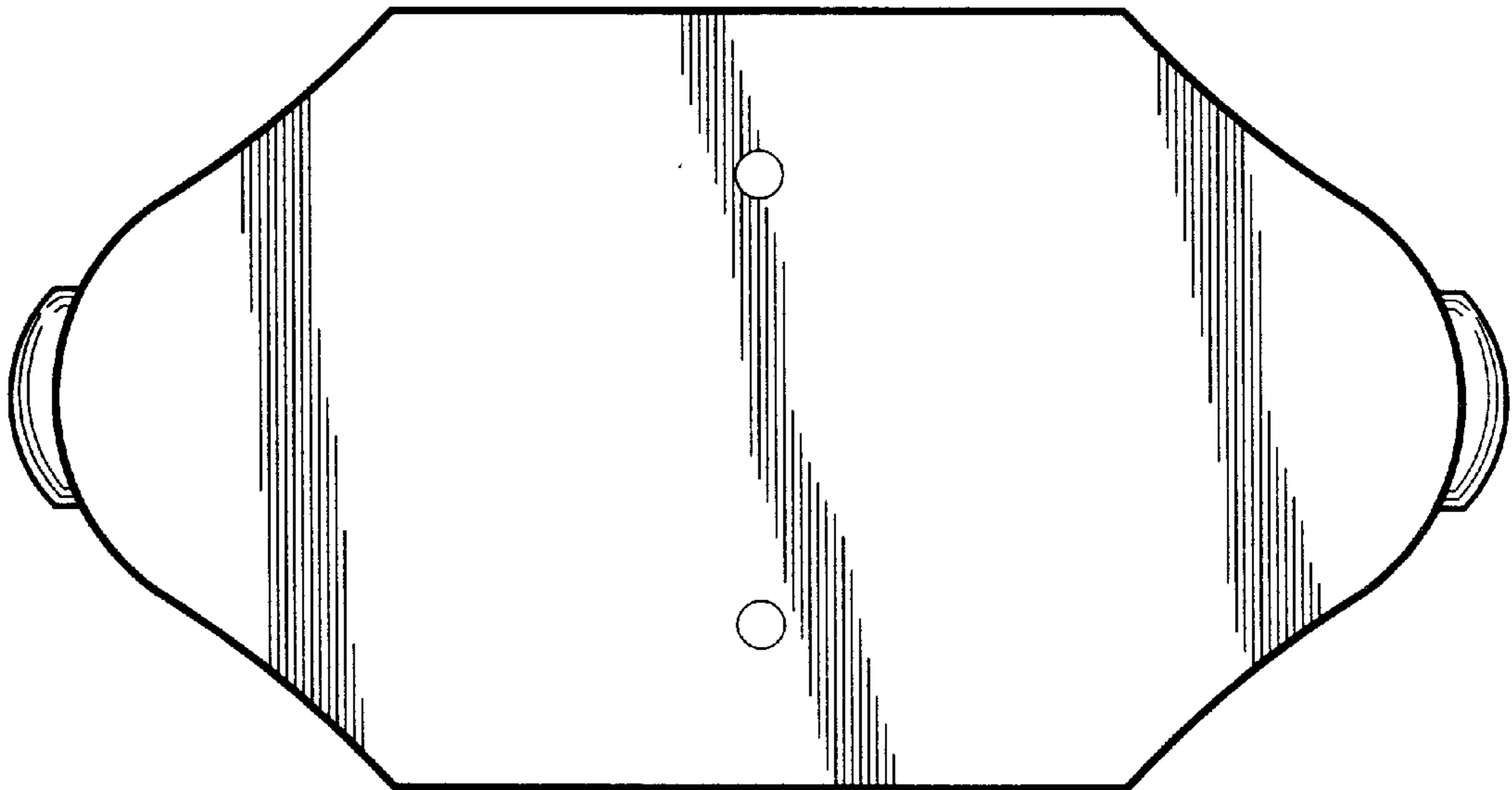


Figure - 4