



US00D441231S

(12) **United States Design Patent**  
**Purcell et al.**

(10) **Patent No.:** **US D441,231 S**

(45) **Date of Patent:** **\*\* May 1, 2001**

(54) **PAPER TOWEL DISPENSER**

(75) Inventors: **Ricky W. Purcell**, Alpharetta; **David W. Kapiloff**, Gainesville, both of GA (US); **Wayne E. Ford, Jr.**, Yardville, NJ (US)

(73) Assignee: **Kimberly-Clark Worldwide, Inc.**, Neenah, WI (US)

(\*\*) Term: **14 Years**

(21) Appl. No.: **29/122,634**

(22) Filed: **May 1, 2000**

(51) **LOC (7) Cl.** ..... **23-02**

(52) **U.S. Cl.** ..... **D6/522**

(58) **Field of Search** ..... D6/515, 518, 521, D6/522, 523; 206/389, 824; 221/26, 33, 282, 283; 242/570; 312/34.1, 34.4, 34.8

4,790,490 12/1988 Chakravorty .  
 4,846,035 7/1989 Granger .  
 4,960,248 10/1990 Bauer et al. .  
 5,048,386 9/1991 DeLuca et al. .  
 5,078,033 1/1992 Formon .  
 5,135,147 8/1992 Granger .  
 5,146,830 9/1992 Granger .  
 5,161,723 11/1992 Wirtz-Odenthal .  
 5,205,454 4/1993 Schutz et al. .  
 5,244,161 9/1993 Wirtz-Odenthal .  
 5,257,711 11/1993 Wirtz-Odenthal .  
 5,318,210 6/1994 Morand .  
 5,335,811 8/1994 Morand .  
 5,441,189 8/1995 Formon et al. .  
 5,549,218 8/1996 Asmussen .  
 5,558,302 9/1996 Jespersion .  
 5,630,526 5/1997 Moody .  
 5,772,291 6/1998 Byrd et al. .  
 5,836,862 11/1998 Granger .  
 5,868,343 2/1999 Granger .  
 5,924,617 7/1999 LaCount et al. .  
 5,937,718 8/1999 Granger .  
 5,967,011 10/1999 Feldkamper et al. .  
 5,975,456 11/1999 Bodkin et al. .  
 5,979,062 11/1999 Prosan .  
 5,979,284 11/1999 Granger .  
 6,012,674 1/2000 Leeuwenburg .  
 6,027,002 2/2000 Granger .

(56) **References Cited**

**U.S. PATENT DOCUMENTS**

D. 293,750 1/1988 Leotta .  
 D. 312,179 11/1990 DeLuca et al. .  
 D. 316,788 \* 5/1991 Fischer et al. .... D6/522  
 D. 332,023 12/1992 Campbell .  
 D. 346,519 \* 5/1994 Krueger et al. .... D6/522  
 D. 347,135 5/1994 Morand .  
 D. 363,628 10/1995 McCanless .  
 D. 398,797 \* 9/1998 Brandenburg et al. .... D6/522  
 D. 421,542 3/2000 Tramontina .  
 D. 426,412 \* 6/2000 Cameron ..... D6/522  
 3,697,146 10/1972 Boisen .  
 3,713,569 1/1973 Dashnier et al. .  
 4,122,738 10/1978 Granger .  
 4,206,858 6/1980 DeLuca et al. .  
 4,213,363 7/1980 Granger .  
 4,307,639 12/1981 DeLuca .  
 4,362,278 12/1982 Hopkinson .  
 4,404,880 9/1983 DeLuca .  
 4,432,261 2/1984 DeLuca .  
 4,441,392 4/1984 DeLuca .  
 4,552,315 11/1985 Granger .  
 4,621,755 11/1986 Granger .  
 4,634,033 1/1987 Lloyd .  
 4,635,837 1/1987 Granger .  
 4,712,461 12/1987 Rasmussen .  
 4,732,306 3/1988 Jespersion .

\* cited by examiner

*Primary Examiner*—Brian N. Vinson  
(74) *Attorney, Agent, or Firm*—Dority & Manning

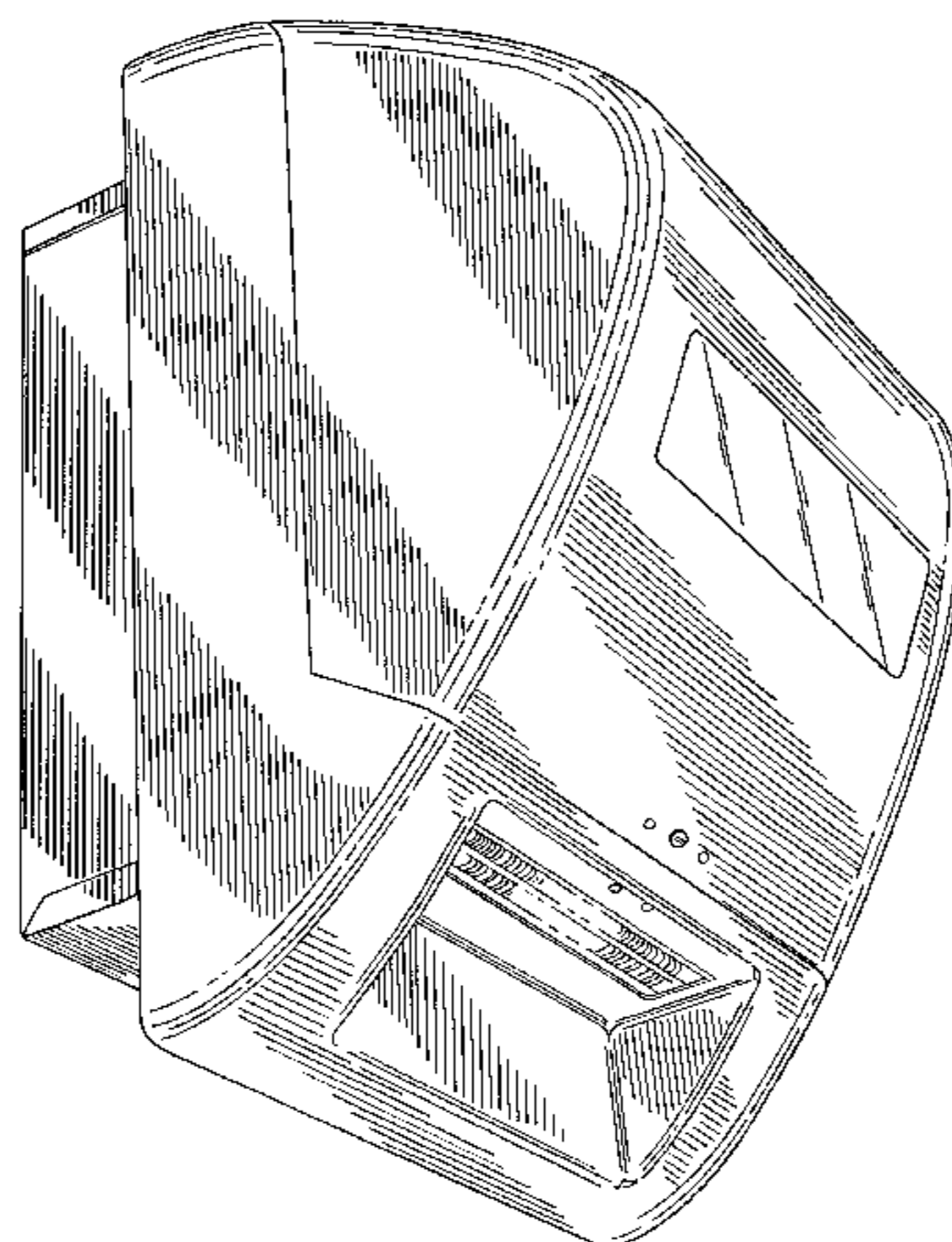
(57) **CLAIM**

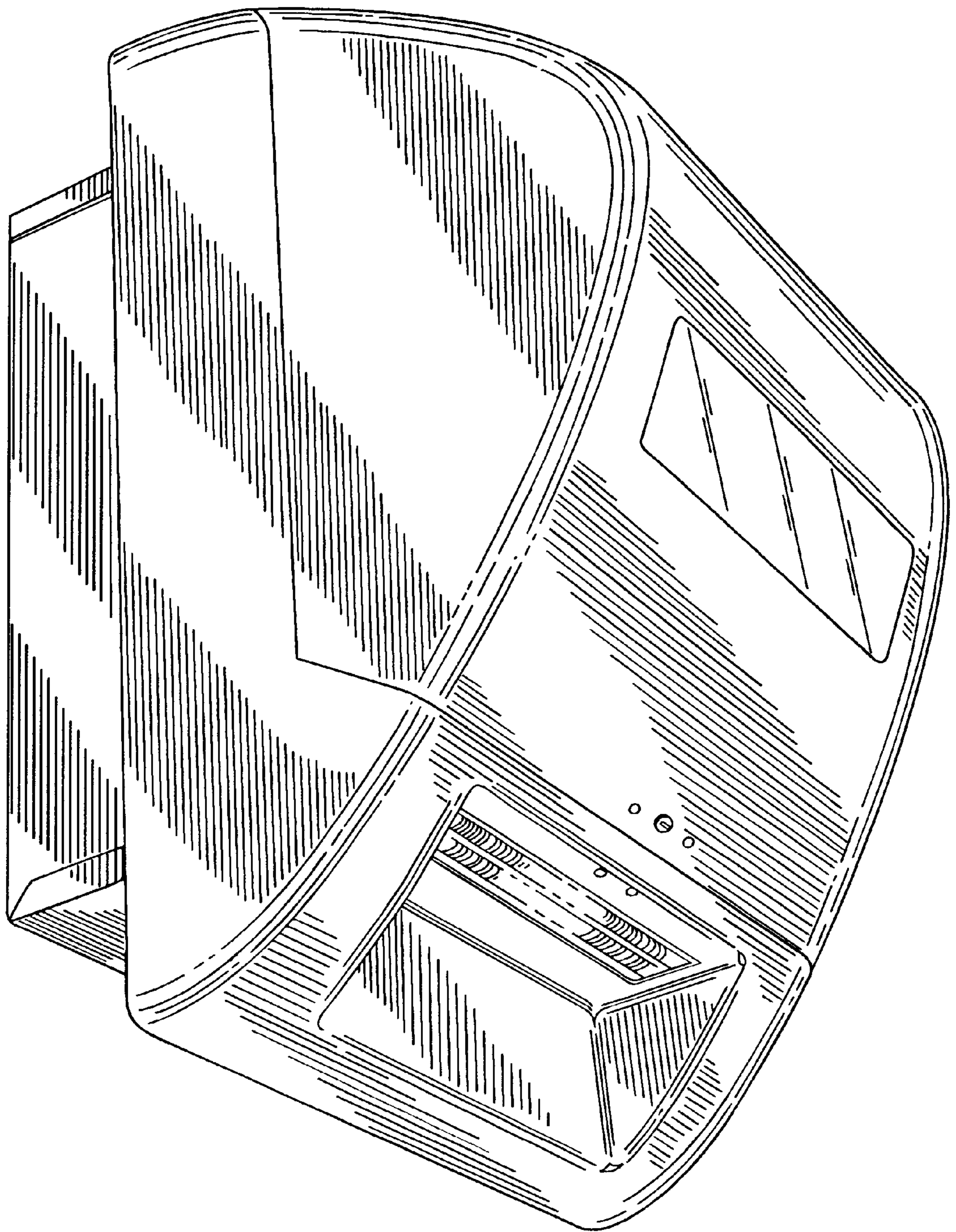
The ornamental design for a paper towel dispenser, as shown and described herein.

**DESCRIPTION**

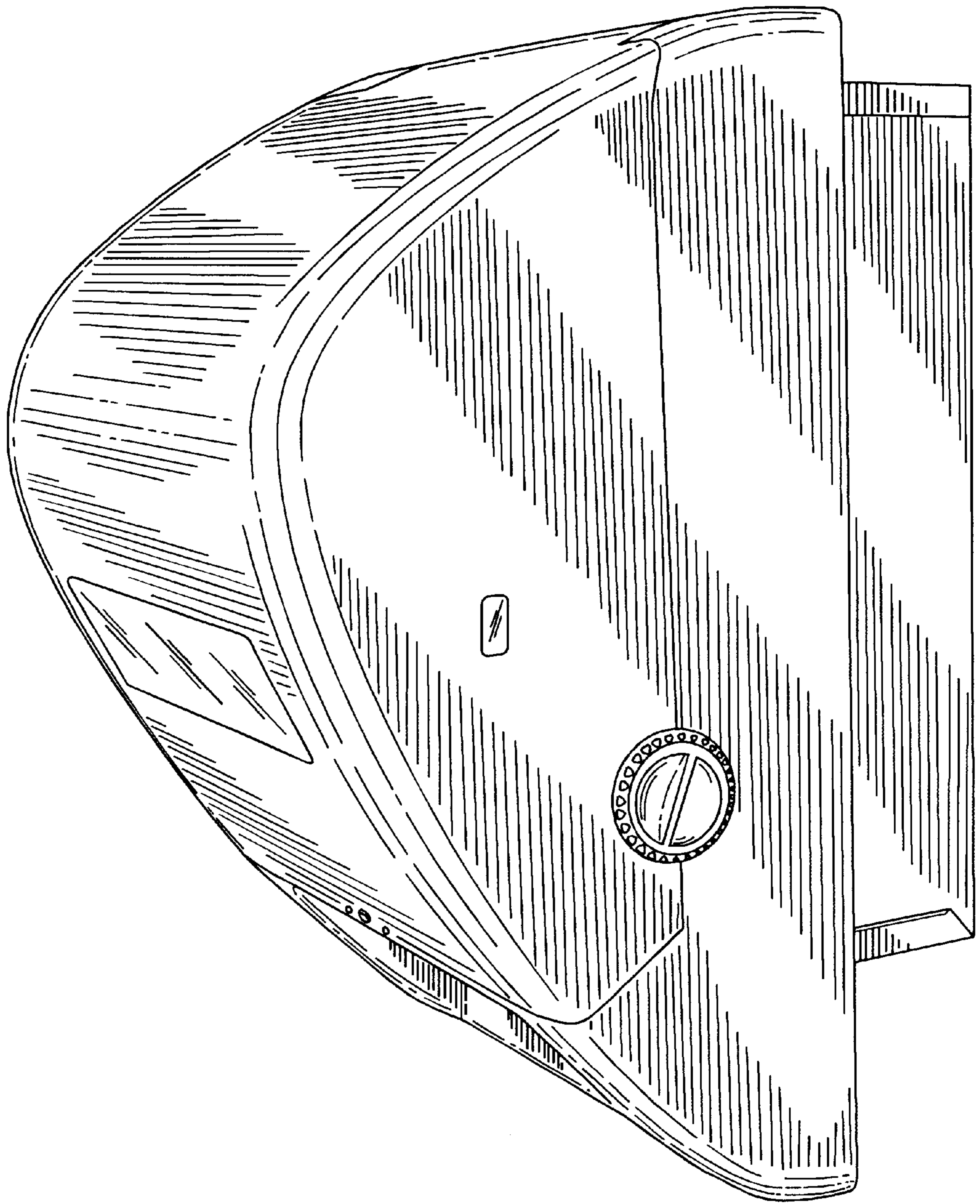
FIG. 1 is a perspective view of the dispenser according to the invention;  
 FIG. 2 is an additional perspective view of the dispenser;  
 FIG. 3 is a side view of the dispenser;  
 FIG. 4 is an opposite side view of the dispenser;  
 FIG. 5 is a top view of the dispenser;  
 FIG. 6 is a bottom view of the dispenser;  
 FIG. 7 is a back side view of the dispenser; and,  
 FIG. 8 is a front view of the dispenser according to the invention.

**1 Claim, 8 Drawing Sheets**

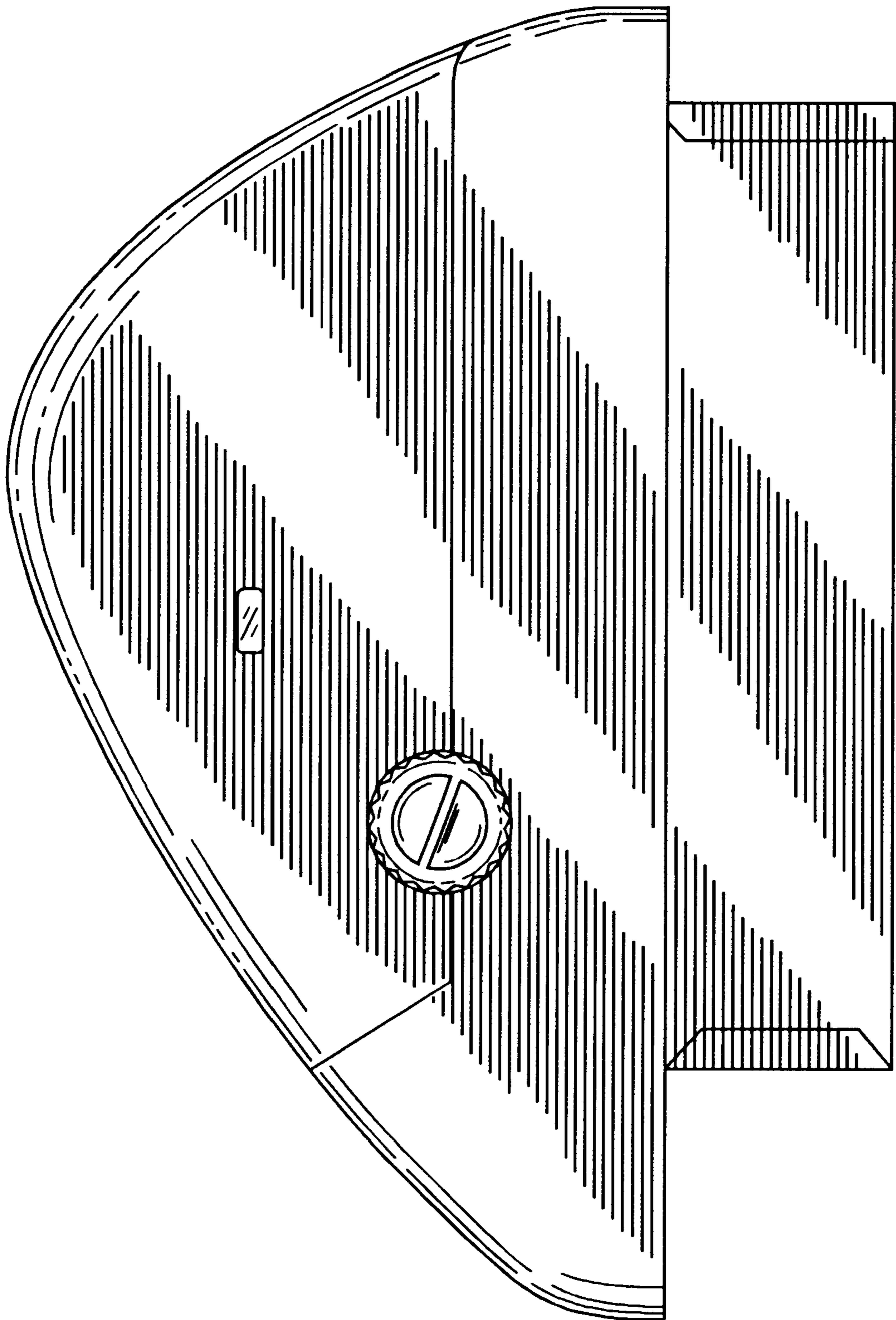




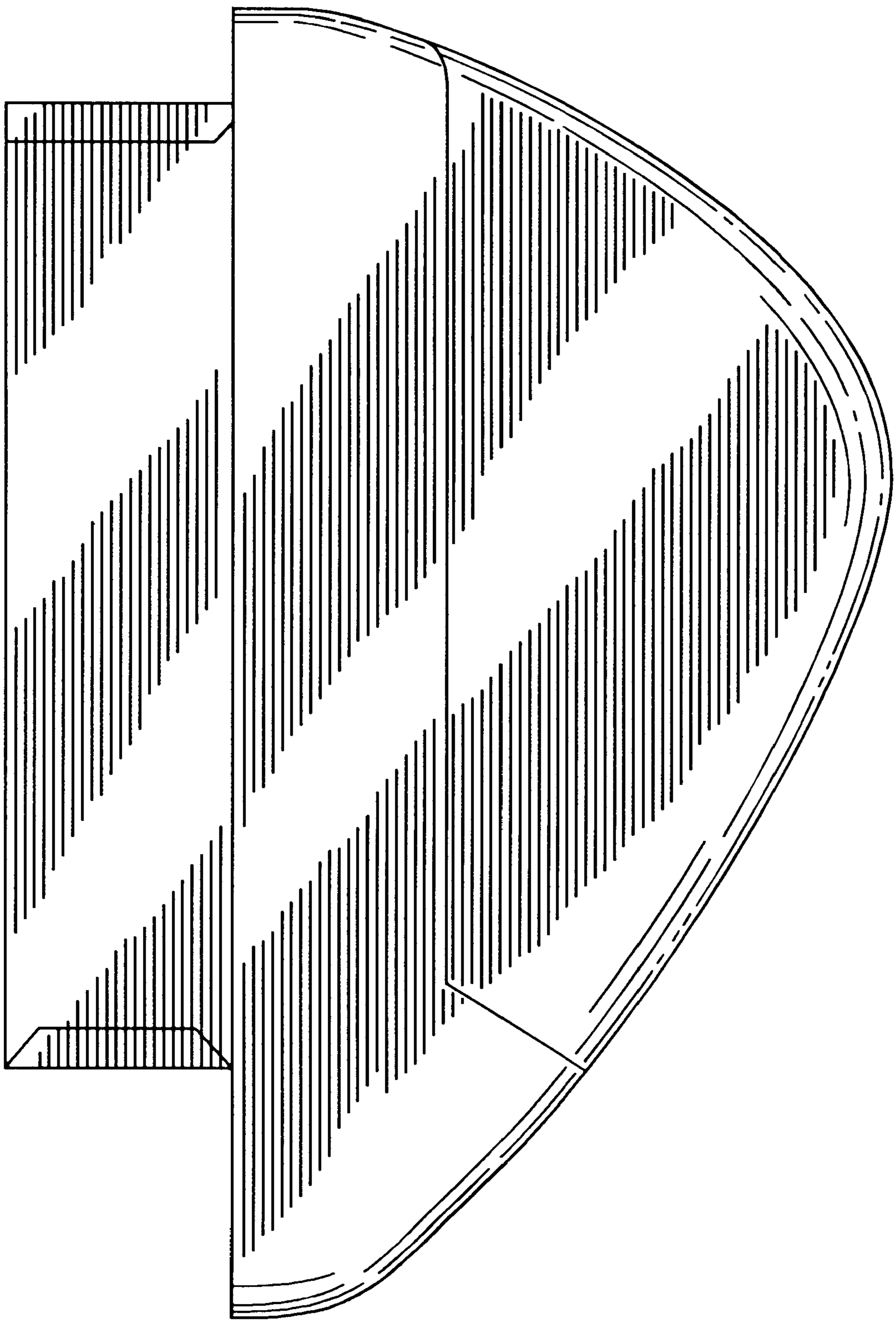
**FIG. 1**



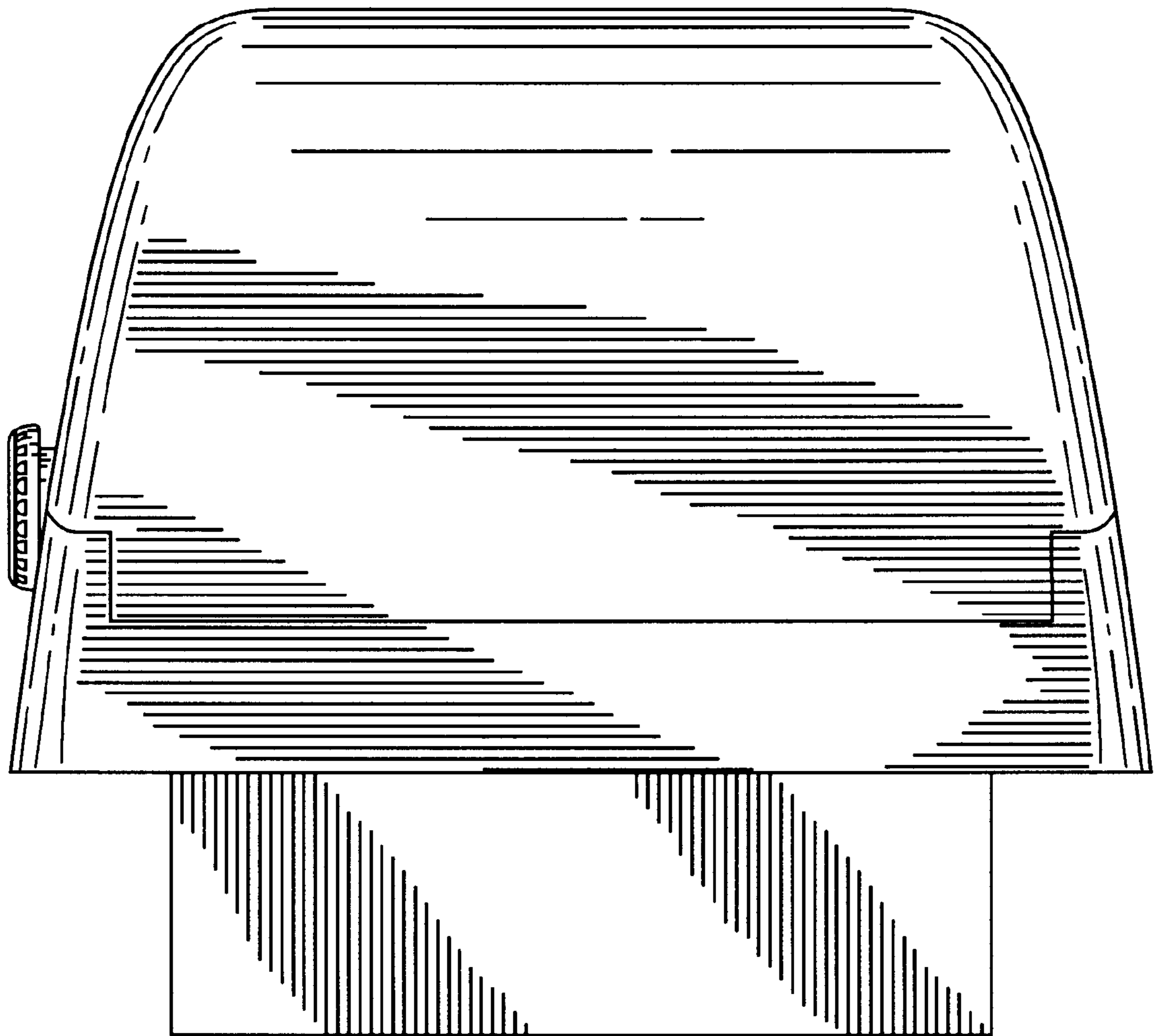
**FIG. 2**



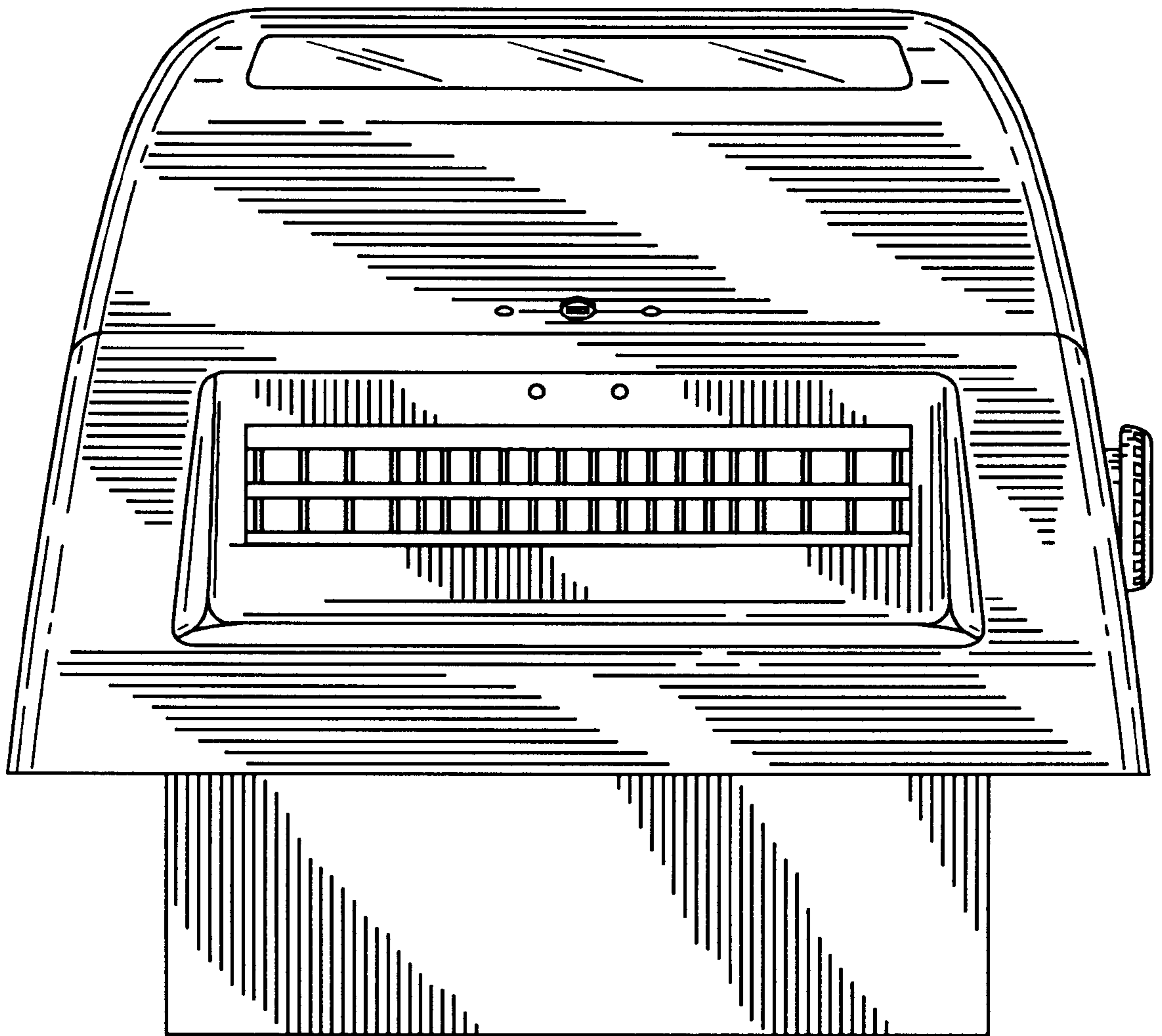
**FIG. 3**



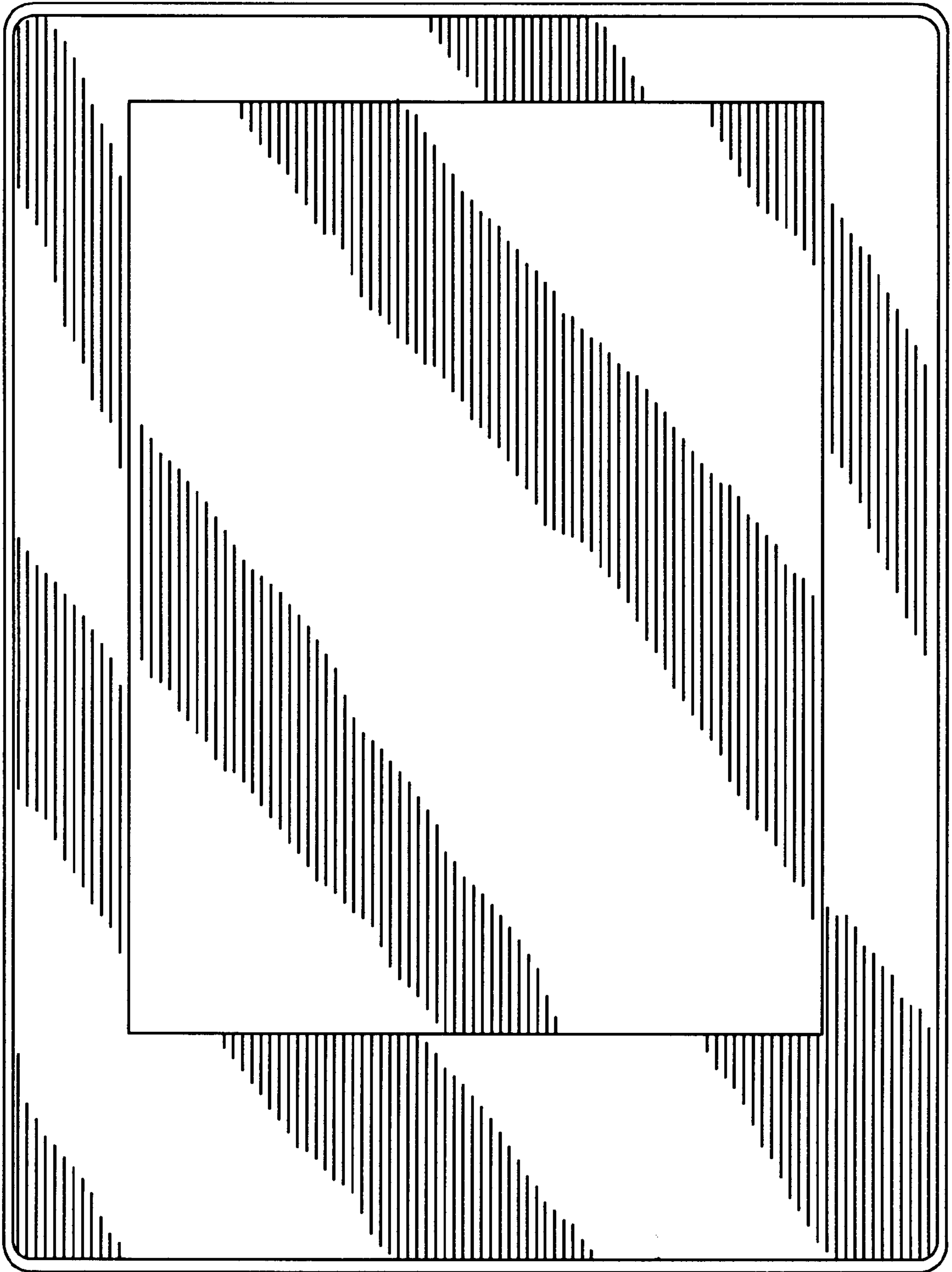
**FIG. 4**



**FIG. 5**

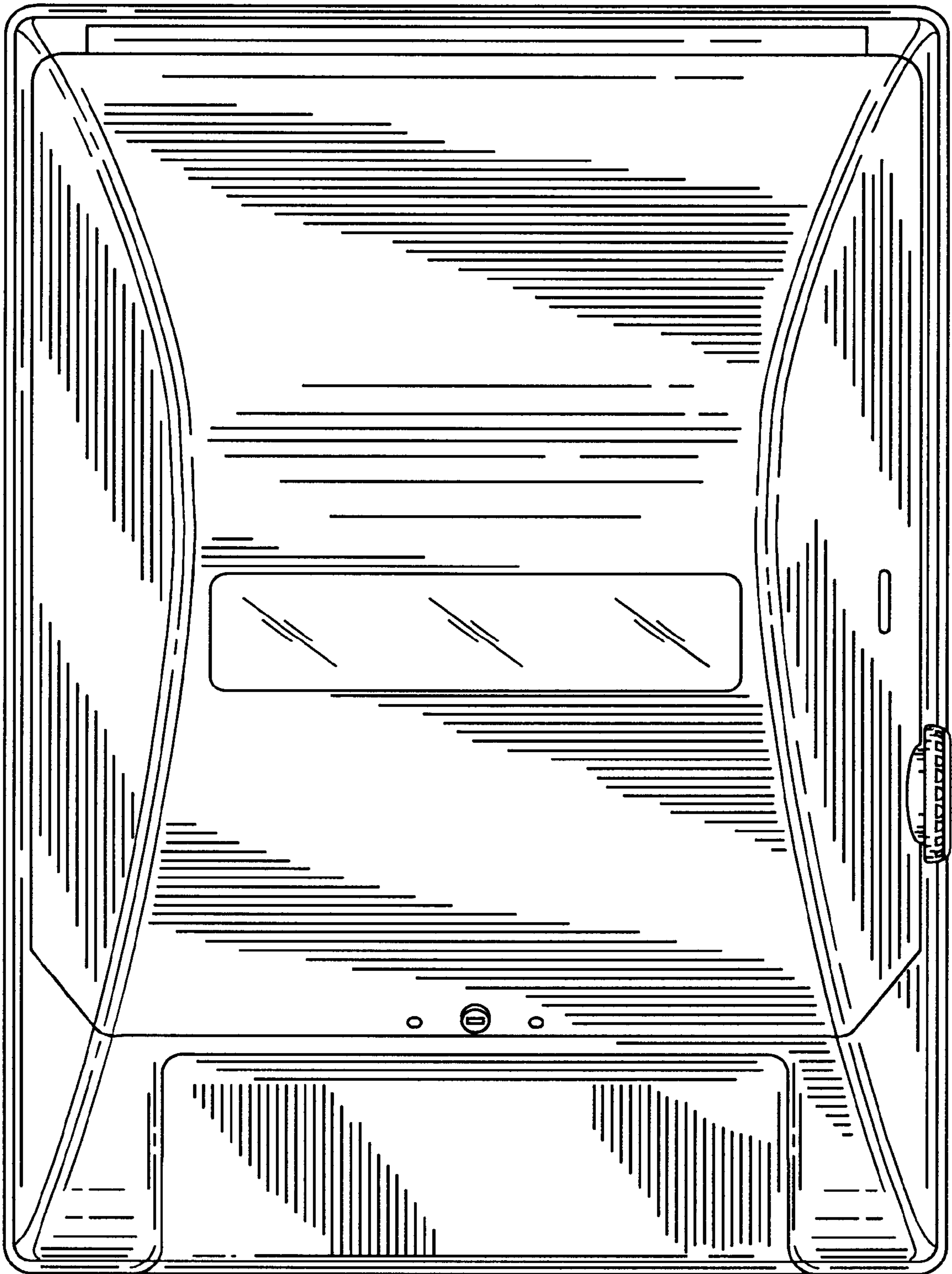


**FIG. 6**



**FIG. 7**





**FIG. 8**