



US00D441229S

(12) **United States Design Patent**
Andersson

(10) **Patent No.:** **US D441,229 S**

(45) **Date of Patent:** **** May 1, 2001**

(54) **PAPER DISPENSER**

(75) Inventor: **Jerker Andersson, Göteborg (SE)**

(73) Assignee: **SCA Hygiene Products AB,**
Gothenburg (SE)

(**) Term: **14 Years**

(21) Appl. No.: **29/130,028**

(22) Filed: **Sep. 27, 2000**

Related U.S. Application Data

(62) Division of application No. 29/114,422, filed on Nov. 24, 1999.

(30) **Foreign Application Priority Data**

May 26, 1999 (SE) 990943
May 26, 1999 (SE) 990950
May 26, 1999 (SE) 990951

(51) **LOC (7) Cl.** **20-02**

(52) **U.S. Cl.** **D6/518**

(58) **Field of Search** D6/518, 521, 522,
D6/523; 206/389, 824; 221/26, 33, 282,
283; 242/570; 312/34.1, 34.4, 34.8

(56) **References Cited**

U.S. PATENT DOCUMENTS

D. 316,788 5/1991 Fischer et al. .

D. 321,803 11/1991 Dawson .
D. 337,679 7/1993 Guigiario .
D. 398,797 9/1998 Brandenburg et al. .
5,772,291 6/1998 Byrd et al. .
5,868,275 2/1999 Moody .

Primary Examiner—Brian N. Vinson
(74) *Attorney, Agent, or Firm*—Burns, Doane, Swecker & Mathis, L.L.P.

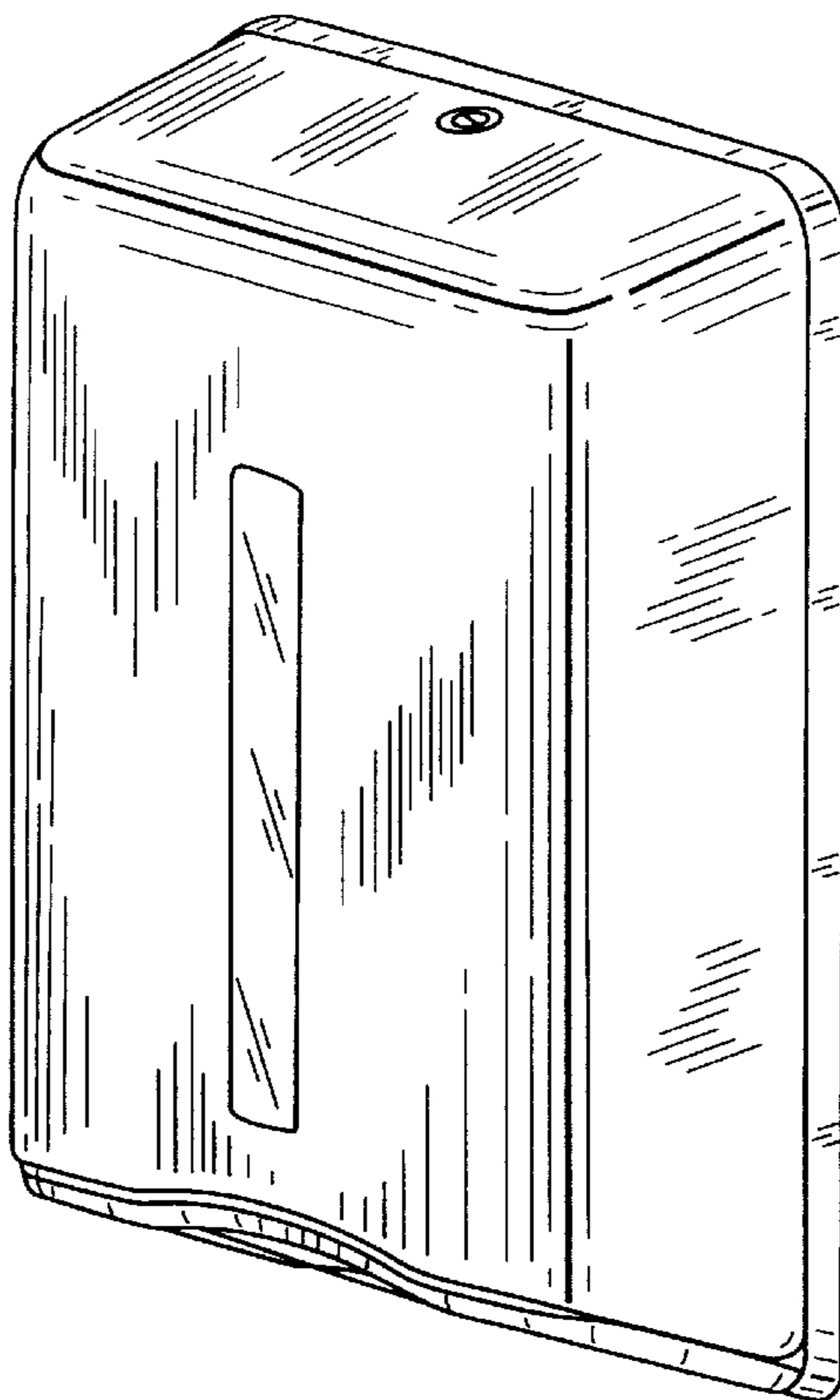
(57) **CLAIM**

The ornamental design for a paper dispenser, as shown and described.

DESCRIPTION

FIG. 1 is a front, side perspective view of a paper dispenser showing my new design;
FIG. 2 is a side perspective view thereof, with the casing portion being shown in an open position;
FIG. 3 is a rear perspective view of the casing portion of the paper dispenser shown in FIG. 1, with the wall mounting portion being removed for clarity;
FIG. 4 is a front, side perspective view of the wall mounting portion of the paper dispenser shown in FIG. 1, with the casing portion being removed for clarity;
FIG. 5 is a bottom perspective view thereof;
FIG. 6 is a top perspective view thereof; and,
FIG. 7 is a rear perspective view thereof.

1 Claim, 4 Drawing Sheets



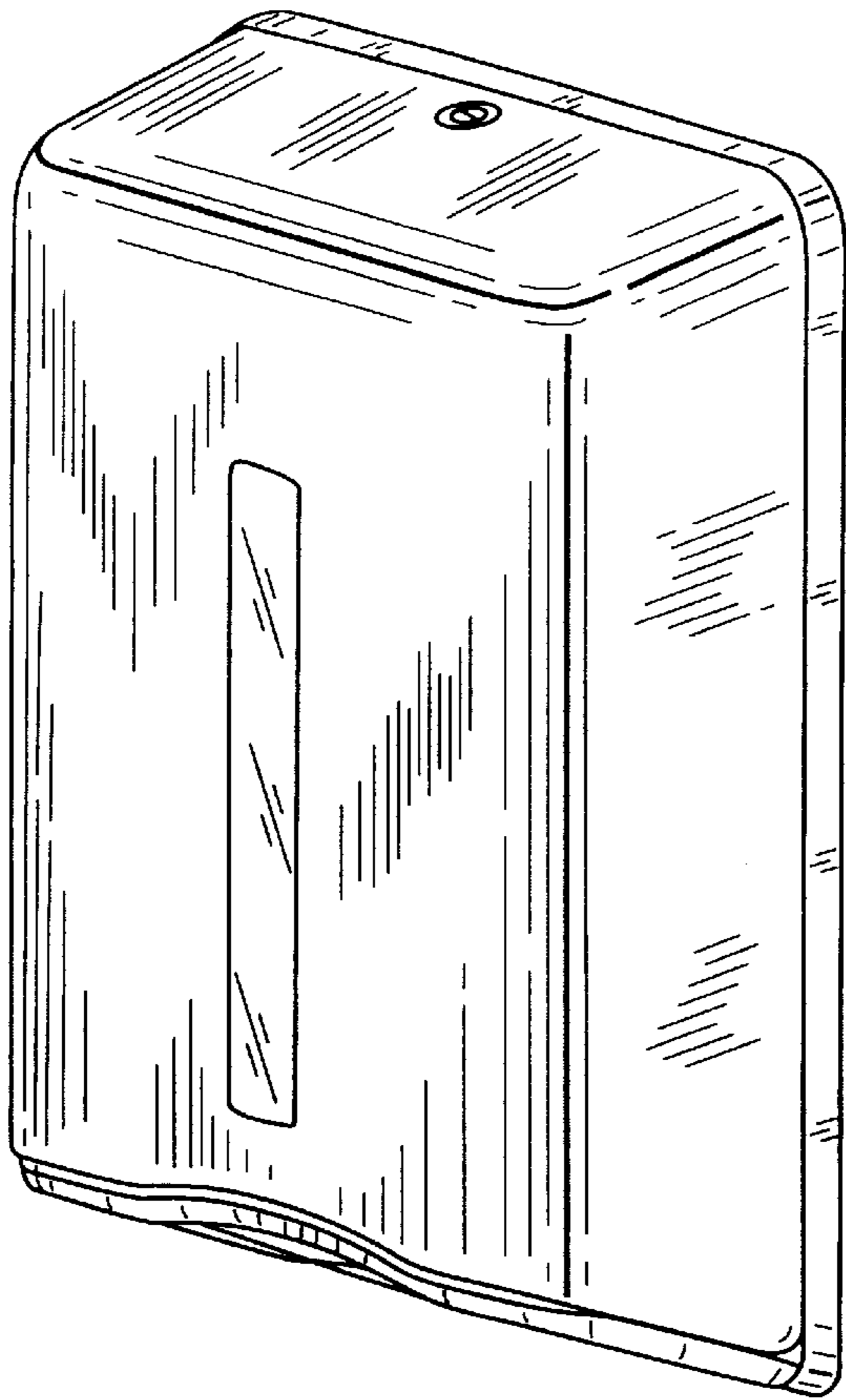


FIG. 1

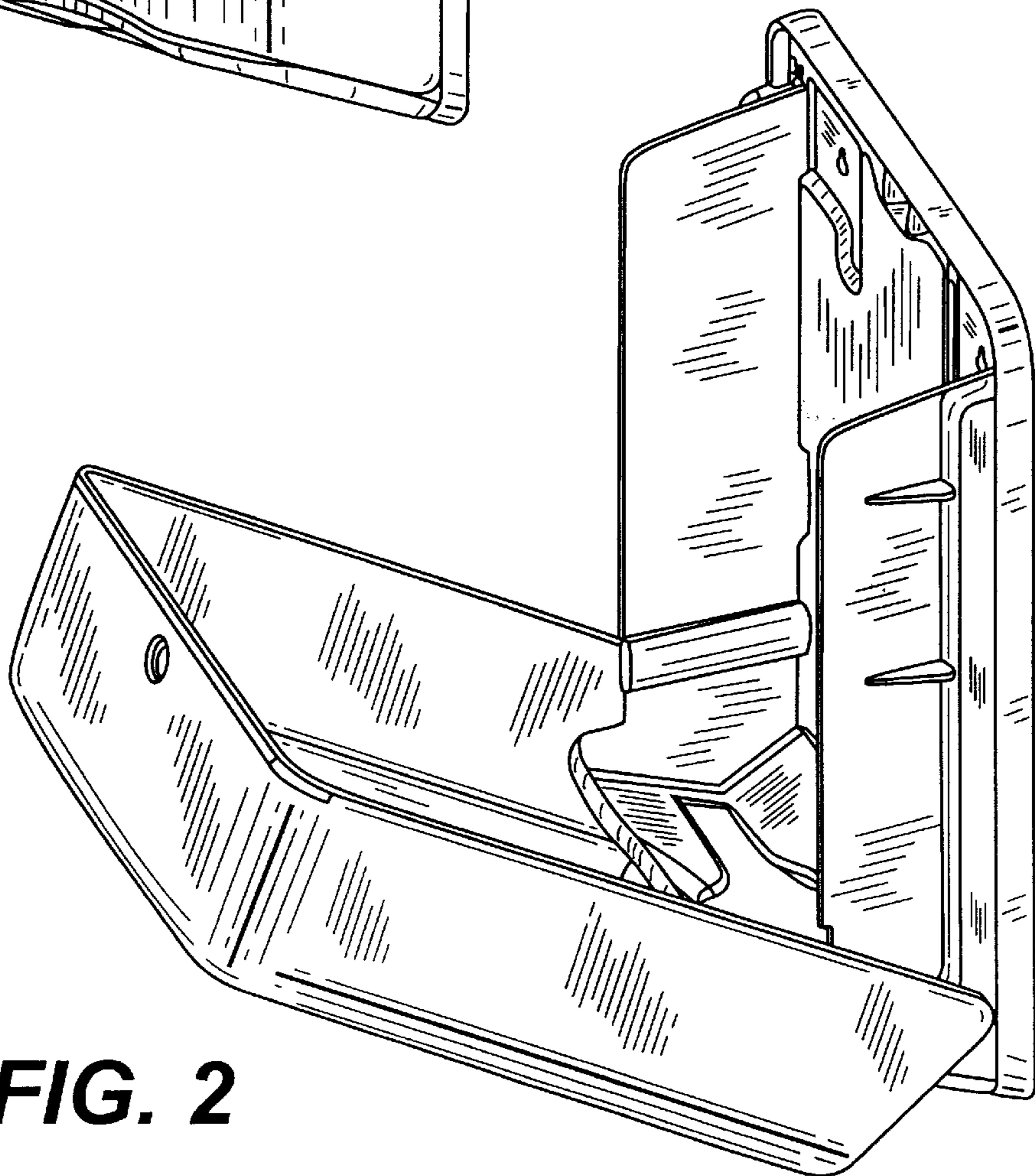


FIG. 2

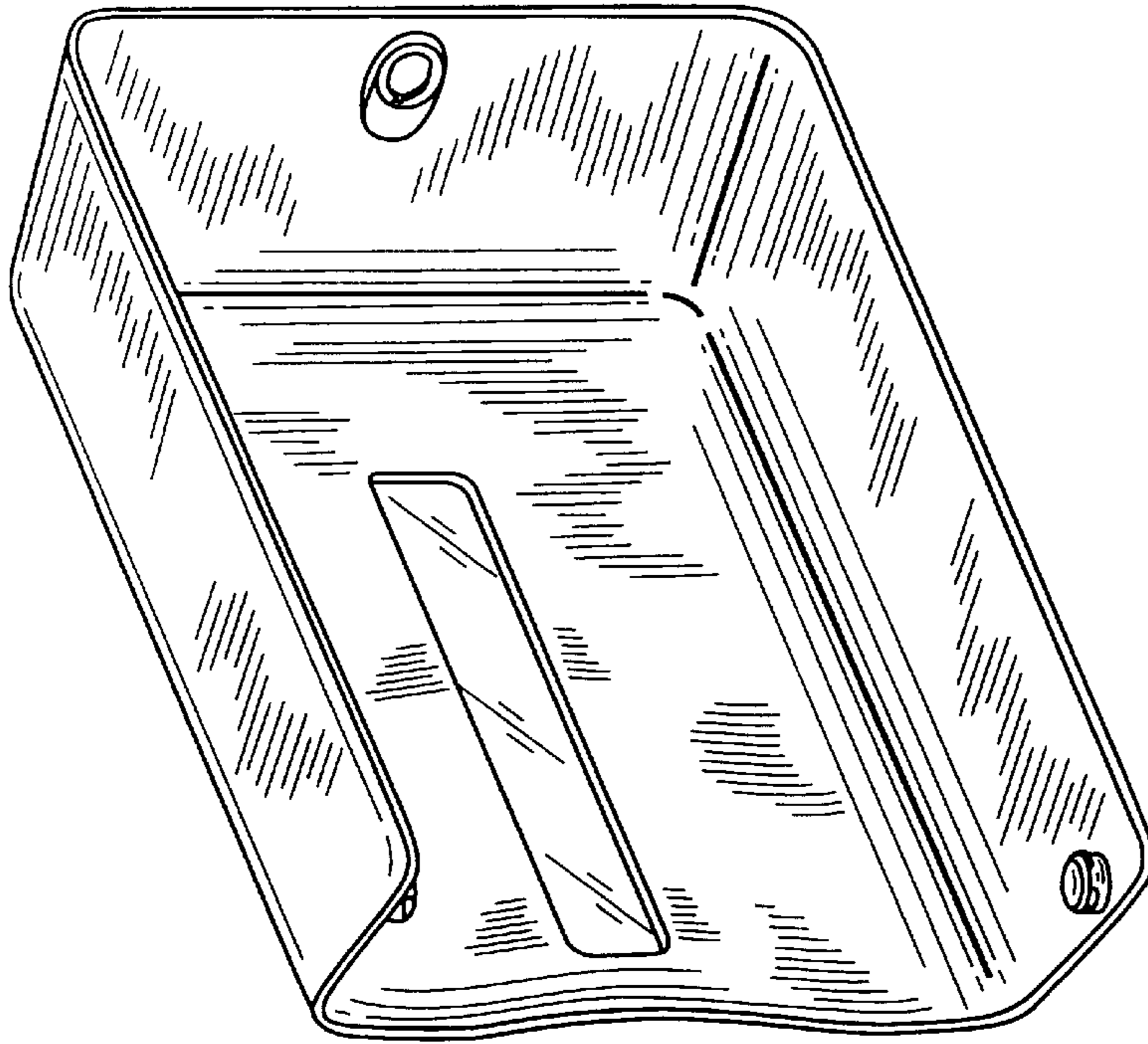


FIG. 3

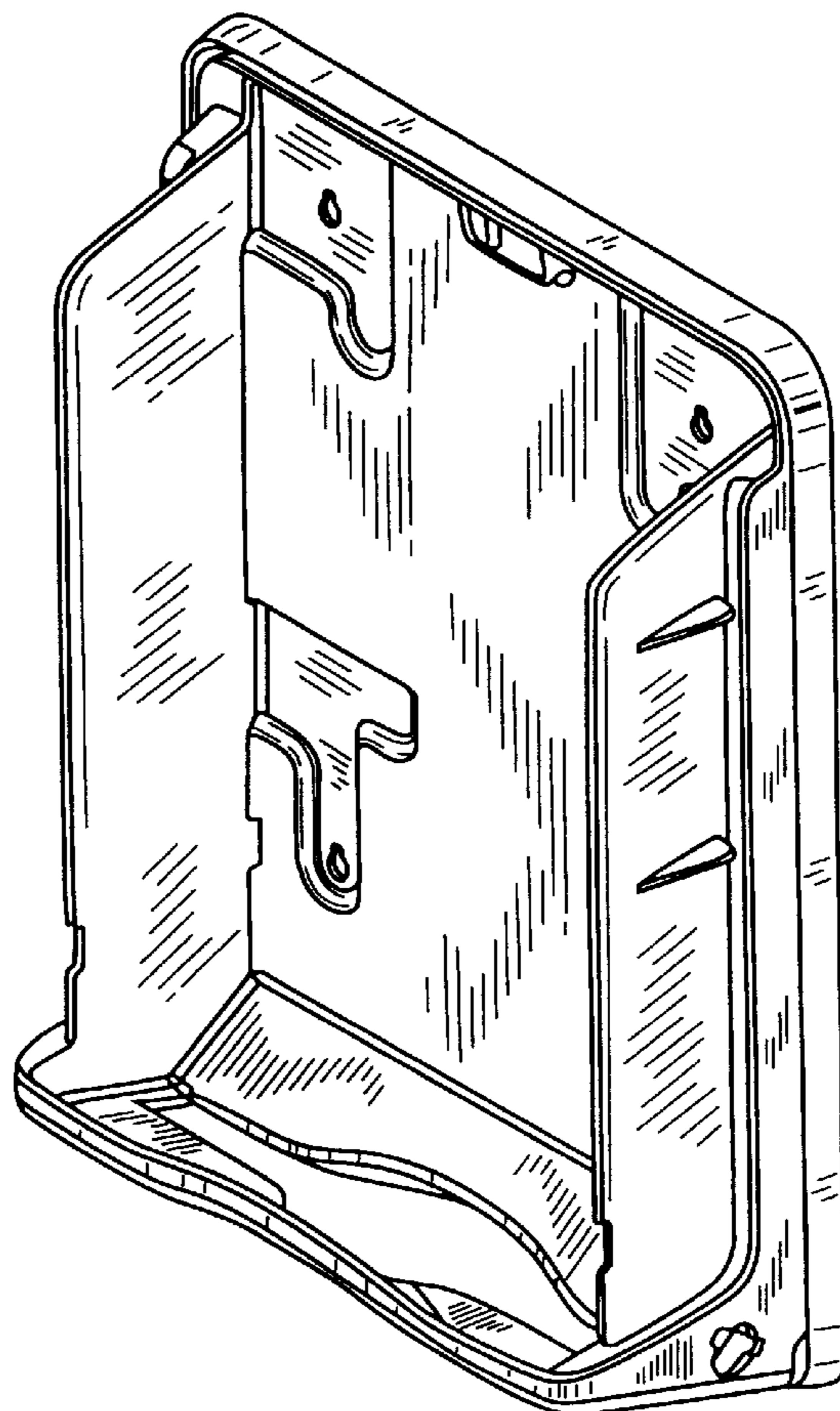


FIG. 4

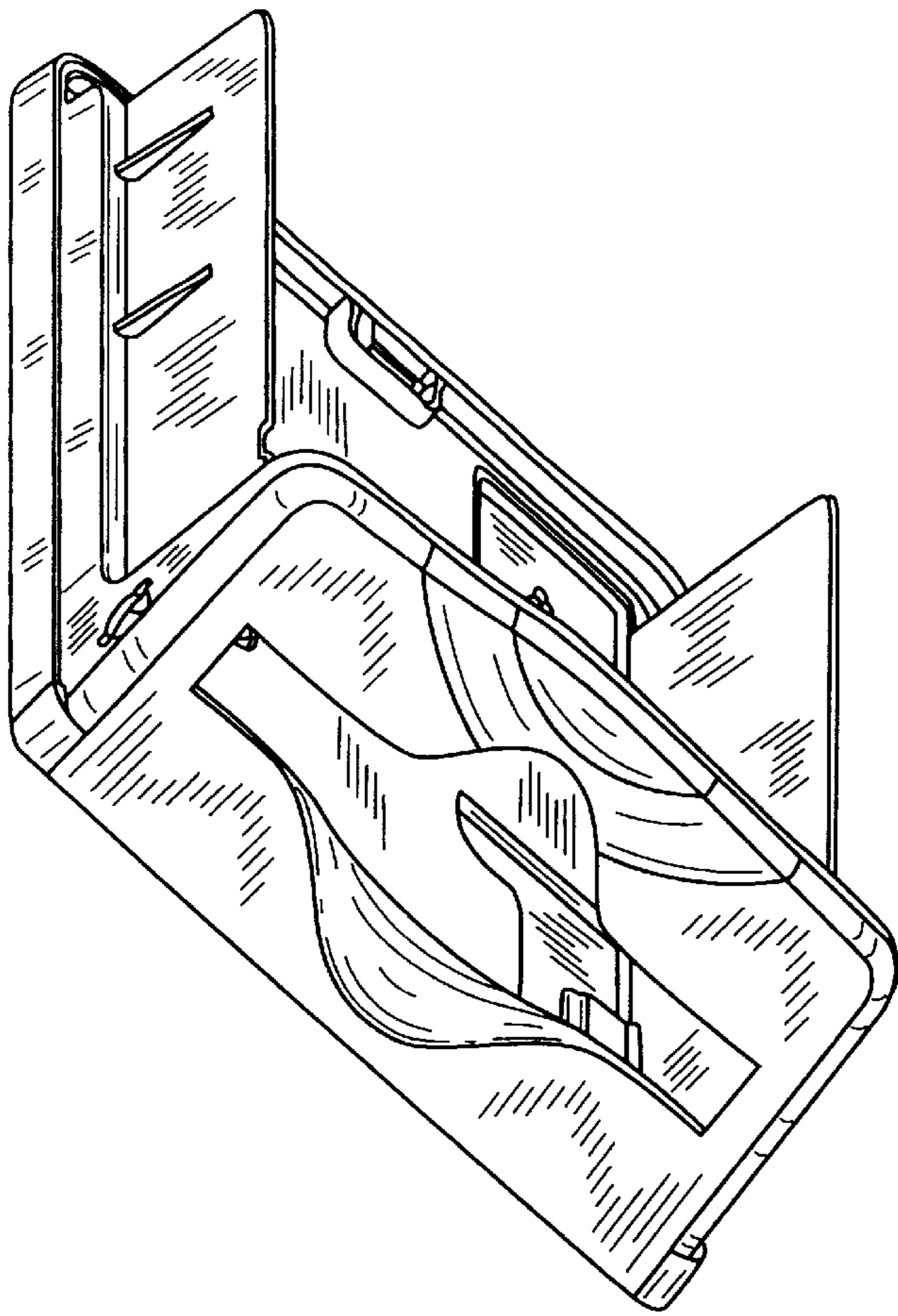


FIG. 5

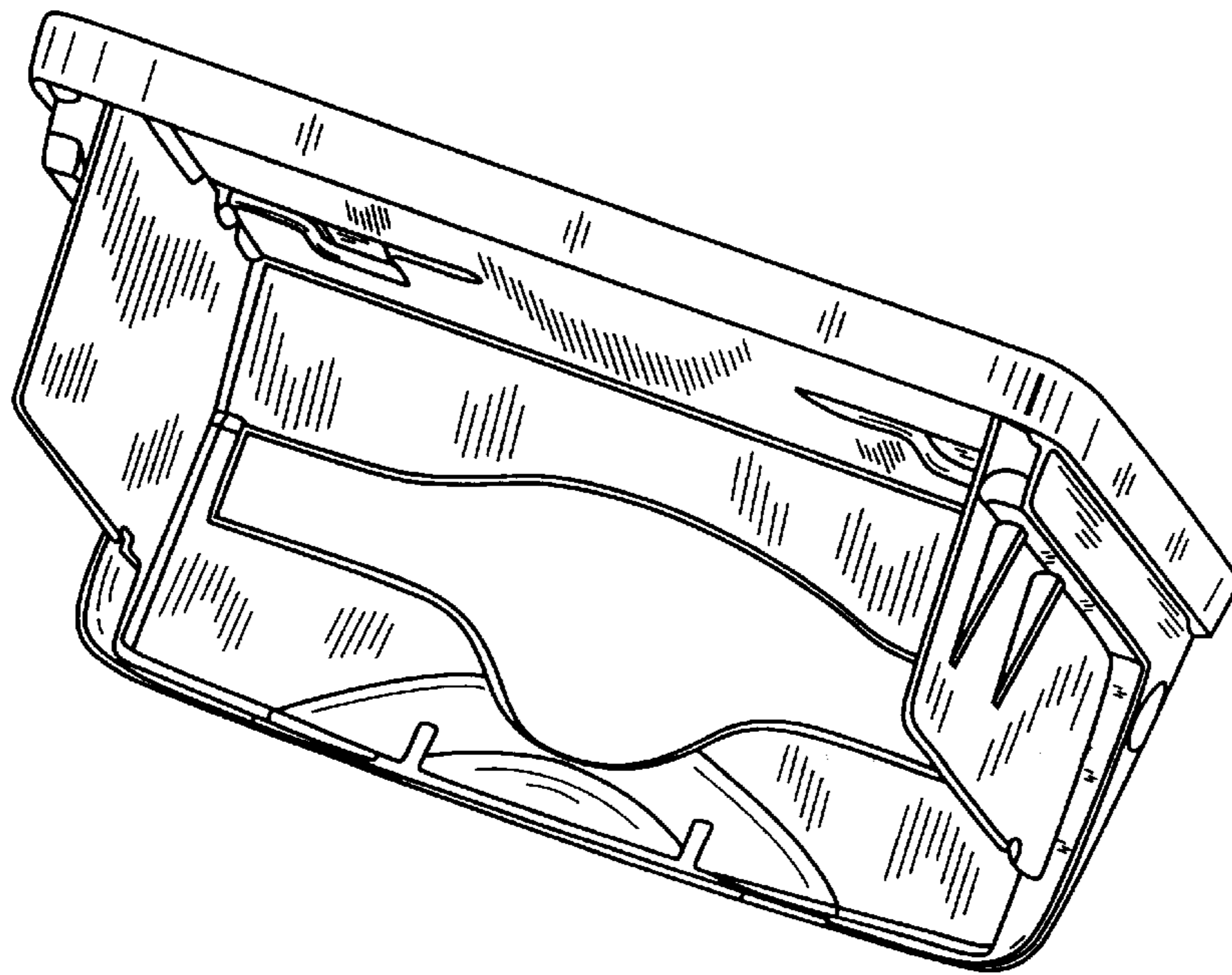


FIG. 6

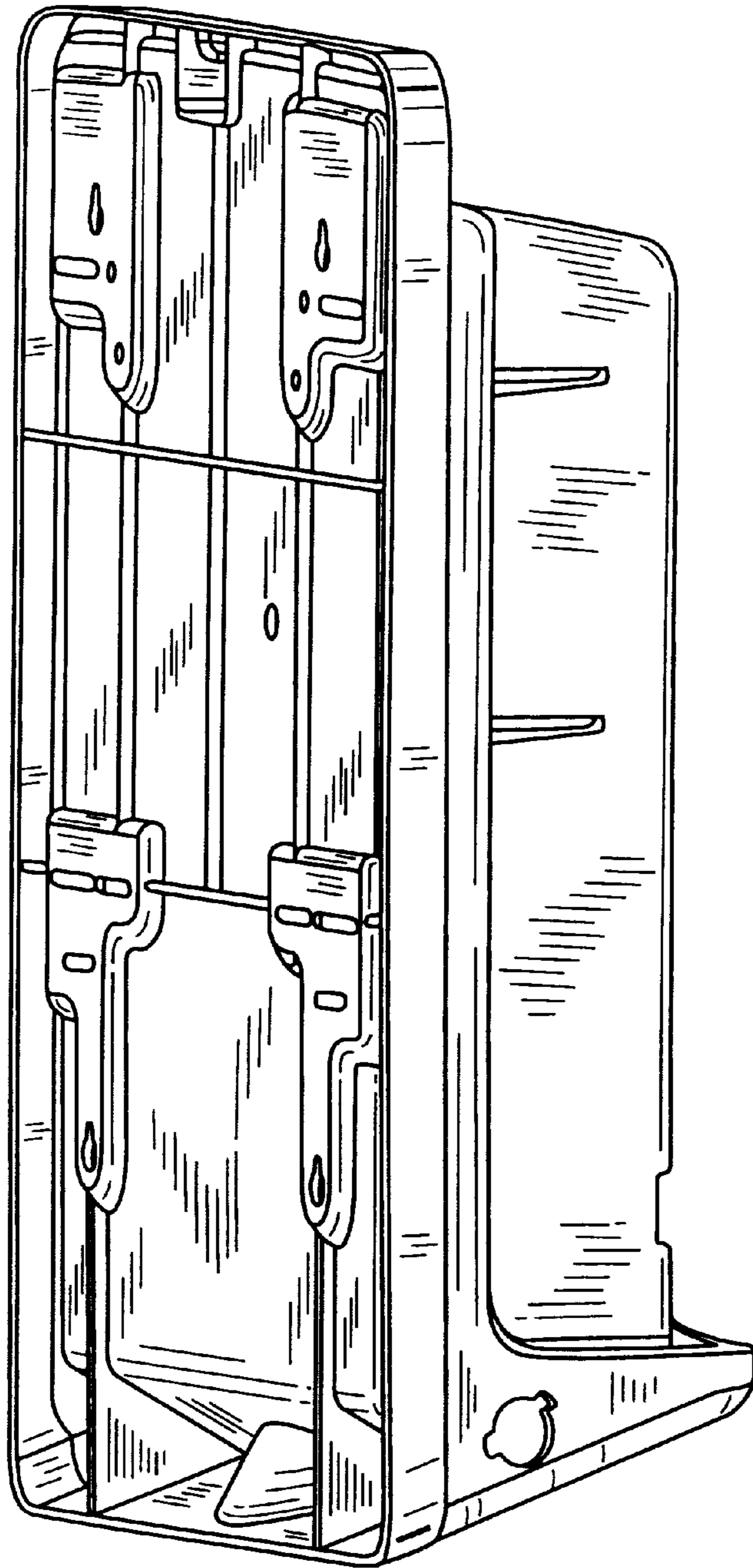


FIG. 7