



US00D441226S

(12) **United States Design Patent**  
**Morrow et al.**

(10) **Patent No.:** **US D441,226 S**

(45) **Date of Patent:** **\*\* May 1, 2001**

(54) **FURNITURE ELEMENT**

(75) Inventors: **David P Morrow; Brent J Camfferman**, both of Winnipeg (CA)

(73) Assignee: **Palliser Furniture Ltd.**, Winipeg (CA)

(\*\*) Term: **14 Years**

(21) Appl. No.: **29/110,708**

(22) Filed: **Sep. 10, 1999**

(51) **LOC (7) Cl.** ..... **06-06**

(52) **U.S. Cl.** ..... **D6/509; D6/505; D6/300**

(58) **Field of Search** ..... D6/432, 436, 438, D6/439, 444, 447, 393, 491, 492, 505, 507, 511, 300; 312/114, 204, 224, 352

(56) **References Cited**

**U.S. PATENT DOCUMENTS**

D. 255,746	*	7/1980	Koert	.....	D6/300
D. 354,409	*	1/1995	Tatum et al.	.....	D6/447
D. 384,509	*	10/1997	Bergelin	.....	D6/300
D. 412,073		7/1999	Zaidman	.	
D. 416,710		11/1999	Zaidman	.	
D. 421,541		3/2000	Zaidman	.	
5,484,195	*	1/1996	O'Donnell	.....	312/114 X

\* cited by examiner

*Primary Examiner*—Cathron Brooks

(74) *Attorney, Agent, or Firm*—Clifford W. Browning; Woodard, Emhardt, Naughton, Moriarty & McNett

(57) **CLAIM**

The ornamental design for a furniture element, as shown and described.

**DESCRIPTION**

FIG. 1 is a front view of the furniture element showing a first embodiment of our design;  
FIG. 2 is a top view of the furniture element of FIG. 1;  
FIG. 3 is a right side view of the furniture element of FIG. 1, and the left side view is a mirror image;

FIG. 4 is an enlarged cross-sectional view at 4—4 in FIG. 1;  
FIG. 5 is an enlarged cross-sectional view at 5—5 in FIG. 1;  
FIG. 6 is a front, right side perspective view of the furniture of FIG. 1, and the front left side perspective view is a mirror image;  
FIG. 7 is an enlarged cross-sectional view at 7—7 in FIG. 8;  
FIG. 8 is a front view of furniture showing a second embodiment of our design;  
FIG. 9 is a top view of the furniture of FIG. 8;  
FIG. 10 is a right side view of the furniture of FIG. 8, and the left side view is a mirror image;  
FIG. 11 is an enlarged cross-sectional view at 11—11 in FIG. 8;  
FIG. 12 is a front, right side perspective view of the furniture of FIG. 8, and the front, left side perspective view is a mirror image;  
FIG. 13 is an enlarged cross-sectional view at 13—13 in FIG. 15;  
FIG. 14 is an enlarged cross-sectional view at 14—14 in FIG. 15;  
FIG. 15 is a front view of a headboard showing a third embodiment of our design;  
FIG. 16 is a top view of the headboard of FIG. 15;  
FIG. 17 is a right side view of the headboard of FIG. 15, the left side view is a mirror image;  
FIG. 18 is a front, right side perspective view of the headboard of FIG. 15, and the front, left side perspective view is a mirror image;  
FIG. 19 is a right side view of the mirror of FIG. 21, and the left side view is a mirror image;  
FIG. 20 is a cross-sectional view at 20—20 in FIG. 21;  
FIG. 21 is a front view of a mirror showing a fourth embodiment of our design;  
FIG. 22 is a top view of the mirror of FIG. 21;  
FIG. 23 is an enlarged cross-sectional view at 23—23 in FIG. 21; and,  
FIG. 24 is a front, right side perspective view of the mirror of FIG. 21, and the front, left side perspective view is a mirror image.  
The broken lines shown in the drawings are for illustrative purposes only and form no part of the claimed design.

**1 Claim, 8 Drawing Sheets**

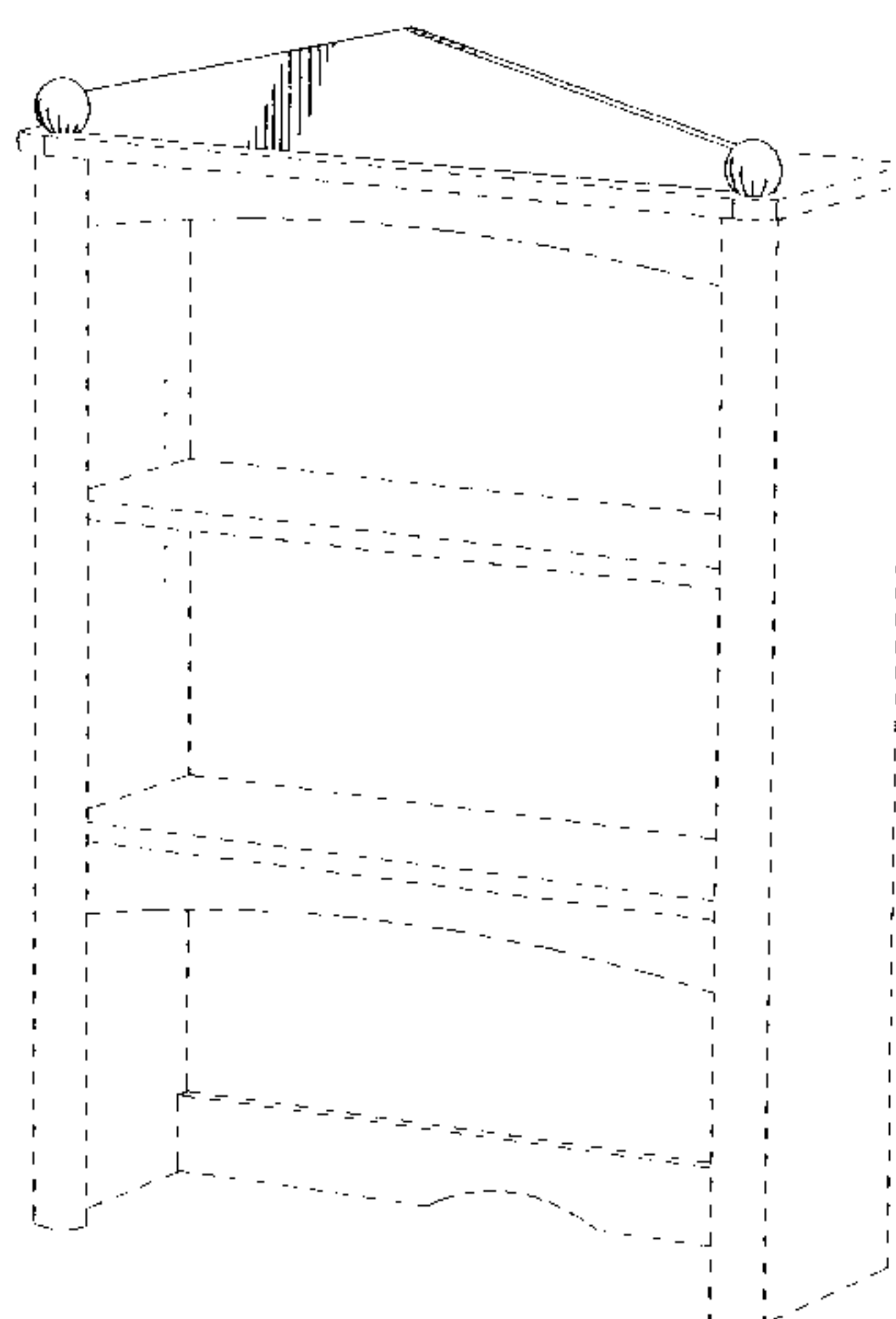


FIG. 2

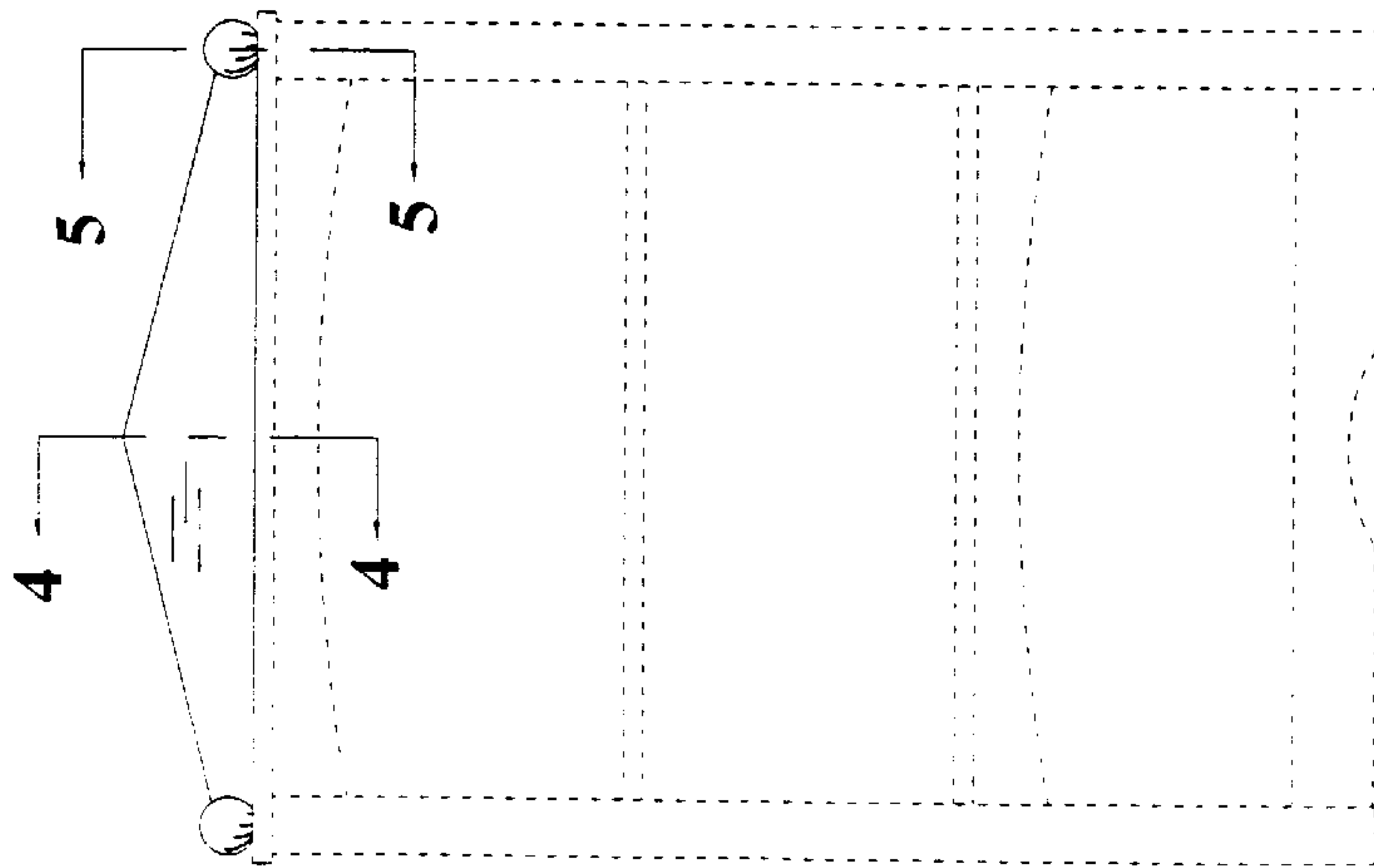
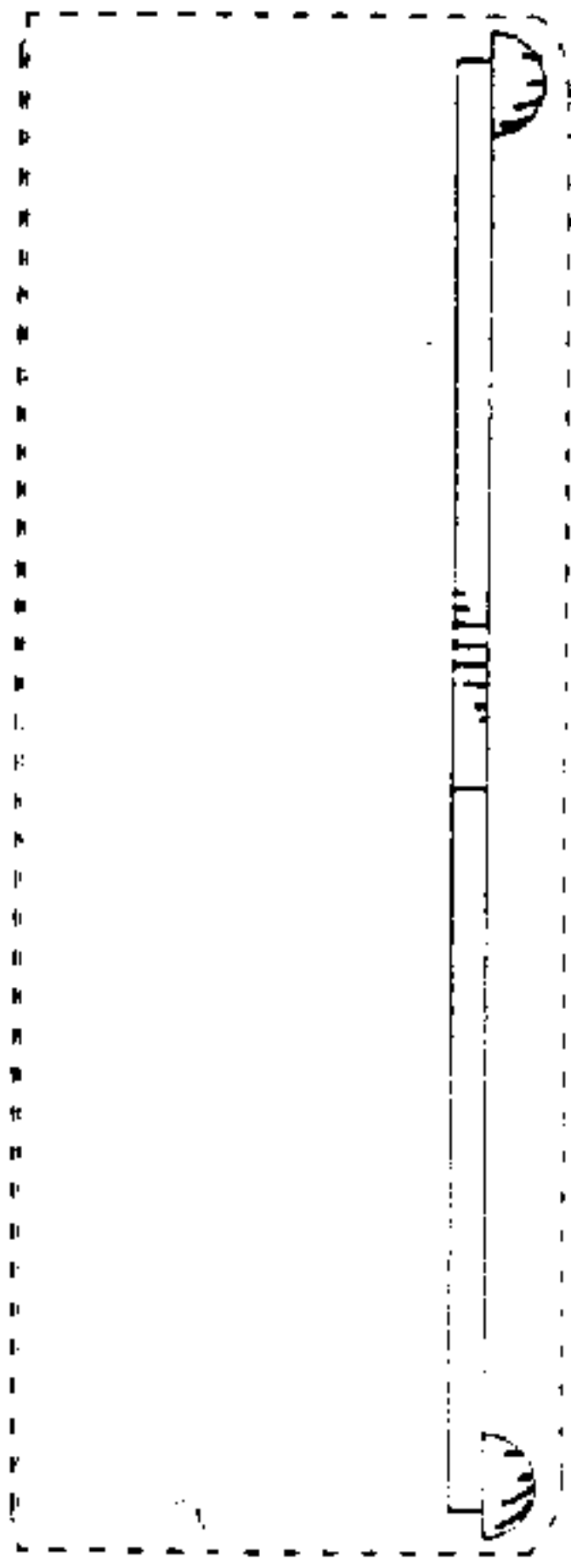


FIG. 1

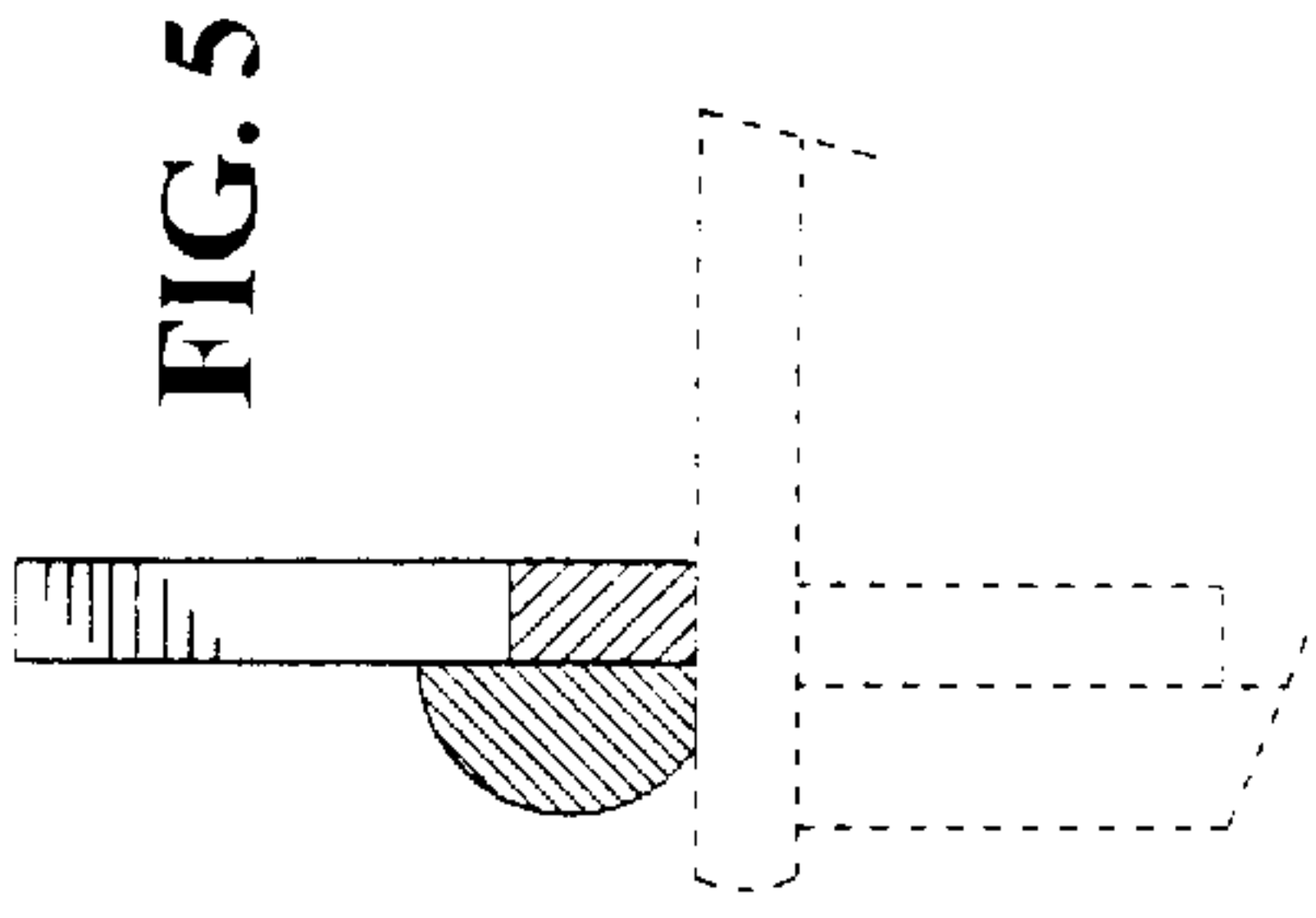


FIG. 5

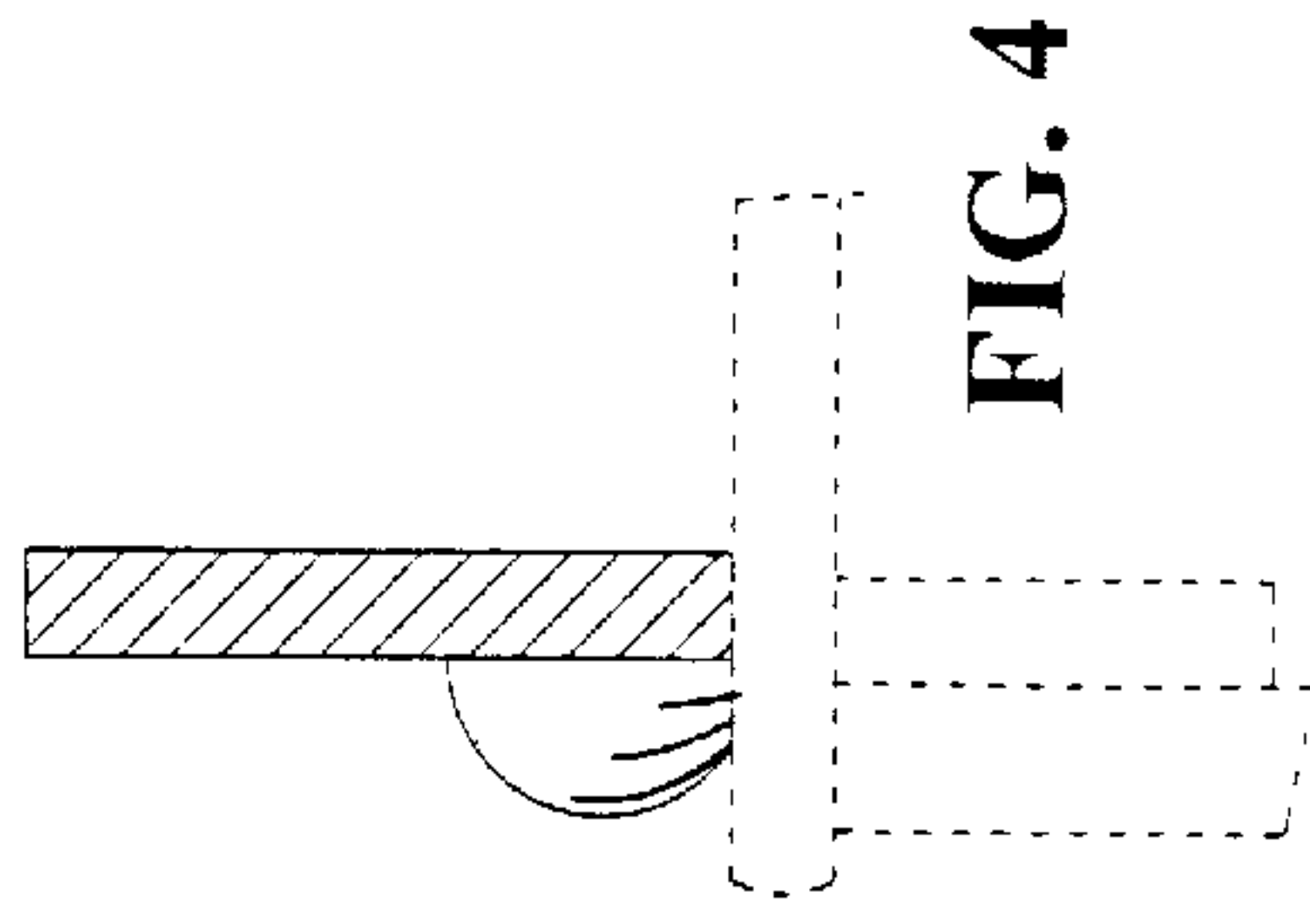


FIG. 4

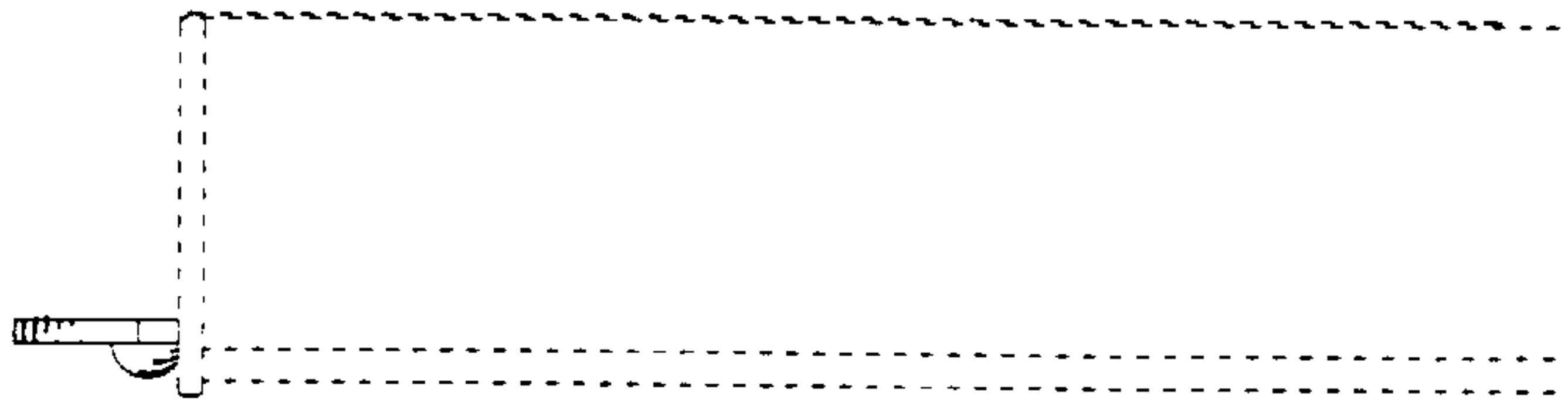


FIG. 3

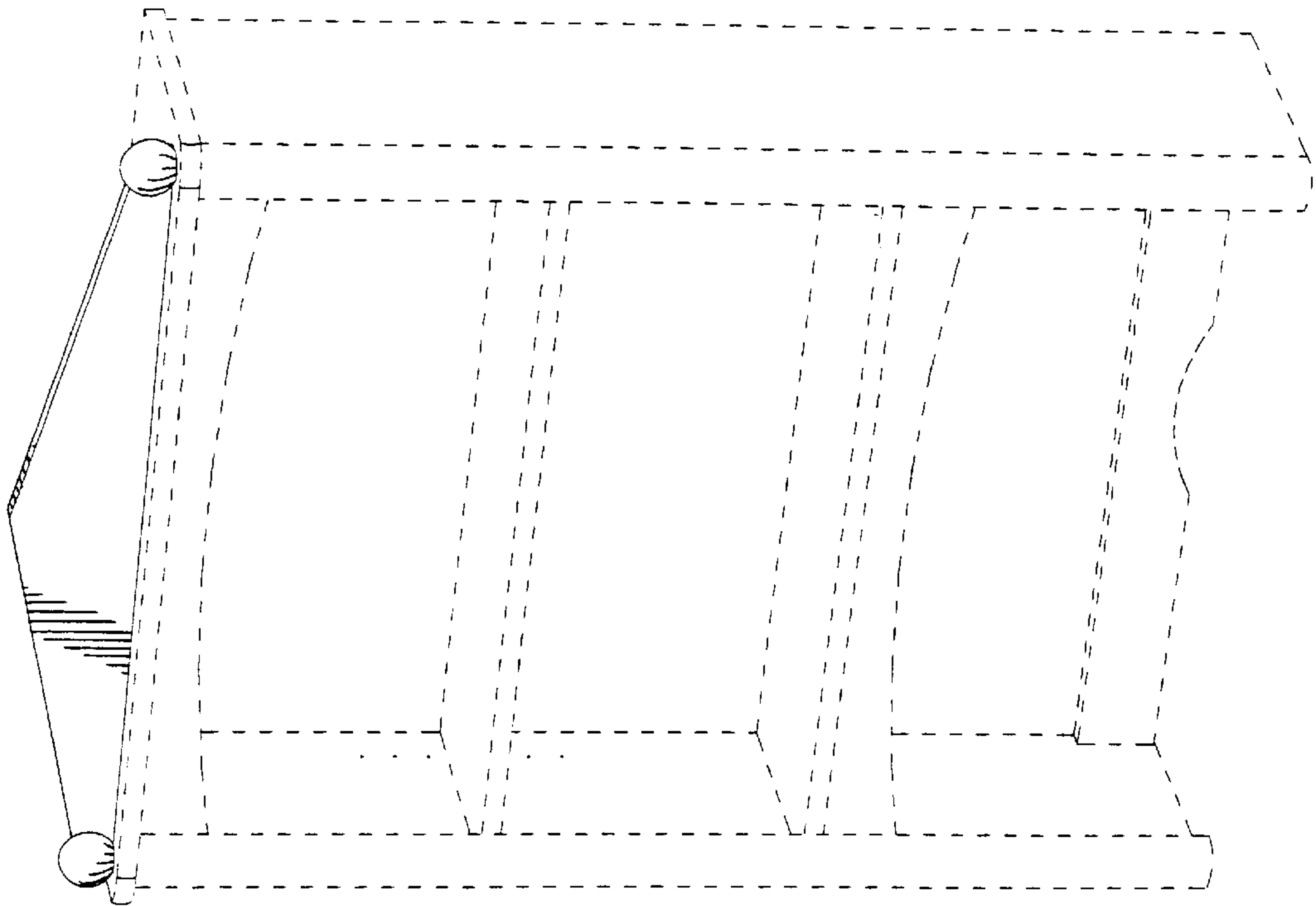


FIG. 6

FIG. 9

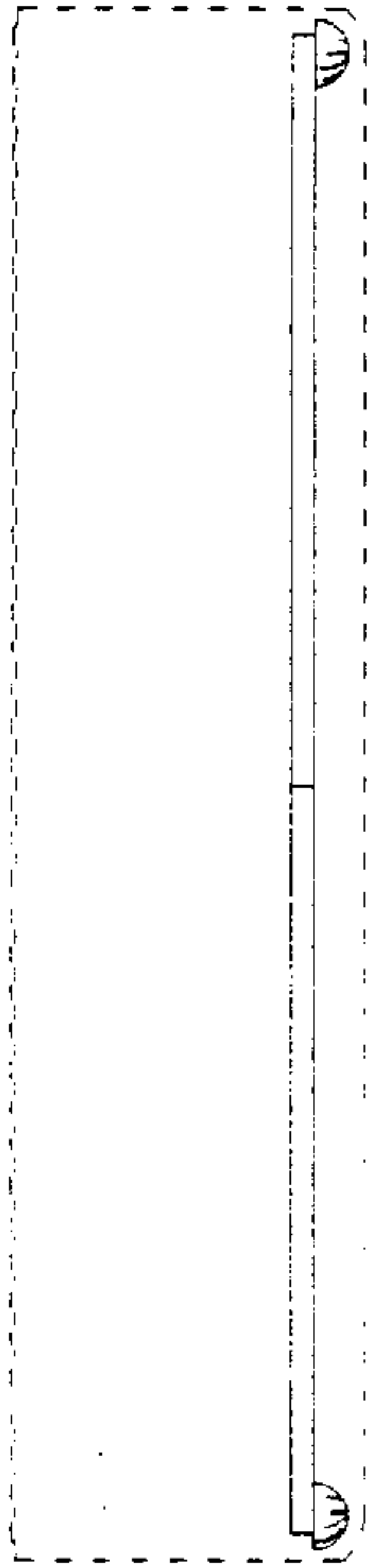


FIG. 7

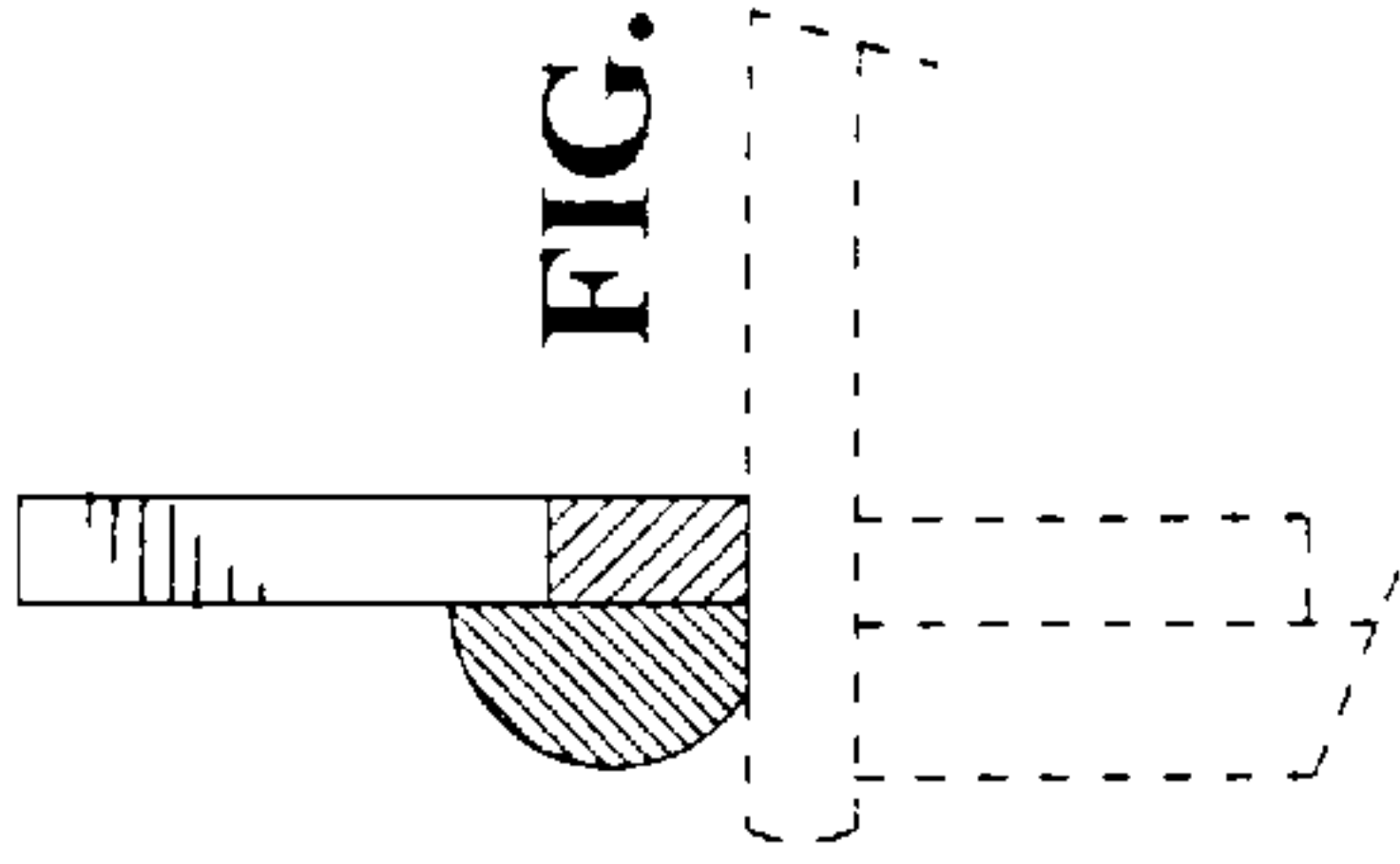


FIG. 11

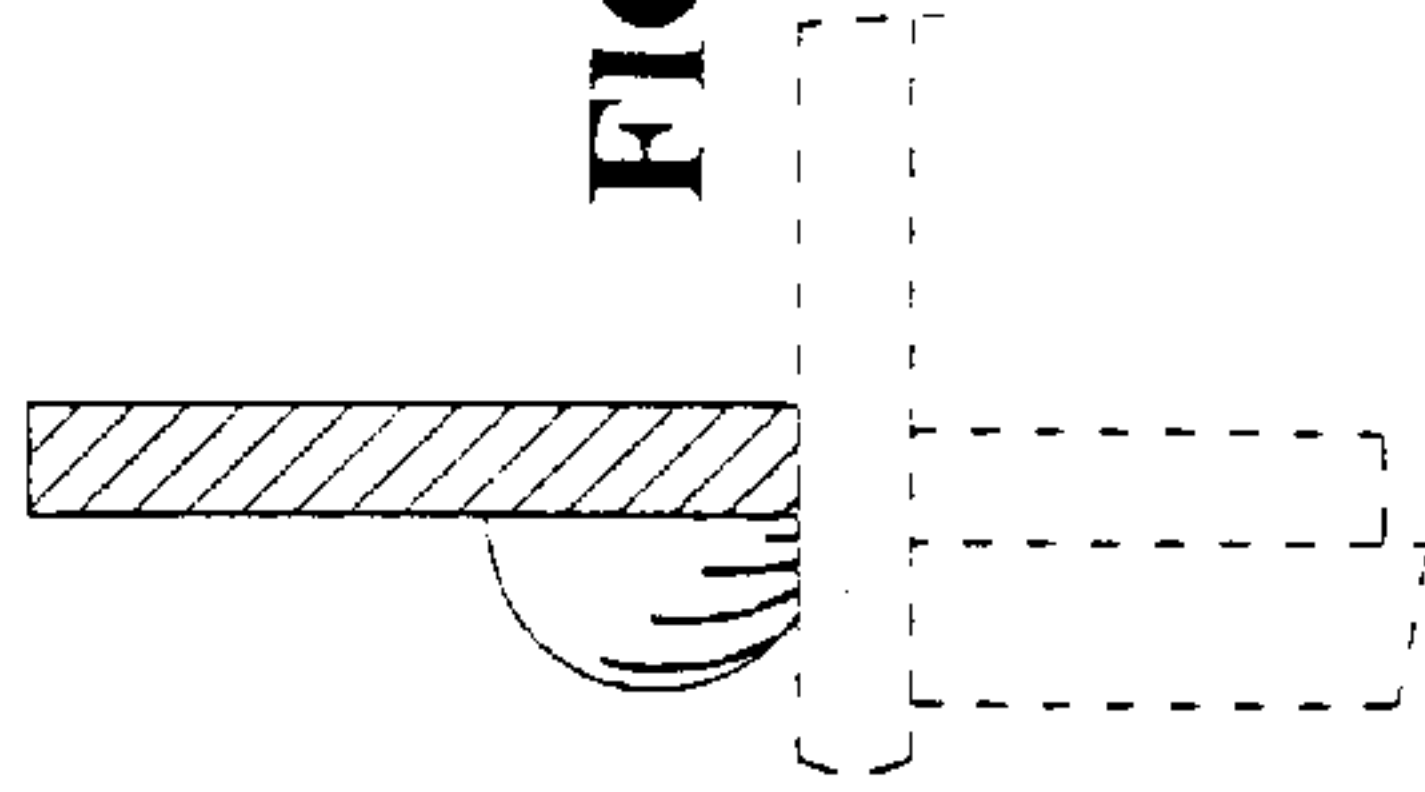


FIG. 10

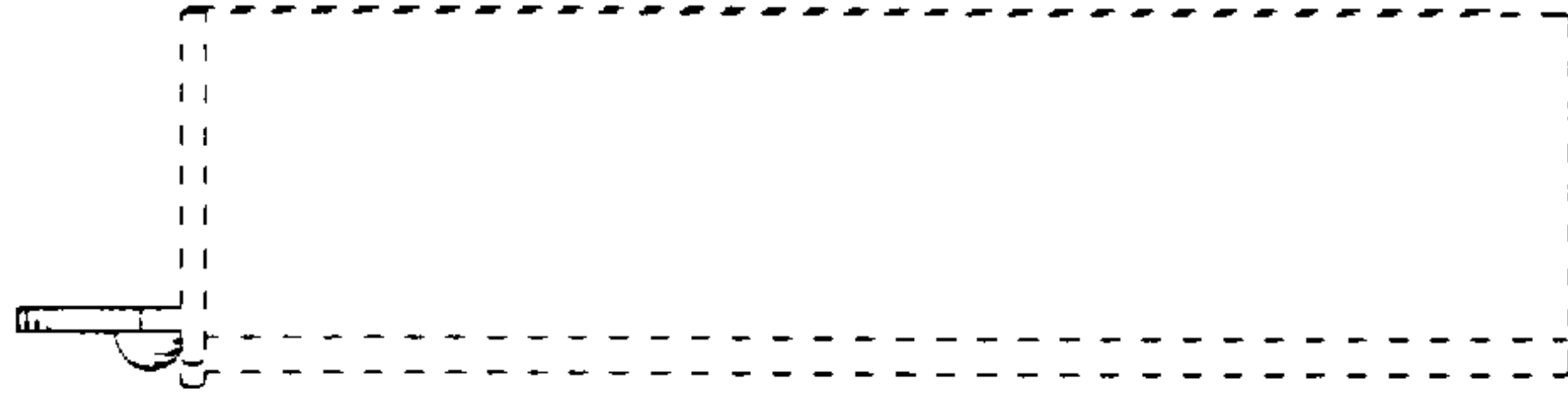
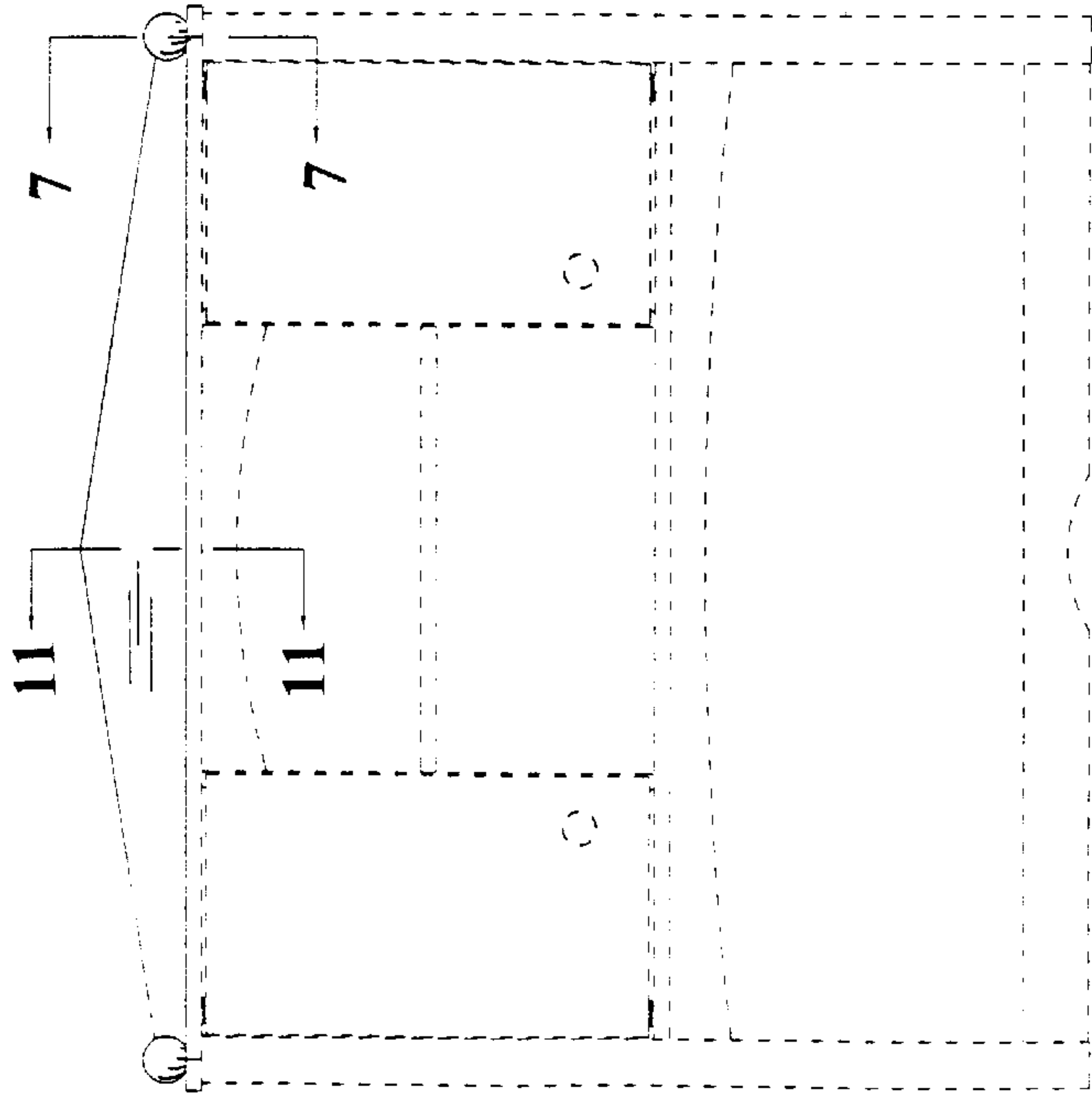


FIG. 8



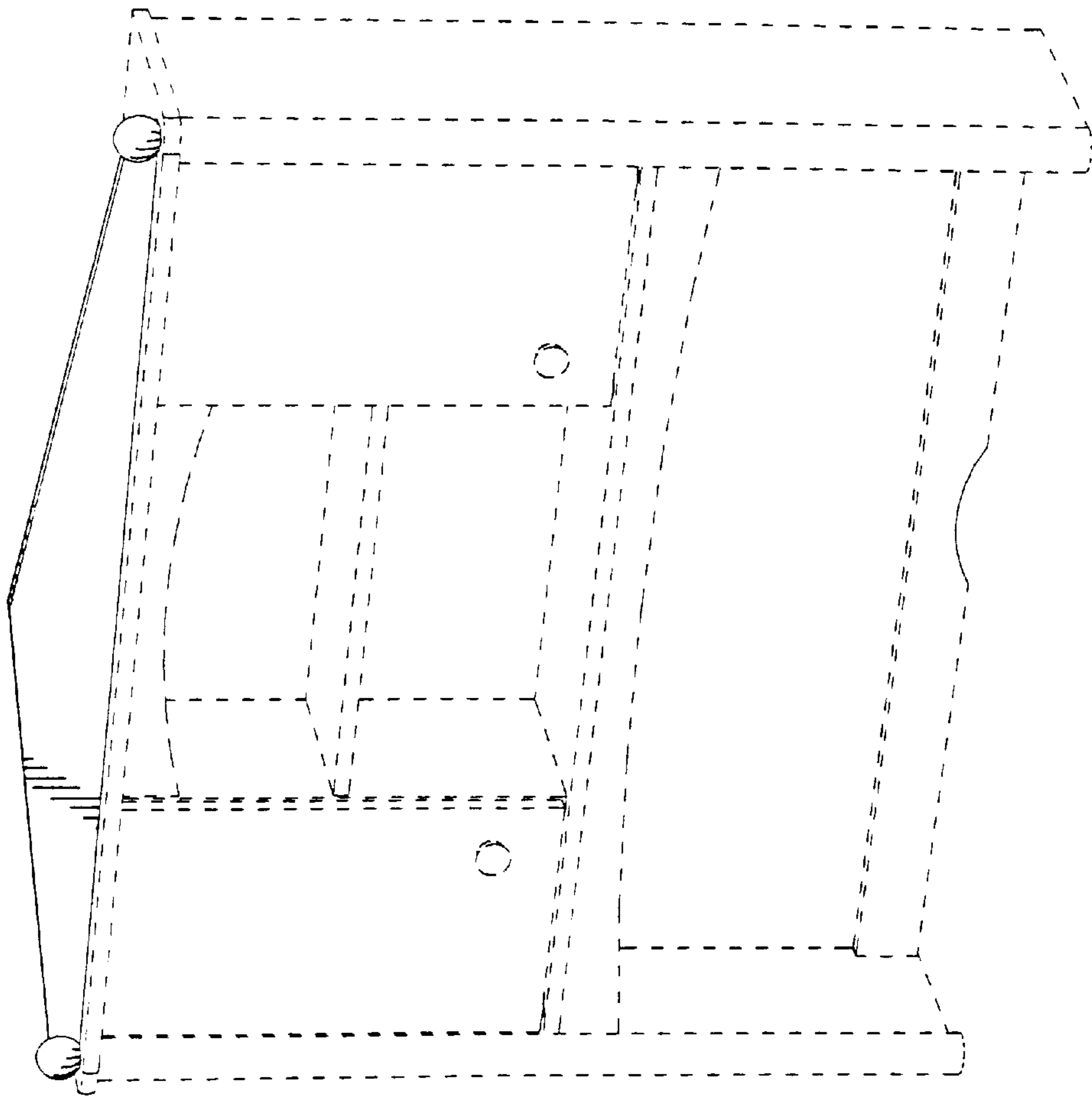


FIG. 12

FIG. 16

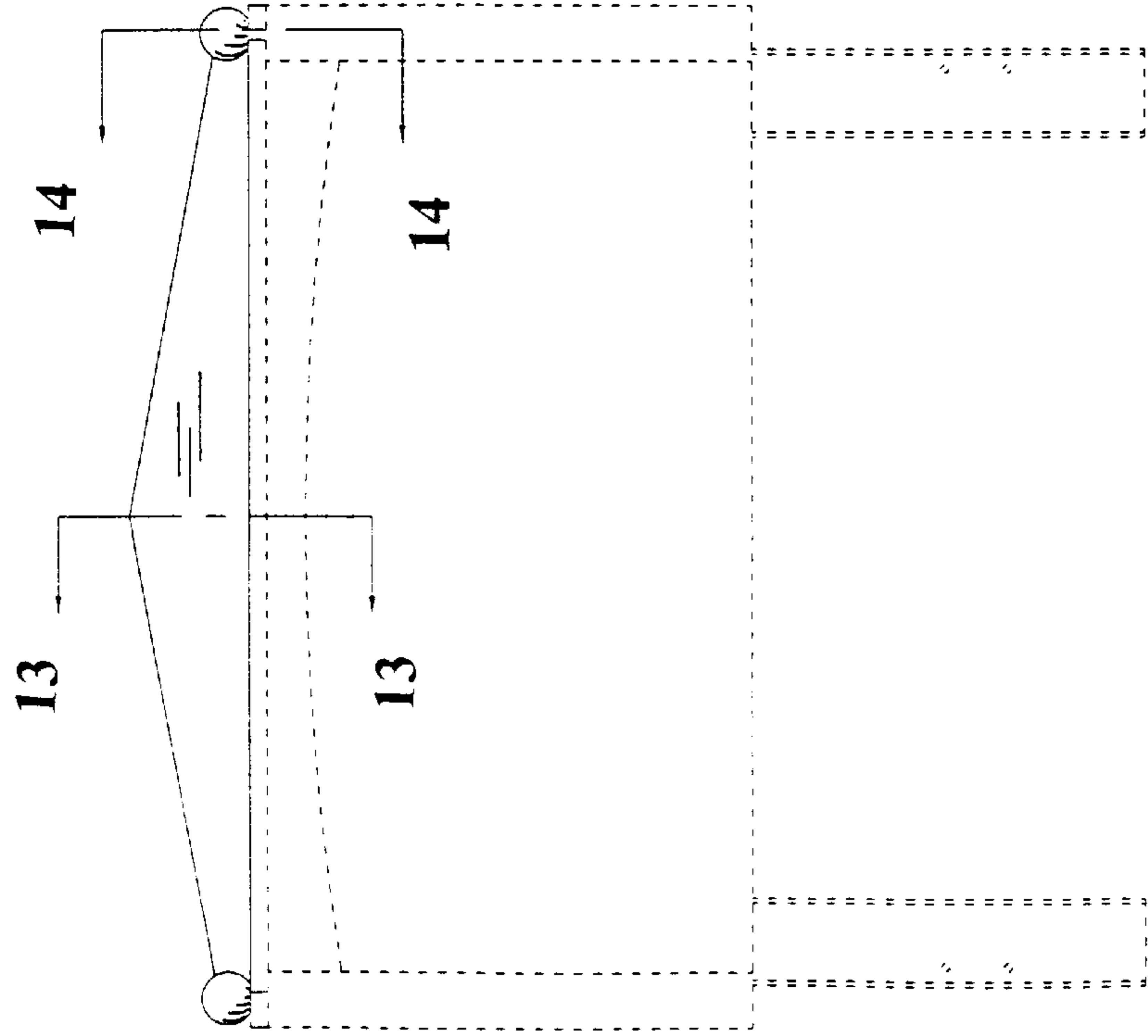
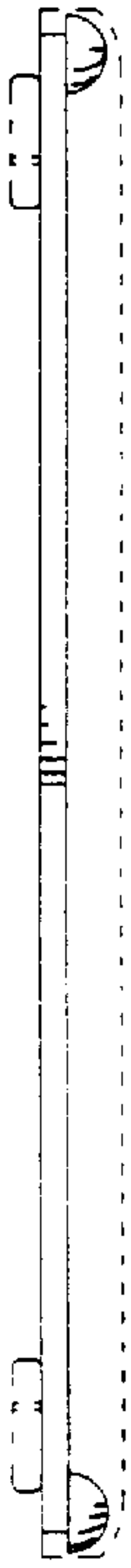


FIG. 15

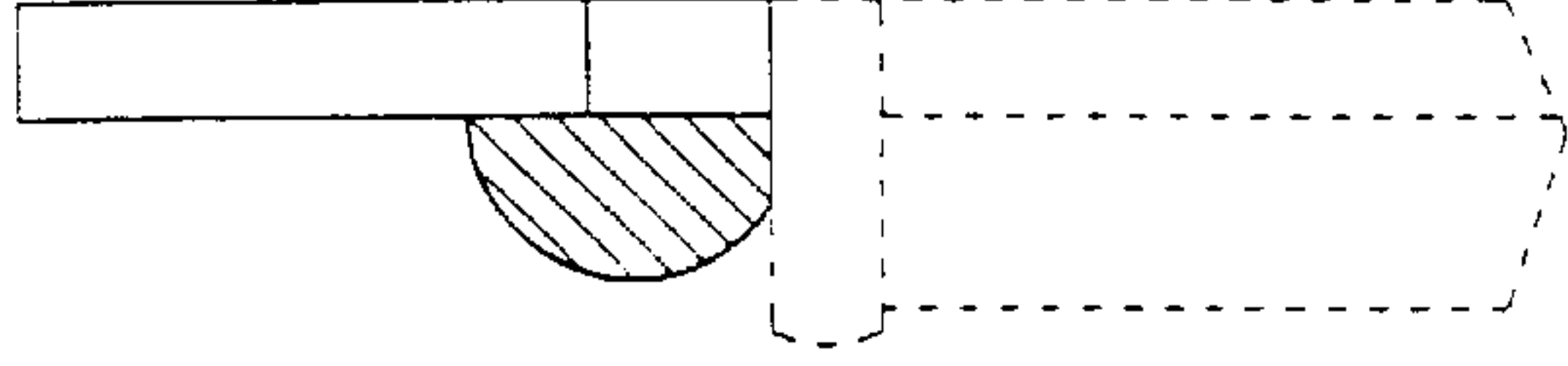


FIG. 14

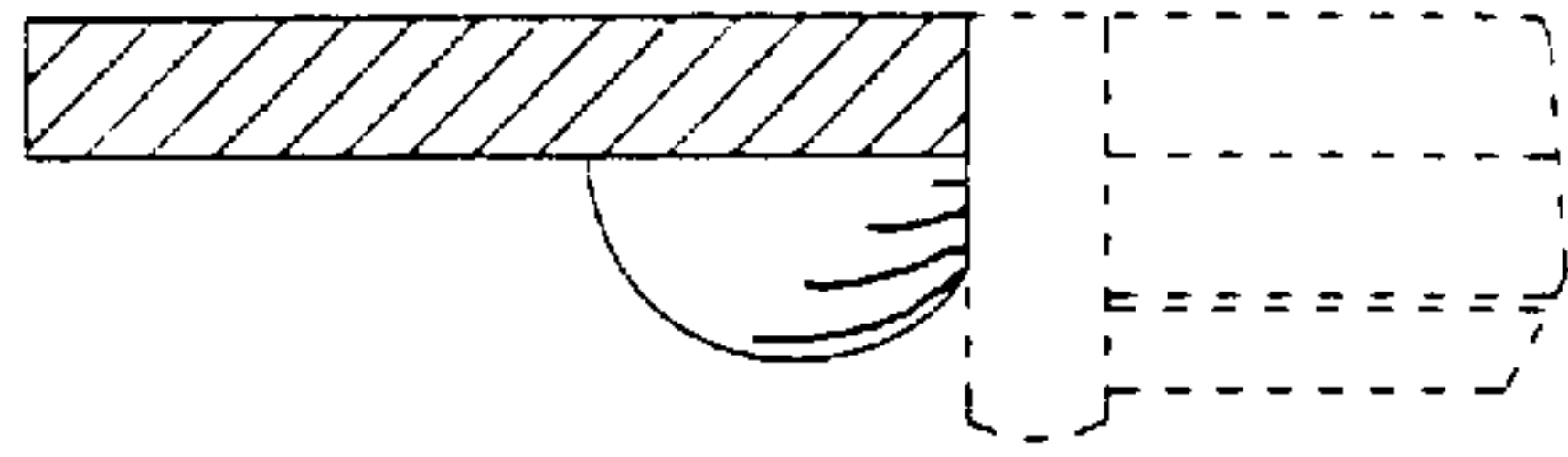


FIG. 13

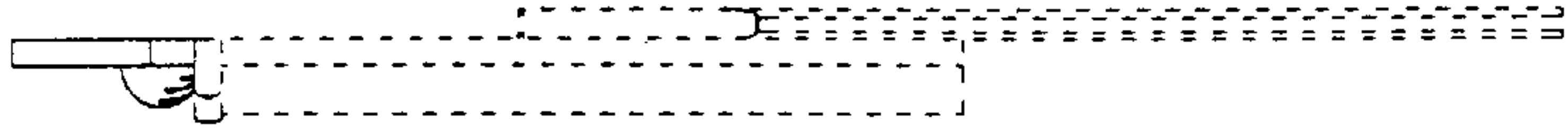


FIG. 17

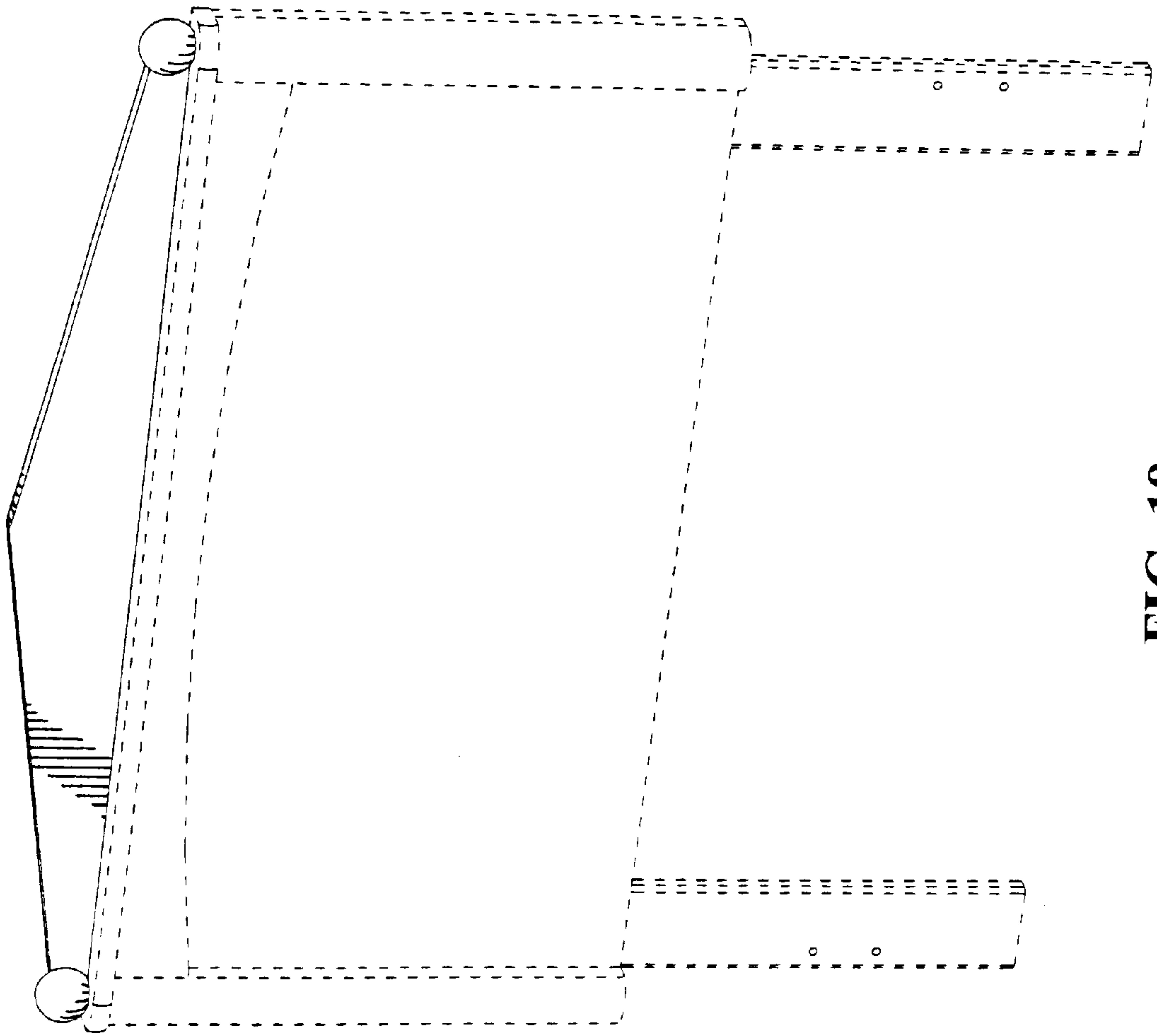


FIG. 18

FIG. 22

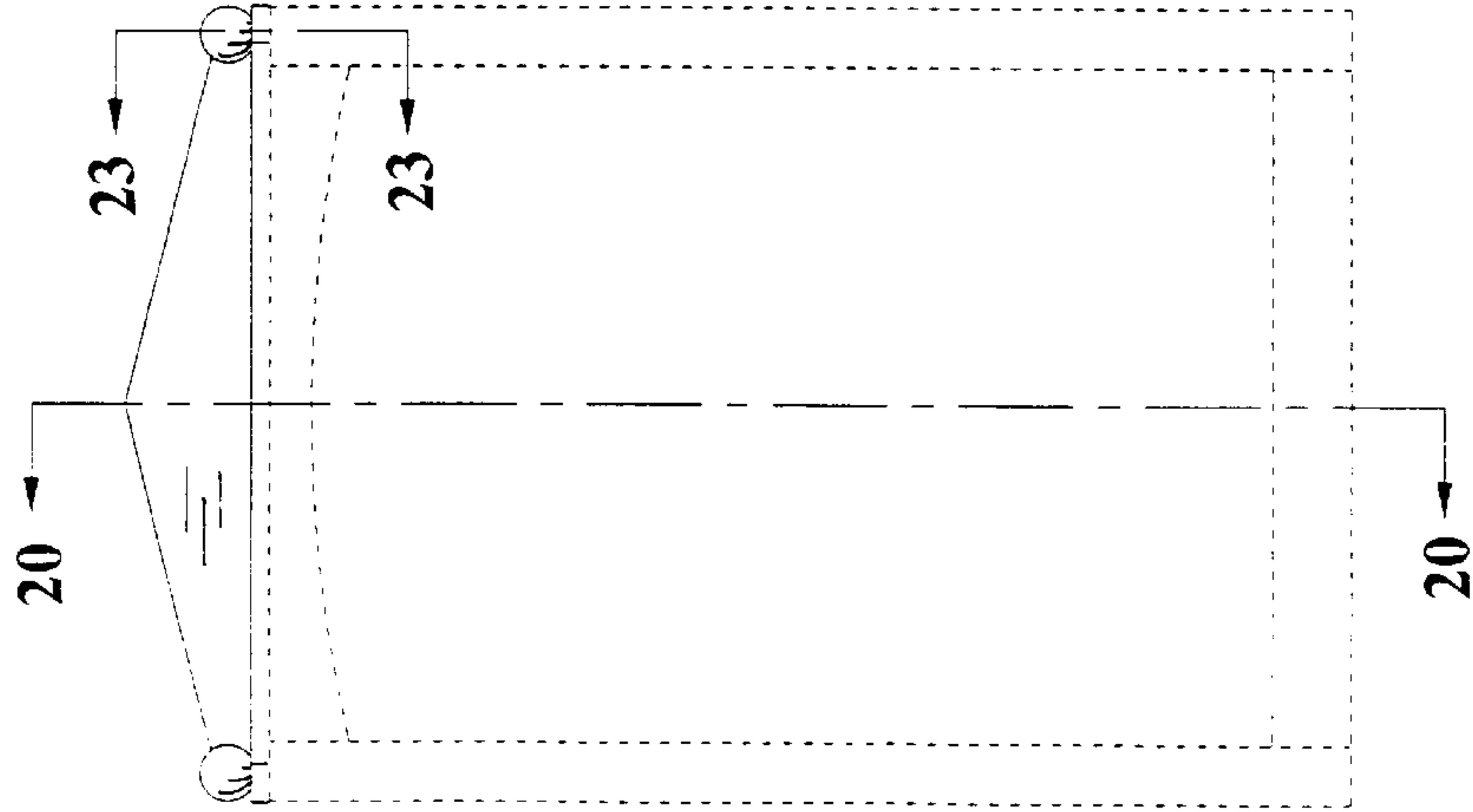
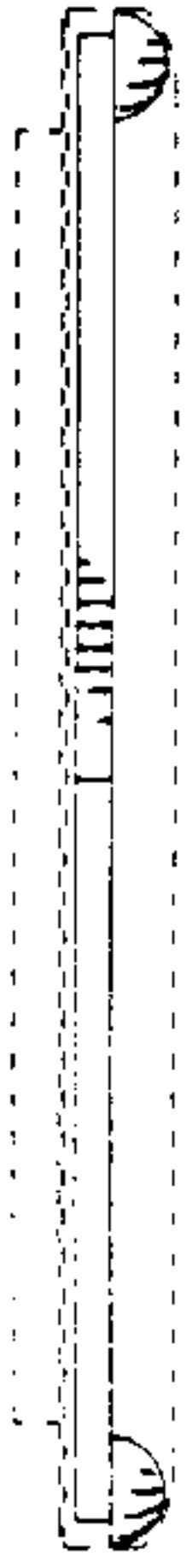


FIG. 21

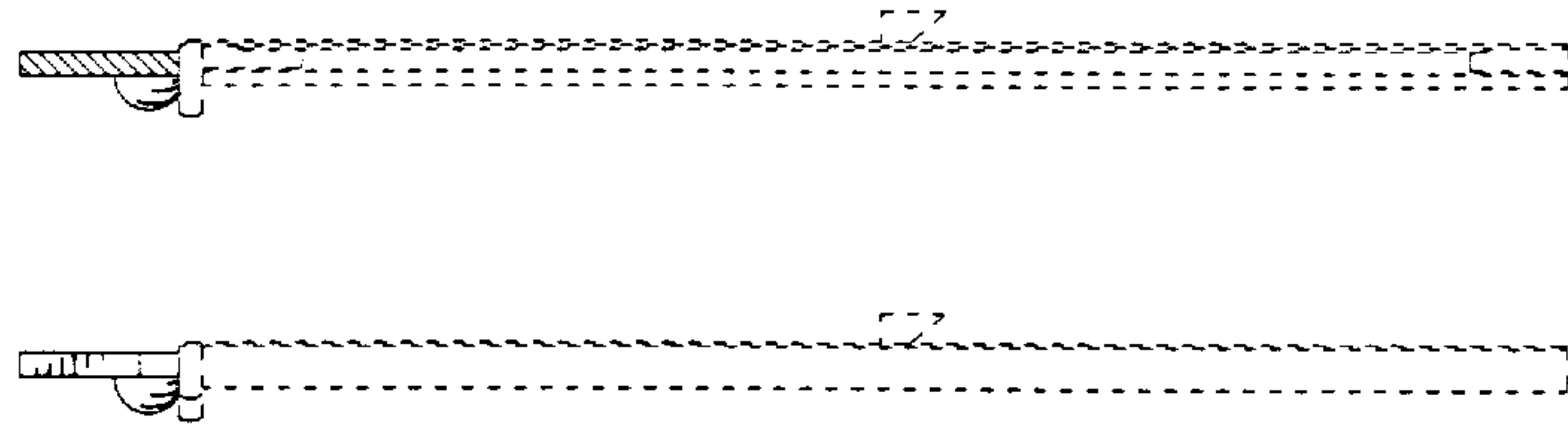


FIG. 20

FIG. 19

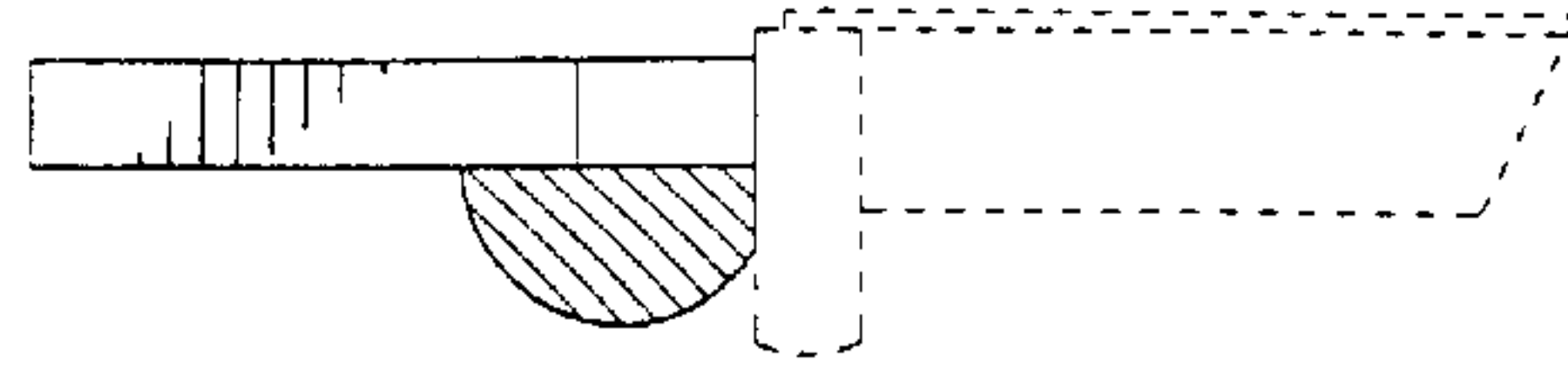


FIG. 23



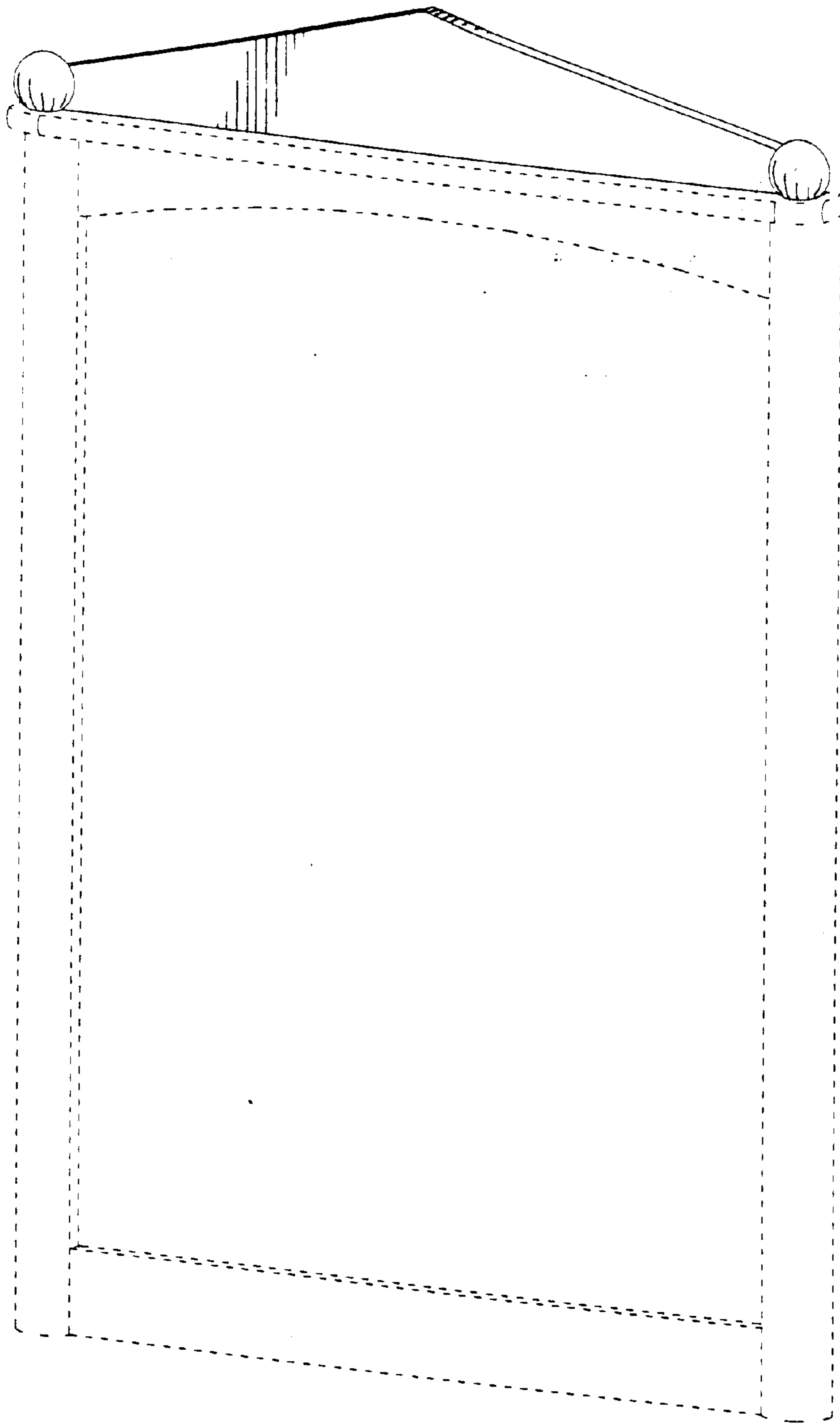


FIG. 24