



US00D441225S

(12) **United States Design Patent**
Vaaler

(10) **Patent No.:** **US D441,225 S**

(45) **Date of Patent:** **** May 1, 2001**

(54) **TABLE**

(75) **Inventor:** **Lawrence I. Vaaler**, Lenoir, NC (US)

(73) **Assignee:** **Bernhardt, L.L.C.**, Lenoir, NC (US)

(**) **Term:** **14 Years**

(21) **Appl. No.:** **29/121,815**

(22) **Filed:** **Apr. 13, 2000**

(51) **LOC (7) Cl.** **06-03**

(52) **U.S. Cl.** **D6/486**

(58) **Field of Search** D6/480-489, 495,
D6/429; 108/150, 153.1, 153, 156, 157.1,
161; 248/188, 188.1, 188.8

(56) **References Cited**

U.S. PATENT DOCUMENTS

D. 41,290 * 4/1911 Killian D6/486

D. 198,324 * 6/1964 Gale D6/486
D. 401,454 * 11/1998 De Blaay D6/486
3,494,308 * 2/1970 Perrin 108/150

* cited by examiner

Primary Examiner—Janice E. Seeger

(74) *Attorney, Agent, or Firm*—Rhodes & Mason, PLLC

(57) **CLAIM**

The ornamental design for a table, as shown and described.

DESCRIPTION

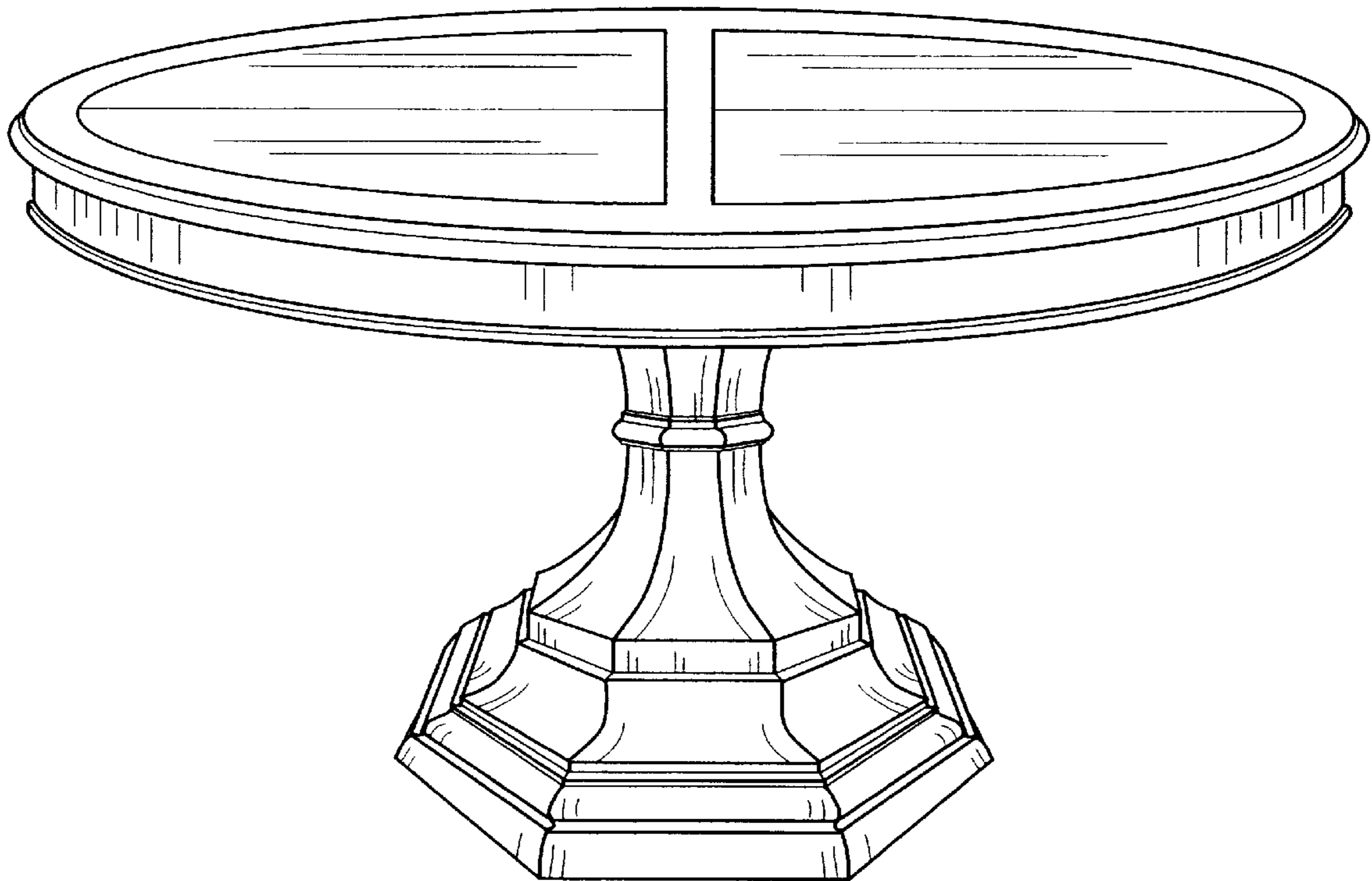
FIG. 1 is a front perspective view of a table showing my new design;

FIG. 2 is a front view of my new design; and,

FIG. 3 is a top view of my new design.

The bottom view not shown forms no part of the claimed design.

1 Claim, 3 Drawing Sheets



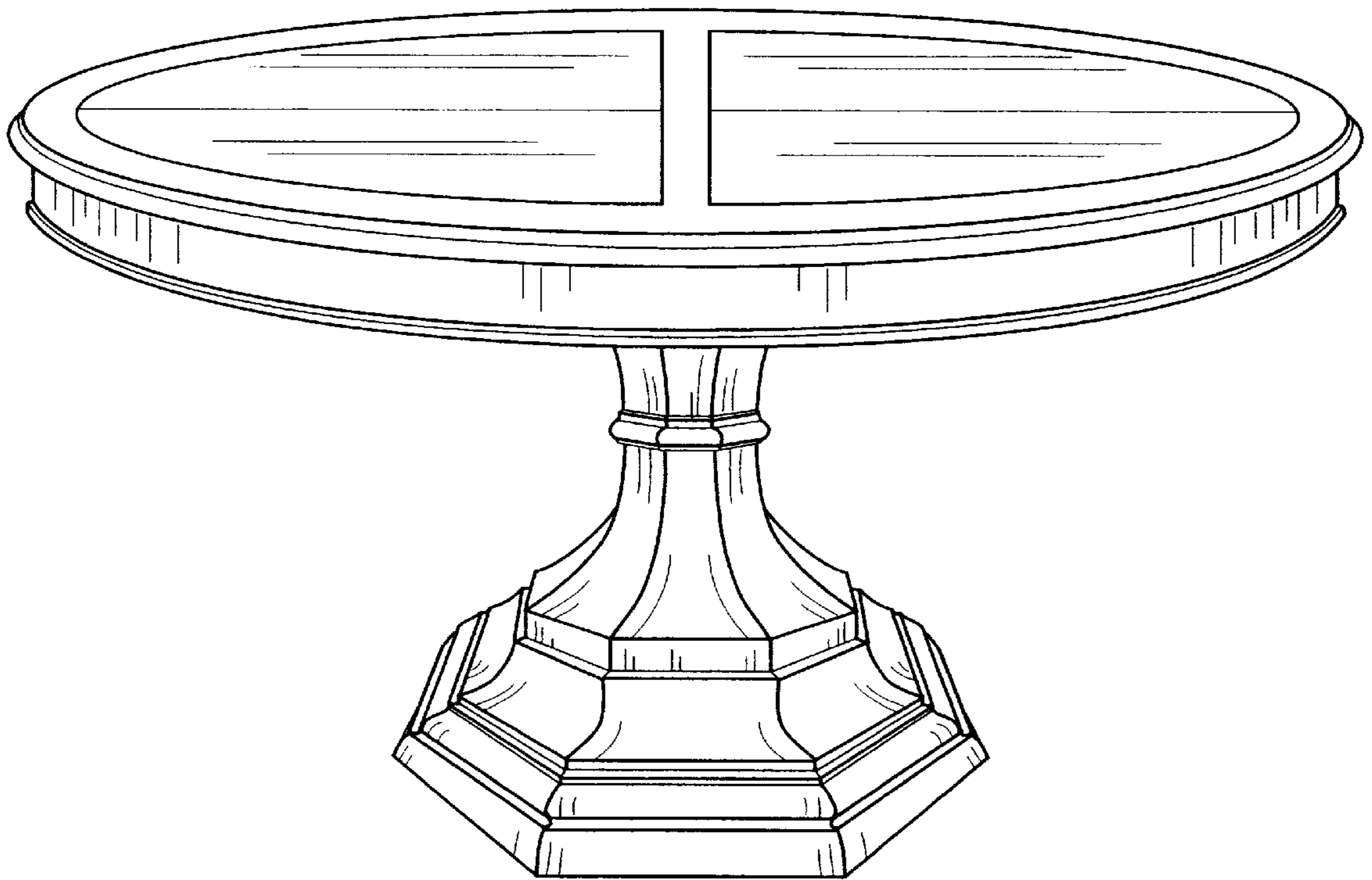


FIG. 1

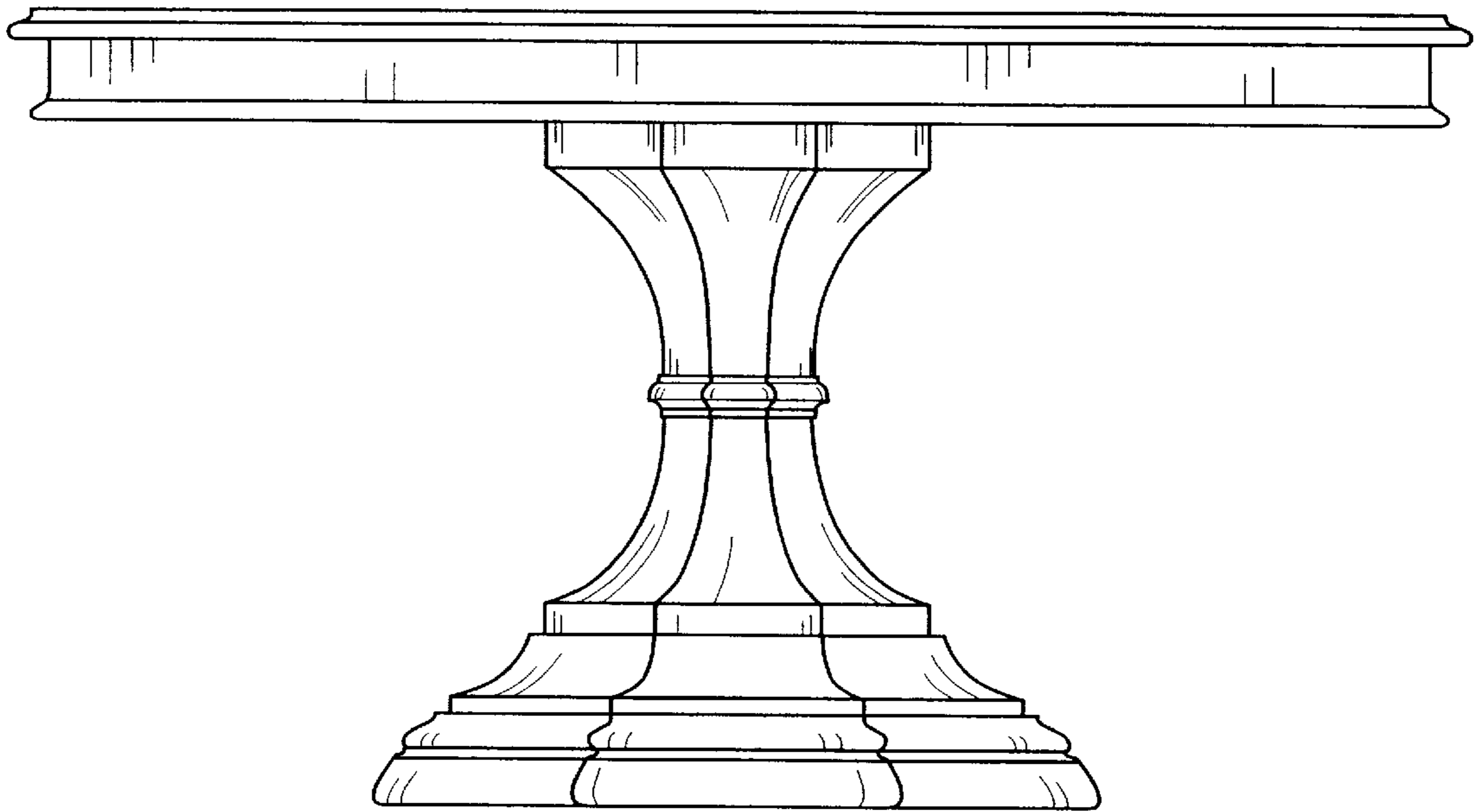


FIG. 2

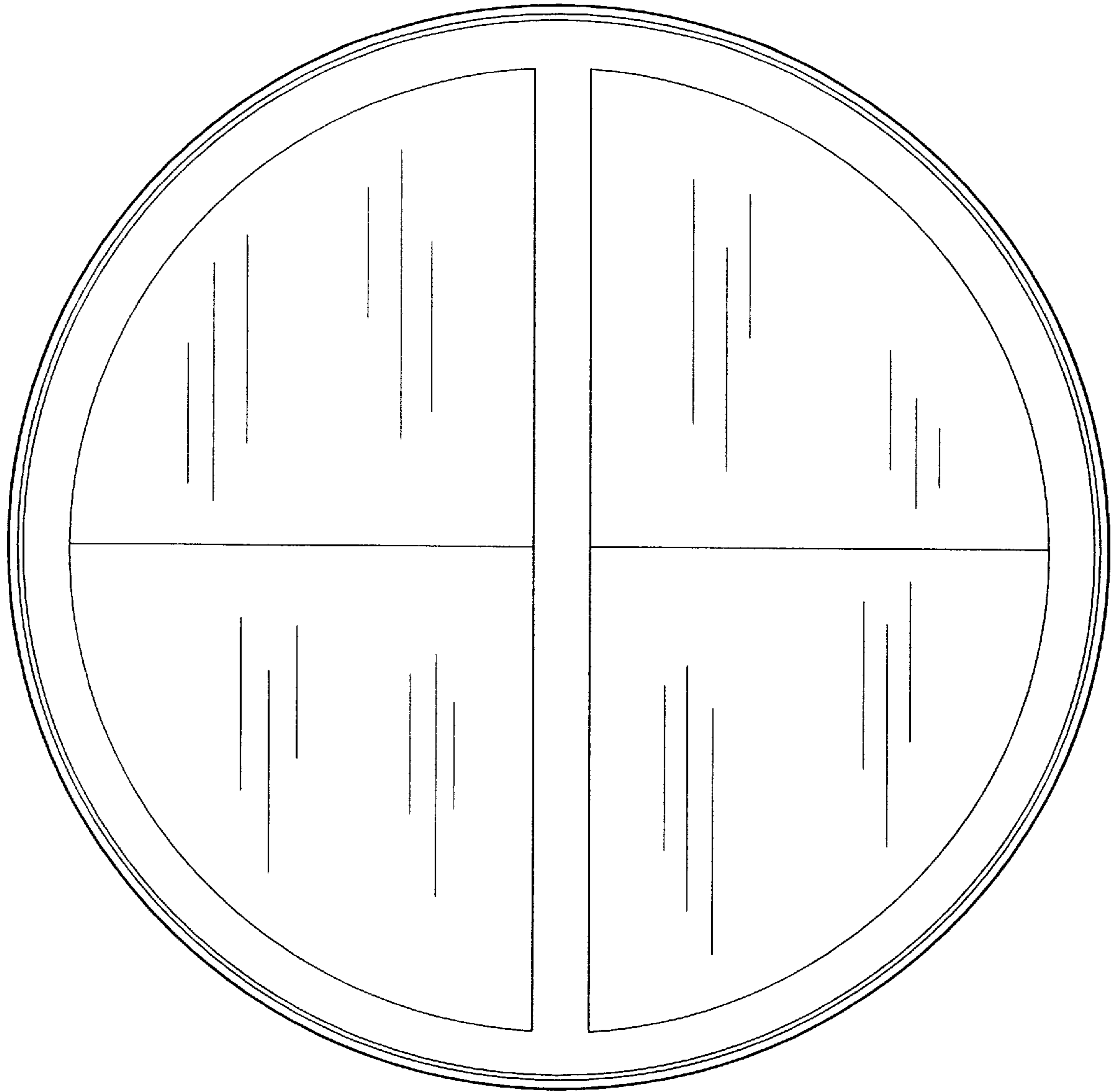


FIG. 3