



US00D441224S

(12) **United States Design Patent**  
**Scheper et al.**

(10) **Patent No.:** **US D441,224 S**

(45) **Date of Patent:** **\*\* May 1, 2001**

(54) **TABLE**

(75) Inventors: **Robert M. Scheper; William R. Easton**, both of Greensboro; **Barry E. Vitale**, Kernersville, all of NC (US)

(73) Assignee: **Steelcase Development Inc.**, Caledonia, MI (US)

(\*\*) Term: **14 Years**

(21) Appl. No.: **29/119,941**

(22) Filed: **Mar. 10, 2000**

(51) **LOC (7) Cl.** ..... **06-03**

(52) **U.S. Cl.** ..... **D6/486**

(58) **Field of Search** ..... D6/480-489, 495-499, D6/511; 108/150, 151, 153.1, 156, 157.1, 161; 248/188, 188.1

(56) **References Cited**

**U.S. PATENT DOCUMENTS**

D. 178,425	*	7/1956	Pollard et al.	.....	D6/485
D. 214,129		5/1969	Della-Porta	.....	D33/3
D. 341,507	*	11/1993	Harvey et al.	.....	D6/482
2,685,487		8/1954	Woller	.....	311/40
3,683,825	*	8/1972	Sheldon	.....	108/33
3,737,136		6/1973	Snurr	.....	248/412
3,741,514		6/1973	Snurr	.....	248/412
3,853,297		12/1974	Drolet	.....	248/412
3,862,735		1/1975	Cohen	.....	248/405
4,400,951		8/1983	Cherry	.....	62/258
4,807,836		2/1989	Price et al.	.....	248/123.1
5,088,420		2/1992	Russell	.....	108/106
5,337,657		8/1994	Diffrient	.....	108/115
5,465,671		11/1995	Genest	.....	108/43
5,483,903		1/1996	Pierce et al.	.....	108/147
5,540,159		7/1996	Anderson	.....	108/150
5,615,620		4/1997	Owen	.....	108/45
5,894,805		4/1999	Raasch et al.	.....	108/146

**OTHER PUBLICATIONS**

Steen & Strom, "Side Table", web page available at [http://www.icon20.com/item\\_desc.cfm?itemNumber=503181](http://www.icon20.com/item_desc.cfm?itemNumber=503181), bearing a designation of "Year: 1950's" (2 Sheets).

"Reliable Home Office", Early Fall 1999, (pp. 5 and 13).  
Concept Development Studios rendering of "crescent table" based on sketch provided by Tom McHugh on or about Sep. 8, 1997 (2 color sheets).

(List continued on next page.)

*Primary Examiner*—Janice E. Seeger

(74) *Attorney, Agent, or Firm*—Foley & Lardner

(57) **CLAIM**

The ornamental design for a table, substantially as shown and described.

**DESCRIPTION**

FIG. 1 is a perspective view of the table according to a preferred embodiment.

FIG. 2 is a top plan view of the table.

FIG. 3 is a left side elevation view of the table.

FIG. 4 is a front elevation view of the table.

FIG. 5 is a right side elevation view of the table.

FIG. 6 is a rear elevation view of the table.

FIG. 7 is a bottom plan view of the table.

FIG. 8 is a perspective view of the table according to an alternative embodiment.

FIG. 9 is a top plan view of the table shown in FIG. 8.

FIG. 10 is a left side elevation view of the table shown in FIG. 8.

FIG. 11 is a front elevation view of the table shown in FIG. 8.

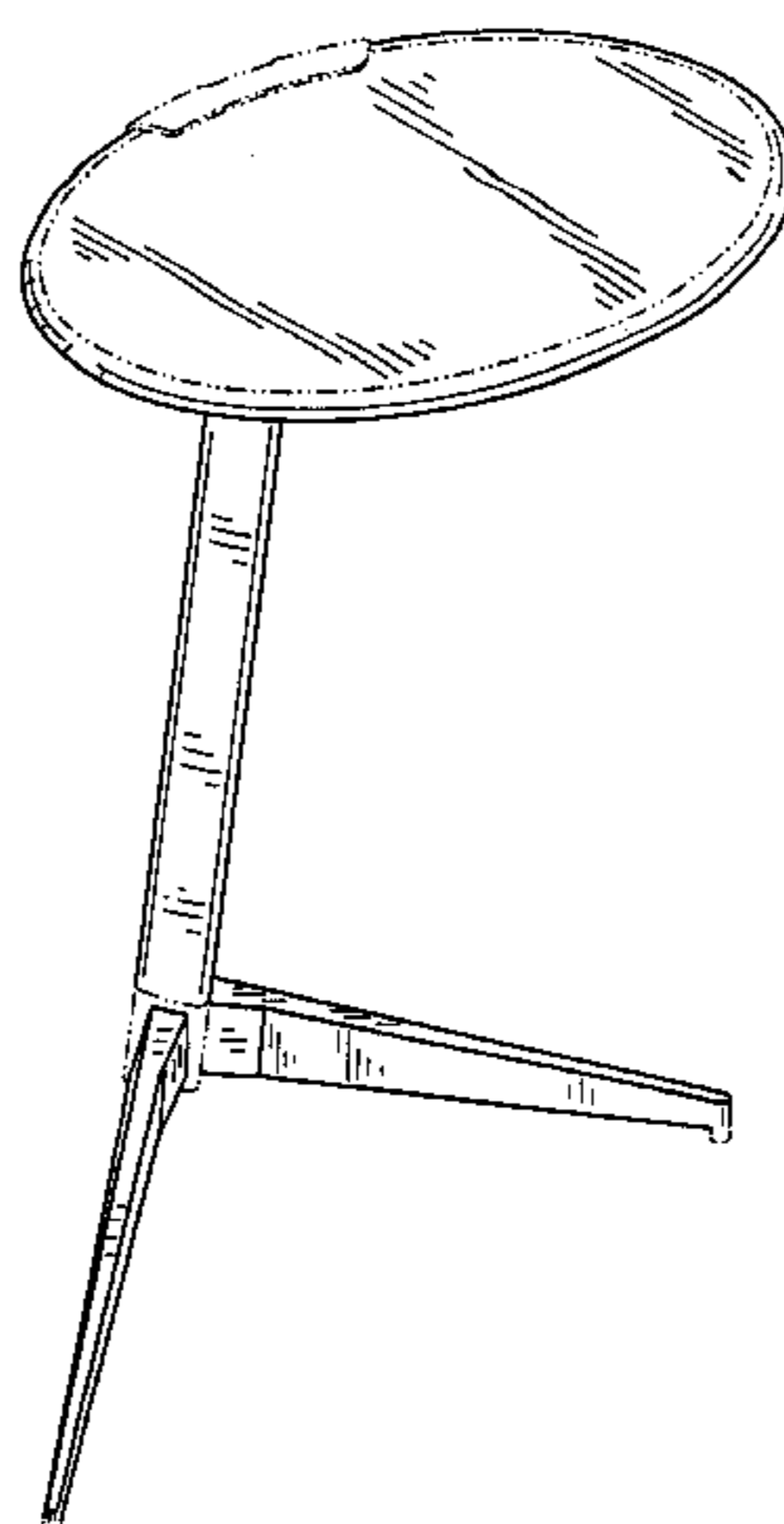
FIG. 12 is a right side elevation view of the table shown in FIG. 8.

FIG. 13 is a rear elevation view of the table shown in FIG. 8; and,

FIG. 14 is a bottom plan view of the table shown in FIG. 8.

The broken line disclosure is for illustrative purposes only and forms no part of the claimed design.

**1 Claim, 6 Drawing Sheets**



OTHER PUBLICATIONS

Promotional material by SMED International, *3 Worksurface—KYO Desking* (undated) (1 sheet).

Promotional Catalog by Levenger Company, *Sky Mall Presents*, p. 37 (undated) (1 sheet).

Promotional material by Mobile Metal (undated) (1 sheet).

Home Furniture, *Repeating Arches Unite*, bearing a designation of “Oct. ’96” (1 sheet).

Eileen Gray, *Eileen Gray*, <<http://www.indesign.it/eileen.htm>>, bearing a designation of “Mar. 9, 2000” (2 sheets).

Design Within Reach, *Design With Reach—Eileen Gray*

*Table*, <<http://www.dwr.com/productdetail.cfm?id=0144>>, bearing a designation of “Mar. 9, 2000” (1 sheet).

Wilkhahn, Wilkening & Hahne GmbH & Co., *Dynamic Communication*, <<http://www.wilkhahn.com/english/index.stm>> (undated) (1 sheet).

Wilkhahn, Wilkening & Hahne GmbH & Co., digital picture of CONFAIR® table, <[http://www.wilkhahn.com/images/product\\_lab/confair\\_detail\\_1.jpg](http://www.wilkhahn.com/images/product_lab/confair_detail_1.jpg)> (undated) (2 sheets).

Digital renderings of table (undated) (2 sheets).

\* cited by examiner

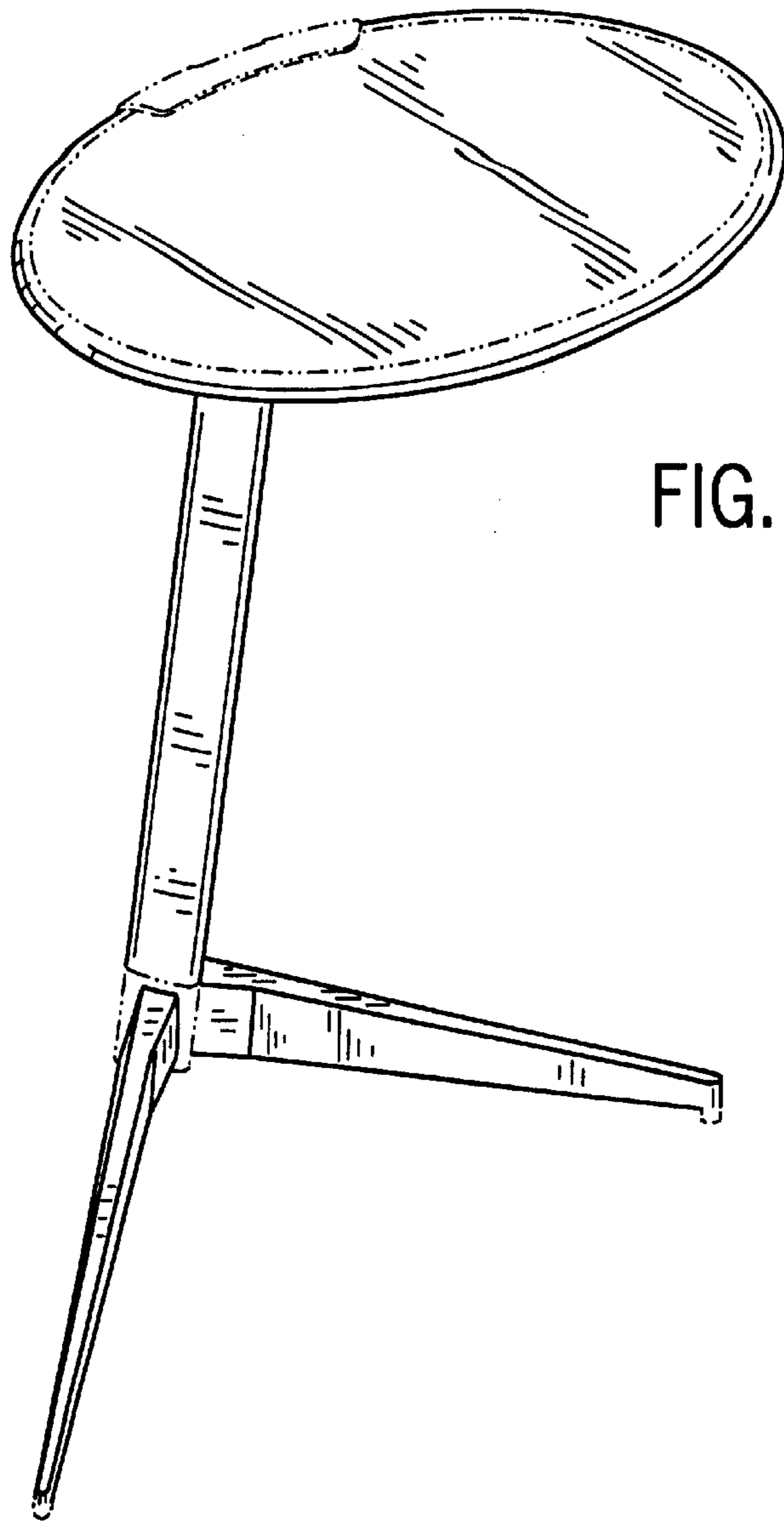


FIG. 1

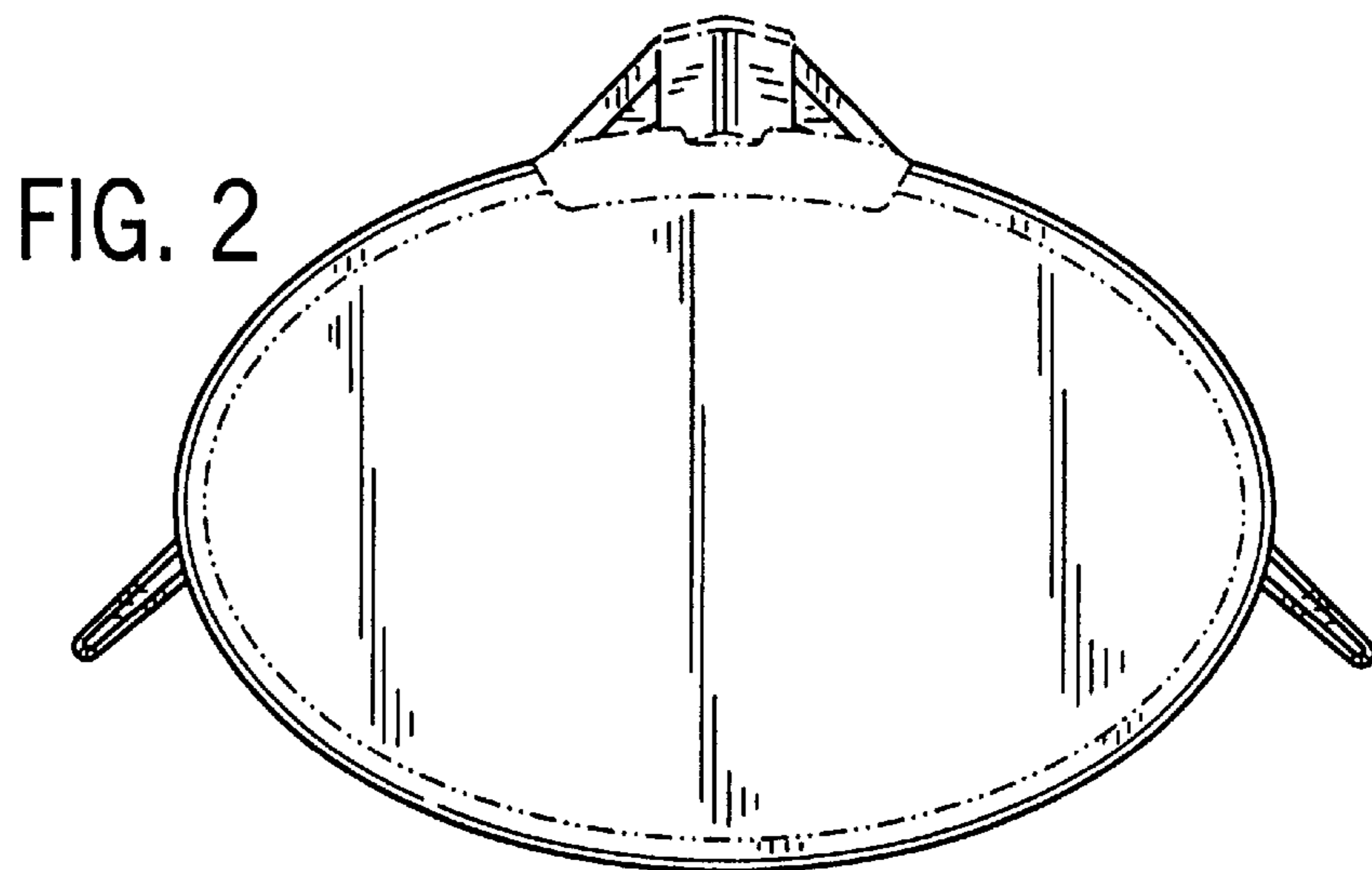


FIG. 2

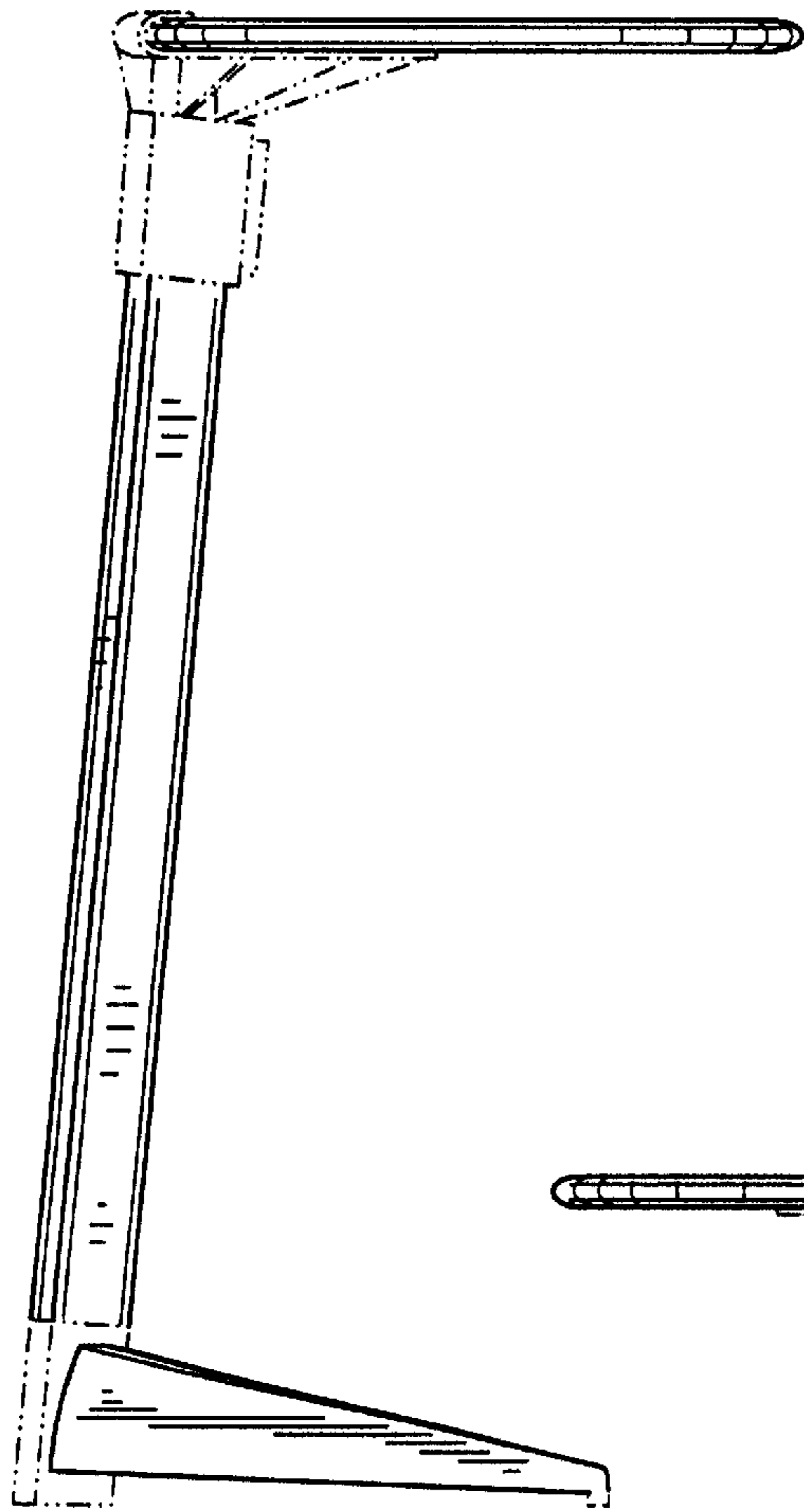


FIG. 3

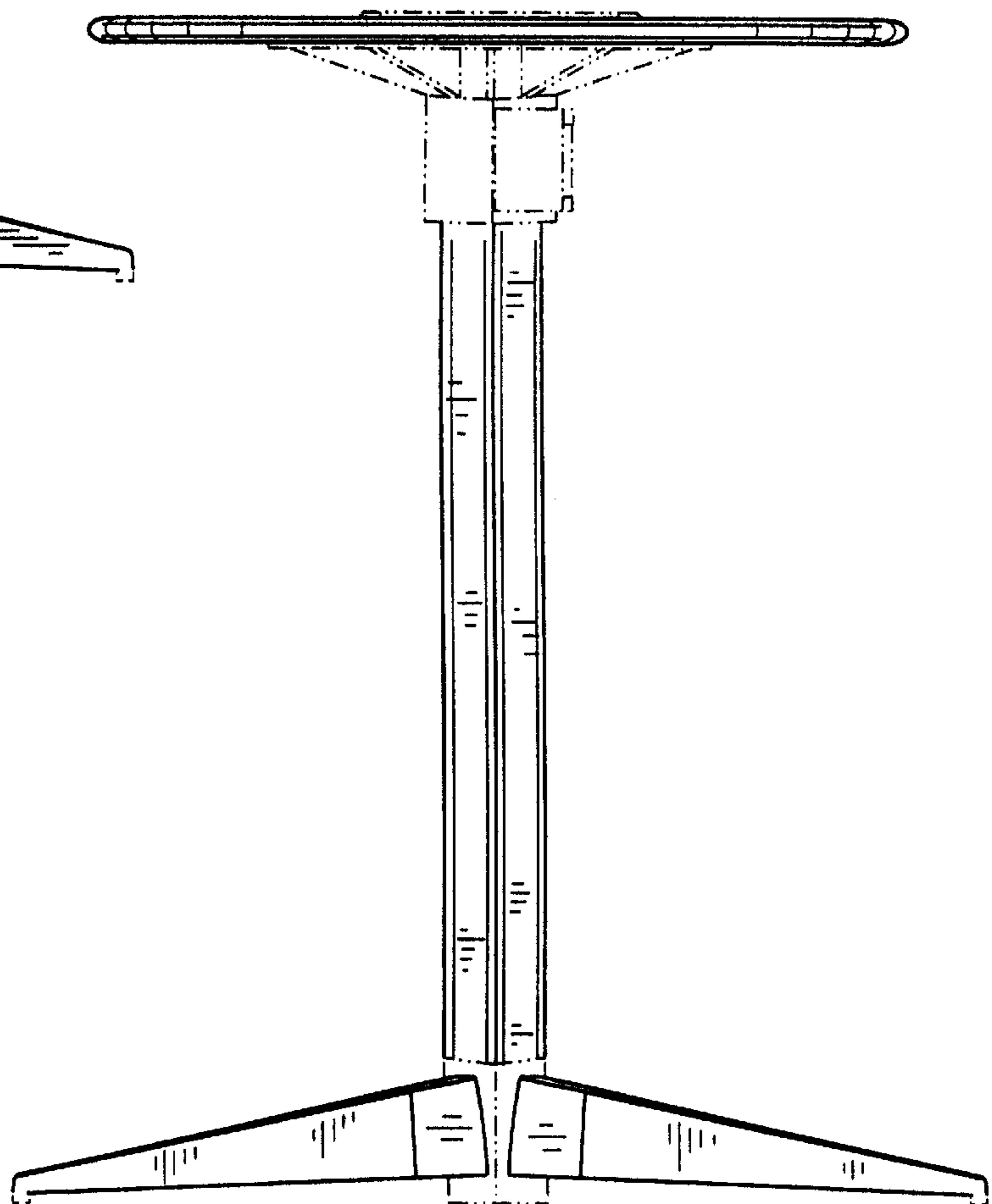


FIG. 4

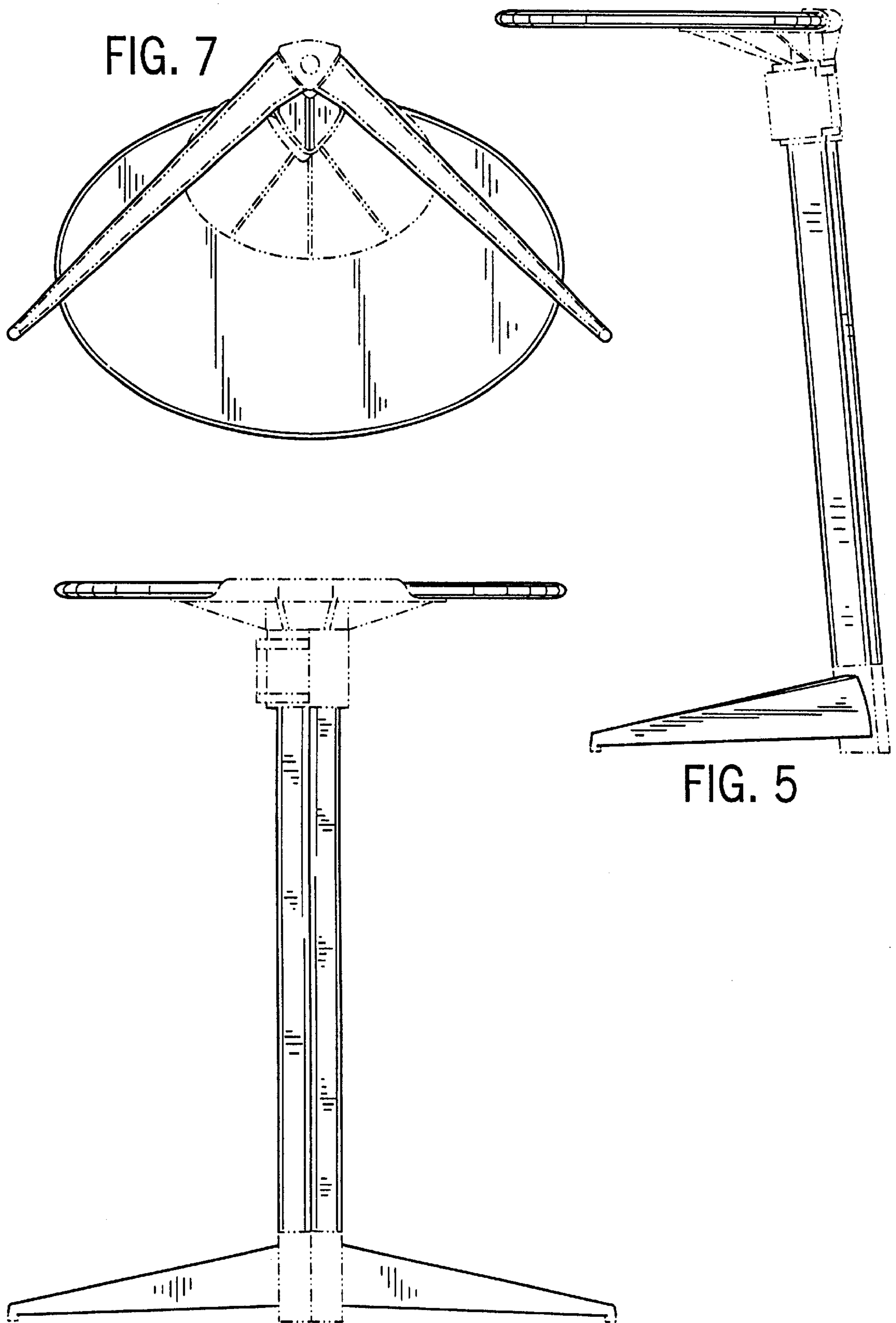


FIG. 7

FIG. 5

FIG. 6

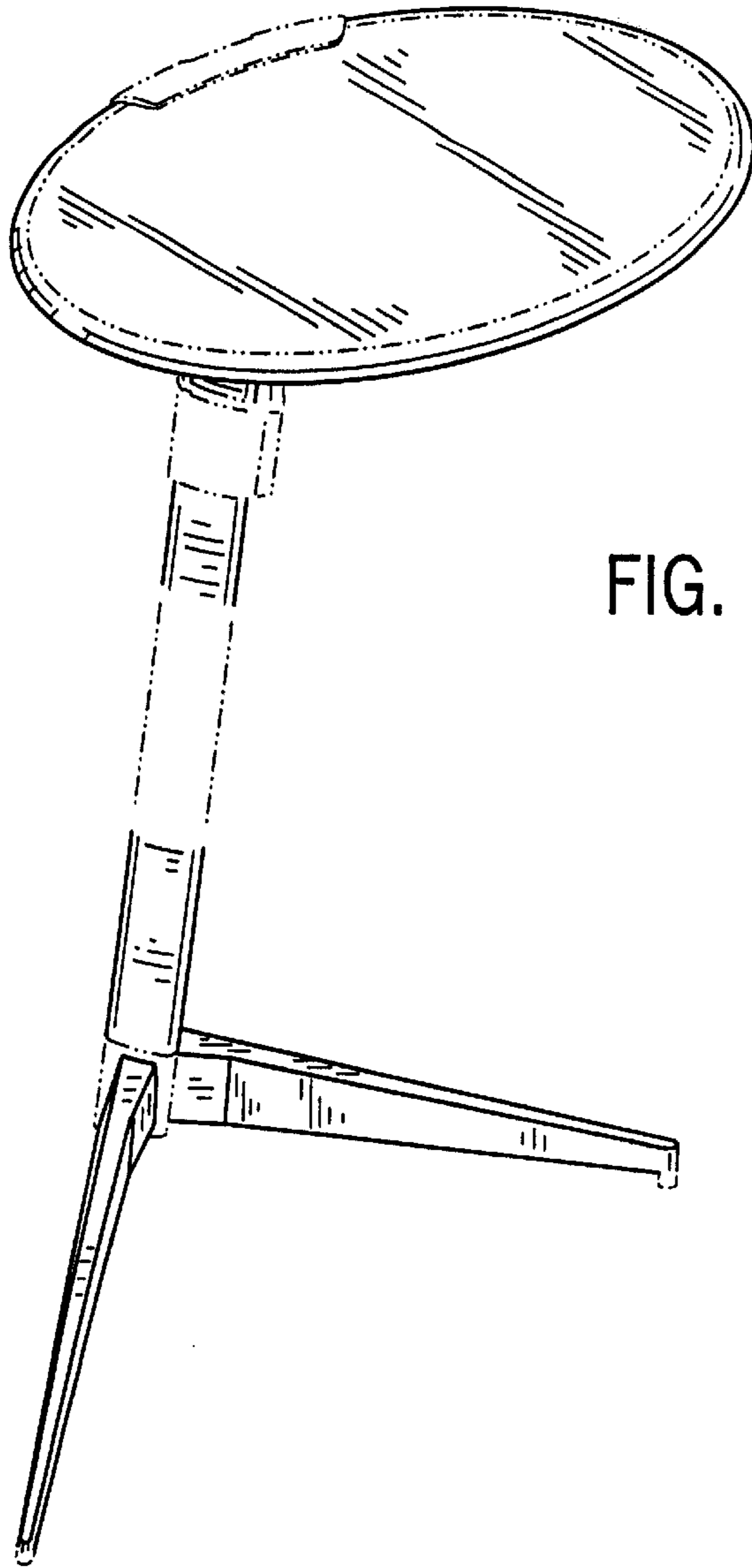


FIG. 8

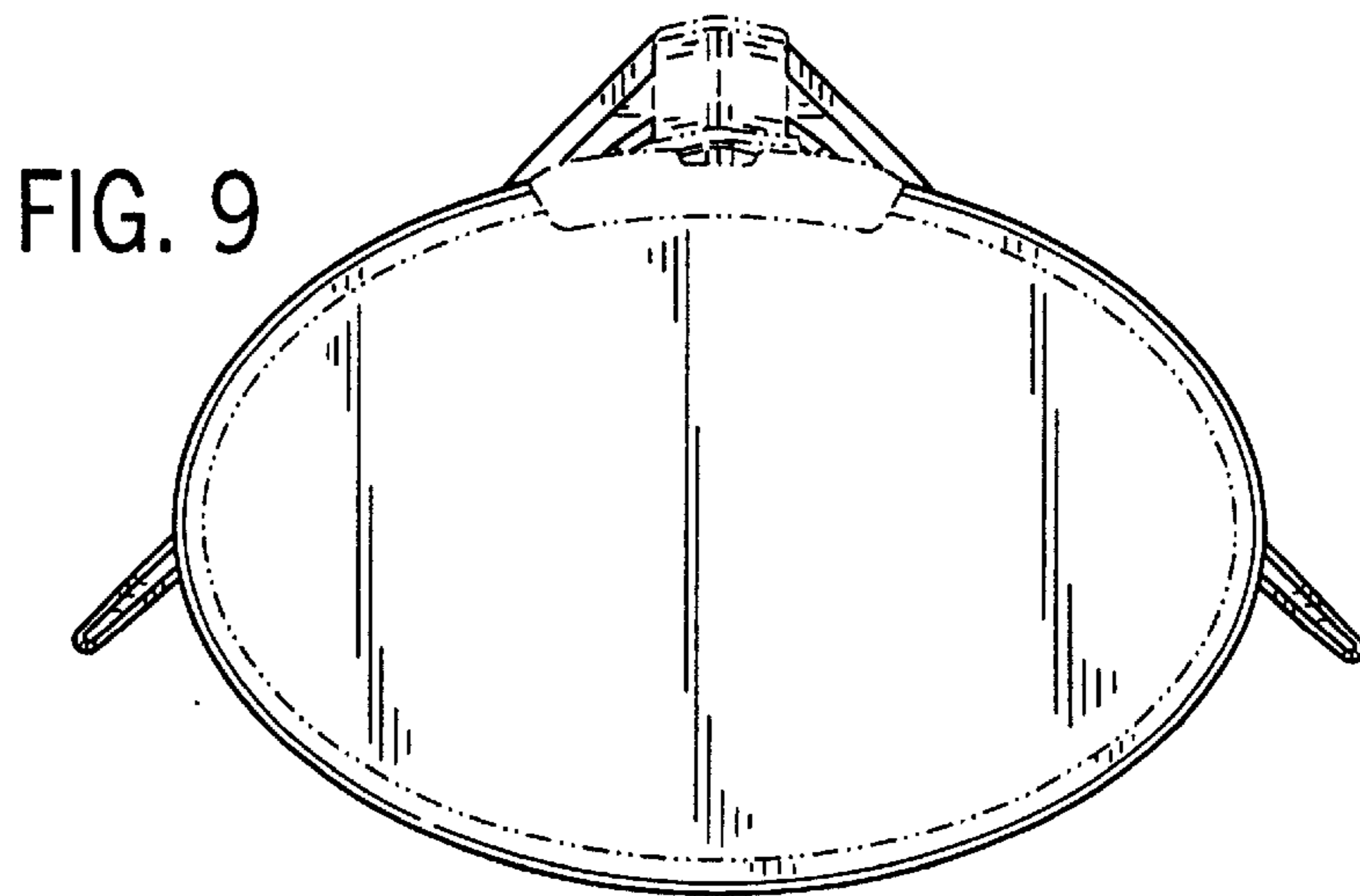


FIG. 9

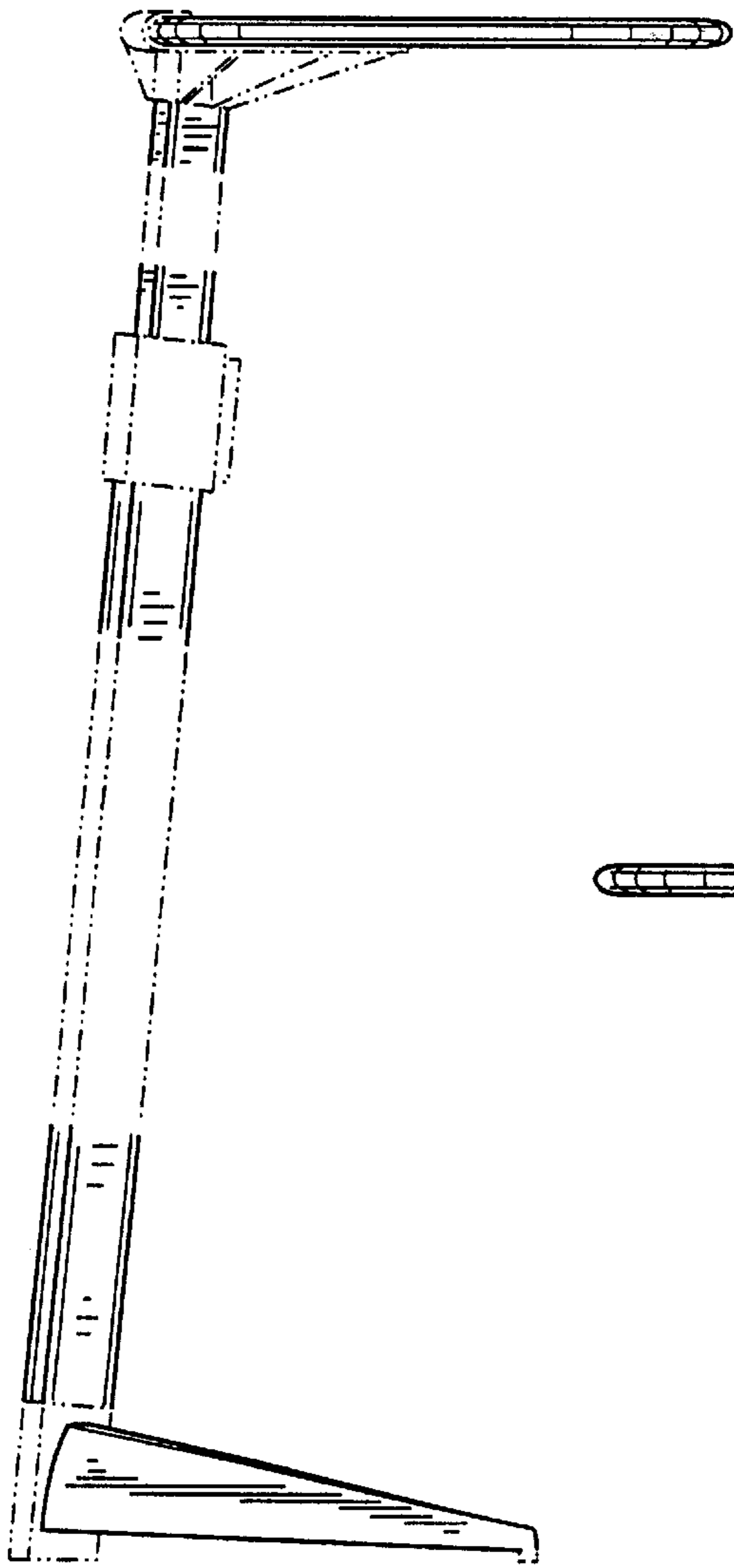


FIG. 10

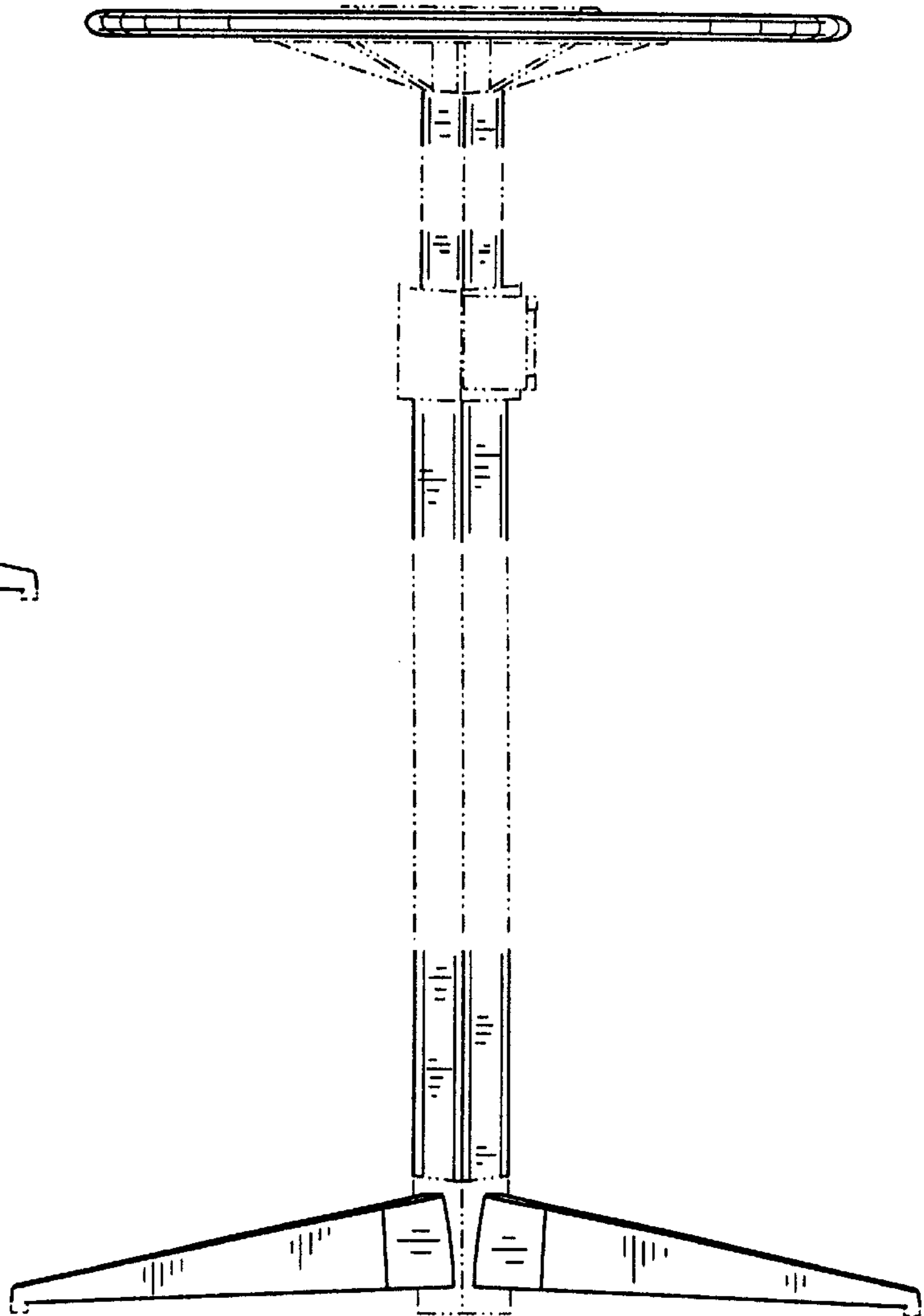


FIG. 11

FIG. 14

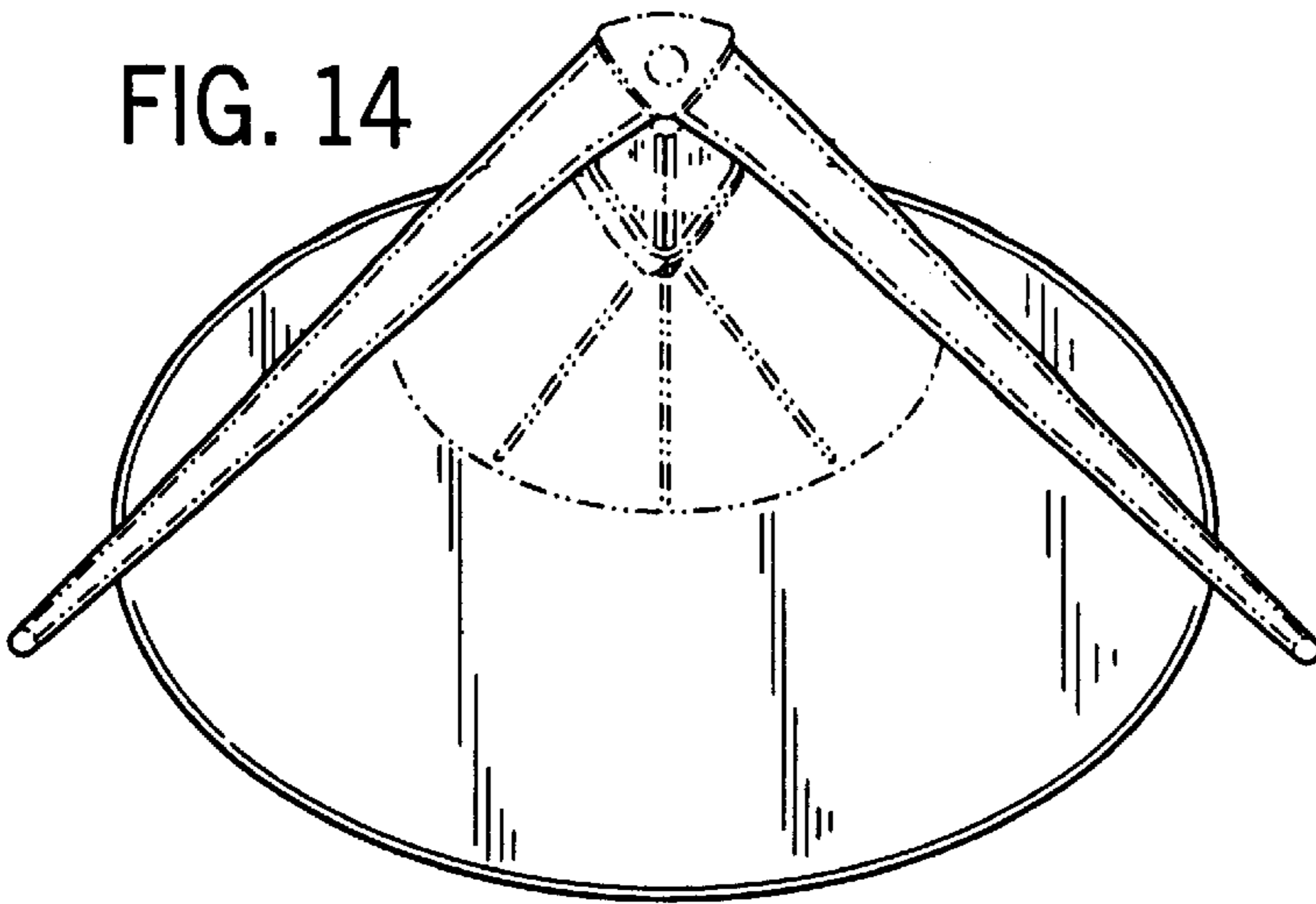


FIG. 13

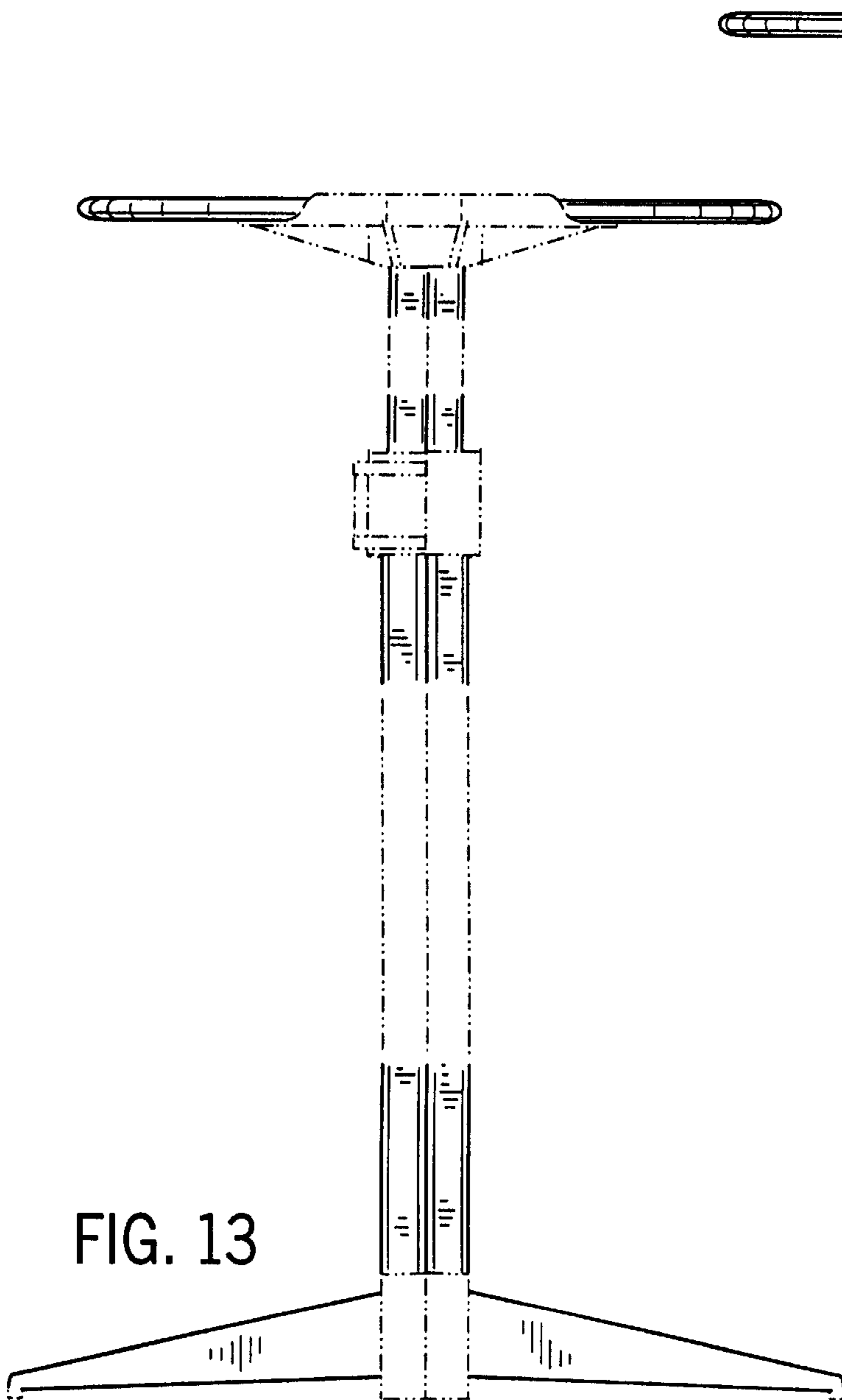


FIG. 12

