



US00D441223S

(12) **United States Design Patent**
Reeves et al.

(10) **Patent No.:** **US D441,223 S**

(45) **Date of Patent:** **** May 1, 2001**

(54) **COLLECTIBLES DISPLAY CASE**

(75) Inventors: **Lisa Marie Reeves; Devlan Duane Reeves**, both of Edgerton, KS (US)

(73) Assignee: **New Century Displays, Inc.**, New Century, KS (US)

(**) Term: **14 Years**

(21) Appl. No.: **29/105,157**

(22) Filed: **May 19, 1999**

(51) **LOC (7) Cl.** **06-04**

(52) **U.S. Cl.** **D6/470**

(58) **Field of Search** D6/470, 436, 466-469, D6/314, 559, 573; 206/0.8-0.84, 769, 770, 771, 235, 6.1, 776, 777; 312/114, 126-130, 245, 204; 428/13

(56) **References Cited**

U.S. PATENT DOCUMENTS

- D. 45,537 * 3/1914 Karpeles D6/470
- D. 300,793 * 4/1989 Sims D6/559
- D. 316,197 * 4/1991 Baker D6/469

- D. 366,796 * 2/1996 Crowley D6/559
- 5,118,171 * 6/1992 Ortiz 312/114
- 5,191,972 * 3/1993 Helzer et al. 206/0.8
- 5,603,410 * 2/1997 Kara 206/769

* cited by examiner

Primary Examiner—Doris V. Coles

Assistant Examiner—Linda Brooks

(74) *Attorney, Agent, or Firm*—Shook, Hardy & Bacon

(57) **CLAIM**

The ornamental design for a collectible displays case, as shown and described.

DESCRIPTION

FIG. 1 is a front perspective view of a collectibles display case according to the present invention;
 FIG. 2 is a left side elevation view with the right side elevation view being a mirror image thereof;
 FIG. 3 is a front elevation view thereof;
 FIG. 4 is a rear elevation view thereof; and,
 FIG. 5 is a top plan view with the bottom plan view being a mirror image thereof.

1 Claim, 2 Drawing Sheets

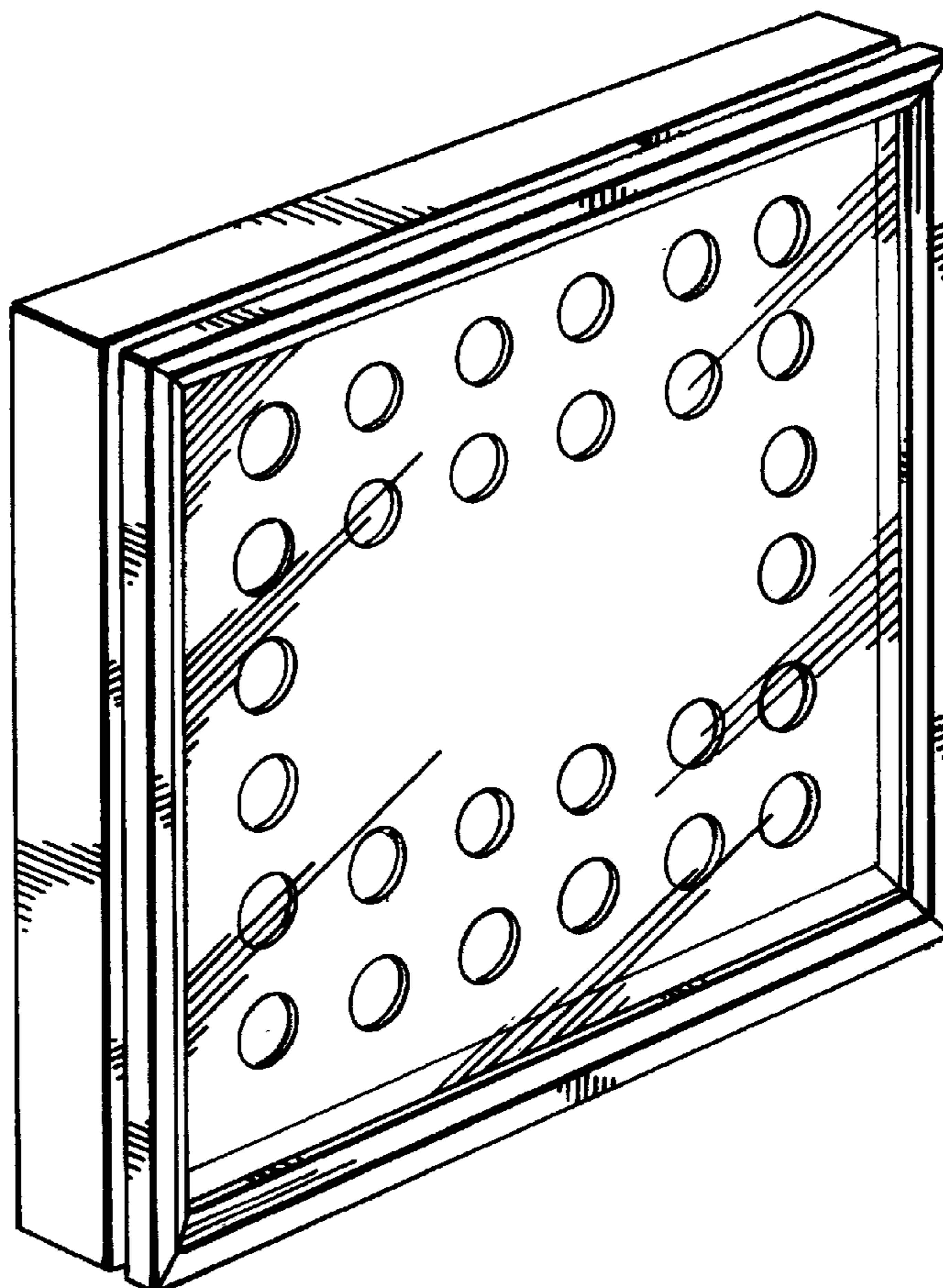


Fig. 1.

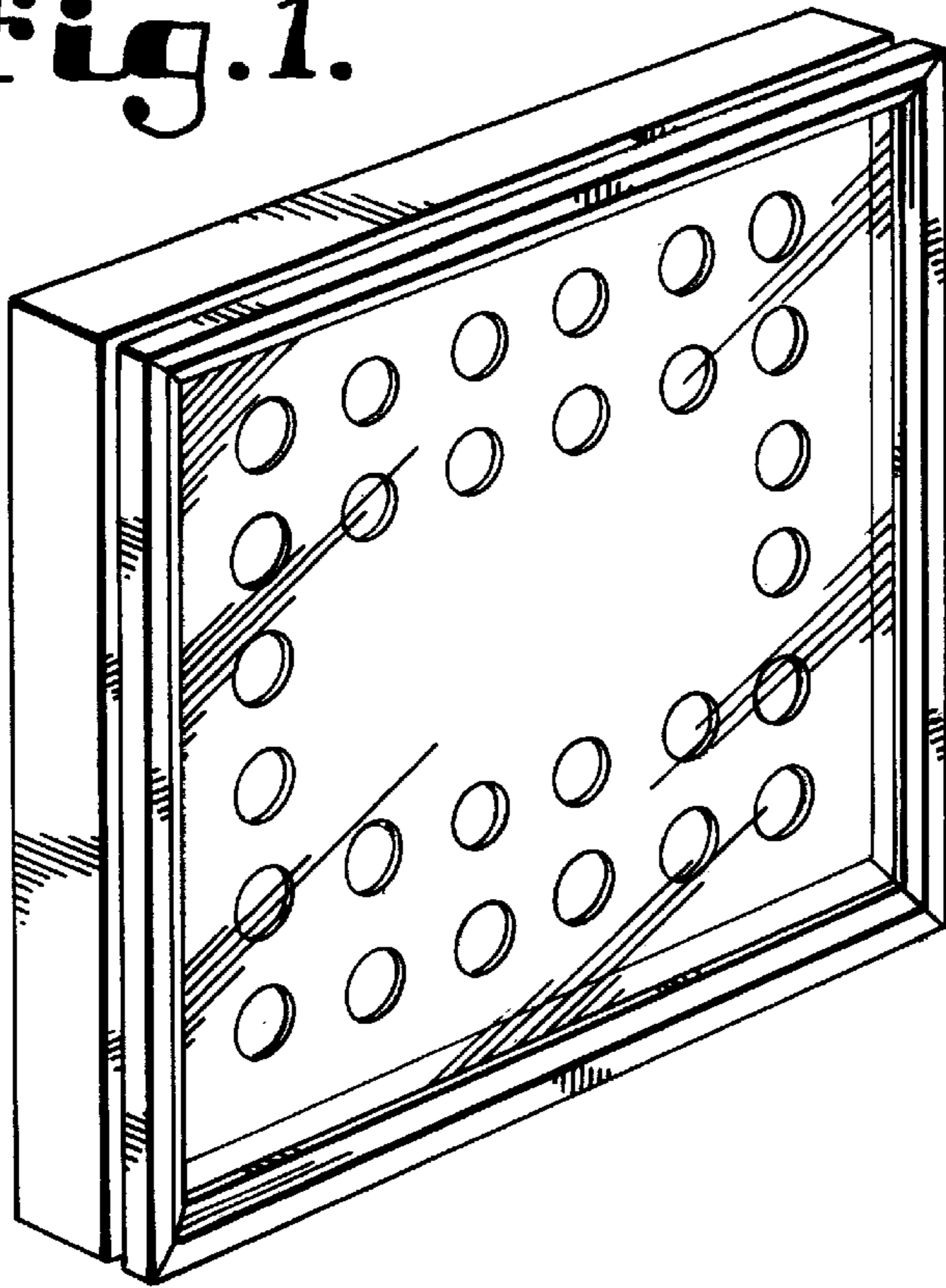


Fig. 2.

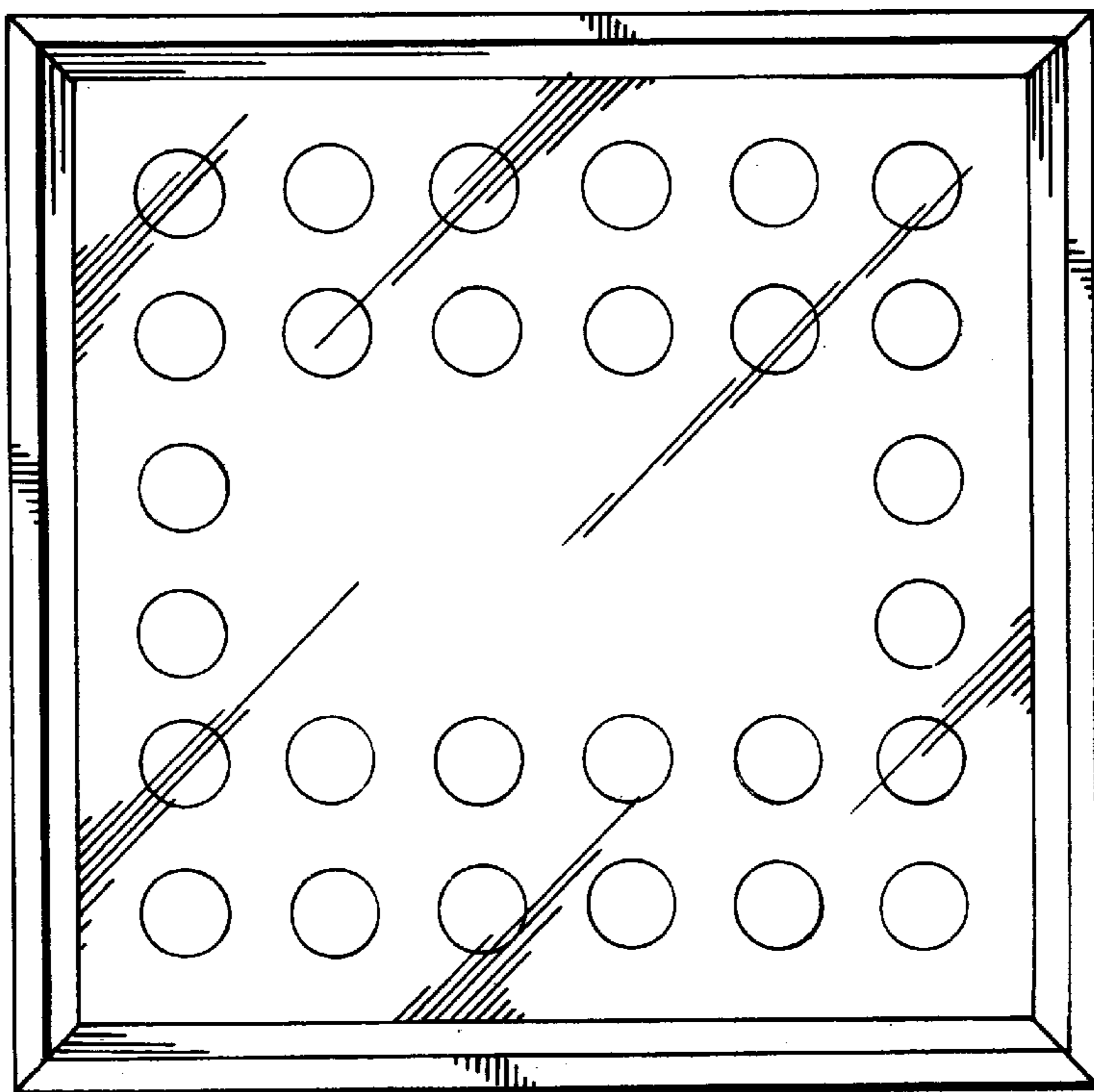
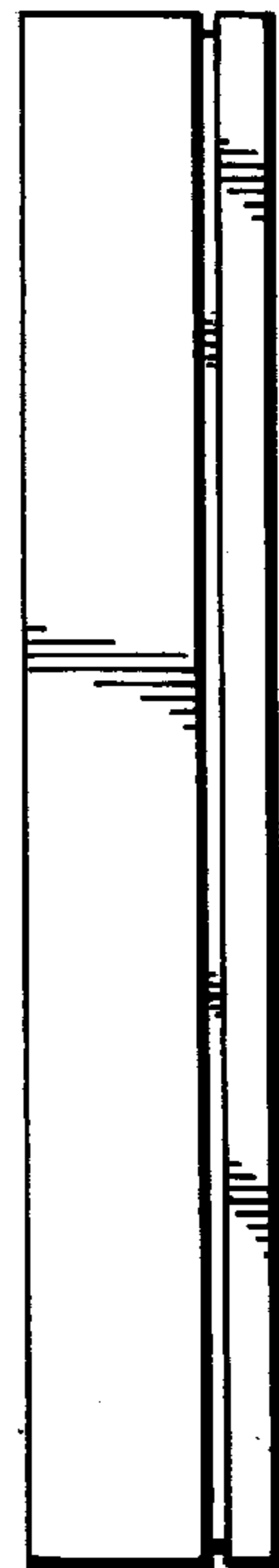


Fig. 3.

Fig. 4.

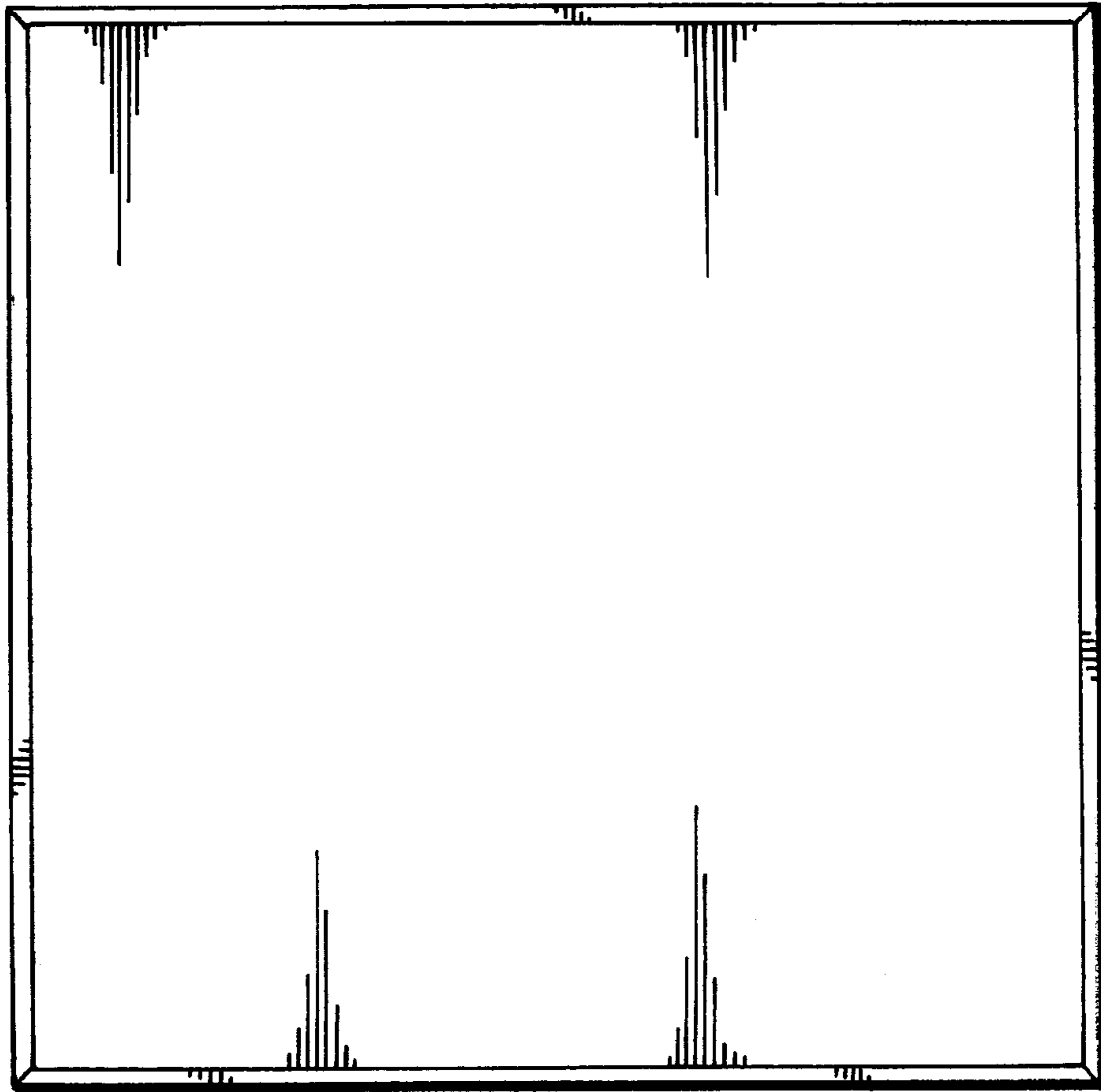


Fig. 5.

