



US00D441217S

(12) **United States Design Patent**  
**Pépin et al.**

(10) **Patent No.:** **US D441,217 S**

(45) **Date of Patent:** **\*\* May 1, 2001**

(54) **AUDIO/VIDEO STAND**

5,567,026 \* 10/1996 Lacewell ..... 312/135

(75) Inventors: **Michel Pépin**, Montréal; **Richard Martin**, Blainville, both of (CA)

\* cited by examiner

(73) Assignee: **Belbois Ltée**, Laval (CA)

*Primary Examiner*—Prabhakar Deshmukh

(\*\*) Term: **14 Years**

(74) *Attorney, Agent, or Firm*—ROBIC

(21) Appl. No.: **29/122,541**

(57) **CLAIM**

(22) Filed: **May 1, 2000**

The ornamental design for an audio/video stand, as shown and described.

(51) **LOC (7) Cl.** ..... **06-04**

**DESCRIPTION**

(52) **U.S. Cl.** ..... **D6/436**

FIG. 1 is a front perspective view of an audio/video stand showing our new design;

(58) **Field of Search** ..... D6/396, 407, 432-436, D6/437, 444, 449, 455, 461, 470, 479; 211/40, 42, 59.4, 85.6, 153, 134, 13.1; 312/114, 128, 129, 130, 257.1, 304, 408

FIG. 2 is a front elevational view thereof;

(56) **References Cited**

**U.S. PATENT DOCUMENTS**

- D. 302,911 \* 8/1989 Pei-AI ..... D6/72
- D. 314,296 \* 2/1991 Mason ..... D6/397
- D. 353,960 \* 1/1995 Barfield ..... D6/470
- D. 367,190 \* 2/1996 Berry, Jr. et al. .... D6/470
- D. 371,016 \* 6/1996 Walters, III et al. .... D6/470
- D. 424,829 \* 5/2000 Platts ..... D6/472
- 4,609,975 \* 9/1986 Badolato et al. .... 211/13 X
- 5,549,373 \* 8/1996 Bustos ..... 312/135

FIG. 3 is a side elevational view thereof, the other side new being a mirror copy of this view;

FIG. 4 is a rear elevational view thereof;

FIG. 5 is a top plan view thereof;

FIG. 6 is a bottom plan view thereof;

FIG. 7 is a front perspective view of a variant of our design;

FIG. 8 is a front elevational view of the variant;

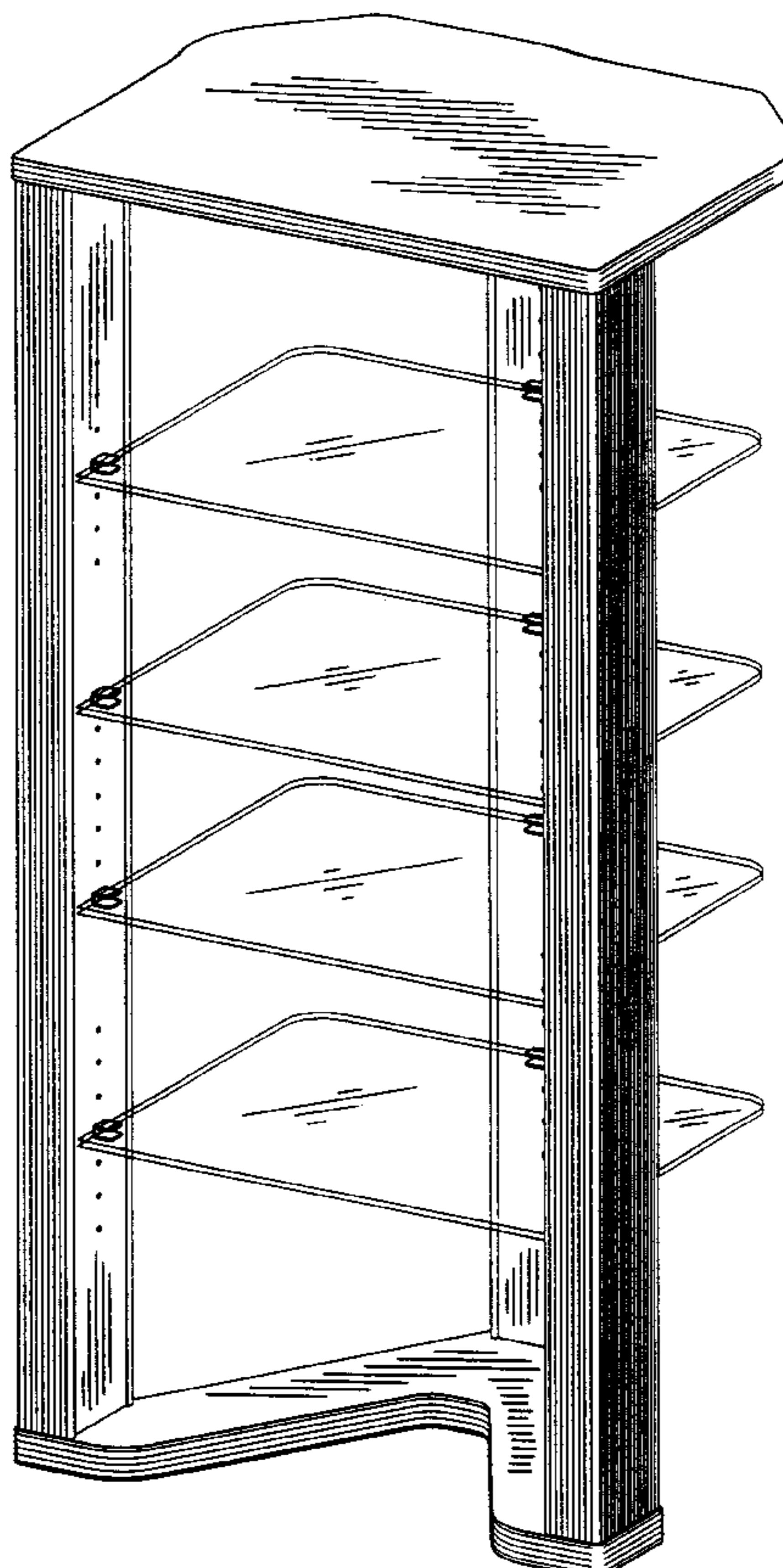
FIG. 9 is a side elevational view of the variant, the other side view being a mirror copy of this view;

FIG. 10 is a rear elevational view of the variant;

FIG. 11 is a top plan view of the variant; and,

FIG. 12 is a bottom plan view of the variant.

**1 Claim, 12 Drawing Sheets**



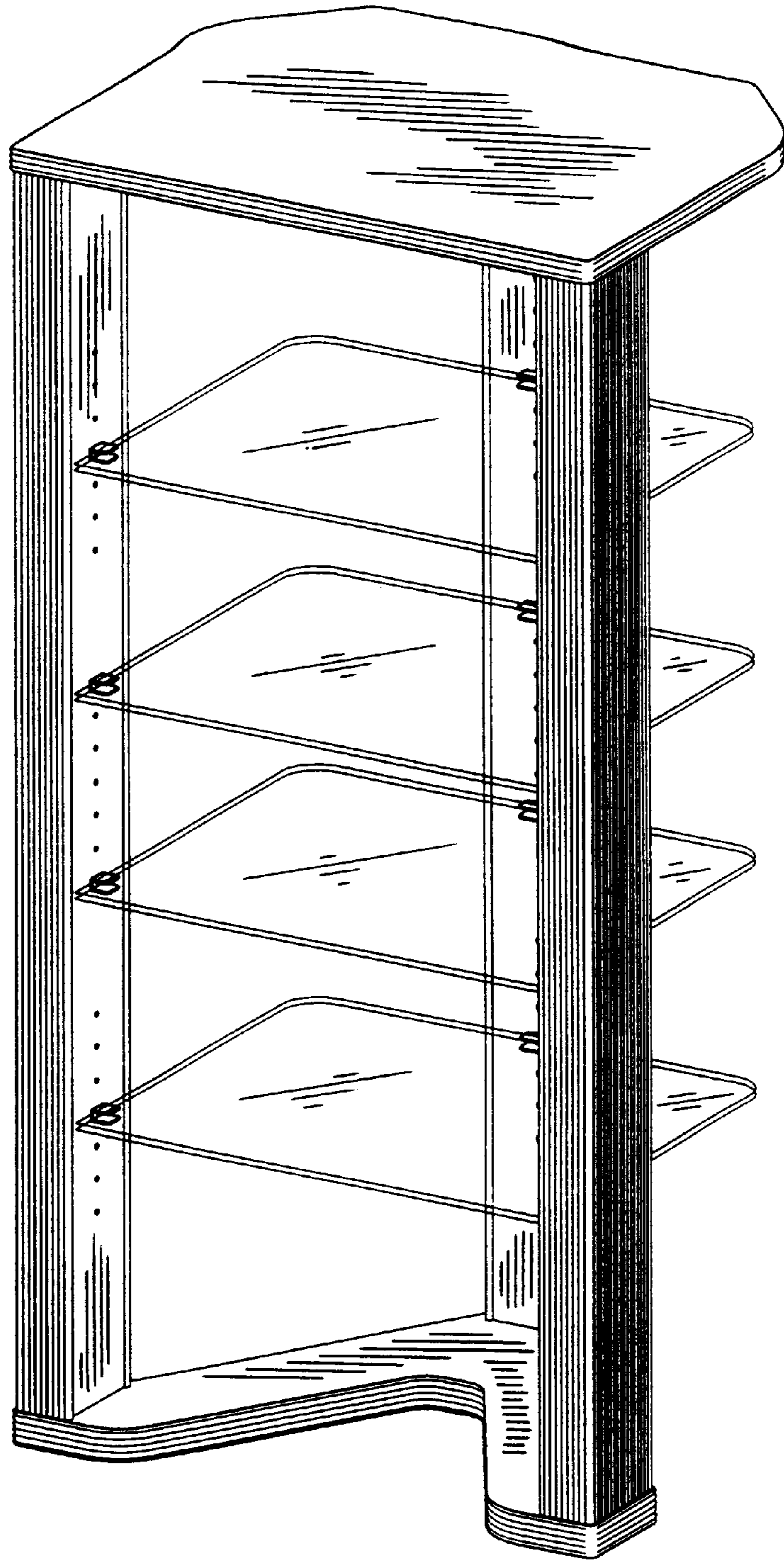


FIG. 1

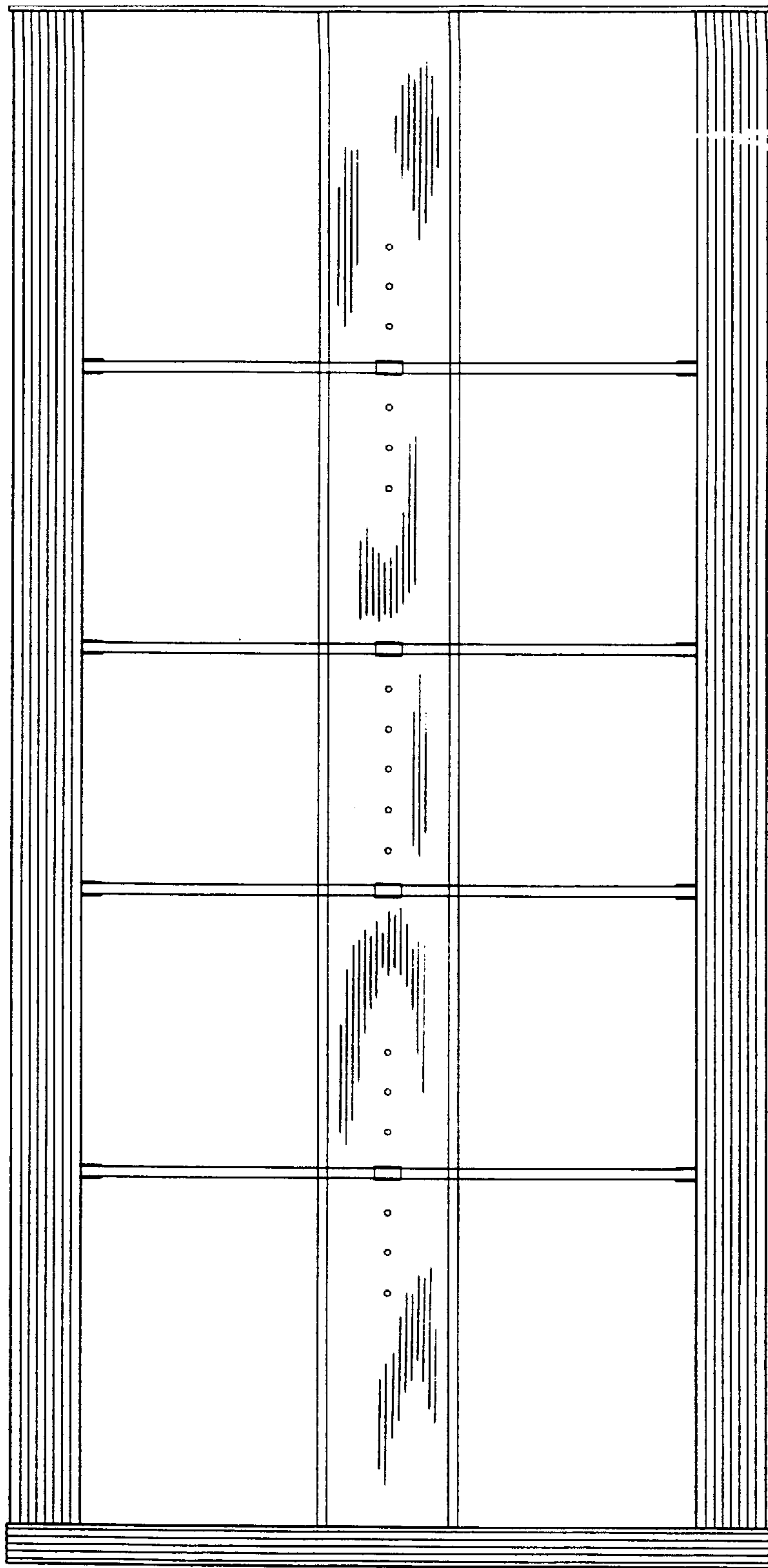


FIG. 2

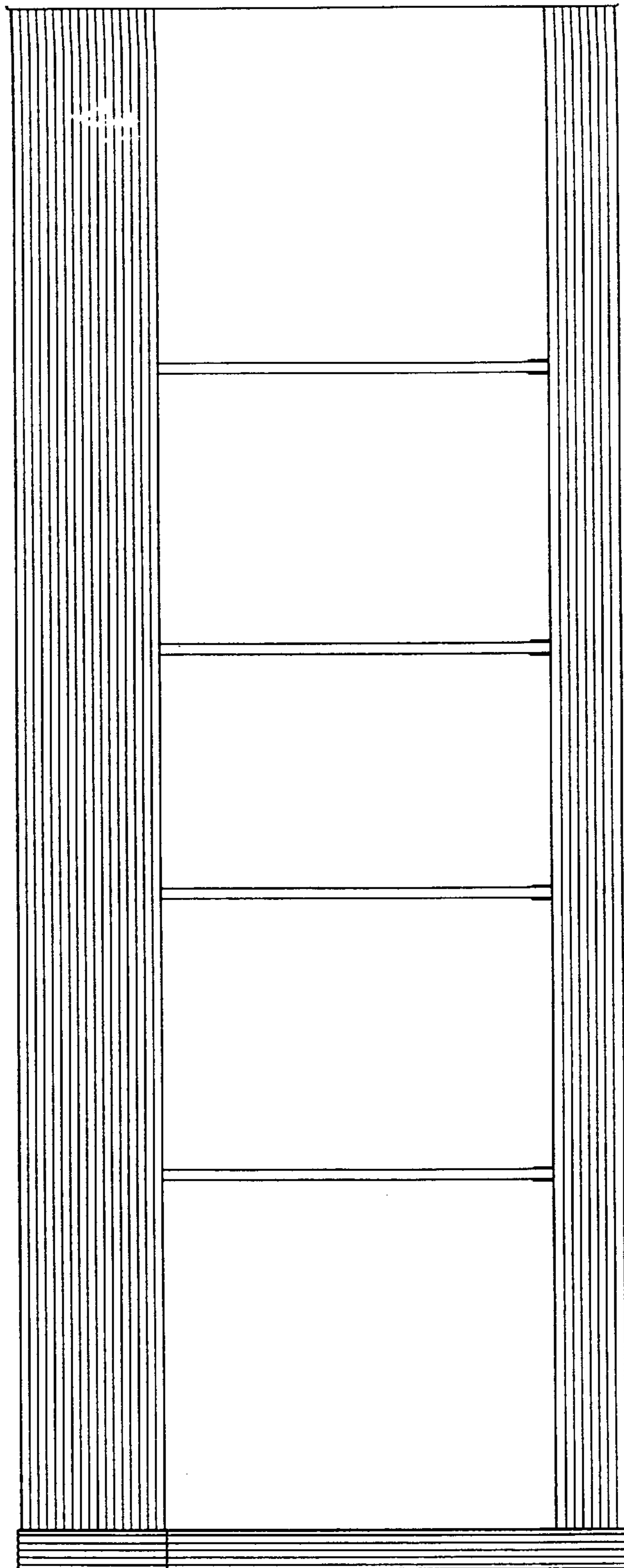


FIG. 3

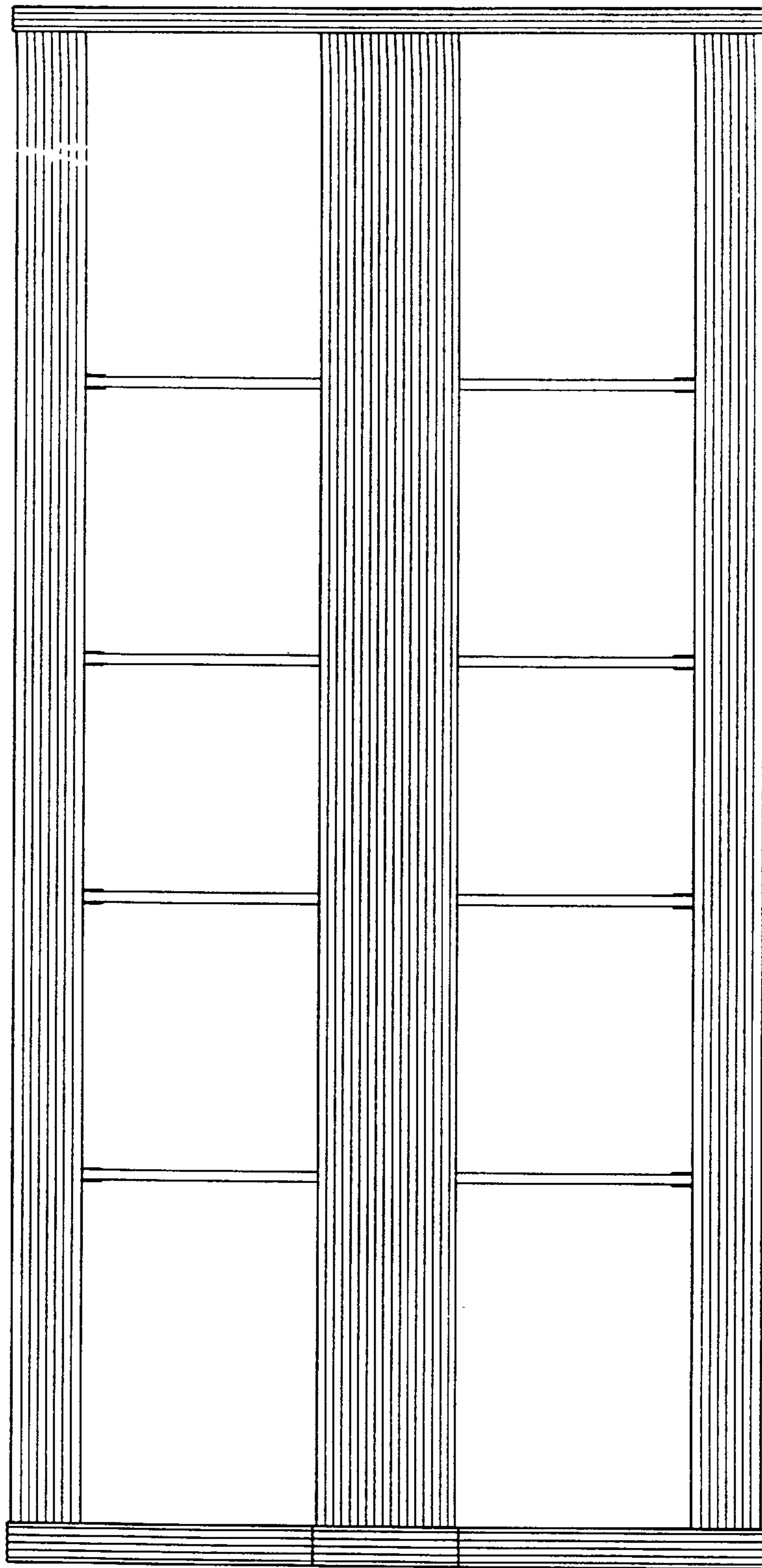


FIG. 4

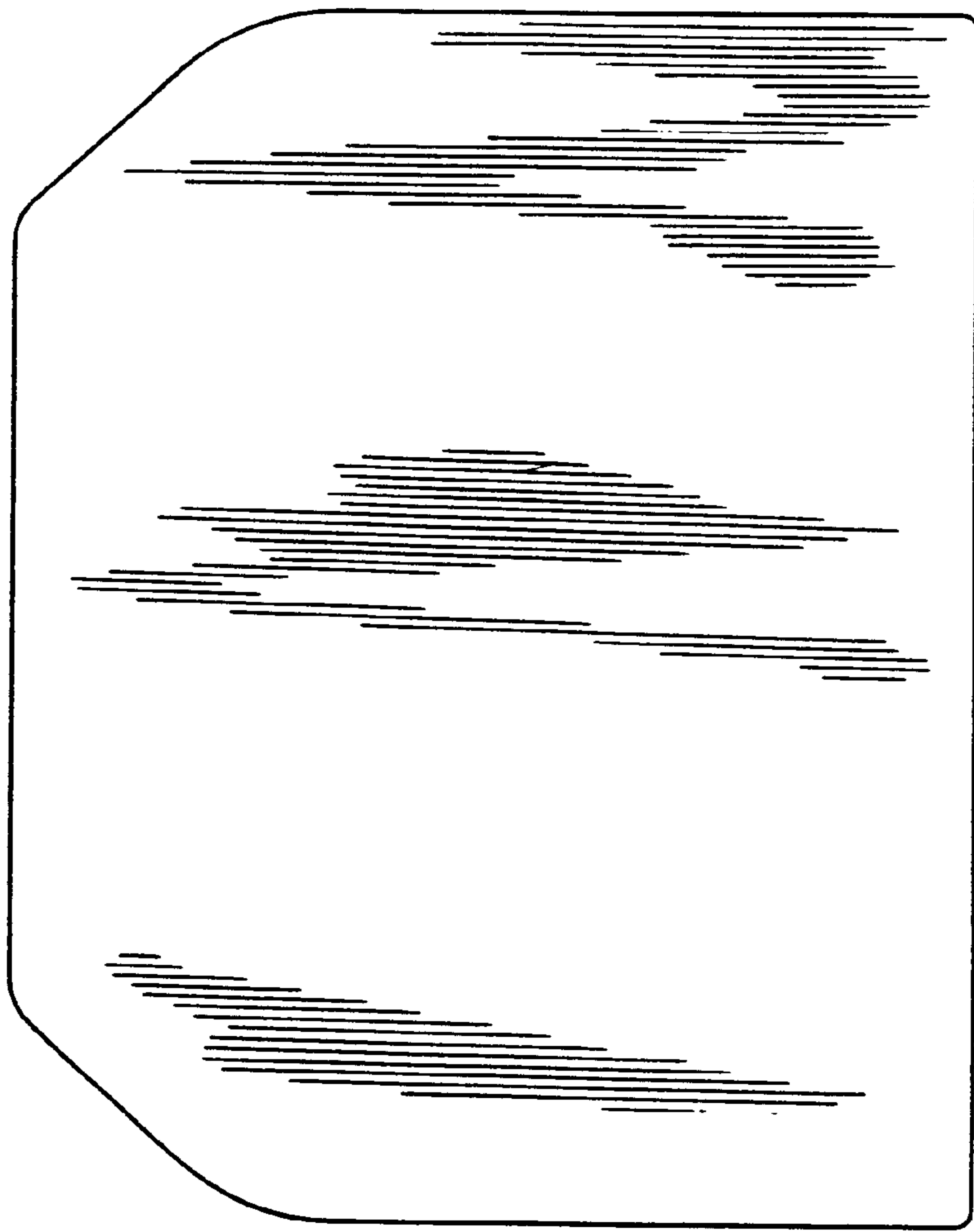


FIG. 5

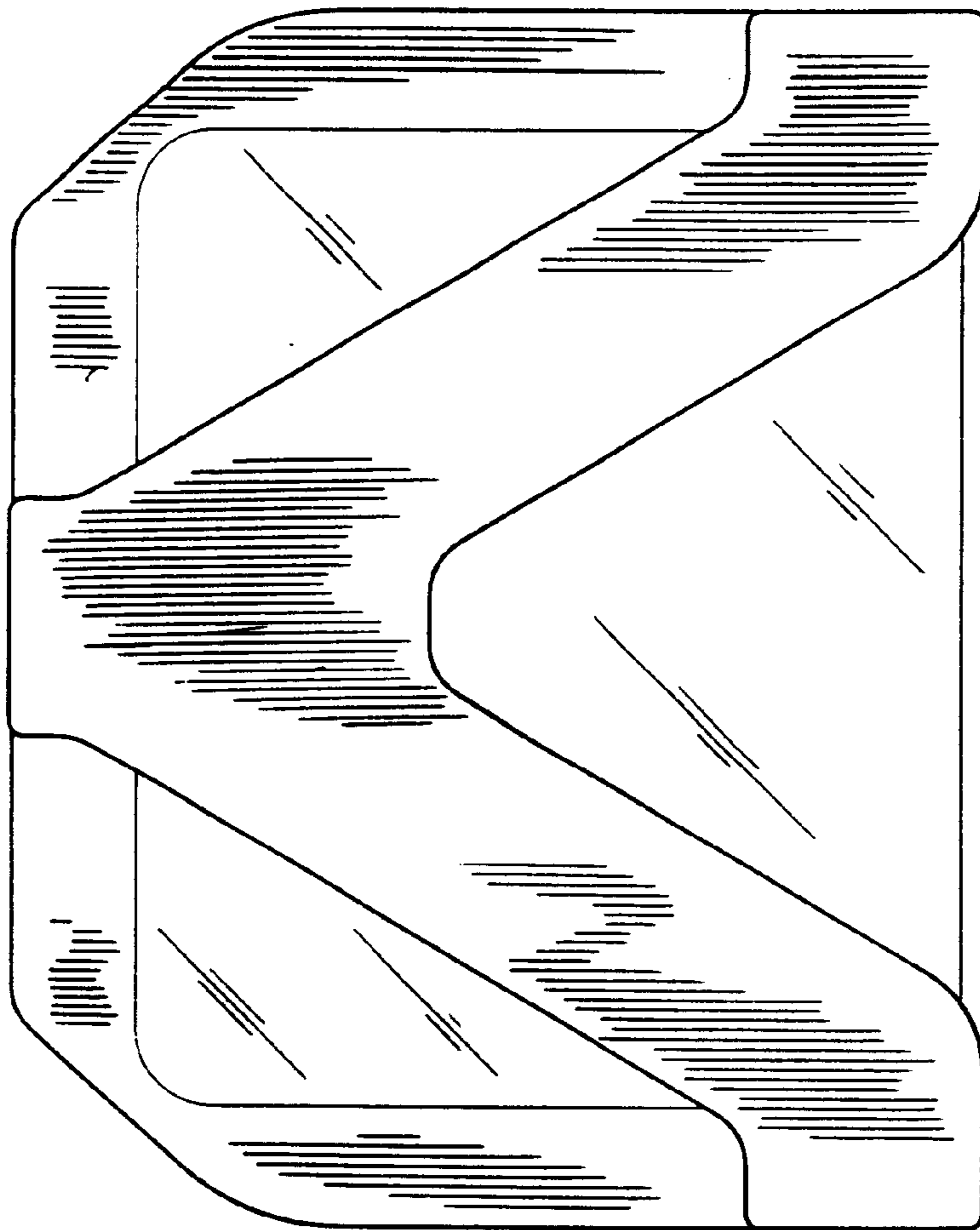


FIG. 6

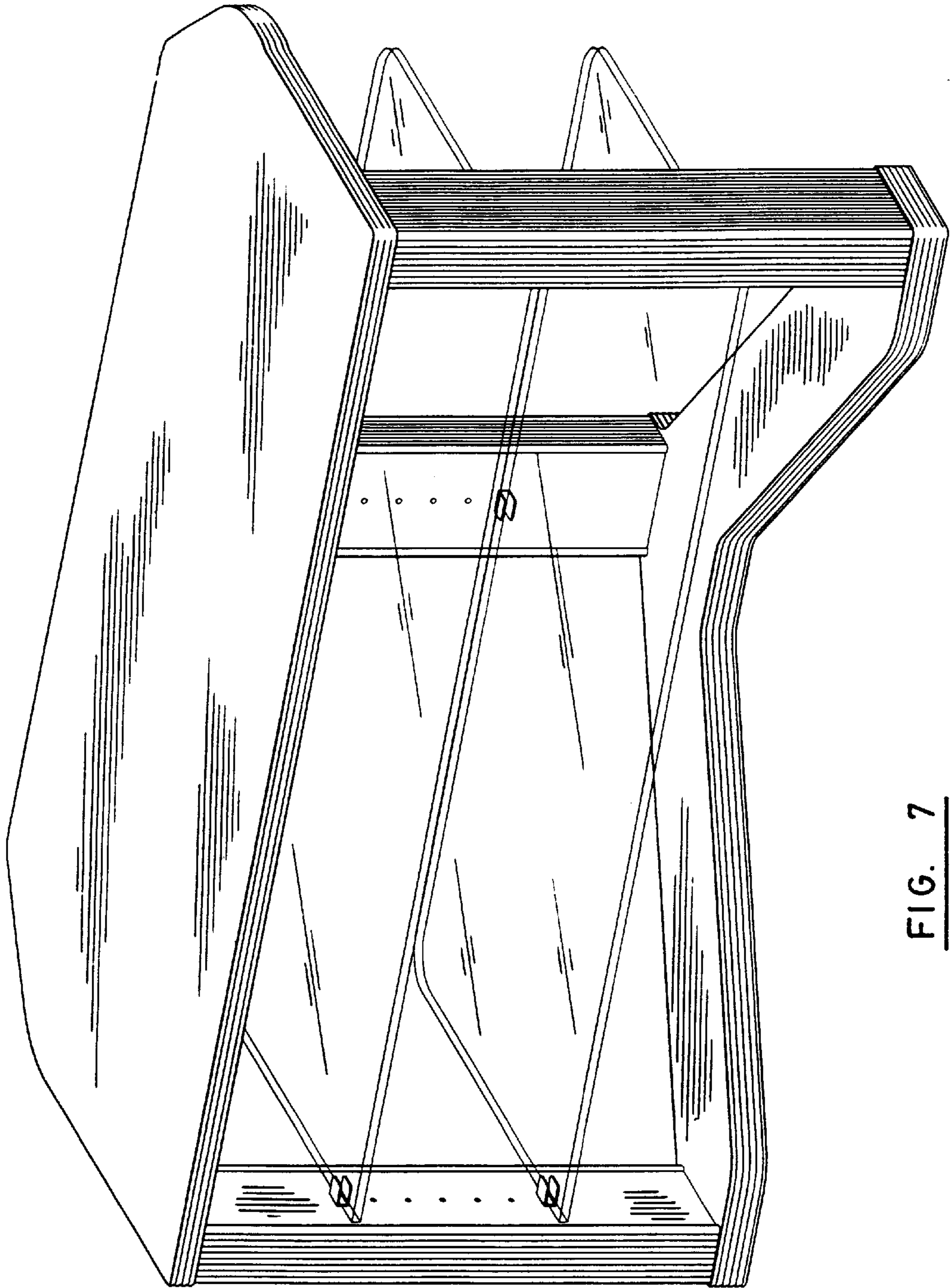


FIG. 7



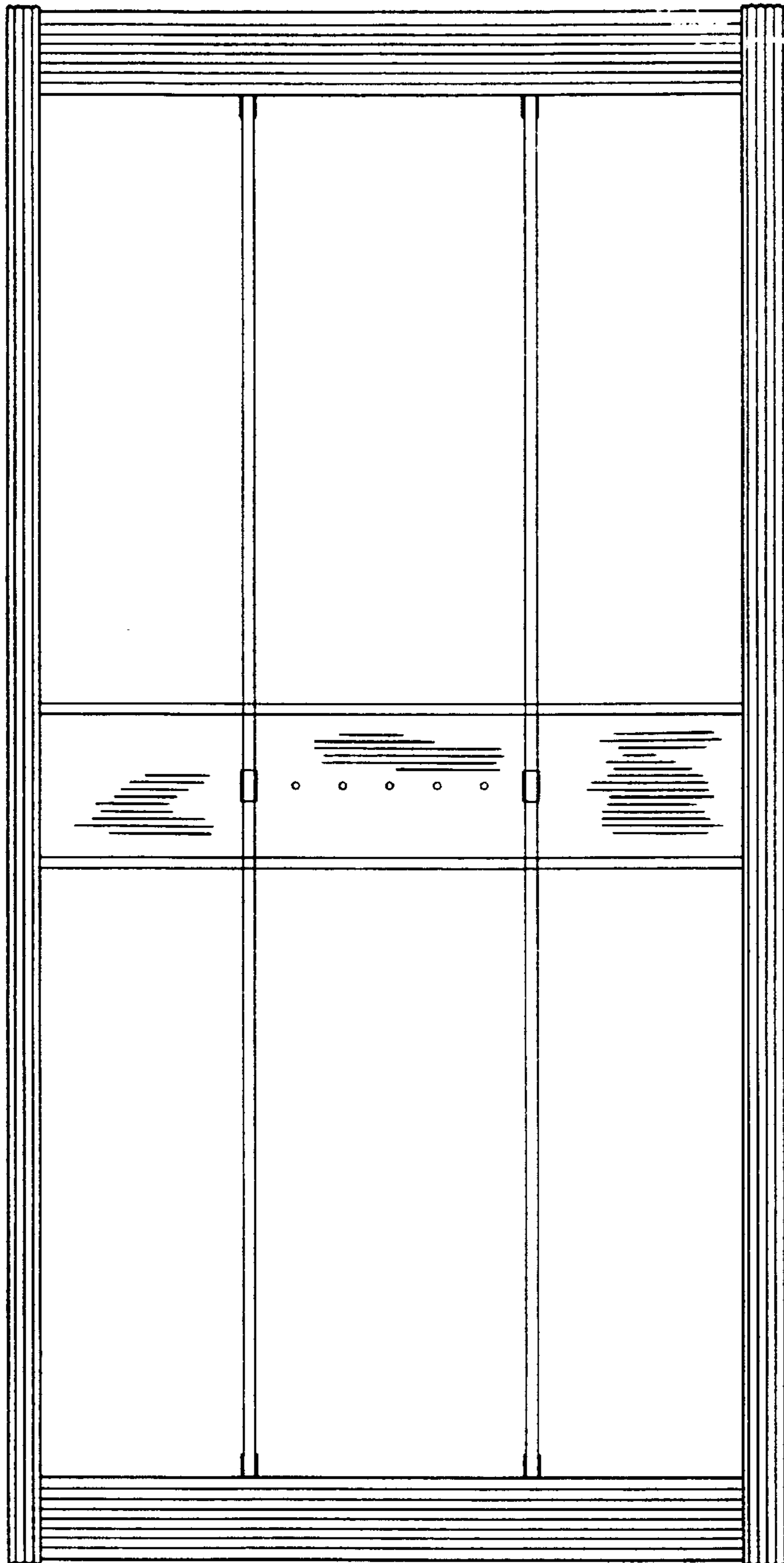


FIG. 8

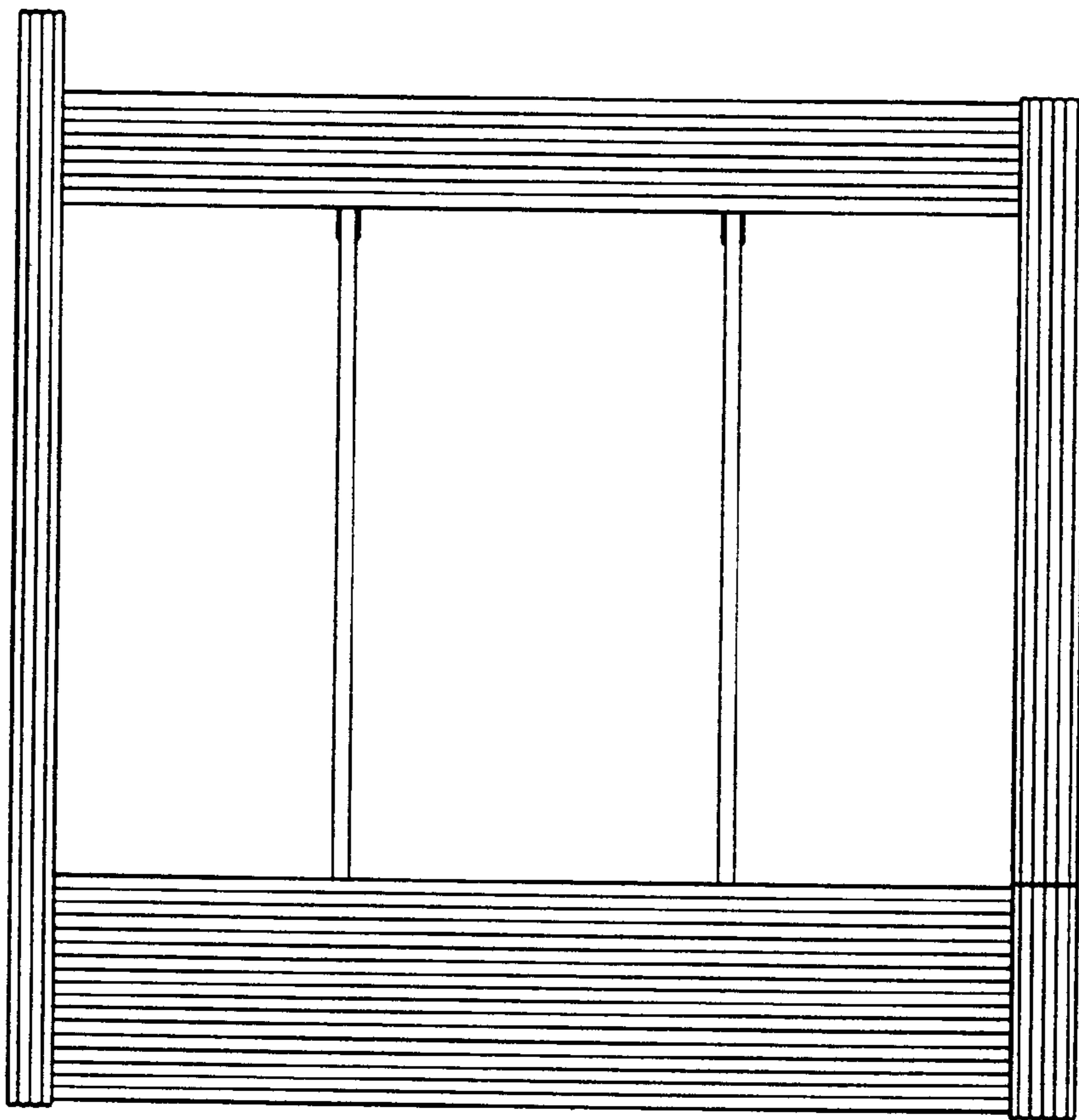


FIG. 9

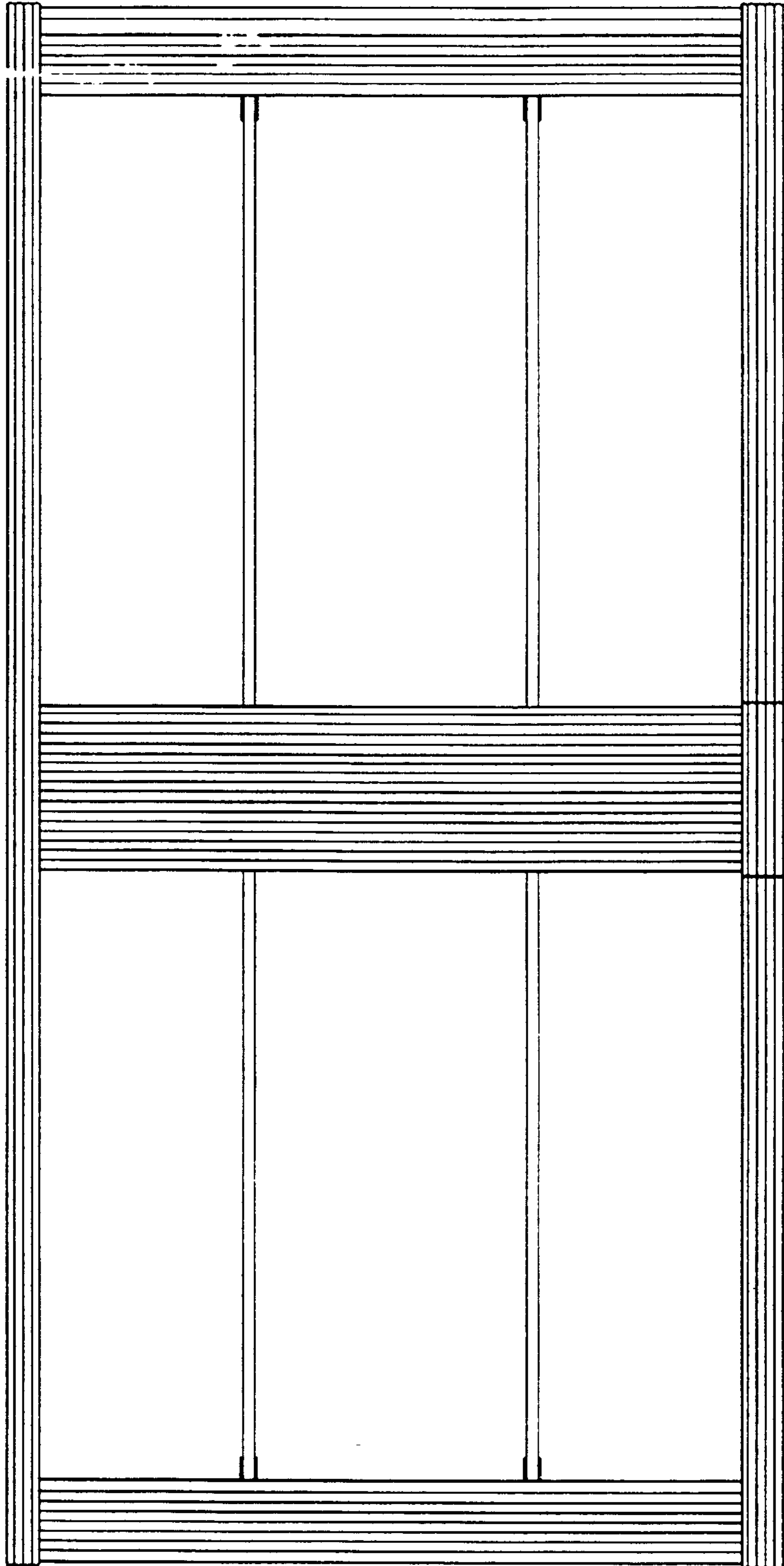


FIG. 10

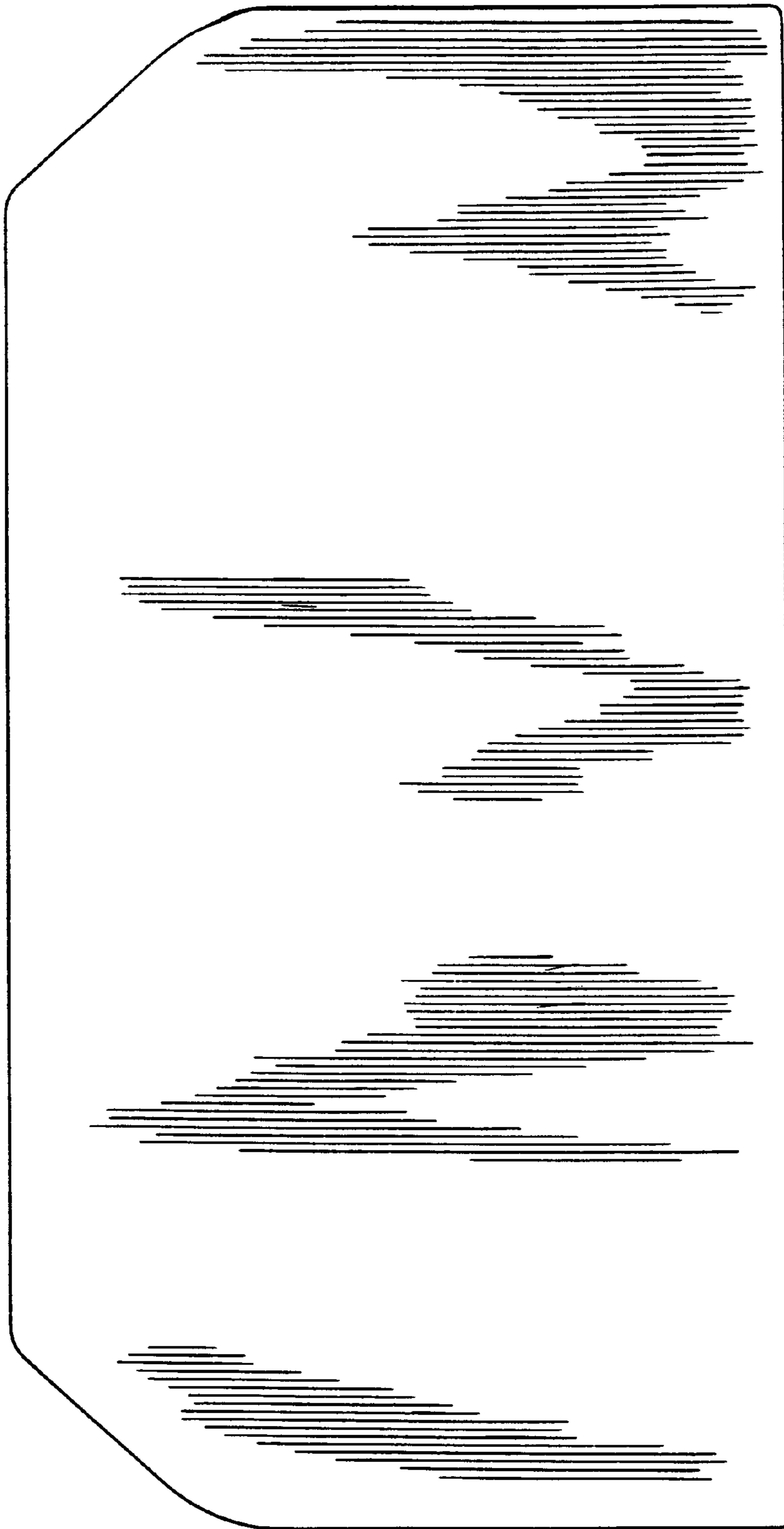


FIG. 11

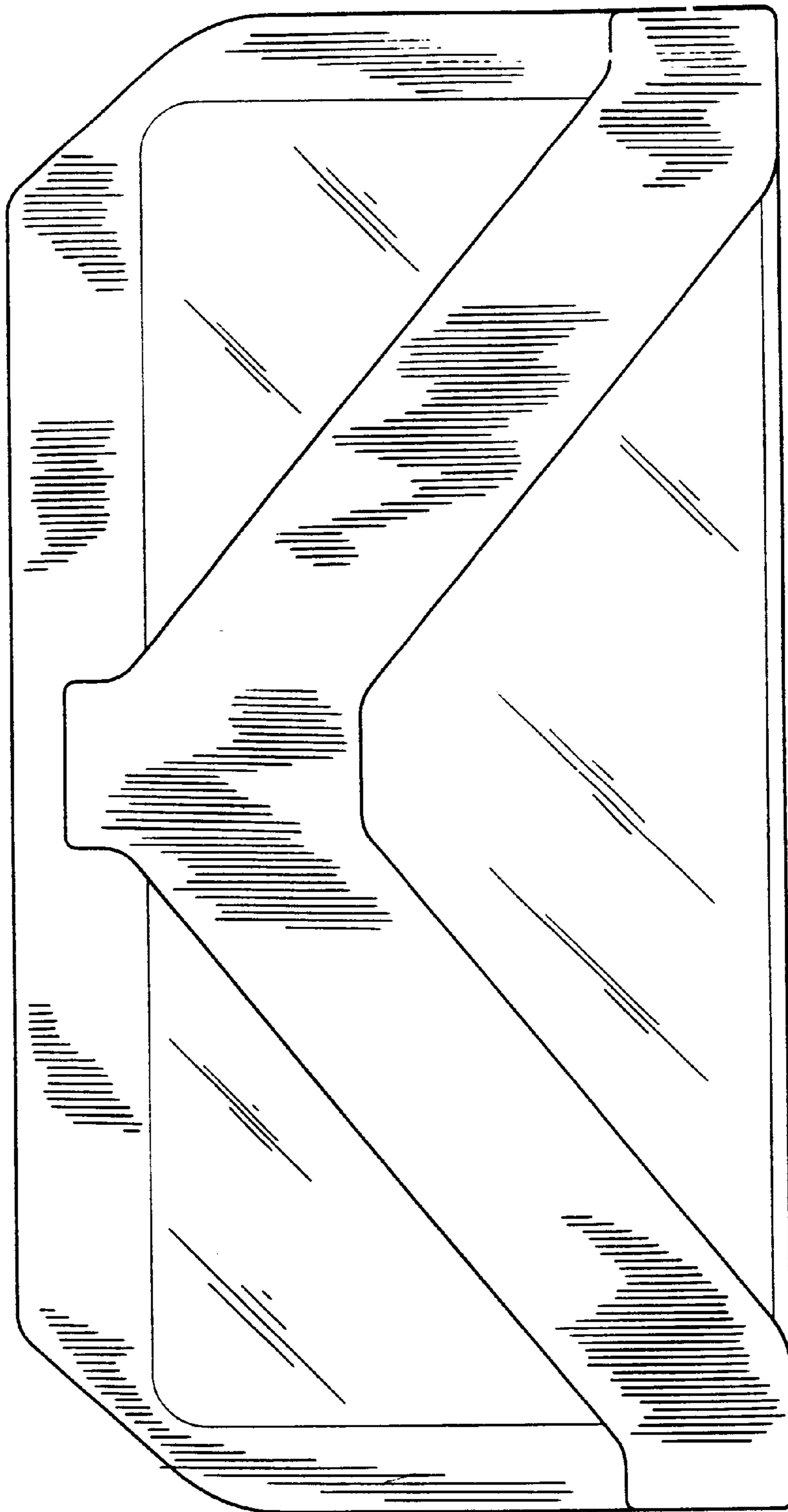


FIG. 12