



US00D441209S

(12) **United States Design Patent**
Hagström

(10) **Patent No.:** **US D441,209 S**

(45) **Date of Patent:** **** May 1, 2001**

(54) **CHAIR**

D. 374,354 * 10/1996 Opsvik D6/360
5,702,158 * 12/1997 Mengshoel et al. 297/445.1

(75) Inventor: **Kjell Ake Hagström, Växjö (SE)**

* cited by examiner

(73) Assignees: **Numéra Idéutveckling AB, Växjö ;
Vitech Sterling of Sweden AB,
Stockholm, both of (SE)**

Primary Examiner—Gary D. Watson

(**) Term: **14 Years**

(57) **CLAIM**

The ornamental design for a chair, as shown and described.

(21) Appl. No.: **29/097,513**

DESCRIPTION

(22) Filed: **Dec. 8, 1998**

FIG. 1 is a perspective view of the chair of the present invention;

(51) **LOC (7) Cl.** **06-01**

FIG. 2 is an elevational front view of the chair shown in FIG. 1;

(52) **U.S. Cl.** **D6/360; D6/367**

FIG. 3 is an elevational rear view of the chair shown in FIG. 2;

(58) **Field of Search** D6/330, 334, 335,
D6/336, 360, 367, 372, 374, 380, 500,
501, 502; 297/423.38, 423.4, 445.1

FIG. 4 is an elevational left side view of the chair shown in FIG. 2;

(56) **References Cited**

FIG. 5 is an elevational right side view of the chair shown in FIG. 2;

U.S. PATENT DOCUMENTS

D. 319,928 * 9/1991 Weimholt D6/330
D. 344,649 * 3/1994 Wilcox et al. D6/500
D. 370,569 * 6/1996 Opsvik D6/360

FIG. 6 is a top view of the chair shown in FIG. 2; and,
FIG. 7 is a bottom view of the chair shown in FIG. 2.

1 Claim, 4 Drawing Sheets

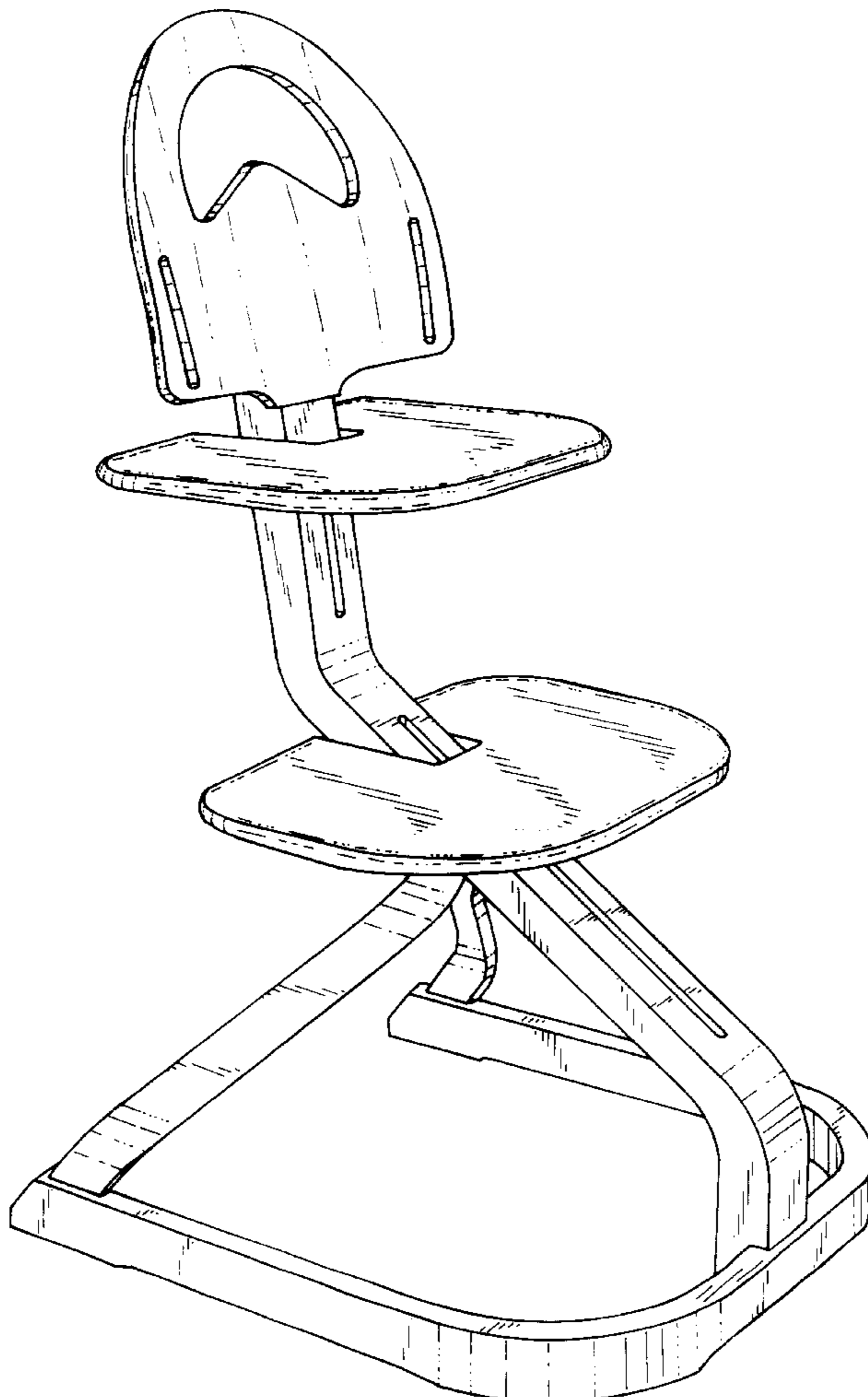
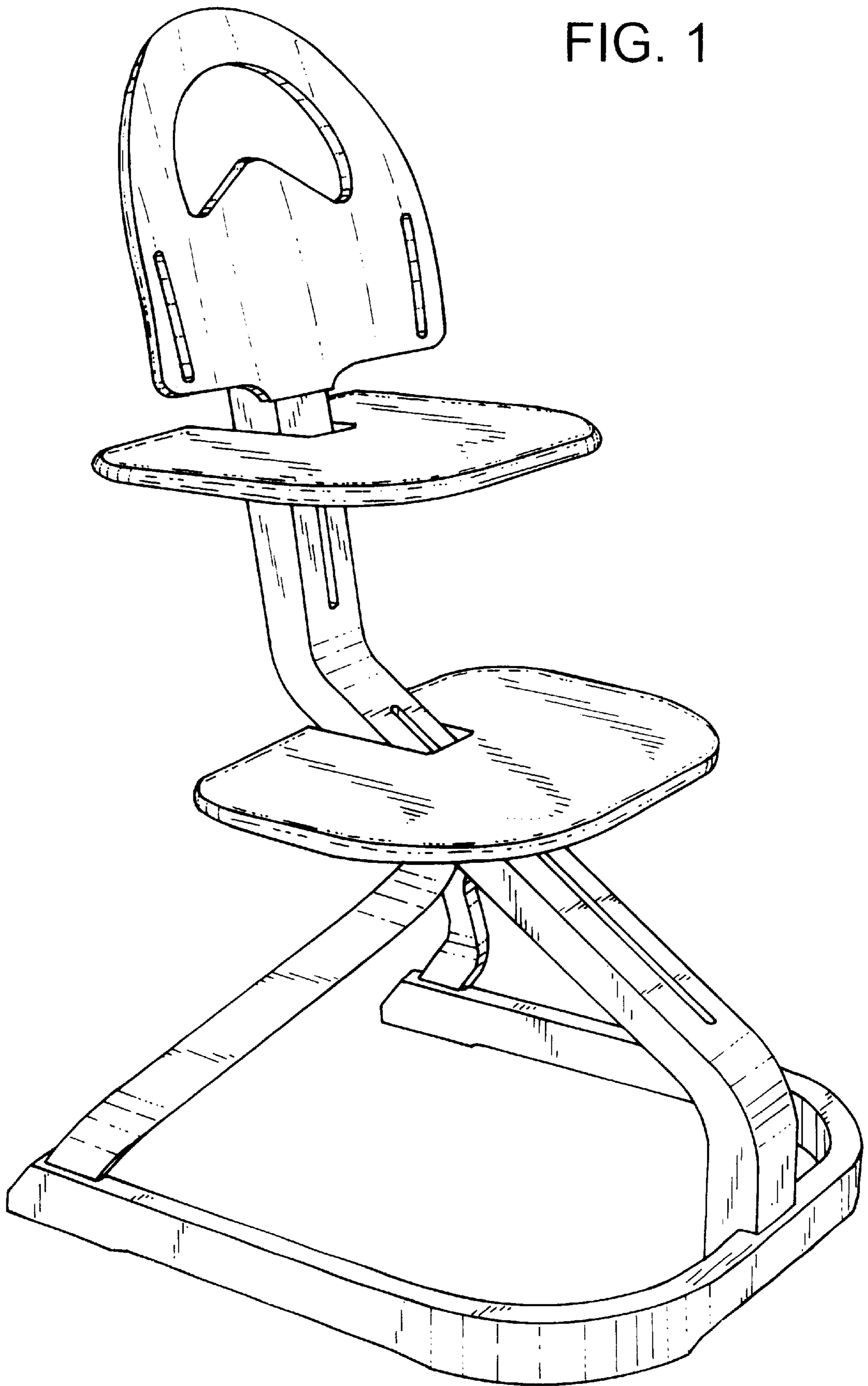


FIG. 1



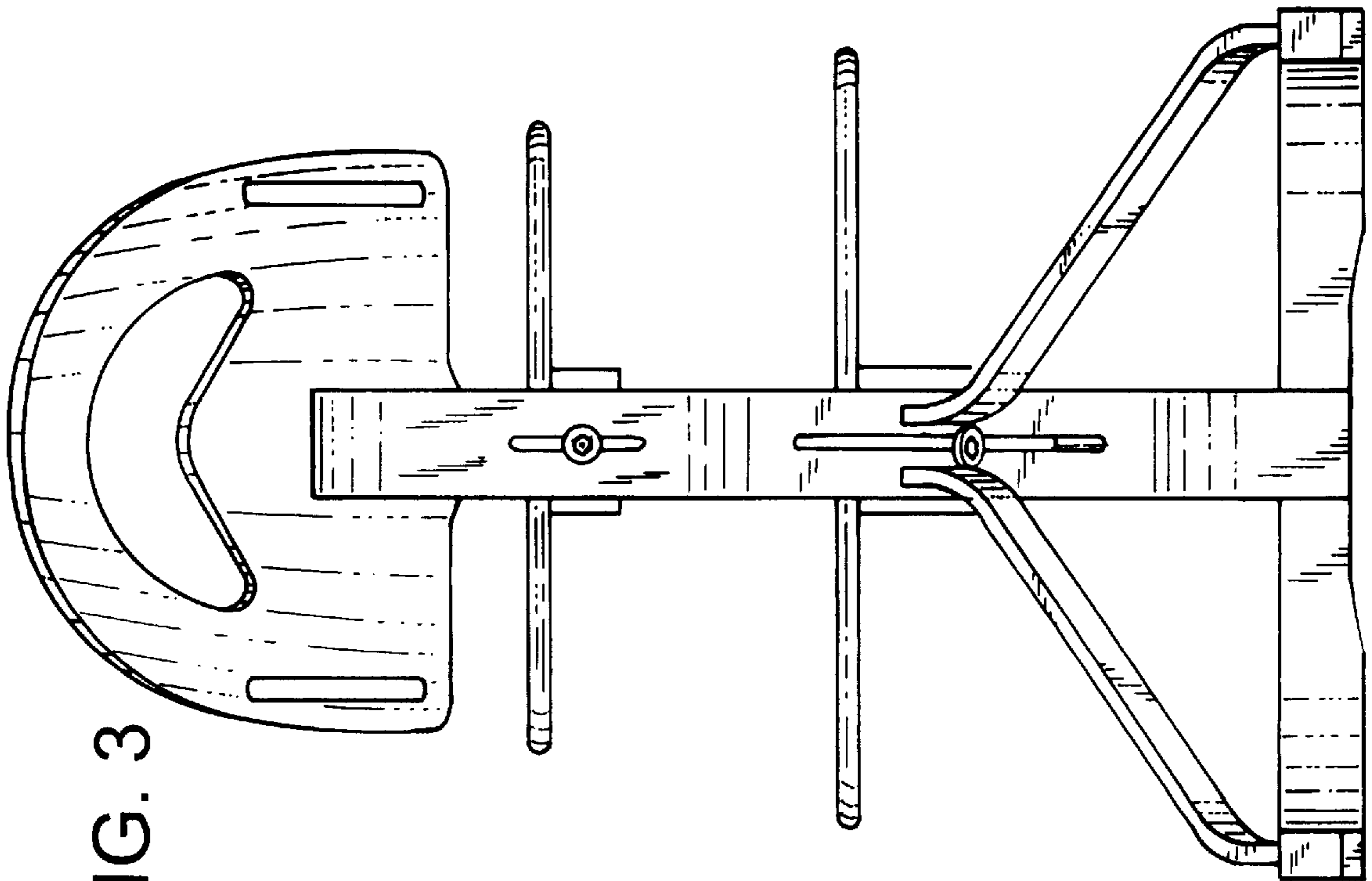


FIG. 3

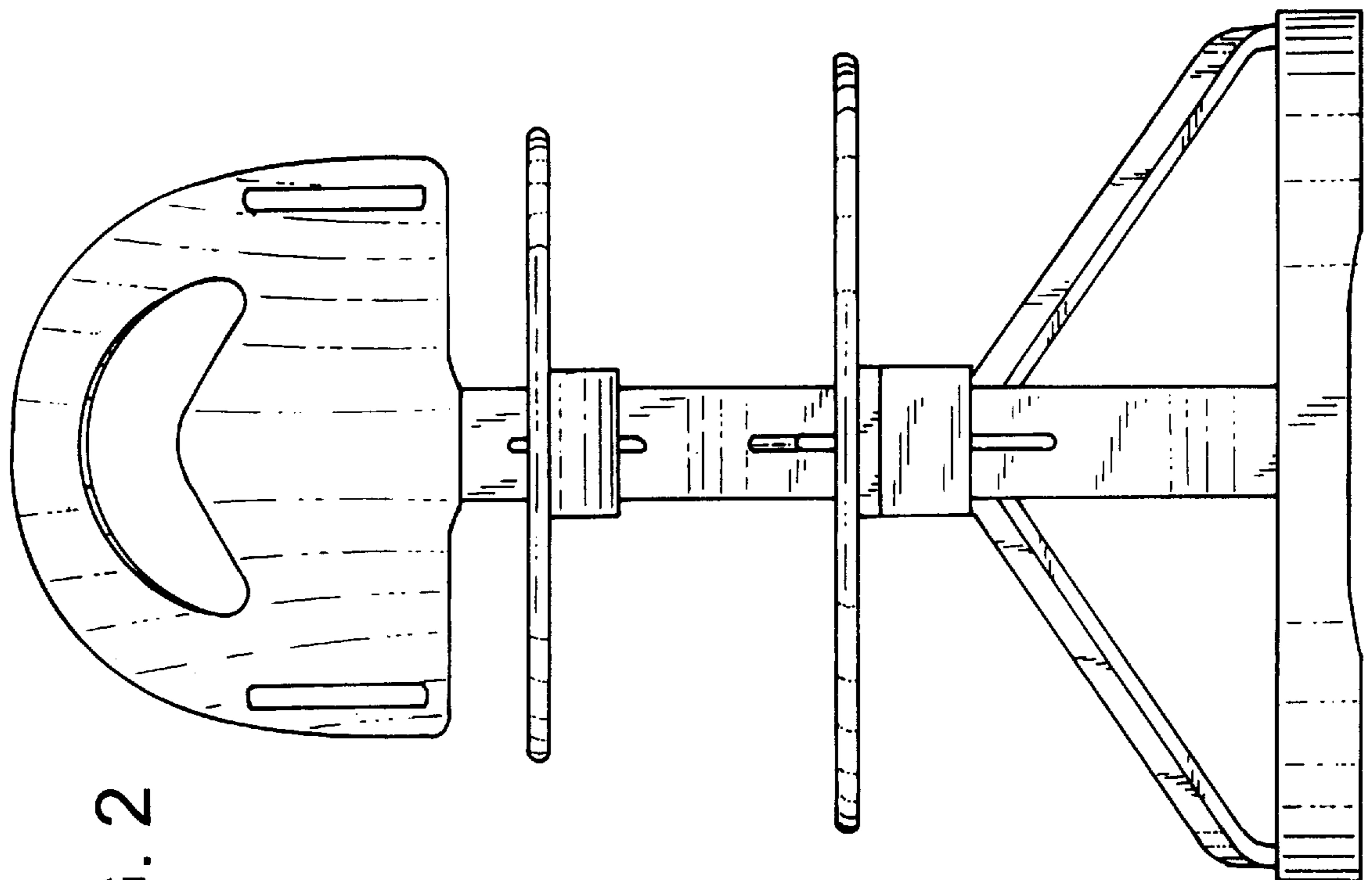


FIG. 2

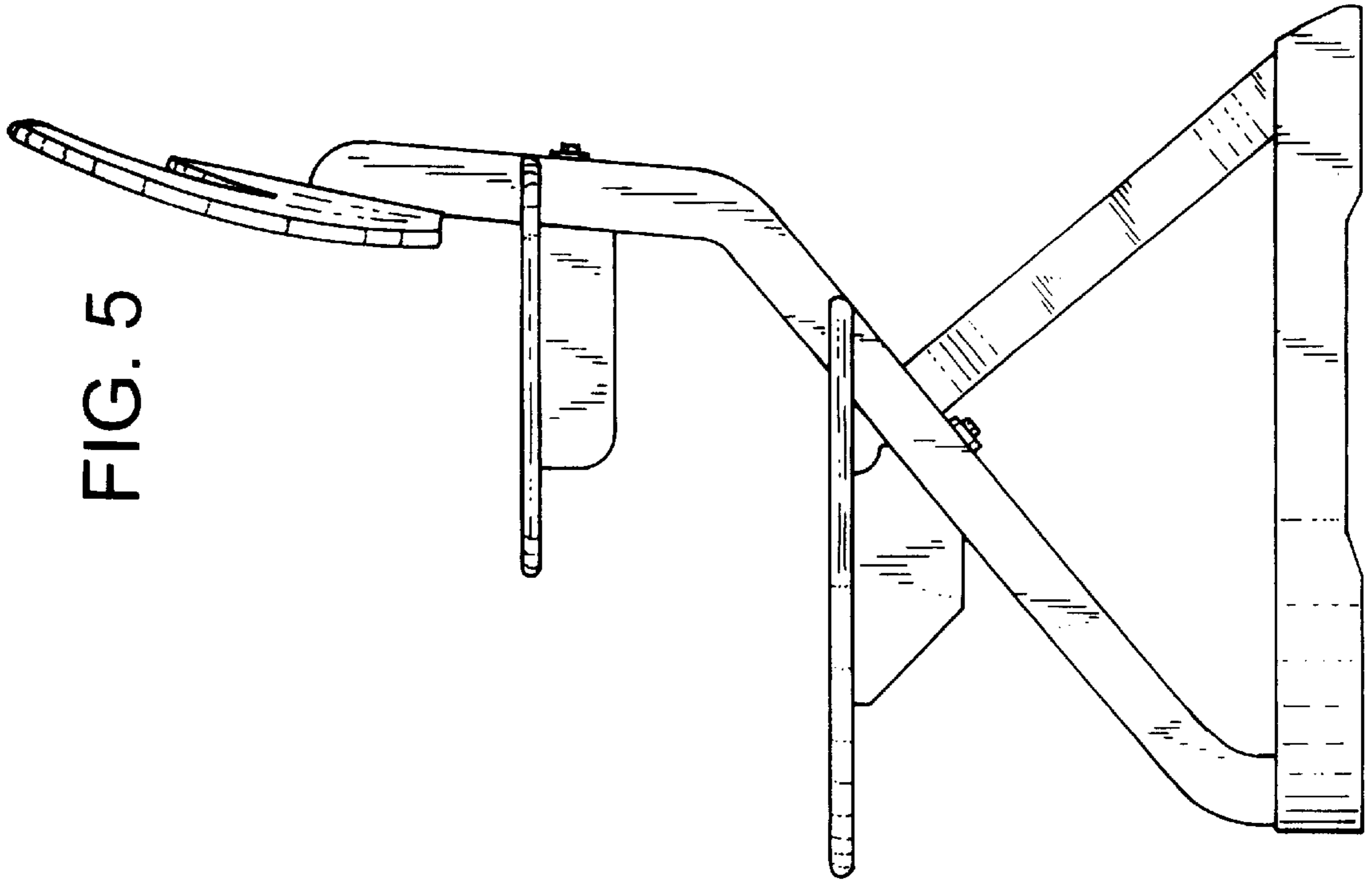


FIG. 5

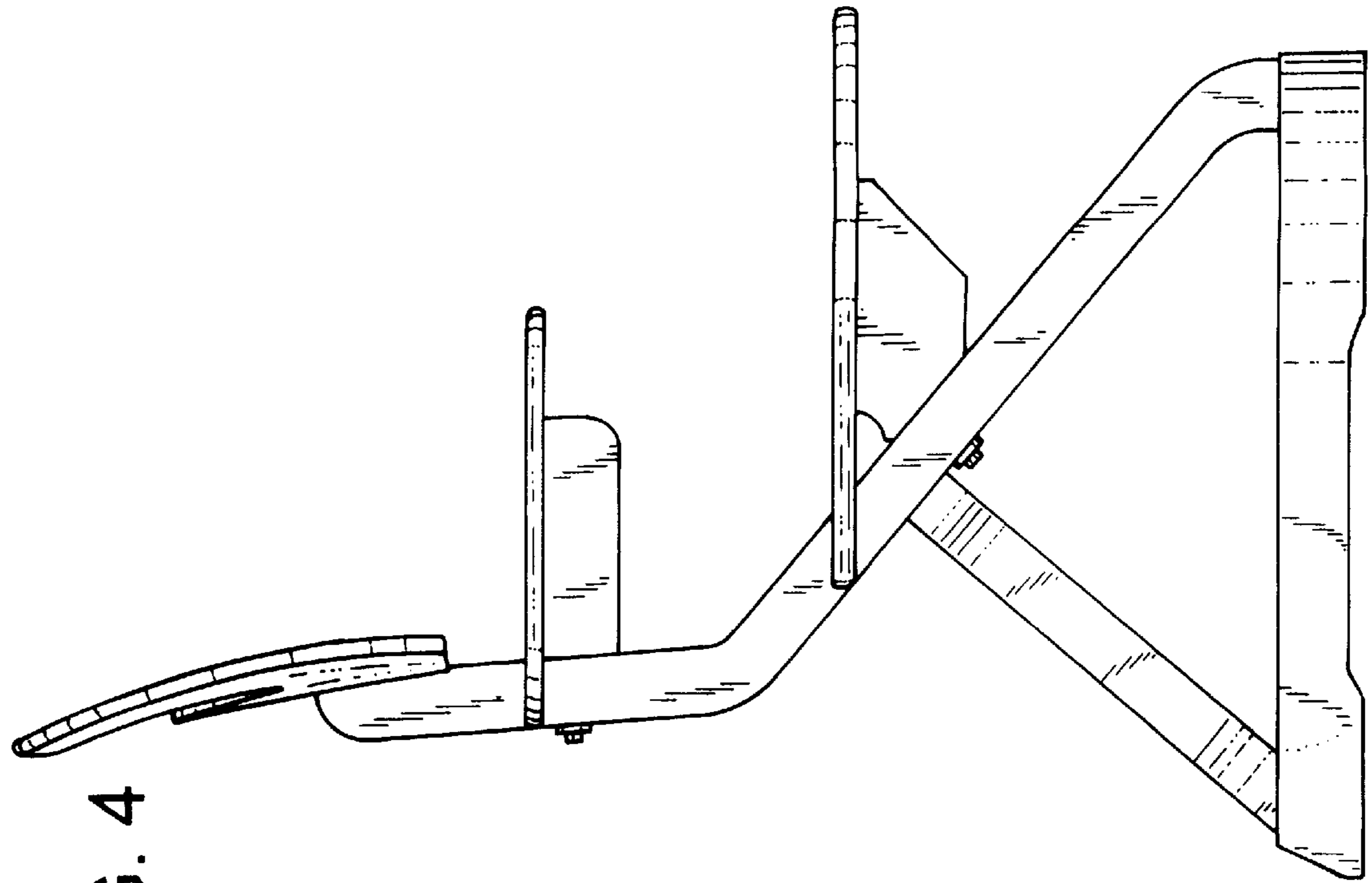


FIG. 4

FIG. 7

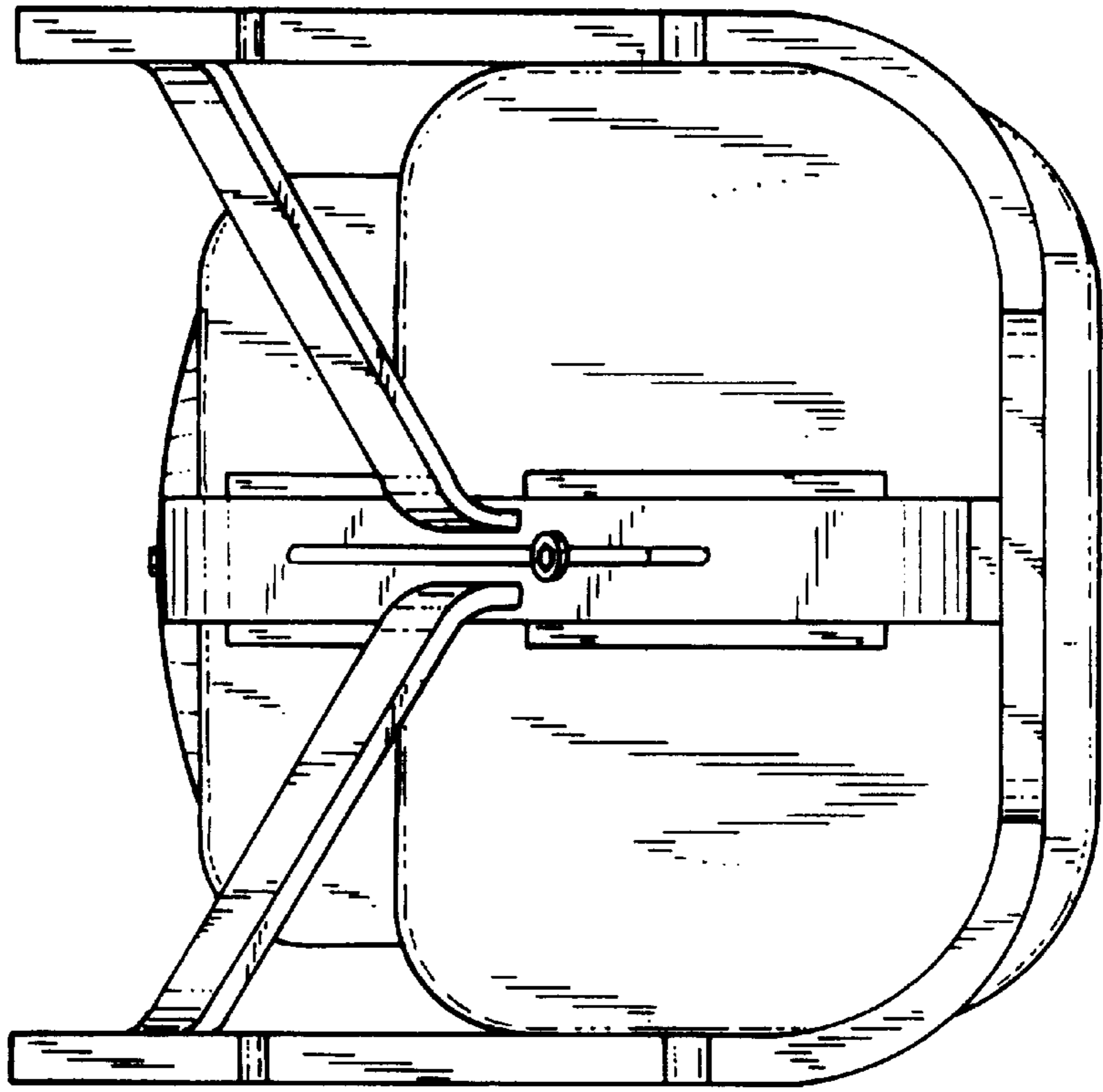


FIG. 6

