



US00D441208S

(12) **United States Design Patent**
Watson

(10) **Patent No.:** **US D441,208 S**

(45) **Date of Patent:** **** May 1, 2001**

(54) **CHAIR HAVING THE APPEARANCE OF A GREAT HAMMERHEAD SHARK**

D. 374,994 * 10/1996 Loader D6/359
D. 380,618 7/1997 Collins D6/345
D. 380,621 7/1997 Denten D6/359

(76) Inventor: **Robert Watson**, 2445 SW. 18th Ter.,
Apt. 205, Ft. Lauderdale, FL (US)
33315

* cited by examiner

(**) Term: **14 Years**

Primary Examiner—Doris V. Coles
Assistant Examiner—Mimosa De
(74) *Attorney, Agent, or Firm*—Tom Hamill, Jr.

(21) Appl. No.: **29/121,286**

(57) **CLAIM**

(22) Filed: **Apr. 4, 2000**

The ornamental design for the chair having the appearance of a Great Hammerhead shark, as shown and described.

(51) **LOC (7) Cl.** **06-01**

DESCRIPTION

(52) **U.S. Cl.** **D6/359**

(58) **Field of Search** D6/334, 335, 344,
D6/345, 348, 351, 358, 359, 360–361, 500–502,
375, 379; D12/129; D21/414, 415, 428,
521; 297/181

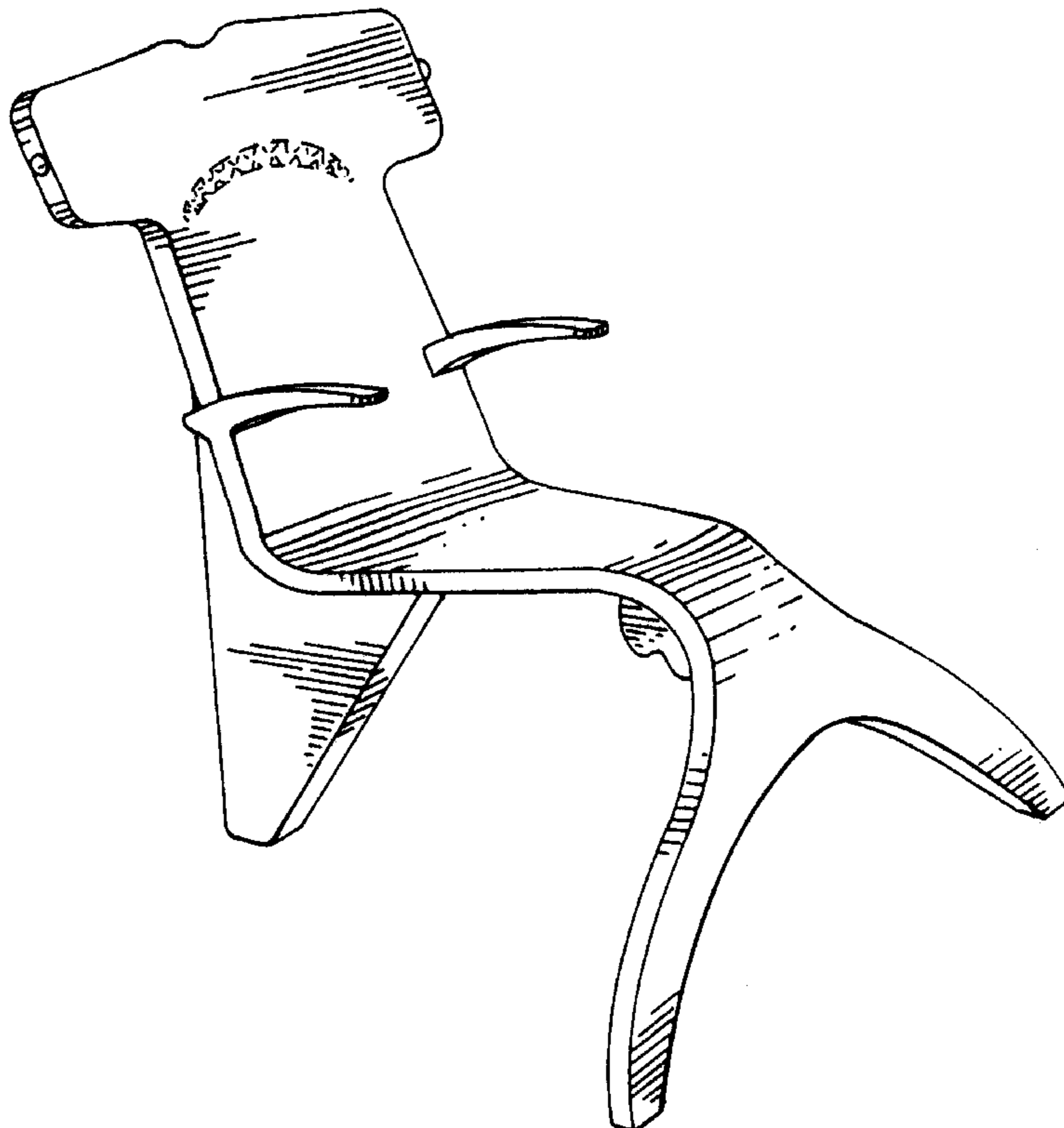
FIG. 1 is a perspective view of the chair having the appearance of a Great Hammerhead shark of the invention; FIG. 2 is a front view of the chair having the appearance of a Great Hammerhead shark; FIG. 3 is a rear view of the chair having the appearance of a Great Hammerhead shark; FIG. 4 is a side view of the chair having the appearance of a Great Hammerhead shark, it being understood that the opposite side is a mirror image thereof; FIG. 5 is a top view of the chair having the appearance of a Great Hammerhead shark; and, FIG. 6 is a bottom view of the chair having the appearance of a Great Hammerhead shark. The broken line showing of the mouth and teeth in FIG. 1 is for illustrative purposes only and forms no part of the claimed design.

(56) **References Cited**

U.S. PATENT DOCUMENTS

D. 57,067 * 2/1921 Wood D21/428
D. 71,940 2/1927 Hansen .
D. 154,517 * 7/1949 Strack D6/345
D. 169,466 12/1953 White .
D. 210,824 4/1968 Blix .
D. 227,427 6/1973 Hutchinson et al. .
D. 264,955 * 6/1982 Johnson D12/129
D. 266,290 9/1982 Orenstein .
D. 279,333 * 6/1985 Brown et al. D6/335
D. 319,354 8/1991 Wolcott D6/370
D. 372,803 8/1996 Tucker D6/359

1 Claim, 5 Drawing Sheets



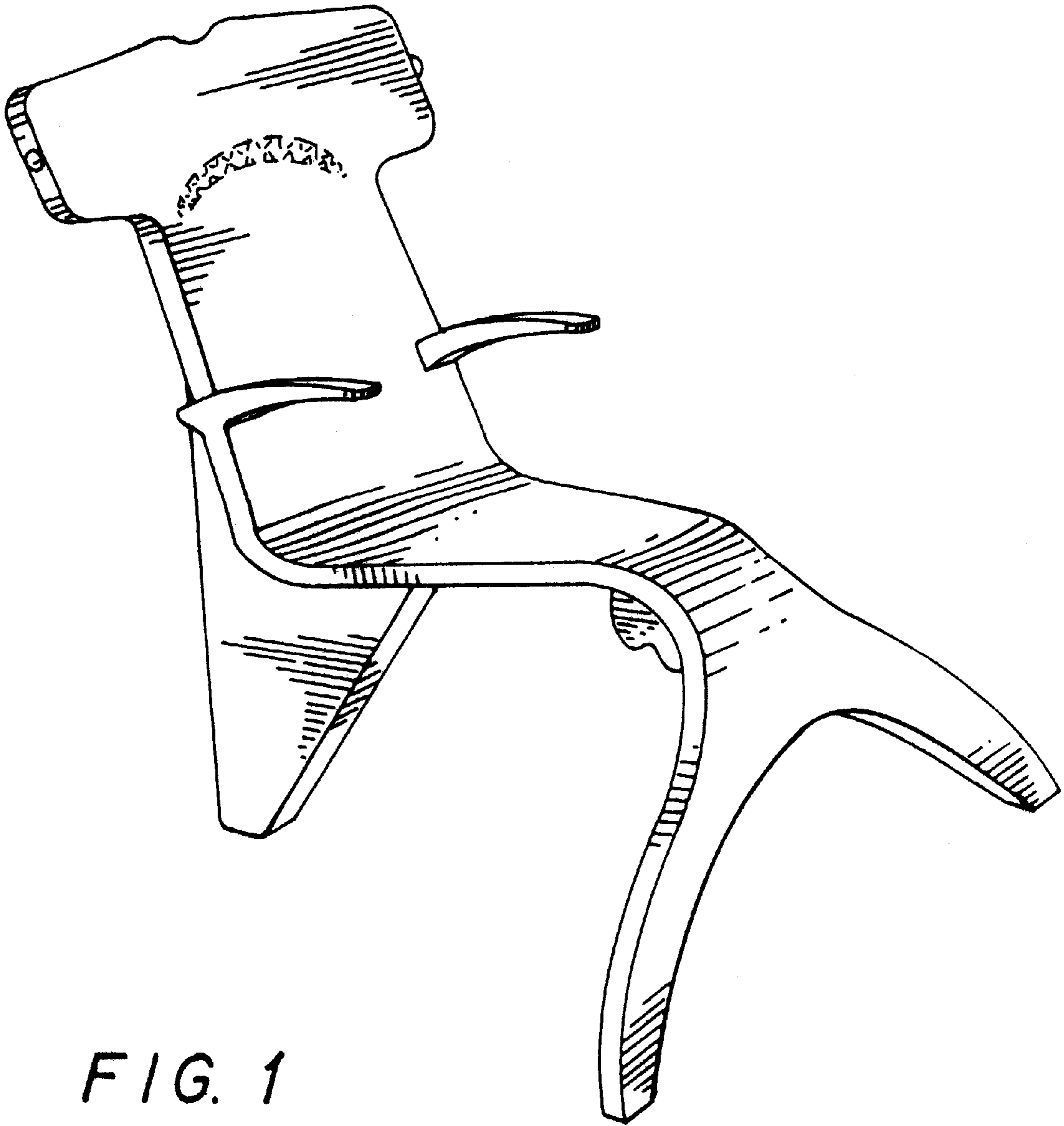


FIG. 1

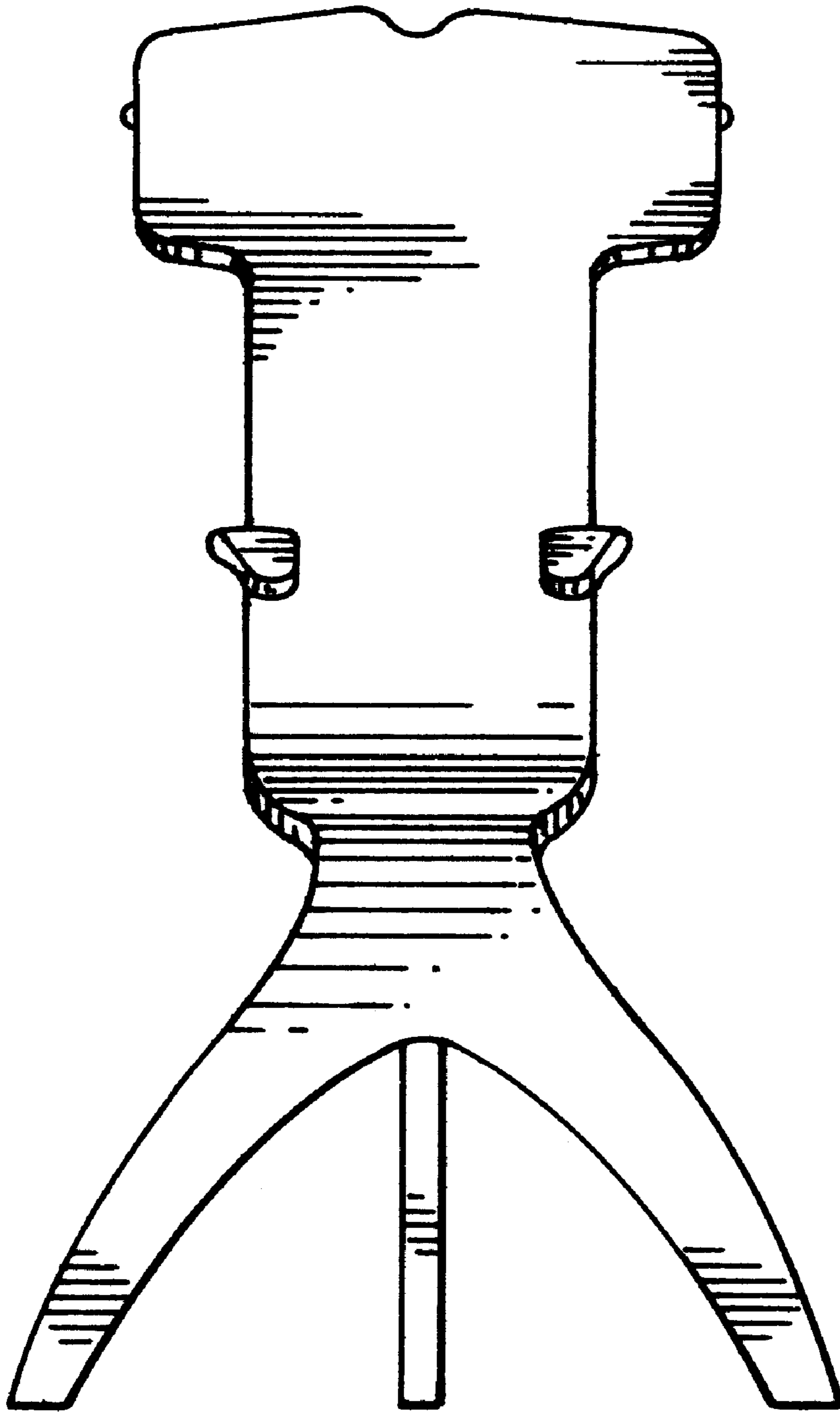


FIG. 2

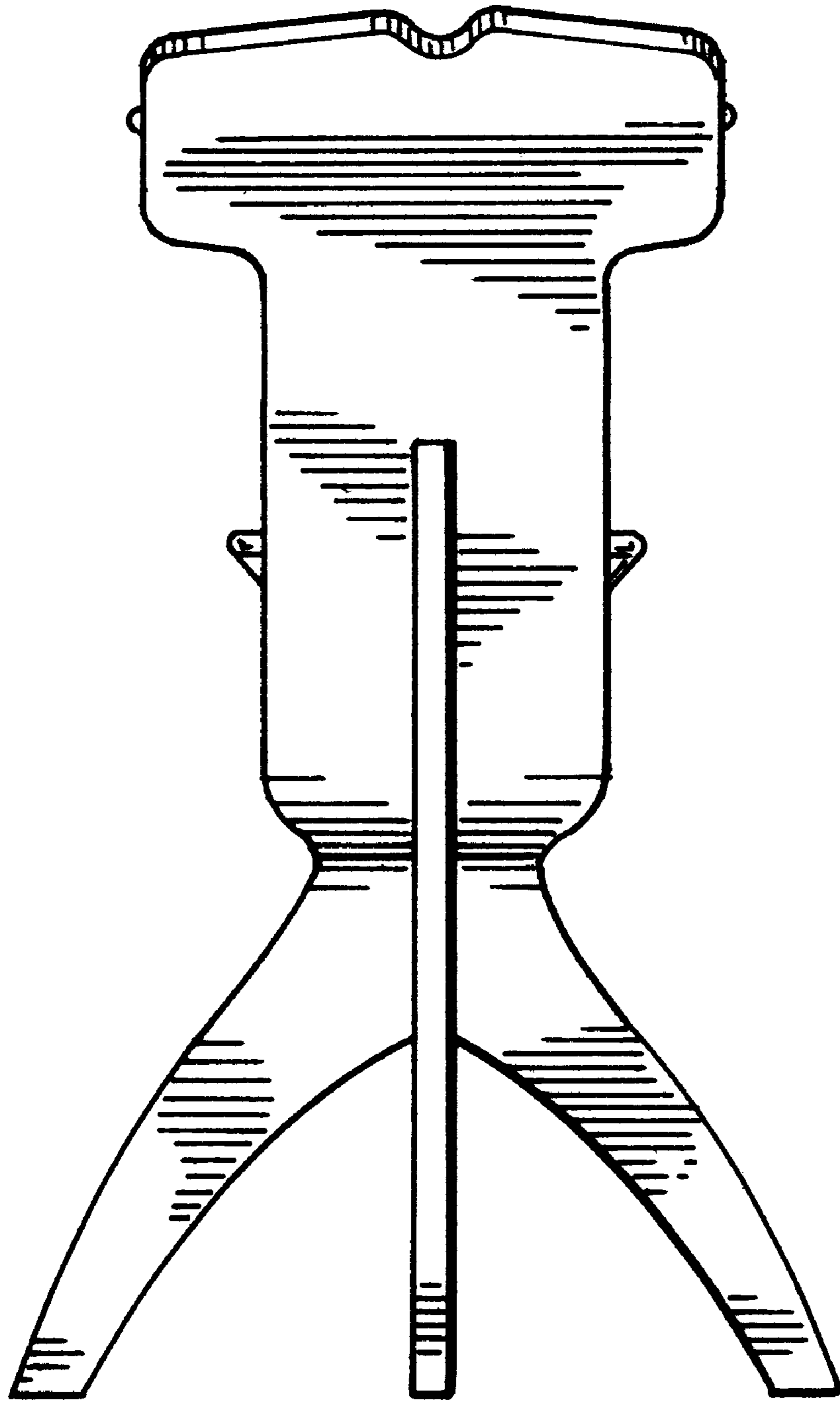


FIG. 3

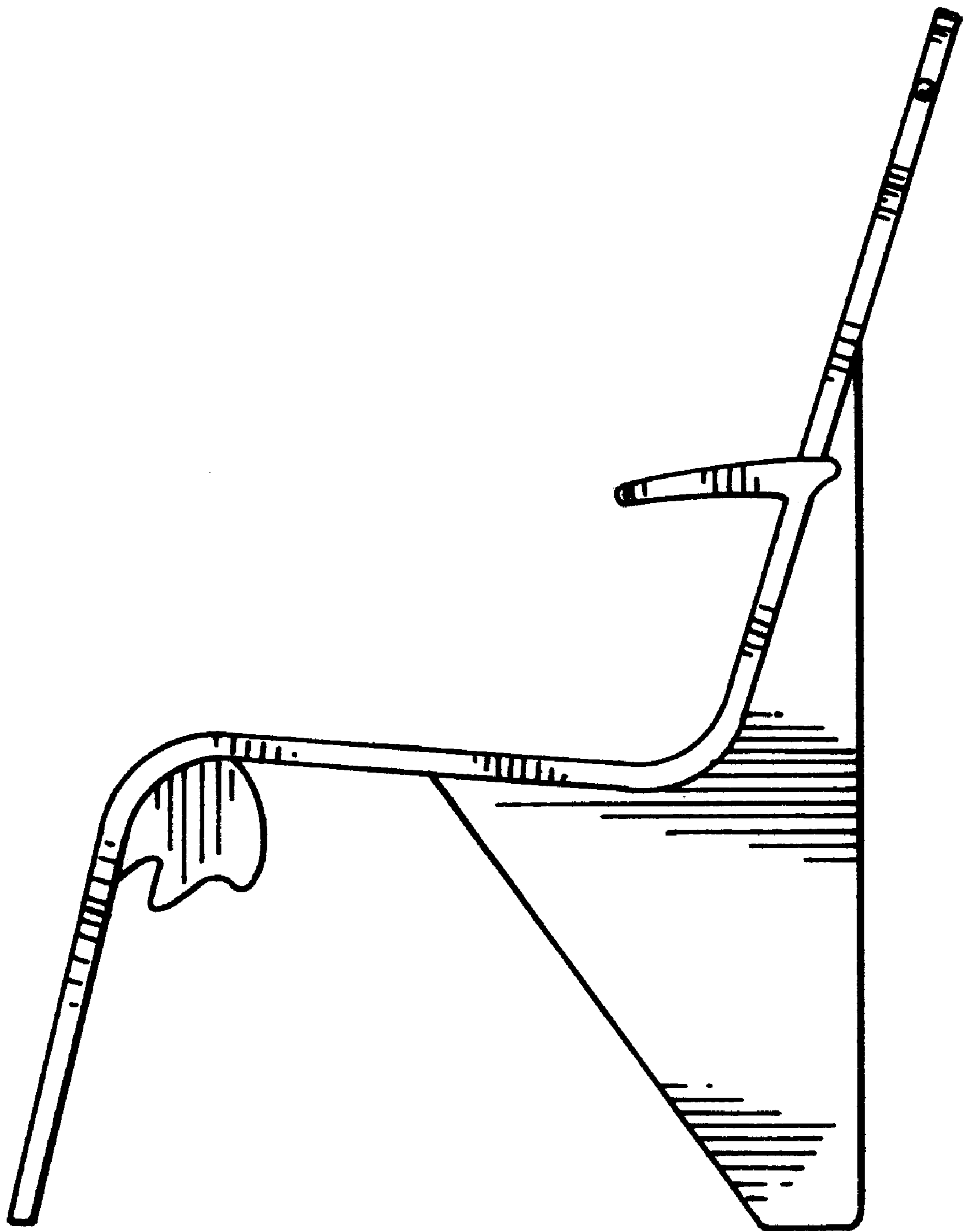


FIG. 4

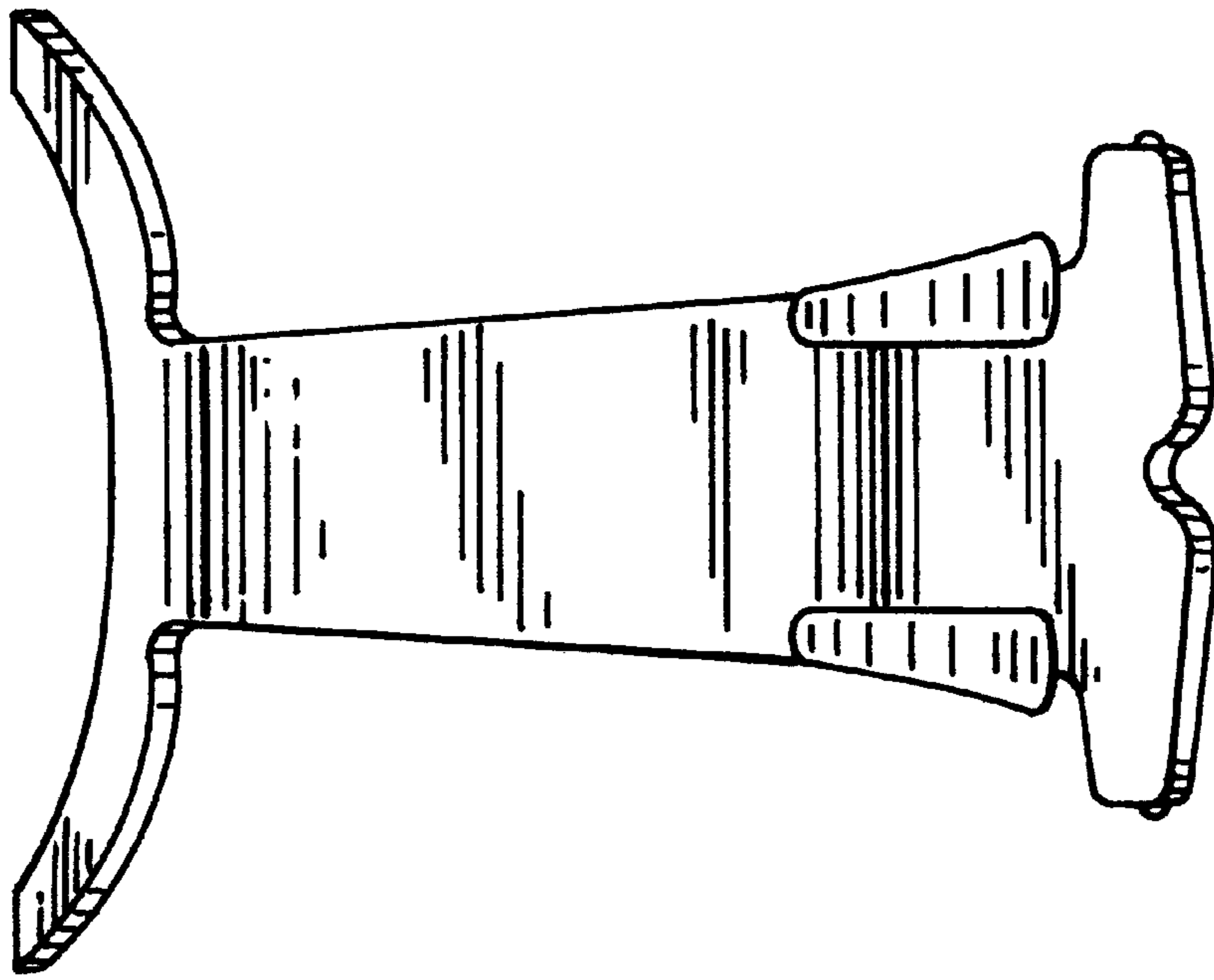


FIG. 5

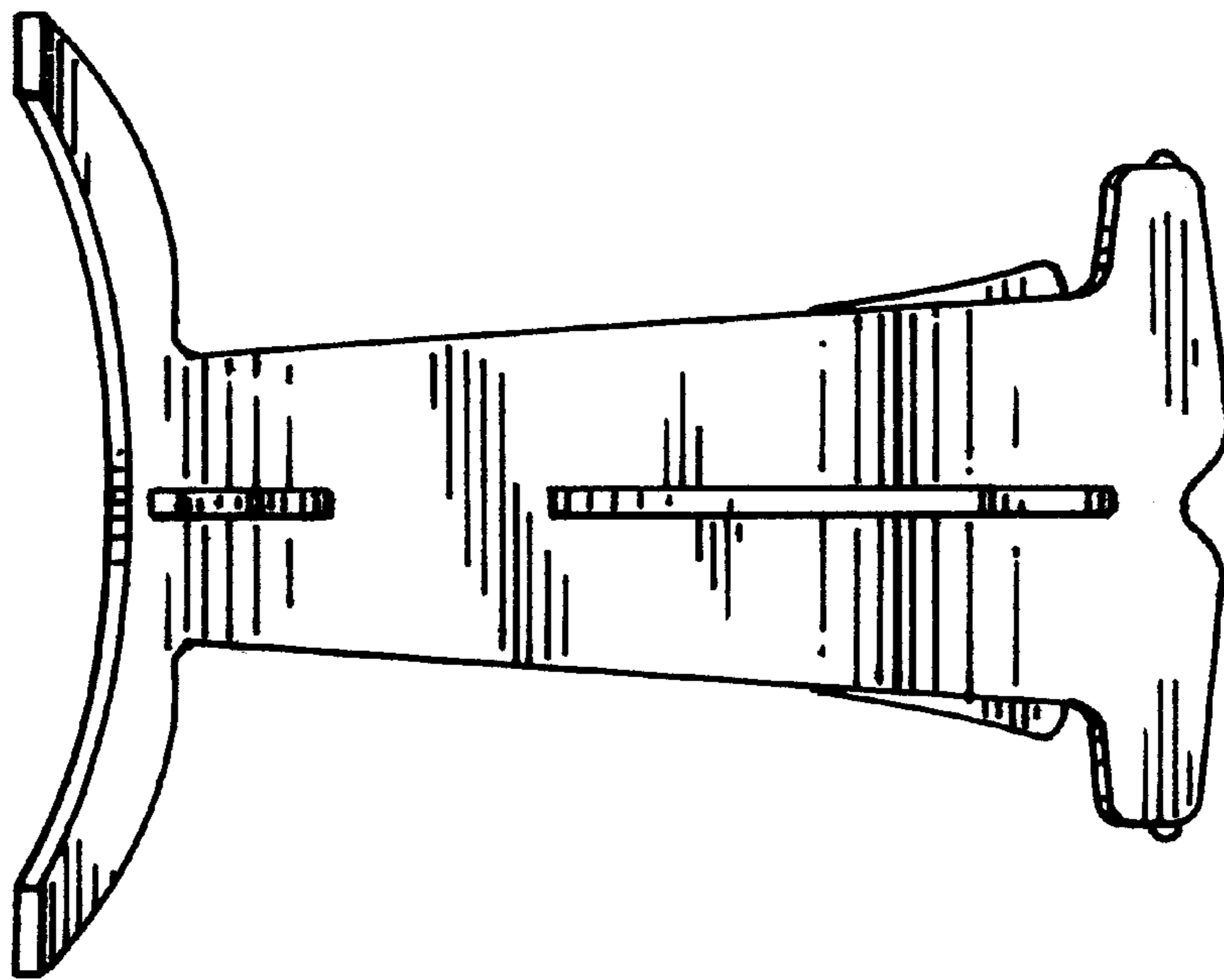


FIG. 6