



US00D441202S

(12) **United States Design Patent** (10) **Patent No.:** **US D441,202 S**
Richter (45) **Date of Patent:** **** *May 1, 2001**

(54) **CLOTHES HANGER**

(76) Inventor: **Herbert Richter**, Drosselweg 8, 75331 Engelbrand (DE)

(*) Notice: This patent is subject to a terminal disclaimer.

(**) Term: **14 Years**

(21) Appl. No.: **29/131,823**

(22) Filed: **Oct. 26, 2000**

(51) **LOC (7) Cl.** **06-08**

(52) **U.S. Cl.** **D6/318; D6/320**

(58) **Field of Search** D6/317-319, 320, D6/325; 211/113, 119; 223/85, 88, 91, 92, 94; 224/275, 313, 555, 558, 572, DIG. 927; D8/394

(56) **References Cited**

U.S. PATENT DOCUMENTS

- D. 191,944 * 12/1961 Reynolds .
- D. 218,494 * 8/1970 Leichter .
- D. 422,152 * 4/2000 Yeh .
- D. 423,233 * 4/2000 Hofstee D6/318
- 4,957,230 * 9/1990 Gonzales 224/275
- 5,058,790 * 10/1991 Lavelle 224/313
- 5,383,588 * 1/1995 Kazel 224/275

* cited by examiner

Primary Examiner—B. J. Bullock
(74) *Attorney, Agent, or Firm*—Klaus J. Bach

(57) **CLAIM**

The ornamental design for a clothes hanger, as shown and described.

DESCRIPTION

The hanger is intended to be mounted on the headrest support columns of a car seat.

FIG. 1 is a perspective view of a clothes hanger consisting of a rod with a hanger structure and a mounting device for mounting the hanger on a rod such as a head rest support rod of an automobile. The rod is bent backward so as to provide some space between the head rest and the hanger structure to accommodate for example a coat.

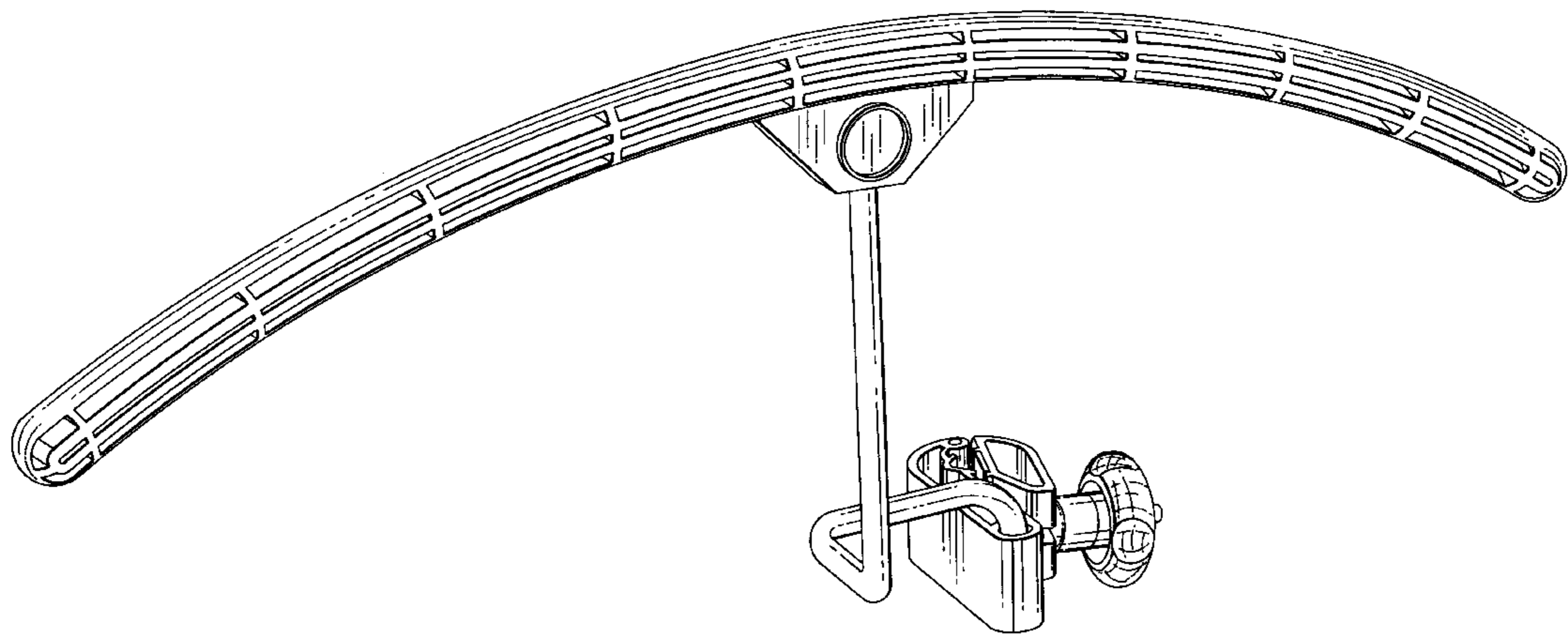
FIG. 2 is a perspective view of the clothes hanger showing the opposite side of the hanger,

FIG. 3 is a perspective view of the clothes hanger showing the hanger from the bottom rear of FIG. 1,

FIG. 4 is an elevational view of the clothes hanger showing a slightly different embodiment from FIG. 1, the only difference being the rod structure which is bent rearwardly; and,

FIG. 5 is a side view of the clothes hanger shown in FIG. 4 showing more clearly the rearwardly bent support rod providing sufficient space between a head rest and the hanger for hanging a coat.

1 Claim, 5 Drawing Sheets



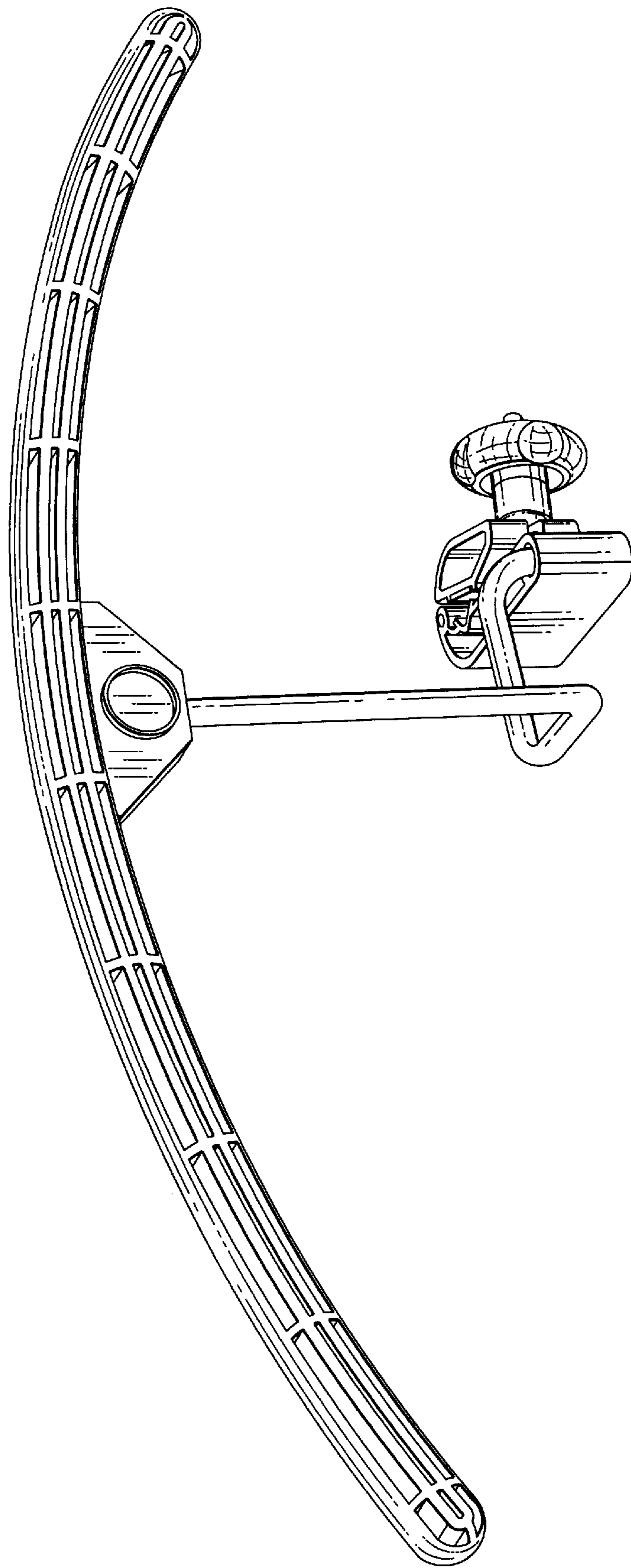
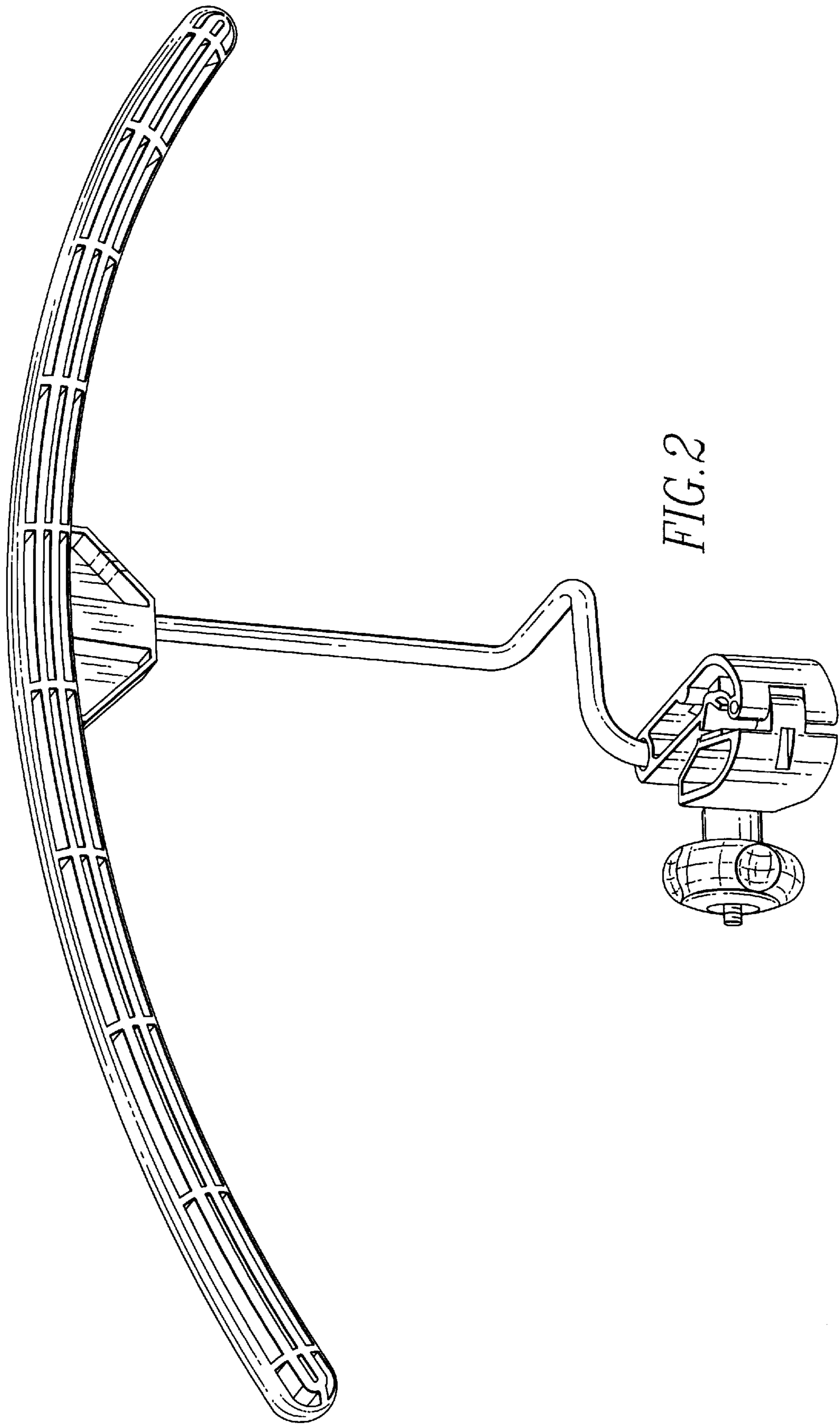


FIG. 1



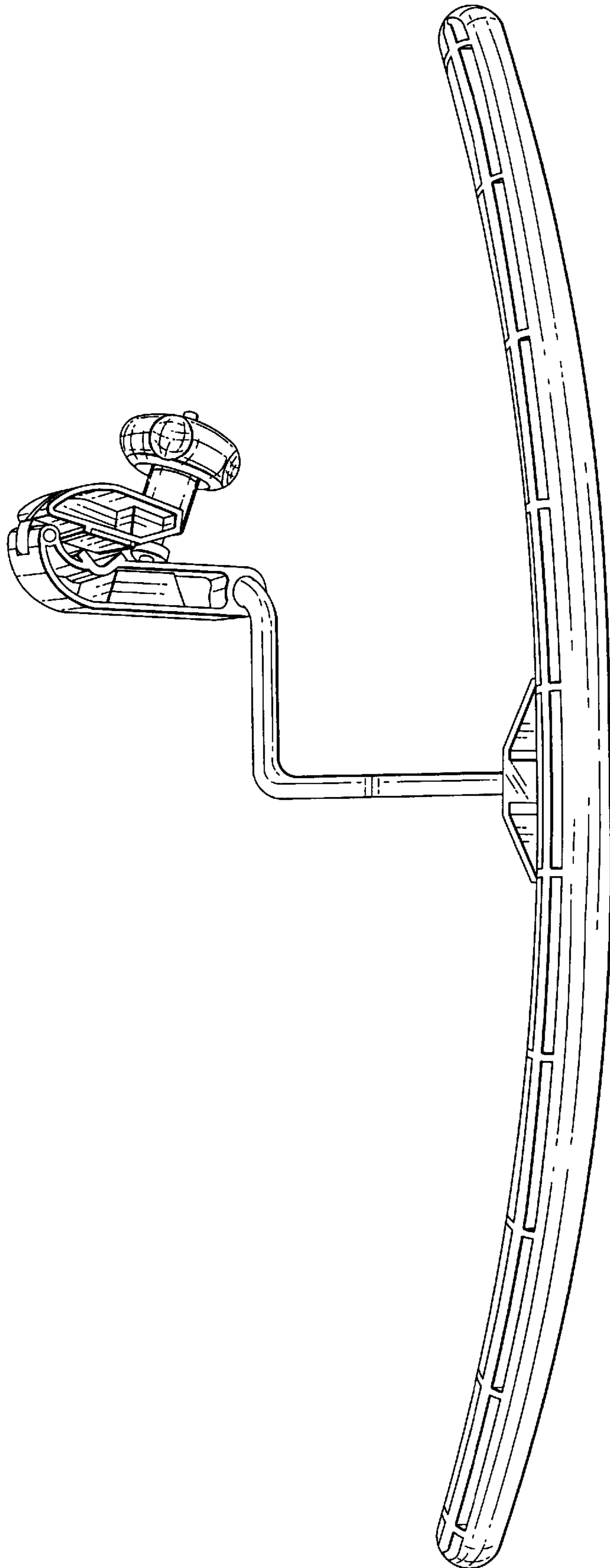


FIG. 3

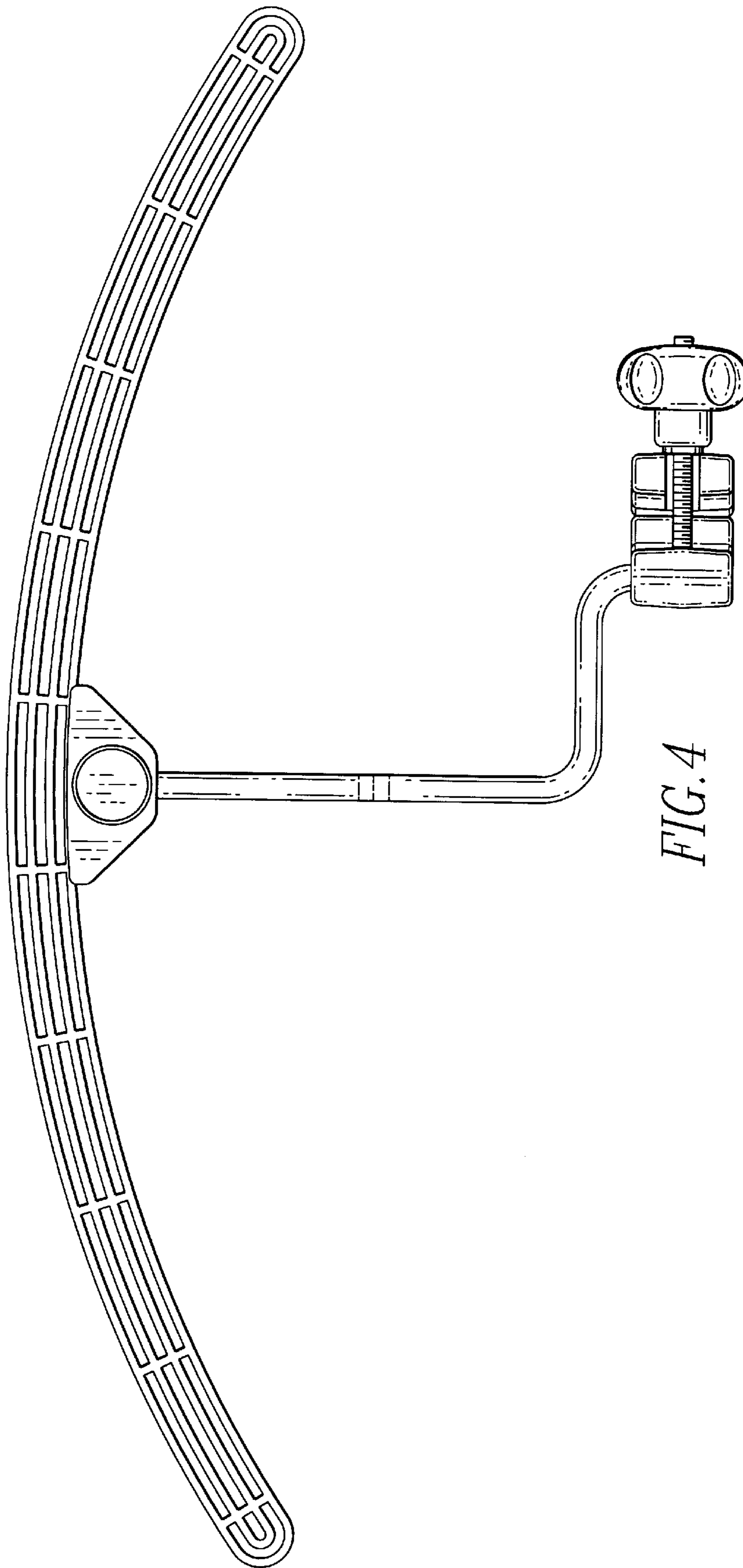


FIG. 4

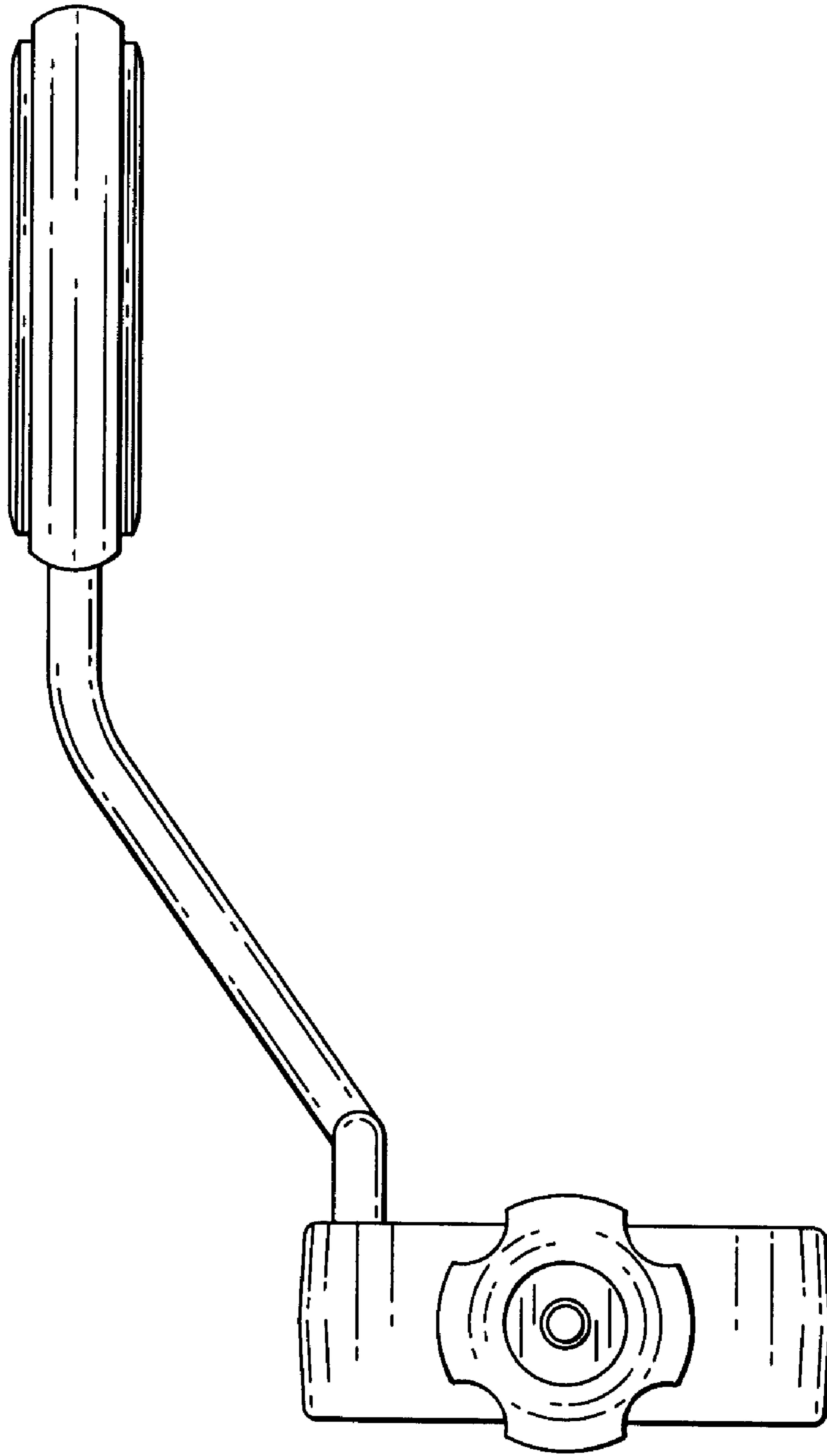


FIG. 5