



US00D441196S

(12) **United States Design Patent**
Collins

(10) **Patent No.:** **US D441,196 S**

(45) **Date of Patent:** **** May 1, 2001**

(54) **DENTAL CARE KIT**

(76) Inventor: **Andrew Peter Collins**, 7 Conway Drive, Heap Bridge, Bury, Lancashire (GB)

(**) Term: **14 Years**

(21) Appl. No.: **29/107,899**

(22) Filed: **Jul. 15, 1999**

(30) **Foreign Application Priority Data**

Jan. 15, 1999 (GB) 2080372

(51) **LOC (7) Cl.** **04-02**

(52) **U.S. Cl.** **D4/108; D4/121**

(58) **Field of Search** D4/104-112, 121, D4/132, 134, 138, 199; 15/167.1, 184; 132/286, 308, 309, 311, 321, 329; 401/150, 171-175, 270, 277-279, 281; D28/65

(56) **References Cited**

U.S. PATENT DOCUMENTS

- D. 308,265 * 5/1990 Shaw et al. D28/65
- D. 363,607 * 10/1995 Collins et al. D4/108
- 1,098,008 * 5/1914 Ash 132/308 X
- 2,775,250 * 12/1956 Oxenrider 132/308

- 2,980,119 * 4/1961 Redstock 132/308
- 4,957,125 * 9/1990 Yaneza 132/309
- 5,918,996 * 7/1999 Coolbaugh 401/175

* cited by examiner

Primary Examiner—Alan P. Douglas
Assistant Examiner—Lavone Tabor
(74) *Attorney, Agent, or Firm*—Woodard, Emhardt, Naughton, Moriarty & McNett

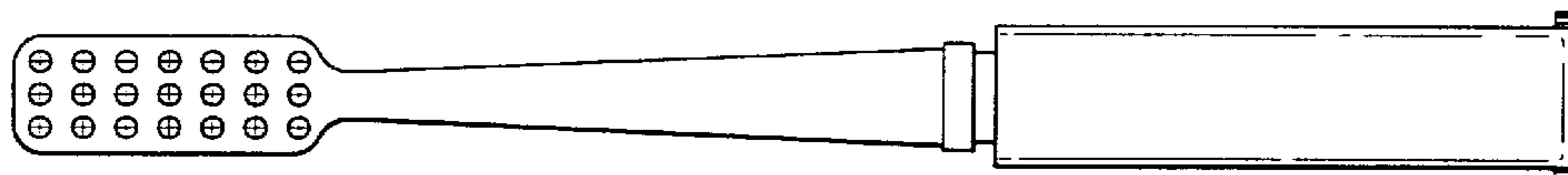
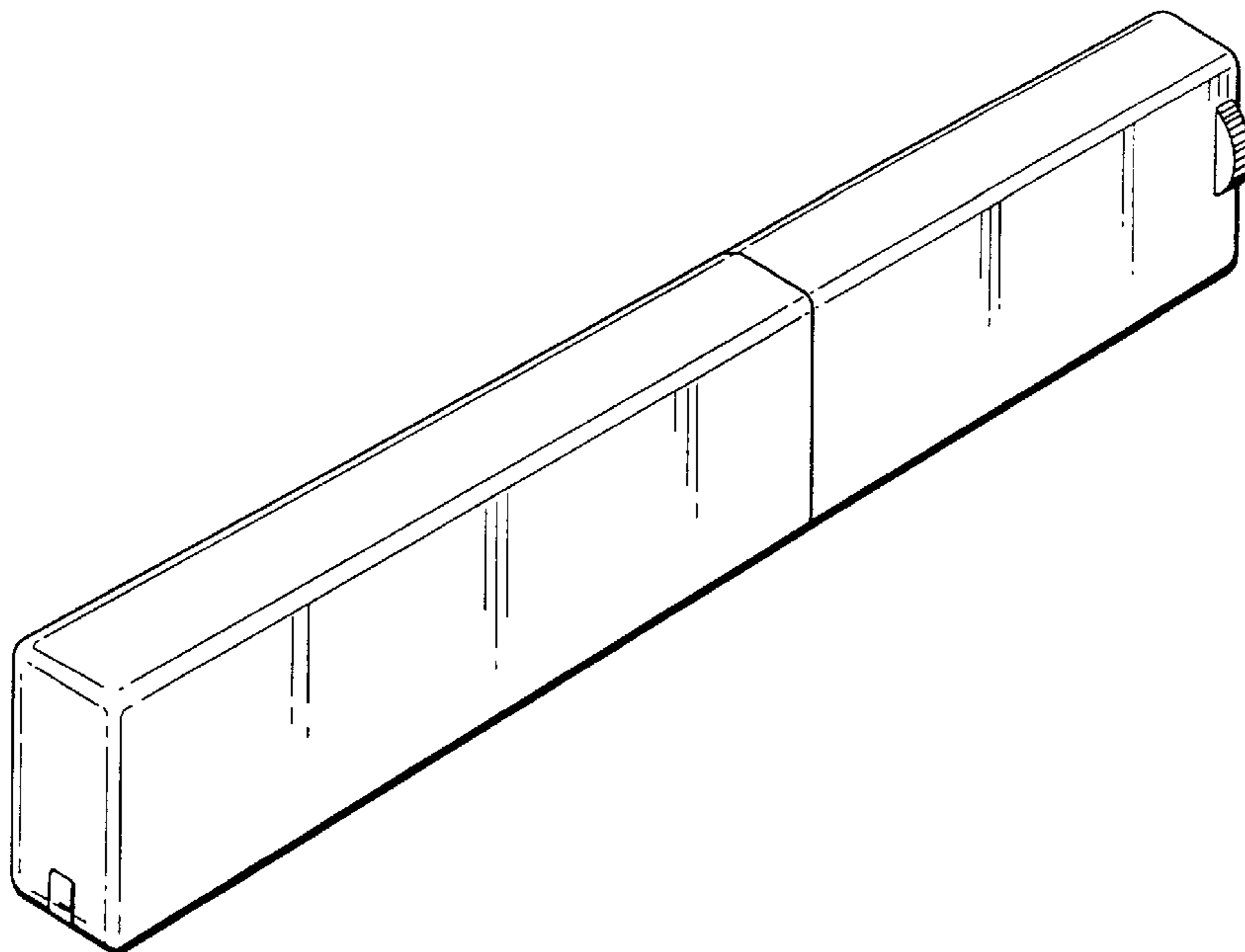
(57) **CLAIM**

The ornamental design for a dental care kit, as shown and described.

DESCRIPTION

FIG. 1 is a side perspective view of the dental care kit.
FIG. 2 is a top plan view of FIG. 1.
FIG. 3 is a view of the side shown in FIG. 1.
FIG. 4 is a side, top, and end perspective view of the toothpick portion of the dental care kit, which is shown separately for clarity of illustration only.
FIG. 5 is a bottom plan view of the dental care kit with the cover omitted for clarity of illustration to expose the toothbrush portion of the design; and,
FIG. 6 is a side view of FIG. 5.

1 Claim, 2 Drawing Sheets



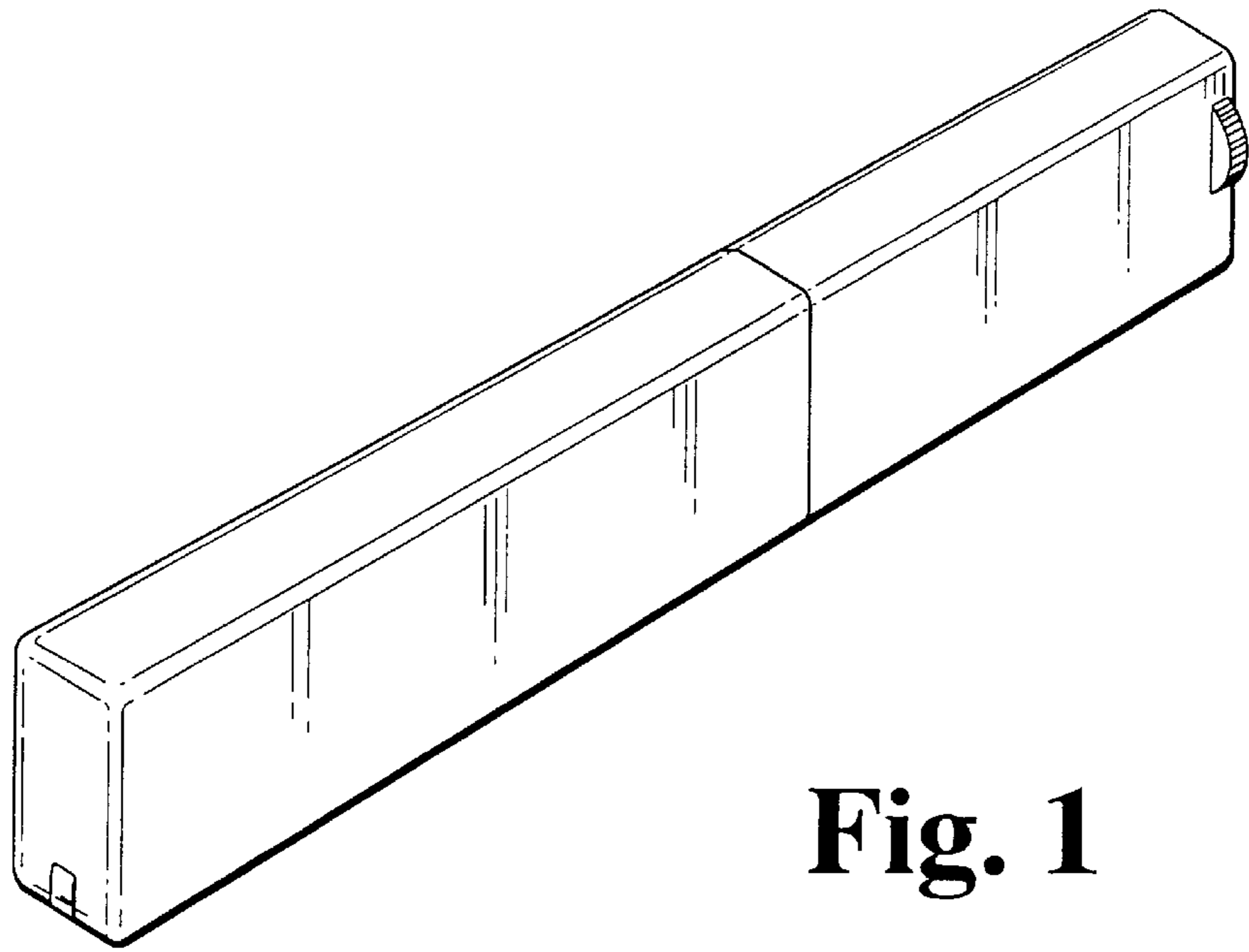


Fig. 1

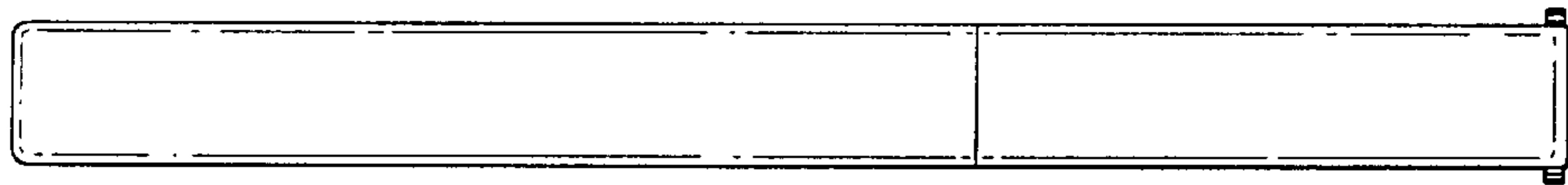


Fig. 2

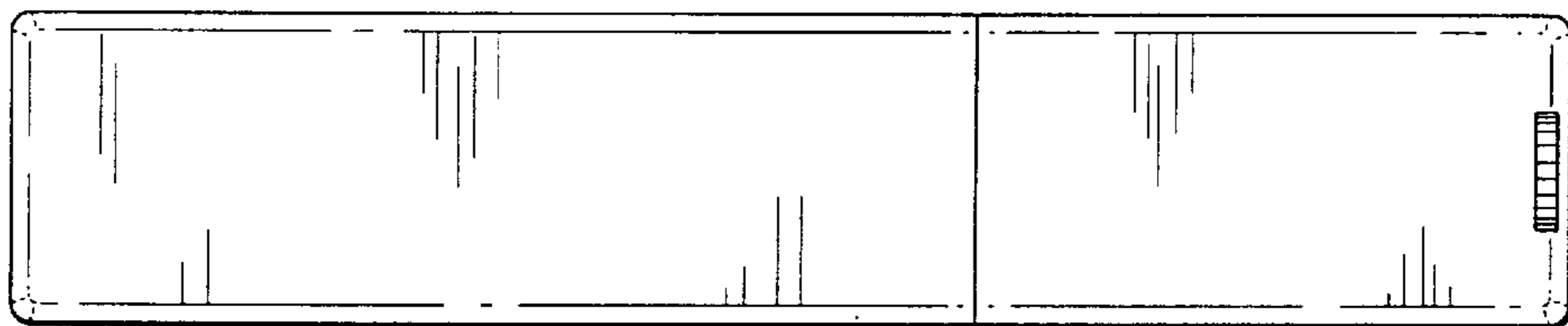


Fig. 3

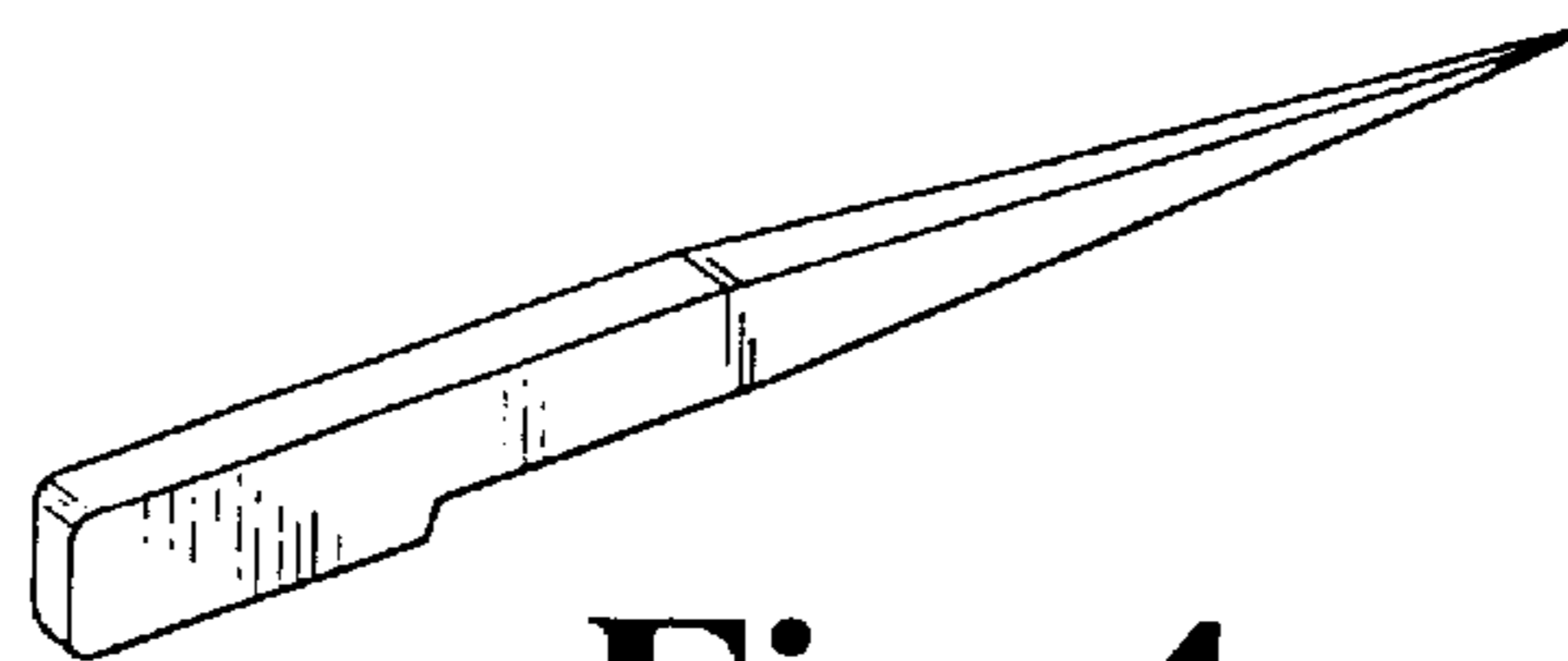


Fig. 4

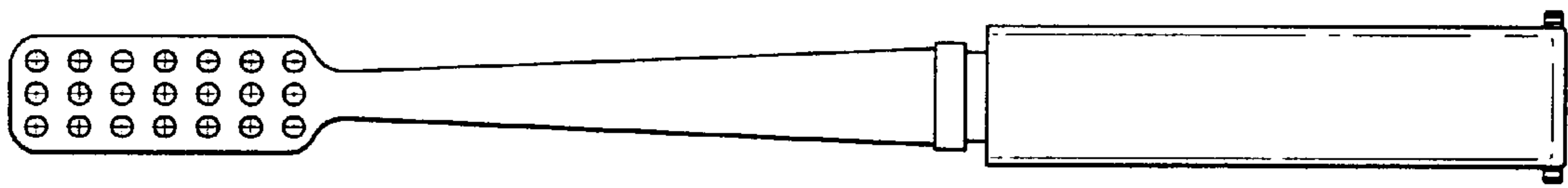


Fig. 5

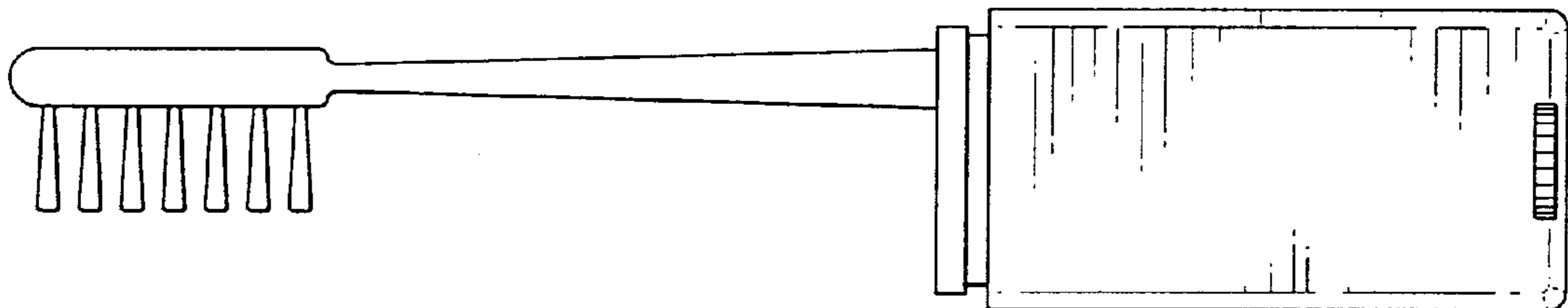


Fig. 6