



US00D441194S

(12) **United States Design Patent**
Jones

(10) **Patent No.:** **US D441,194 S**

(45) **Date of Patent:** **** May 1, 2001**

(54) **HEAD DIVIDER FOR A GOLF BAG**

(76) Inventor: **George Jones**, 17230 NE. Sacramento St., Portland, OR (US) 97230

(**) Term: **14 Years**

(21) Appl. No.: **29/123,175**

(22) Filed: **May 11, 2000**

(51) **LOC (7) Cl.** **03-99**

(52) **U.S. Cl.** **D3/320**

(58) **Field of Search** D3/320, 255, 254, D3/259; 206/315.2-315.8; 248/96; 211/70.2

(56) **References Cited**

U.S. PATENT DOCUMENTS

D. 422,789	*	4/2000	Sundara et al.	D3/320
4,667,820	*	5/1987	Solheim	206/315.6
4,691,823	*	9/1987	Pape	206/315.6
5,421,454	*	6/1995	Chern	206/315.6
6,047,822	*	4/2000	Batten	206/315.6
6,079,558	*	6/2000	Yoon	206/315.3

* cited by examiner

Primary Examiner—Louis S. Zarfaz

Assistant Examiner—Catherine R. Oliver

(74) *Attorney, Agent, or Firm*—Chernoff, Vilhauer, McClung & Stenzel, LLP

(57) **CLAIM**

The ornamental design for a head divider for a golf bag, as shown and described.

DESCRIPTION

FIG. 1 is perspective view of a head divider for a golf bag inserted into the golf bag which is shown in phantom outline;

FIG. 2 is a perspective view of the head divider for a golf bag shown without the golf bag;

FIG. 3 is a reverse perspective view thereof;

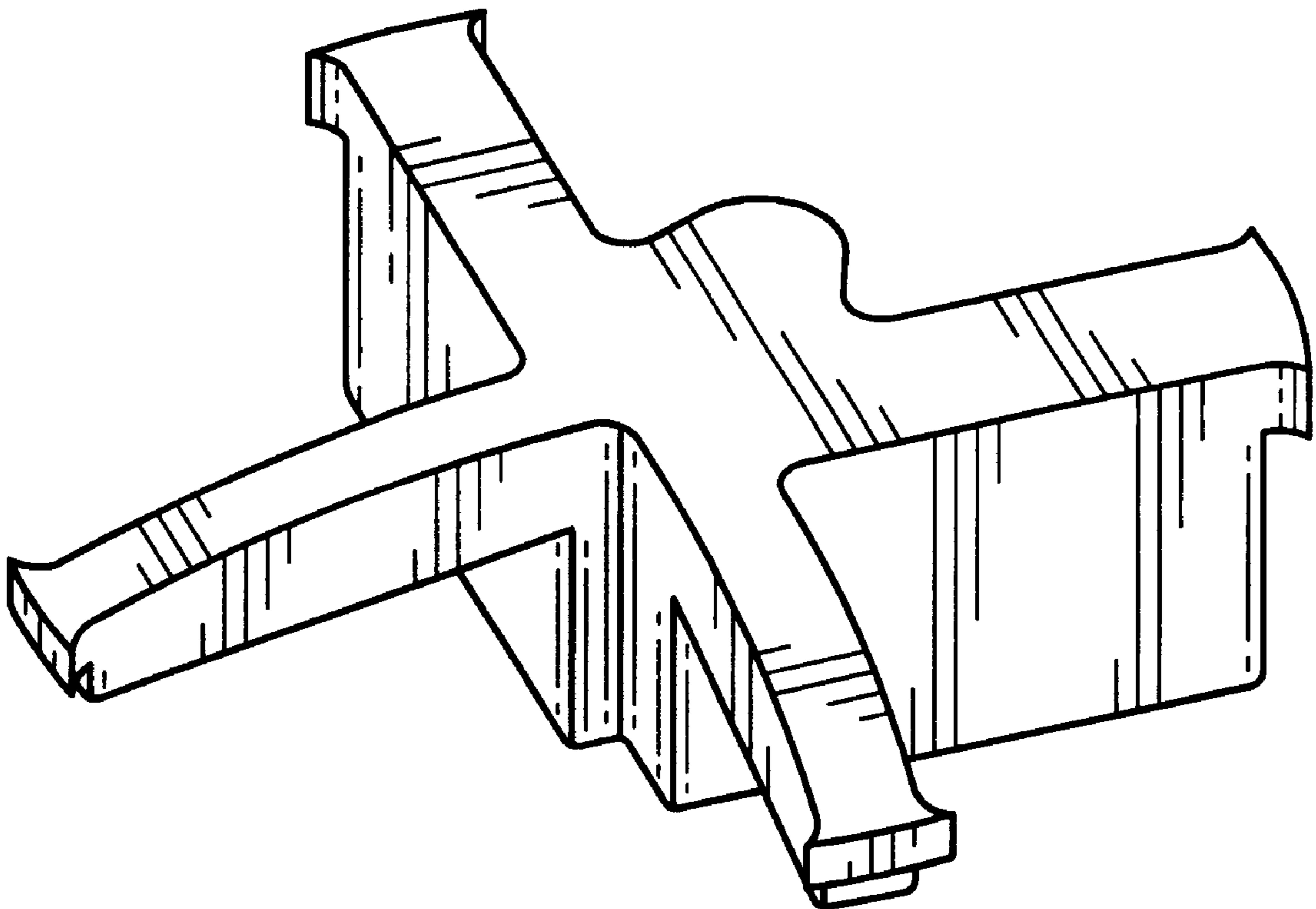
FIG. 4 is a top view thereof with optional cut-out portions for the insertion of accessory items shown in phantom outline;

FIG. 5 is a top view thereof; and,

FIG. 6 is a bottom view thereof.

The broken line showing of environment in FIGS. 1 and 4 is for illustrative purposes only and forms no part of the claimed design.

1 Claim, 2 Drawing Sheets



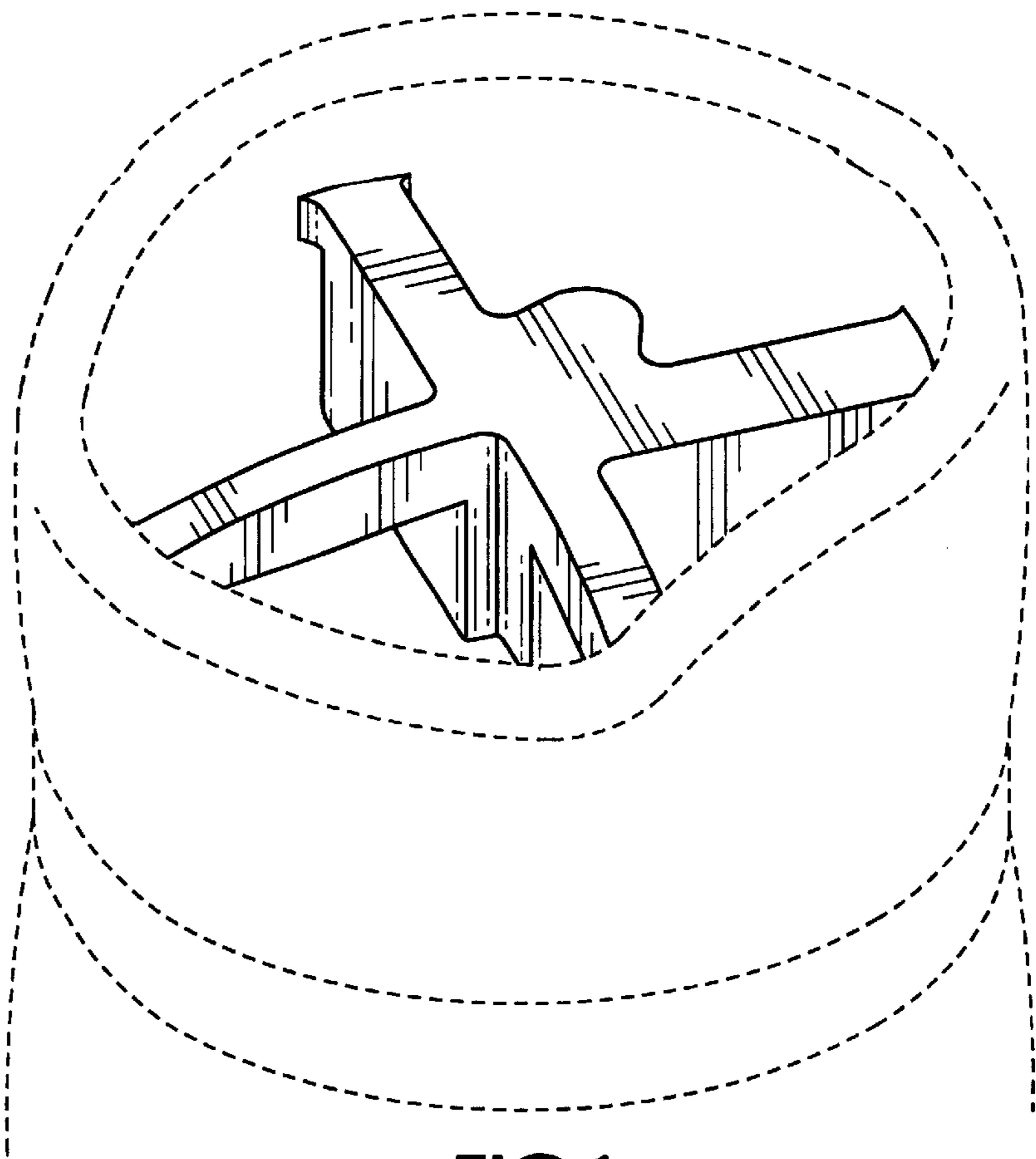


FIG. 1

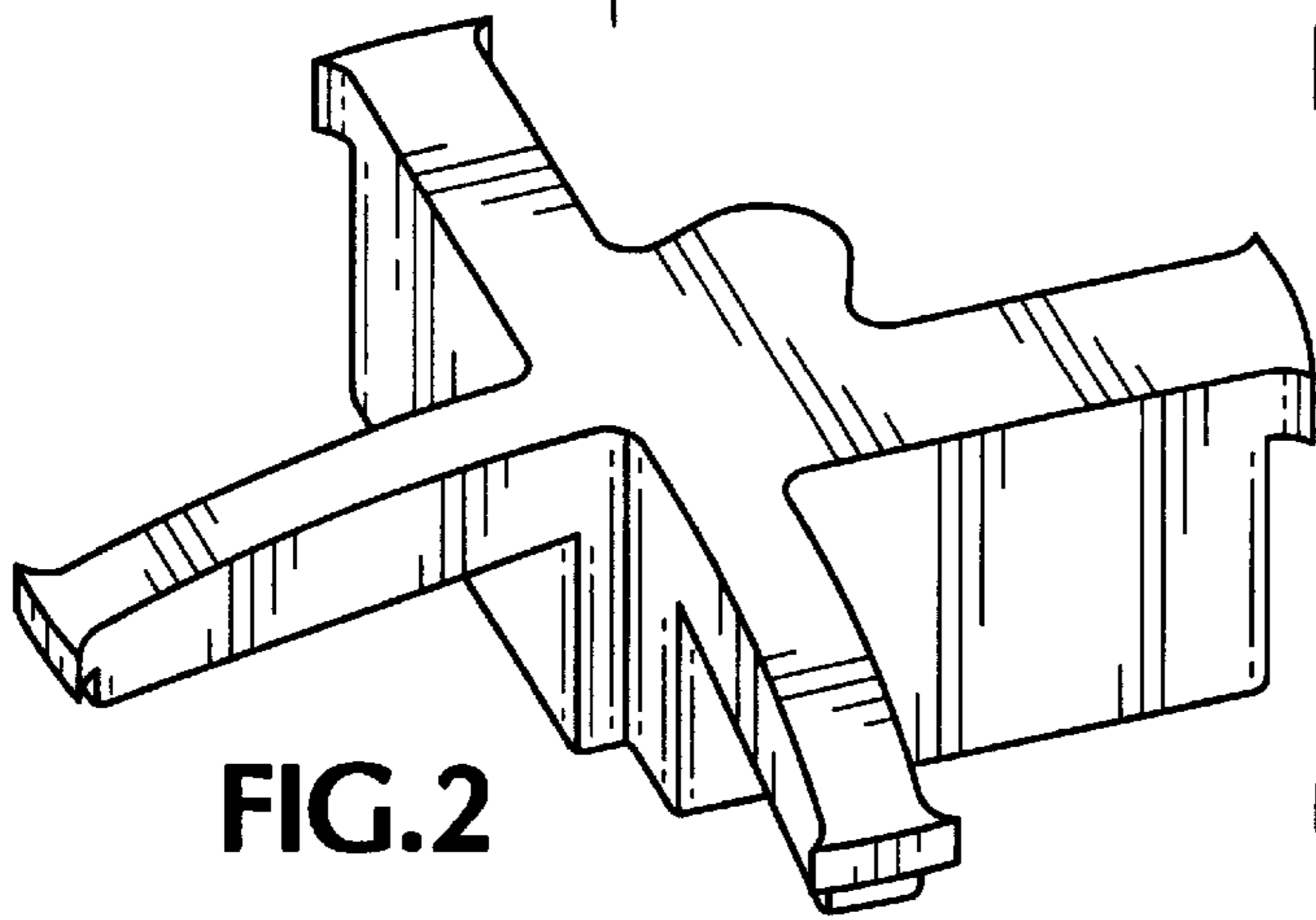


FIG. 2

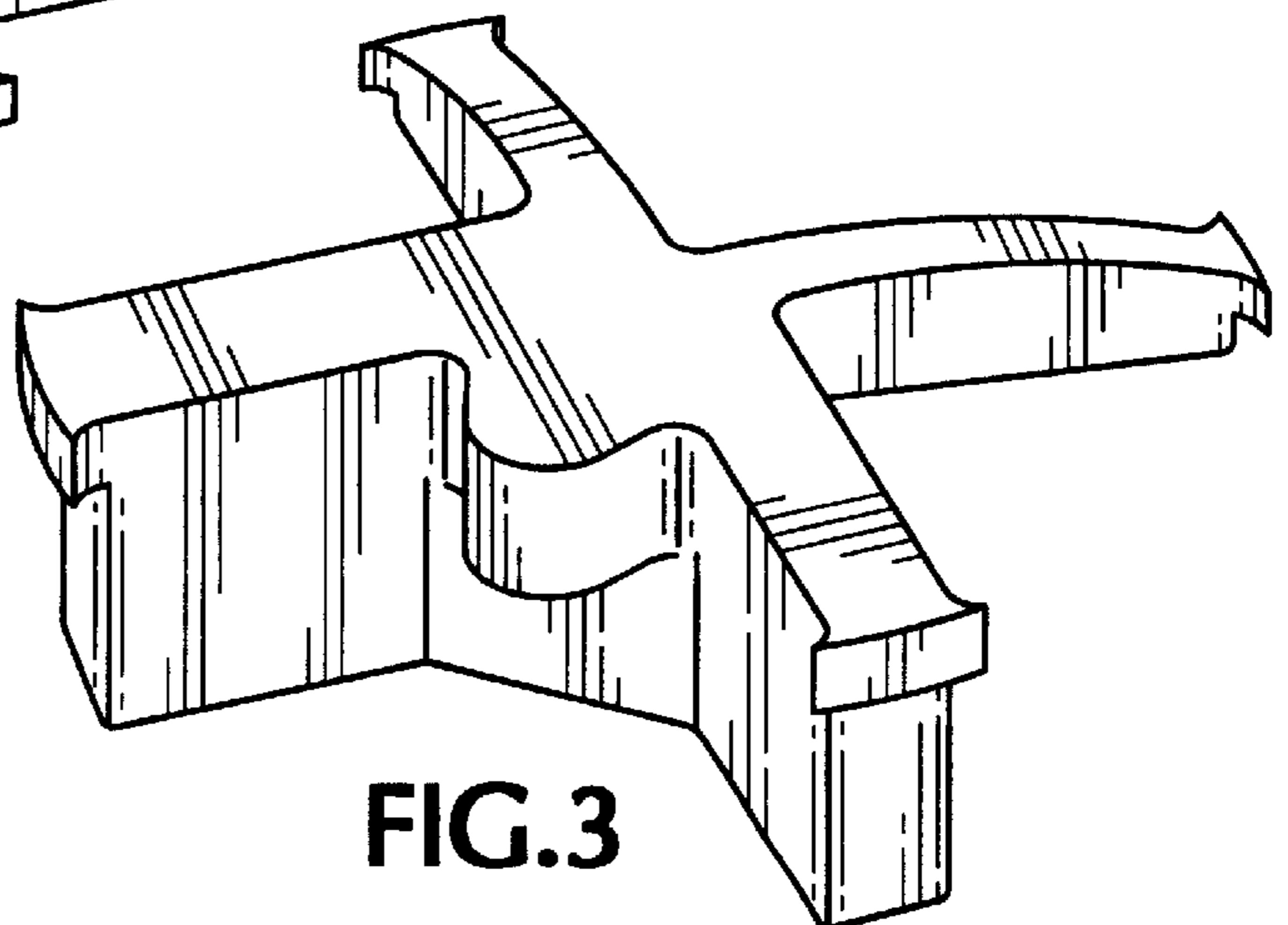


FIG. 3

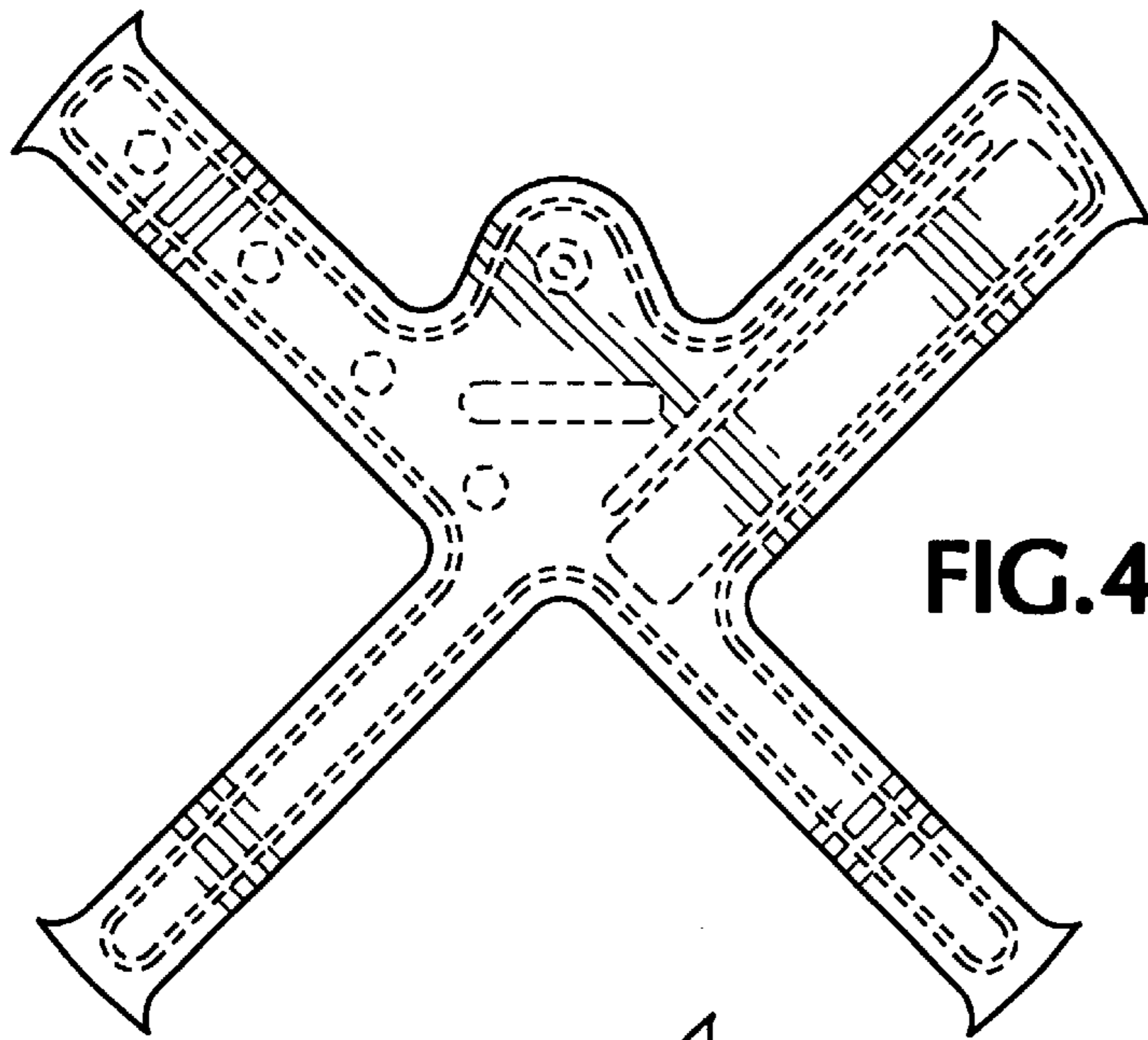


FIG. 4

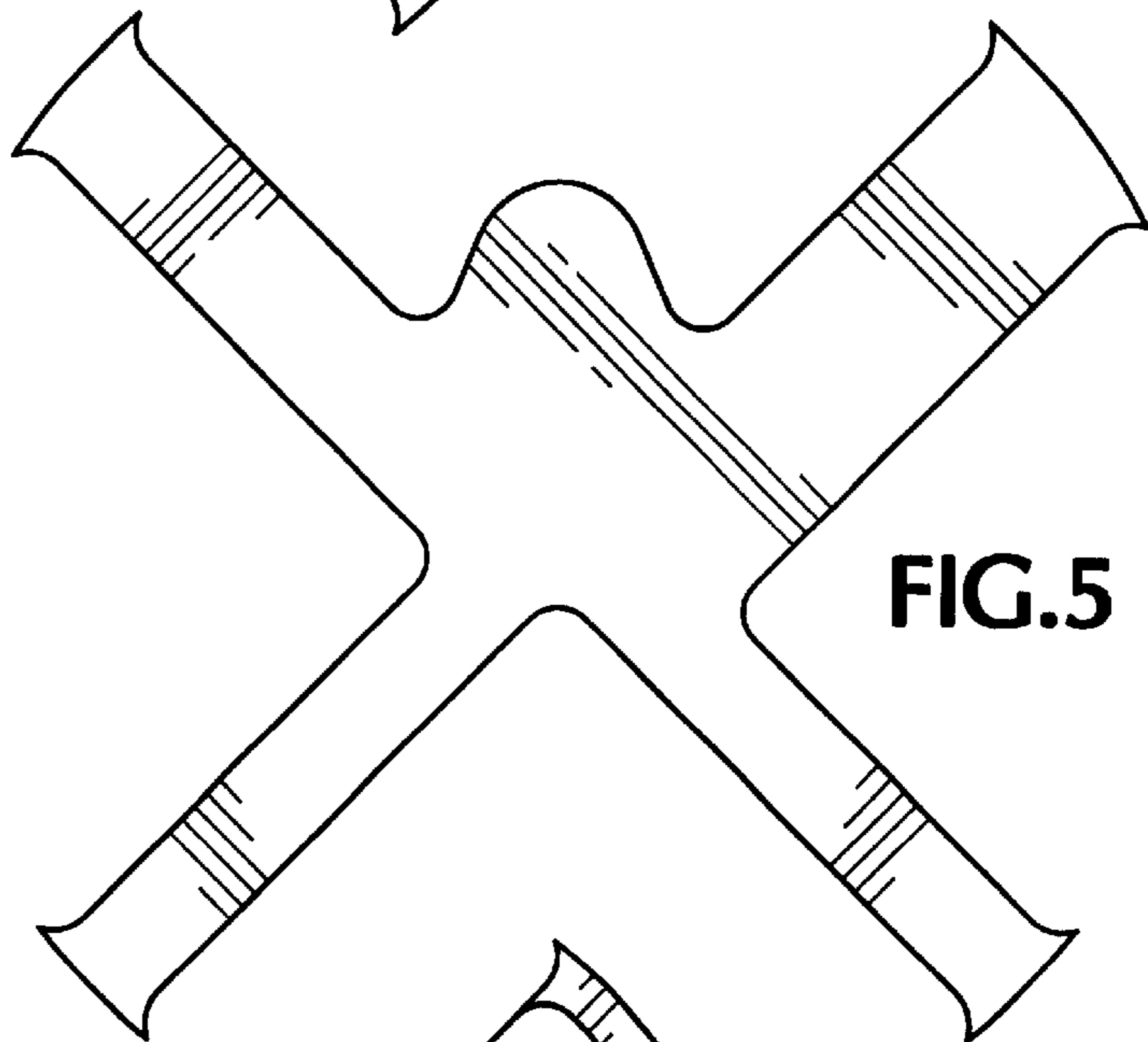


FIG. 5

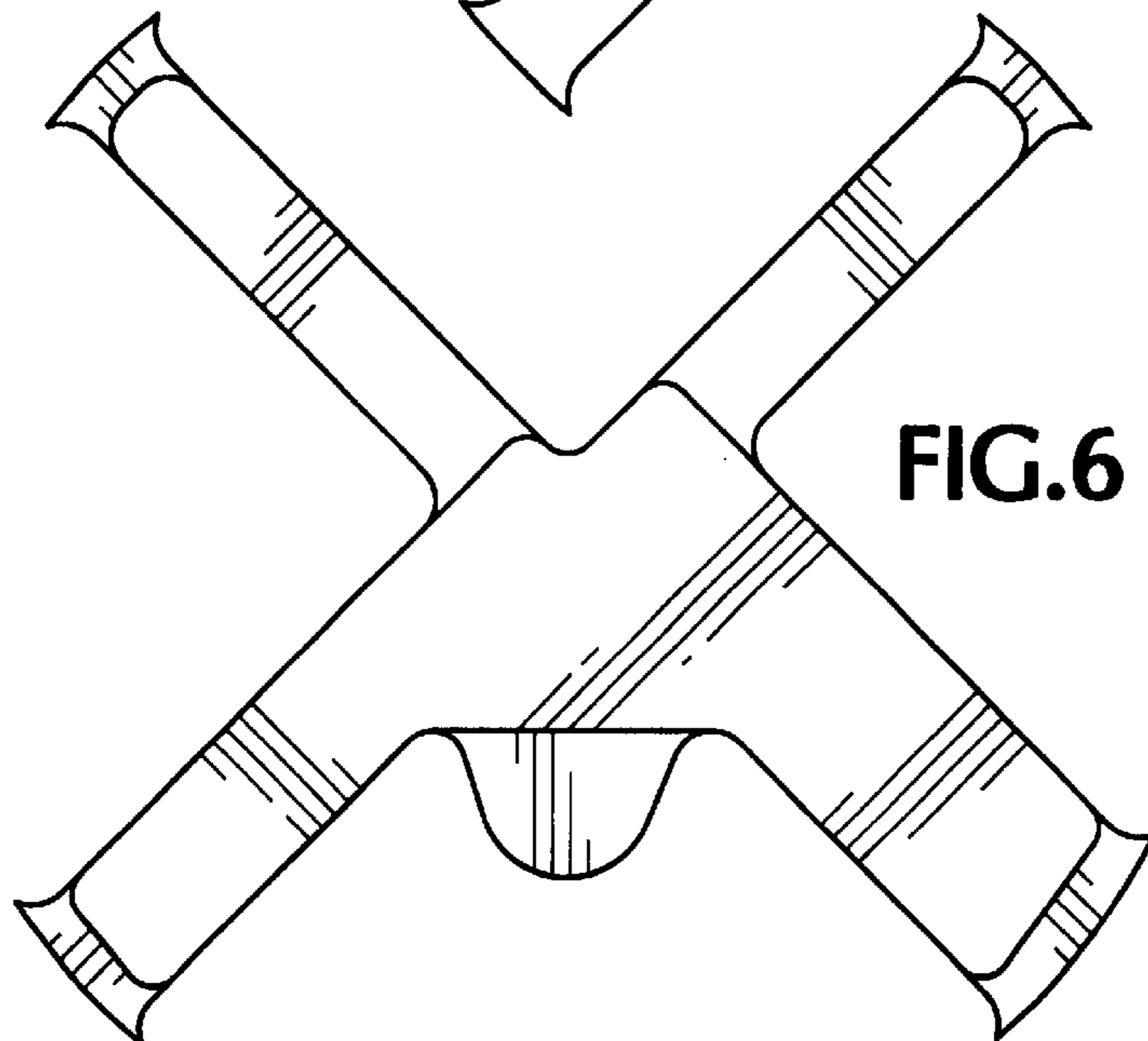


FIG. 6