



US00D441193S

(12) **United States Design Patent**  
**Edwards et al.**

(10) **Patent No.:** **US D441,193 S**

(45) **Date of Patent:** **\*\* May 1, 2001**

(54) **SCUBA TANK TRANSPORT RACK**

(76) Inventors: **Michael N. Edwards; Mary S. Edwards**, both of 871 Peregrine Dr., Indialantic, FL (US) 32903

(\*\*) Term: **14 Years**

(21) Appl. No.: **29/116,821**

(22) Filed: **Jan. 12, 2000**

(51) **LOC (7) Cl.** ..... **03-01**

(52) **U.S. Cl.** ..... **D3/316**

(58) **Field of Search** ..... D3/316, 315, 310, D3/304, 313; D6/552, 553, 571, 512, 514; 211/60.1, 71.01, 85.18; 206/139, 179, 379; 108/53.5; 248/154

(56) **References Cited**

**U.S. PATENT DOCUMENTS**

- D. 241,107 \* 8/1976 Ferrara ..... D6/553
- D. 415,913 \* 11/1999 Ernst ..... D6/512
- 3,590,752 \* 7/1971 Depew ..... 108/53.5
- 4,168,007 \* 9/1979 Rohatensky ..... 211/71.01

- 4,175,666 \* 11/1979 Smith ..... 211/71.01
- 4,804,218 \* 2/1989 Hilliard ..... 294/31.2
- 4,998,629 \* 3/1991 Cheng ..... 211/71.01
- 5,292,012 \* 3/1994 Davis et al. .... 211/71.01

\* cited by examiner

*Primary Examiner*—Louis S. Zarfes

*Assistant Examiner*—Catherine R. Oliver

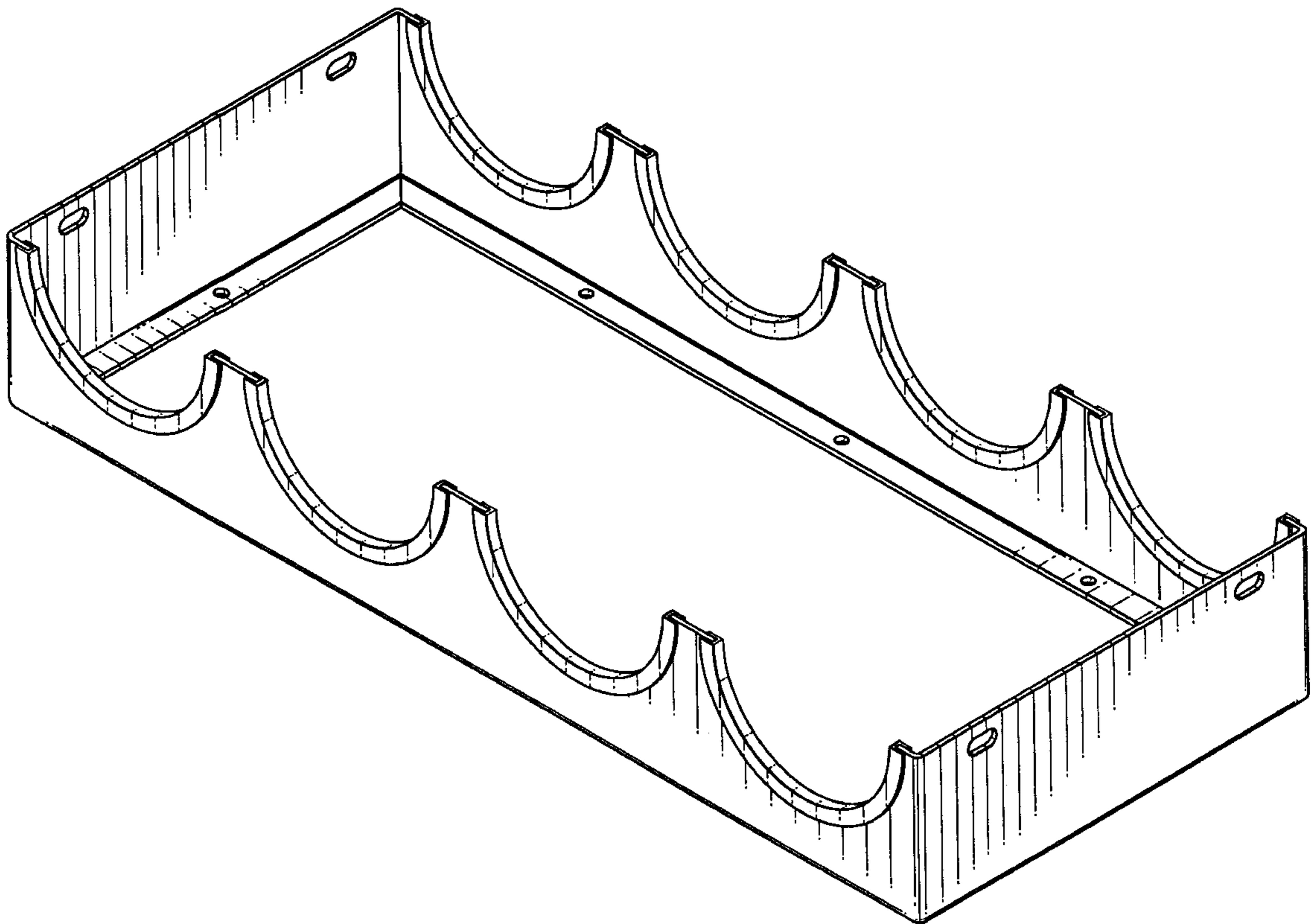
(57) **CLAIM**

We claim the ornamental design for scuba tank transport rack, as shown.

**DESCRIPTION**

FIG. 1 is an isometric view of the scuba tank transport rack design, looking toward the top and left sides;  
 FIG. 2 is a top plan view;  
 FIG. 3 is an elevational view of the left side;  
 FIG. 4 is an elevational view of the front end;  
 FIG. 5 is a bottom plan view;  
 FIG. 6 is an elevational view of the right side; and,  
 FIG. 7 is an elevational view of the back end.

**1 Claim, 6 Drawing Sheets**



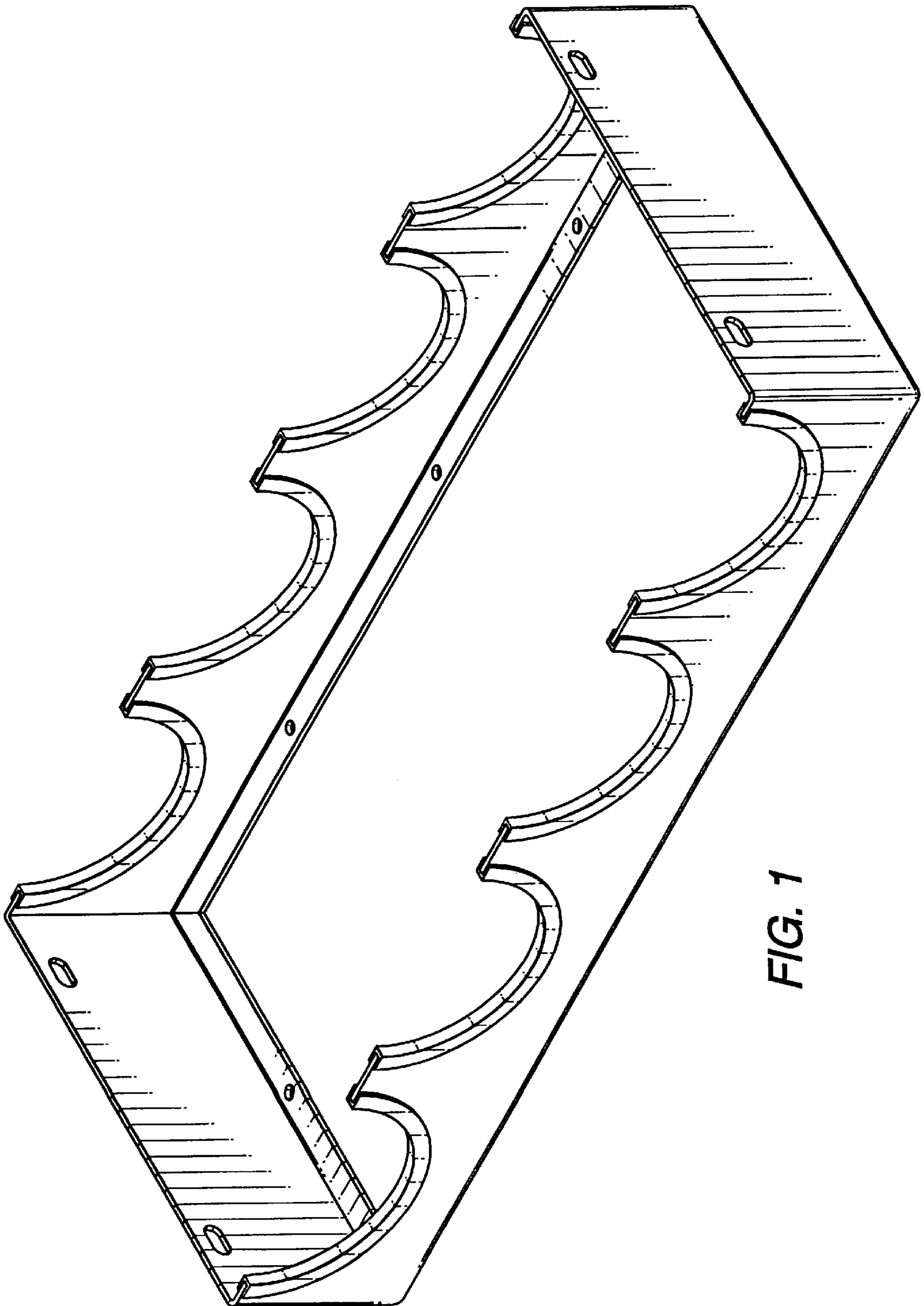


FIG. 1

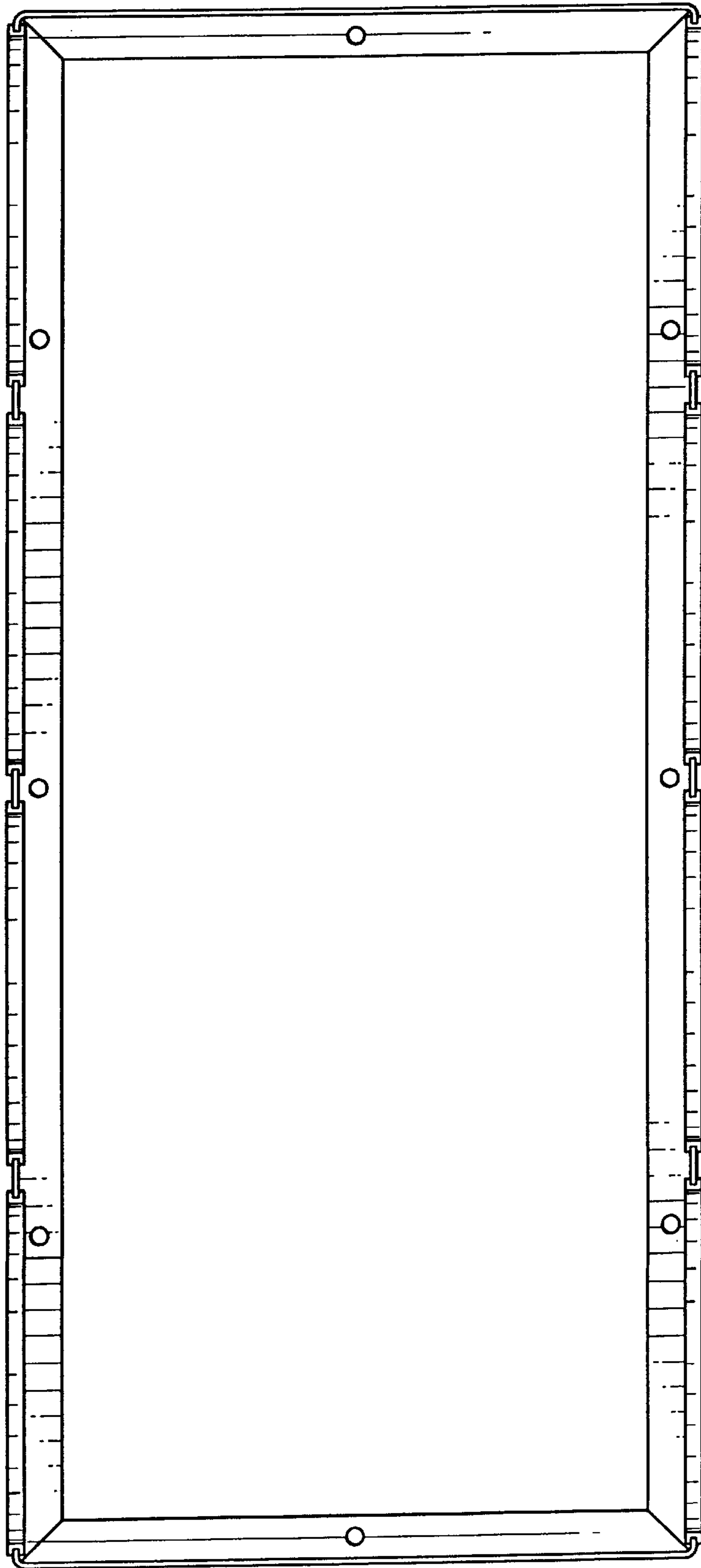
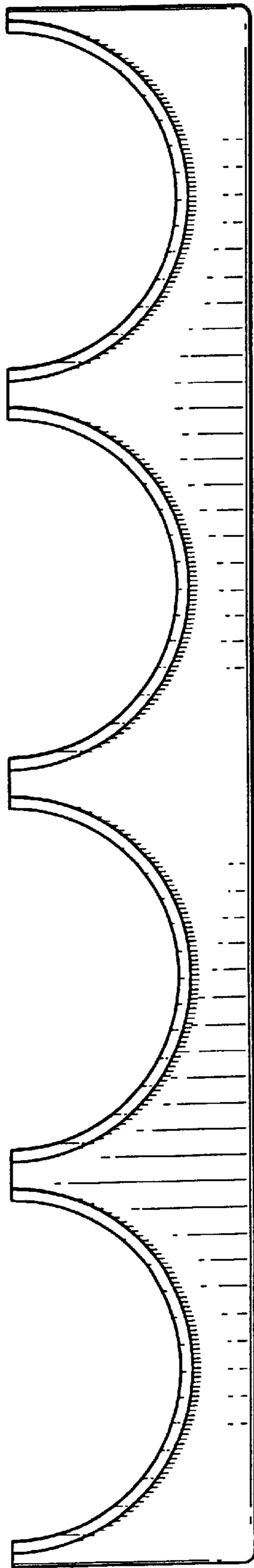
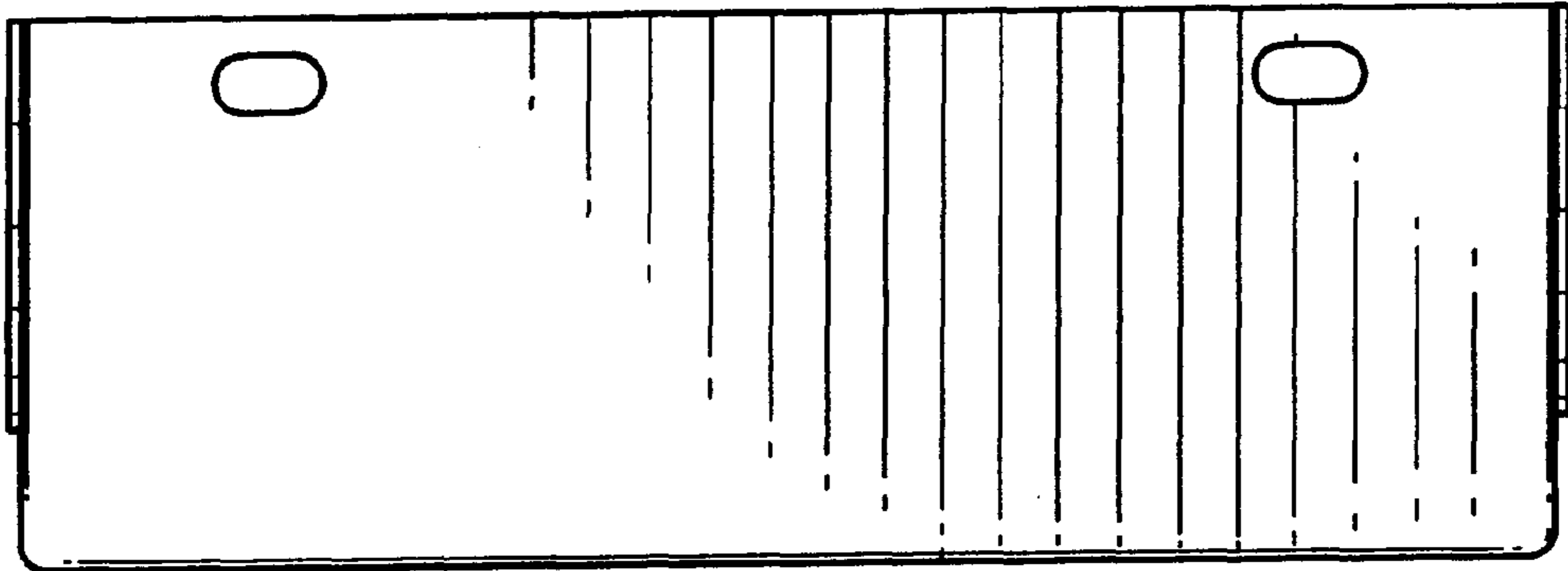


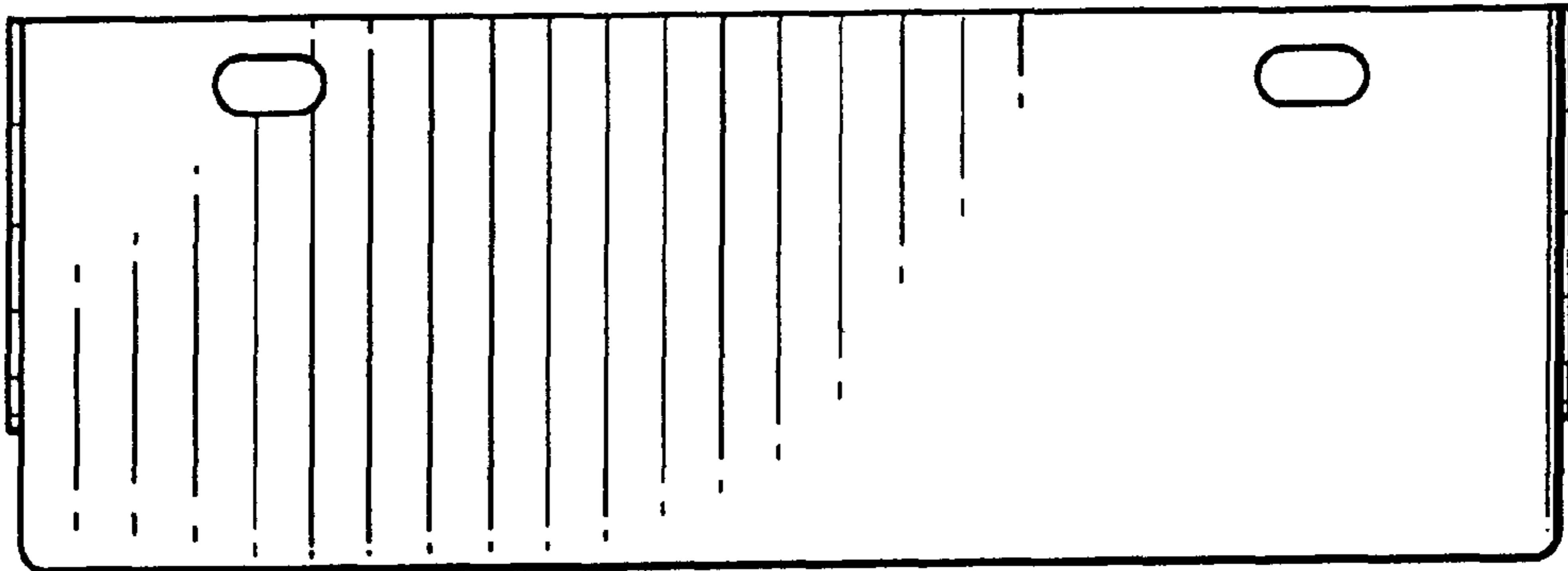
FIG. 2



**FIG. 3**



**FIG. 4**



**FIG. 7**

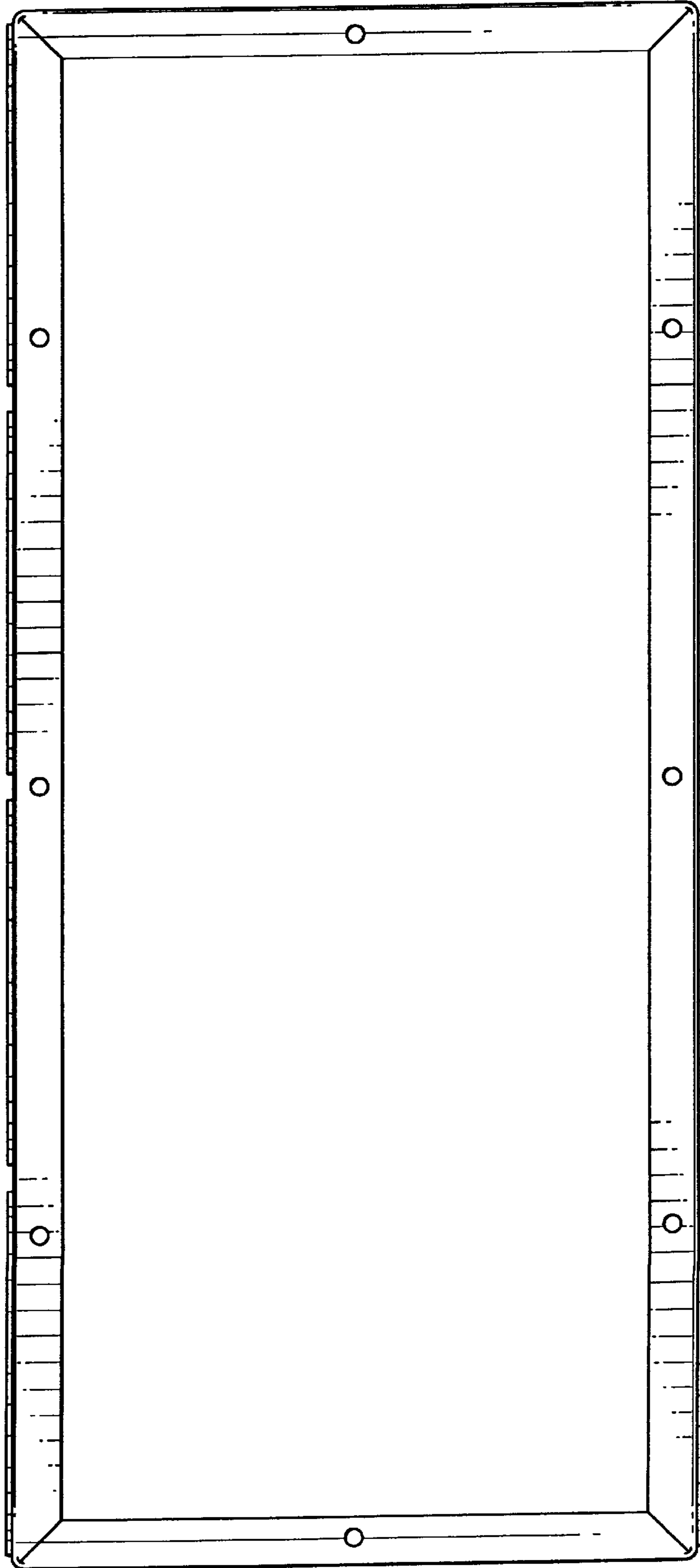


FIG. 5

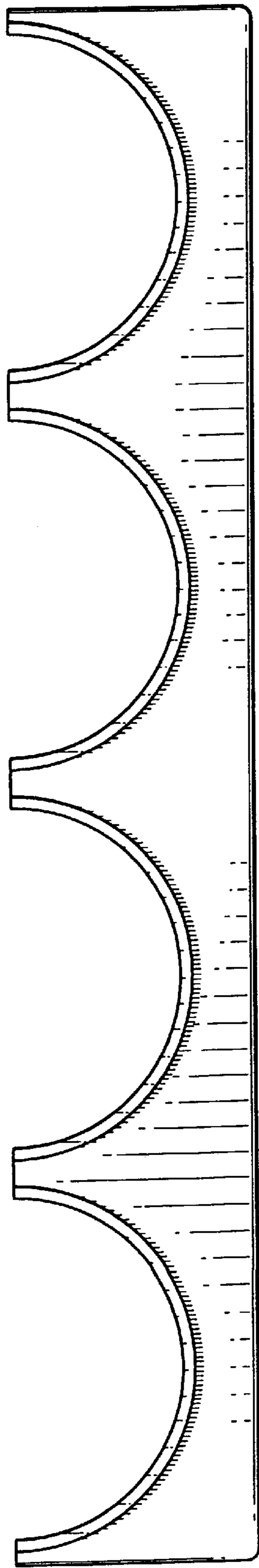


FIG. 6