



US00D441191S

(12) **United States Design Patent** (10) **Patent No.:** **US D441,191 S**  
**Vazquez** (45) **Date of Patent:** **\*\* May 1, 2001**

(54) **WINGED LAPTOP BAG**

(75) Inventor: **Maximino Vazquez**, New York, NY (US)

(73) Assignee: **Maxworld, Inc.**, New York, NY (US)

(\*\*) Term: **14 Years**

(21) Appl. No.: **29/115,683**

(22) Filed: **Dec. 17, 1999**

(51) **LOC (7) Cl.** ..... **03-01**

(52) **U.S. Cl.** ..... **D3/290**

(58) **Field of Search** ..... D3/276, 283, 285,  
D3/284, 287, 289, 290; 190/100, 109, 110,  
111, 112, 113

(56) **References Cited**

**U.S. PATENT DOCUMENTS**

D. 276,953	1/1985	Weinreb	.....	D3/289
D. 302,211	7/1989	Sears	.....	D3/283
D. 333,913	* 3/1993	Tuman	.....	D3/285
D. 340,356	10/1993	Hughes	.....	D3/283
D. 346,694	* 5/1994	Cyr et al.	.....	D3/287
D. 356,678	3/1995	Tawil	.....	D3/276
D. 358,483	5/1995	Cross et al.	.....	D3/276
D. 358,935	* 6/1995	Chang et al.	.....	D3/276
D. 360,075	7/1995	Cross et al.	.....	D3/276
D. 360,977	8/1995	Katz	.....	D3/276
D. 360,978	8/1995	Willard et al.	.....	D3/301
D. 368,370	4/1996	Tawil	.....	D3/276
D. 381,807	* 8/1997	Pickle	.....	D3/273
D. 387,906	* 12/1997	Petty	.....	D3/285
D. 390,352	2/1998	Lane	.....	D3/216
D. 391,076	2/1998	Test	.....	D3/287
D. 417,782	* 12/1999	Tawil	.....	D3/289
4,796,735	1/1989	Horiuchi	.....	190/109
5,706,992	1/1998	Moor	.....	224/657
5,826,770	10/1998	Chuang	.....	224/607

\* cited by examiner

*Primary Examiner*—Philip S. Hyder  
(74) *Attorney, Agent, or Firm*—Darby & Darby

(57) **CLAIM**

The ornamental design for a winged laptop bag, as shown and described.

**DESCRIPTION**

FIG. 1 is a top plan view of an exterior surface of a winged laptop bag shown in an unfolded state with the wings in an open condition, the fabric of the bag being made from a first preselected fabric in at least one of a color and a pattern, and the wings being made from a fabric corresponding to the first preselected fabric;

FIG. 2 is a bottom plan view of the bag of FIG. 1 showing an interior surface thereof and a pouch for receiving items; FIG. 3 is a top plan view of the bag of FIG. 1 in which the wings are in a closed condition;

FIG. 4 a bottom plan view of the bag of FIG. 2, showing the wings in the closed condition and further showing the overlapping wing tips;

FIG. 5 is a left side elevation view of the bag of FIG. 3, the right side view being a mirror image thereof;

FIG. 6 is a left side elevation view of the bag of FIG. 3 with the bag now shown in a folded state, the right side view being a mirror image thereof;

FIG. 7 is a top plan view of the exterior surface of the winged laptop bag, when viewed in a folded state;

FIG. 8 is a bottom plan view of the exterior surface of the winged laptop bag, when viewed in a folded state;

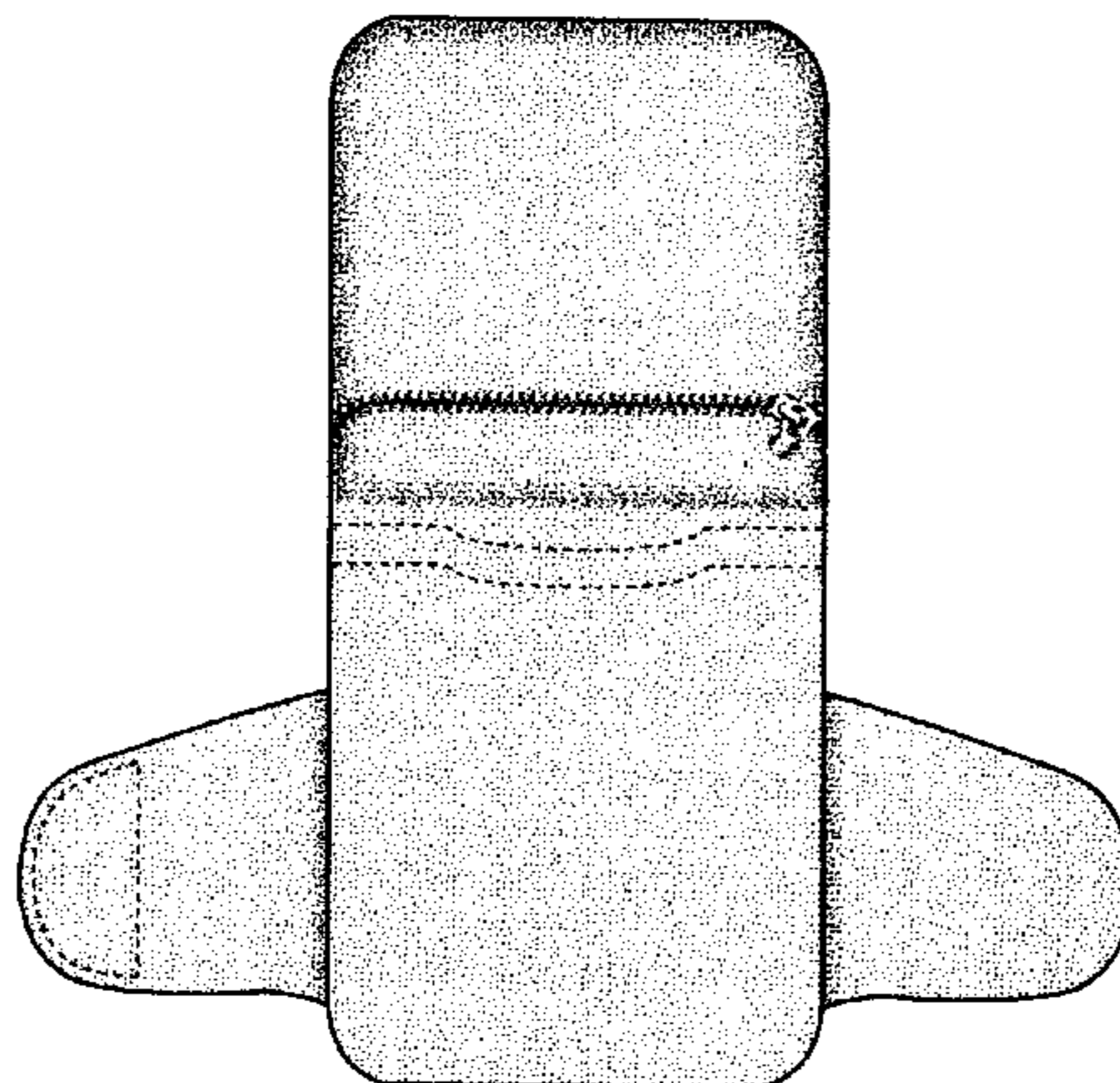
FIG. 9 is the top plan view of a modified embodiment of FIG. 1, now showing the wings being made from a second preselected fabric which is different than the first preselected fabric;

FIG. 10 is a bottom top plan view of the modified embodiment, now showing the wings being made from a second preselected fabric which is different than the first preselected fabric.

FIG. 11 is a front view of the bag of FIG. 1; and, FIG. 12 is a rear view of the bag of FIG. 1.

The broken line showing of the closure device provided on the wings (e.g., hook and loop fasteners), the pouch, the handle and the zipper as well as the position and size of these elements relative to the claimed design and any other broken lines are to show the environment only (e.g., stitching) and are not part of the claimed design.

**1 Claim, 6 Drawing Sheets**



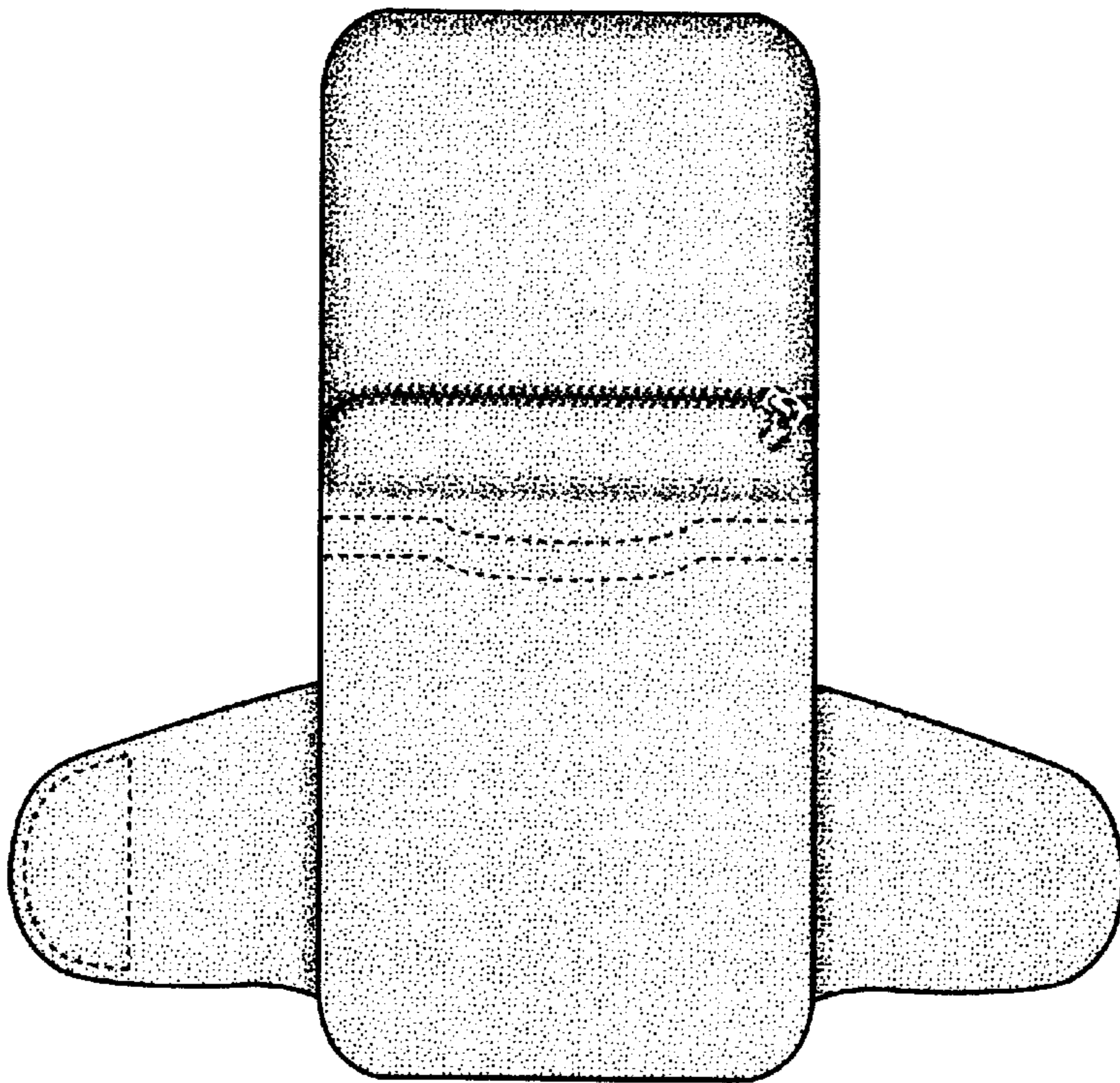


FIG. 1

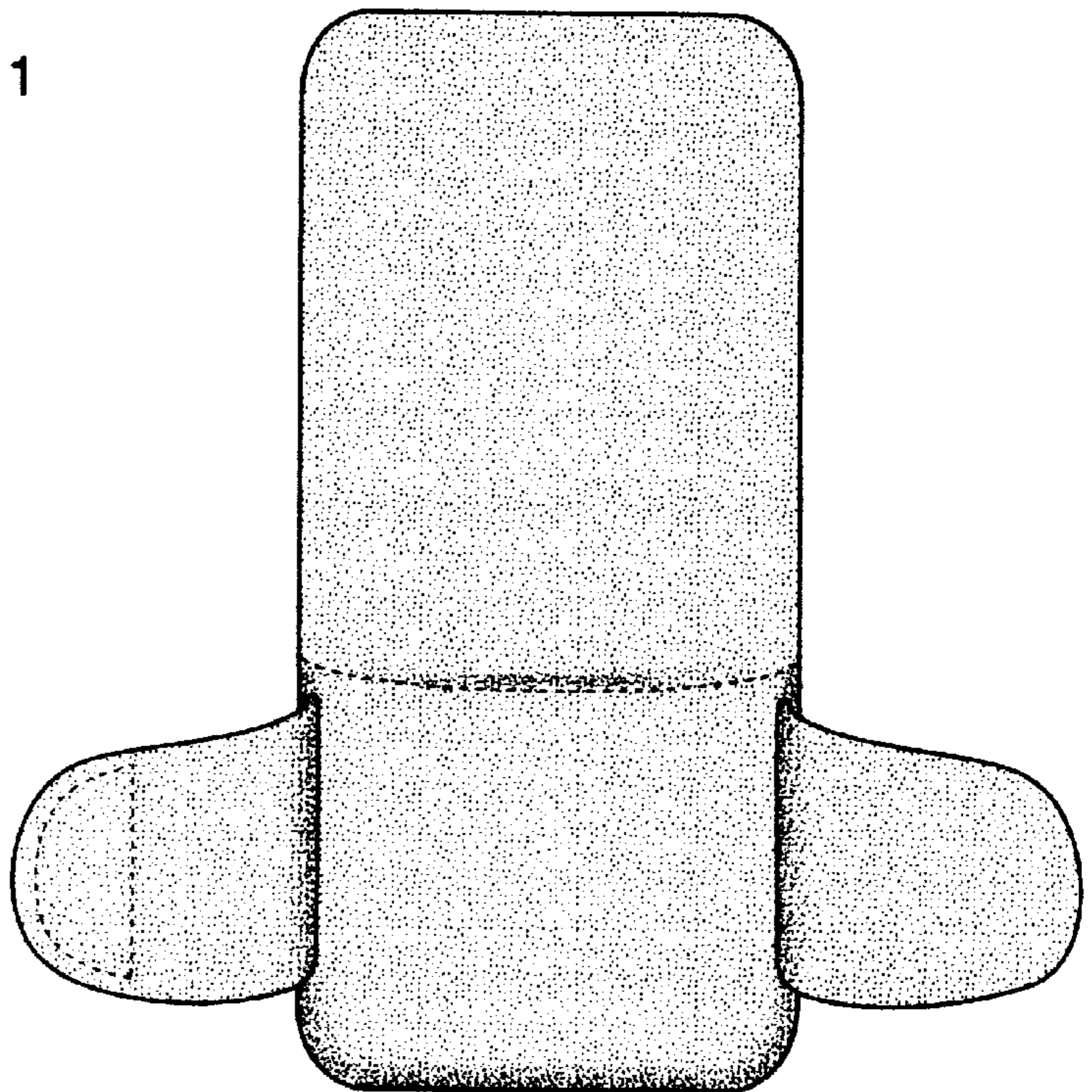


FIG. 2



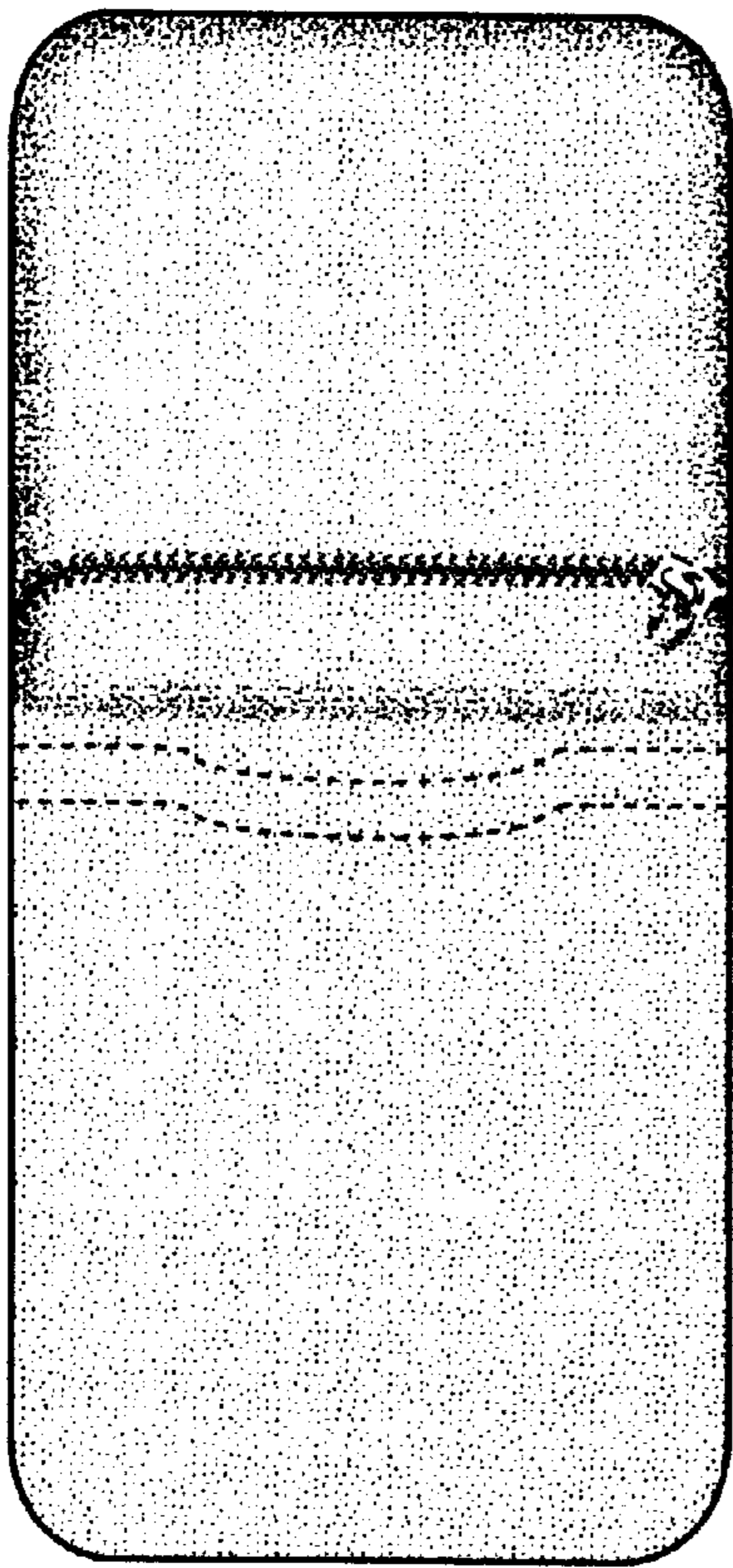


FIG. 3

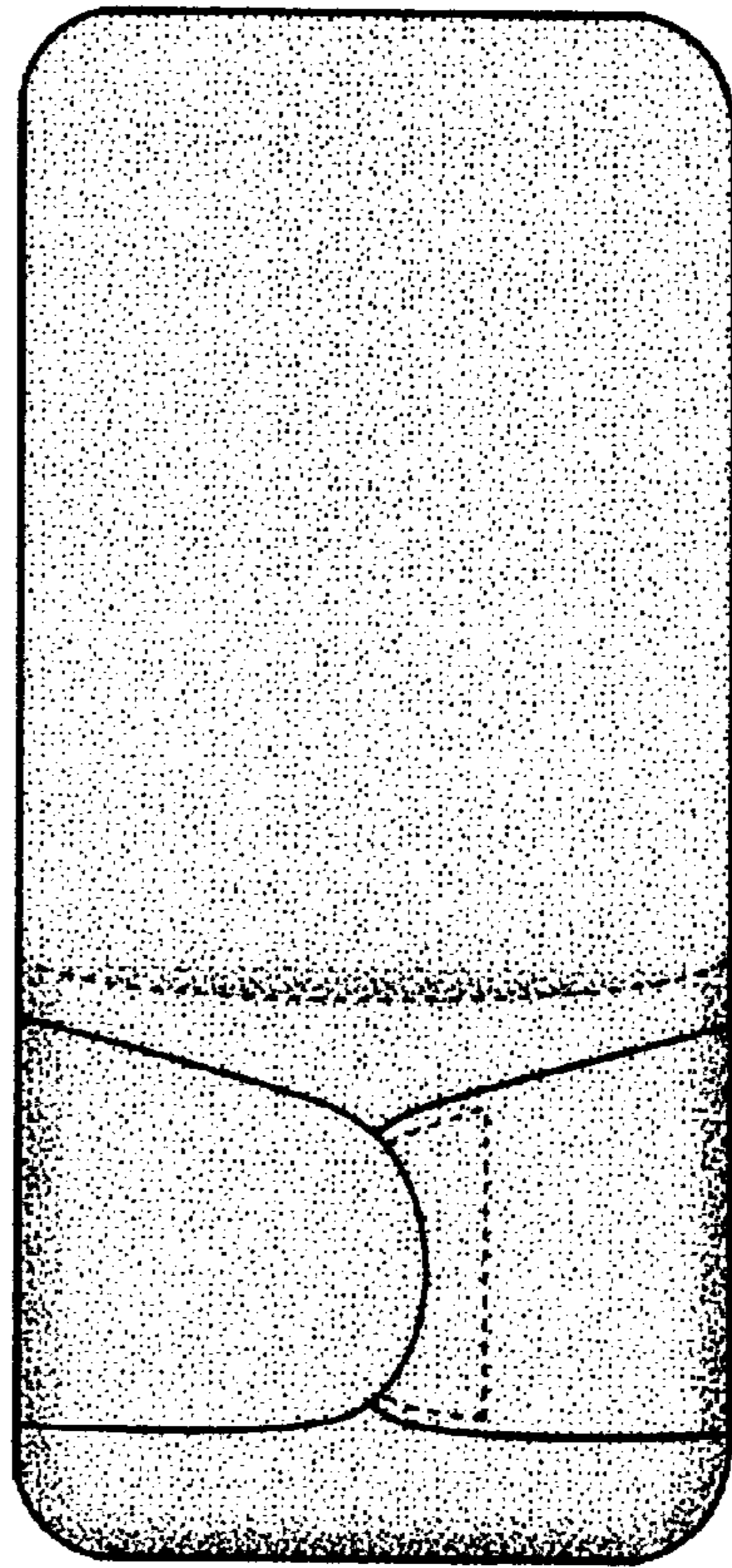


FIG. 4

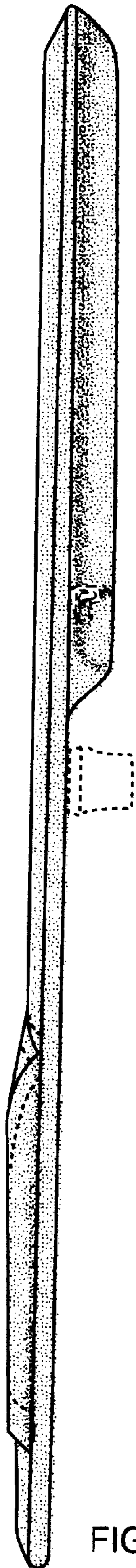


FIG. 5

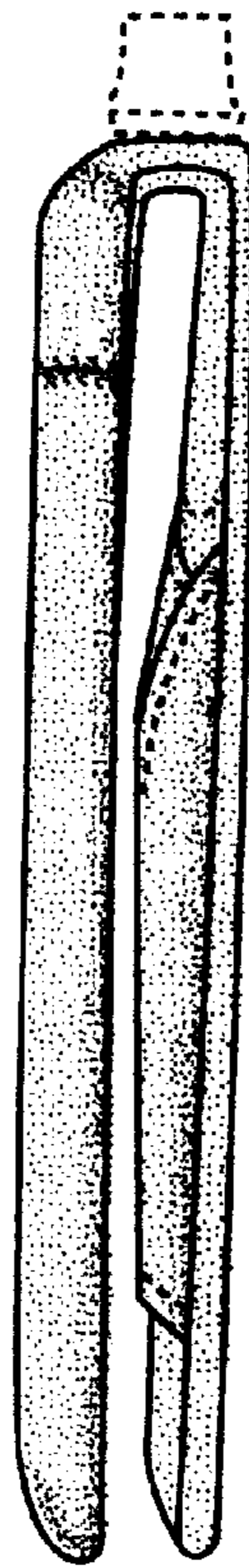


FIG. 6



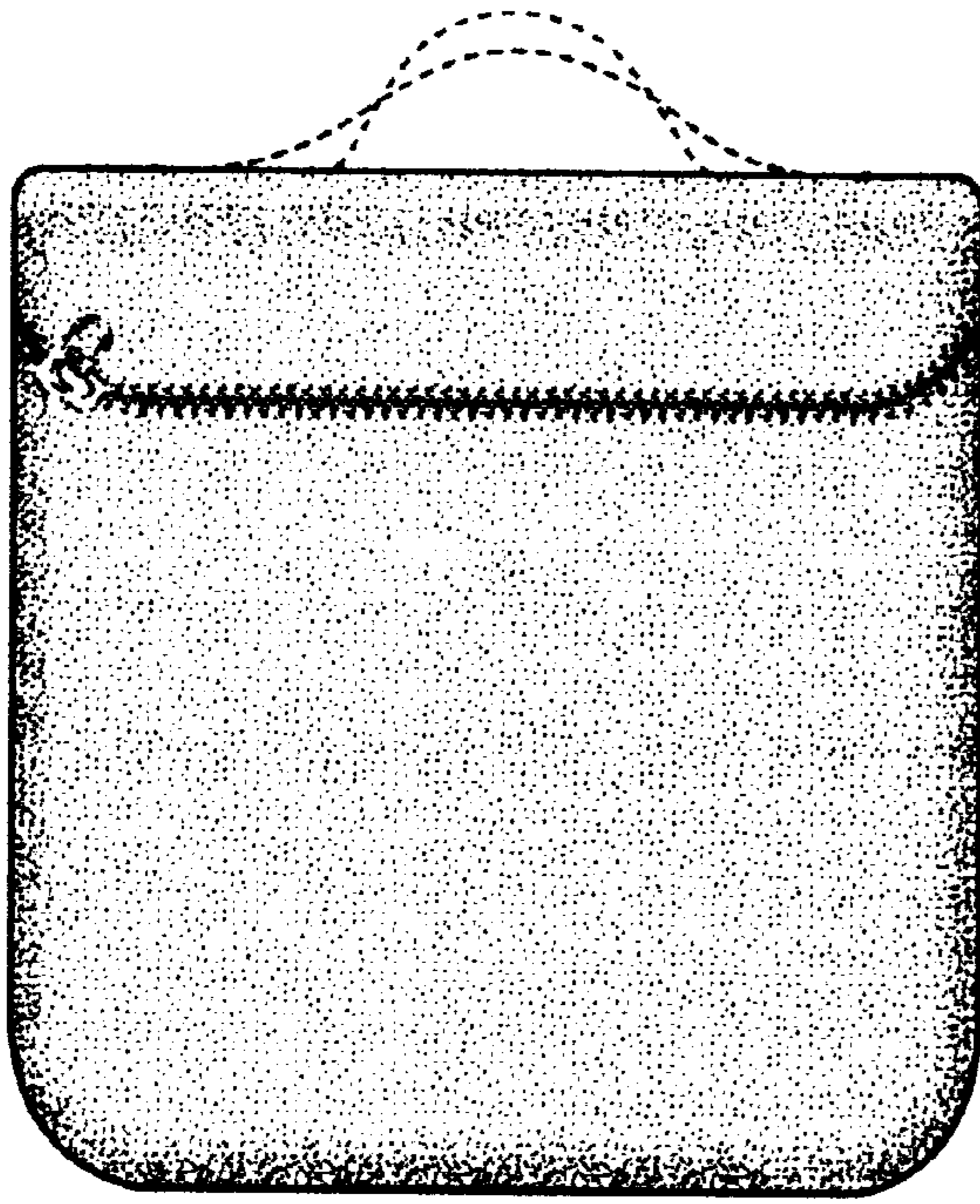


FIG. 7

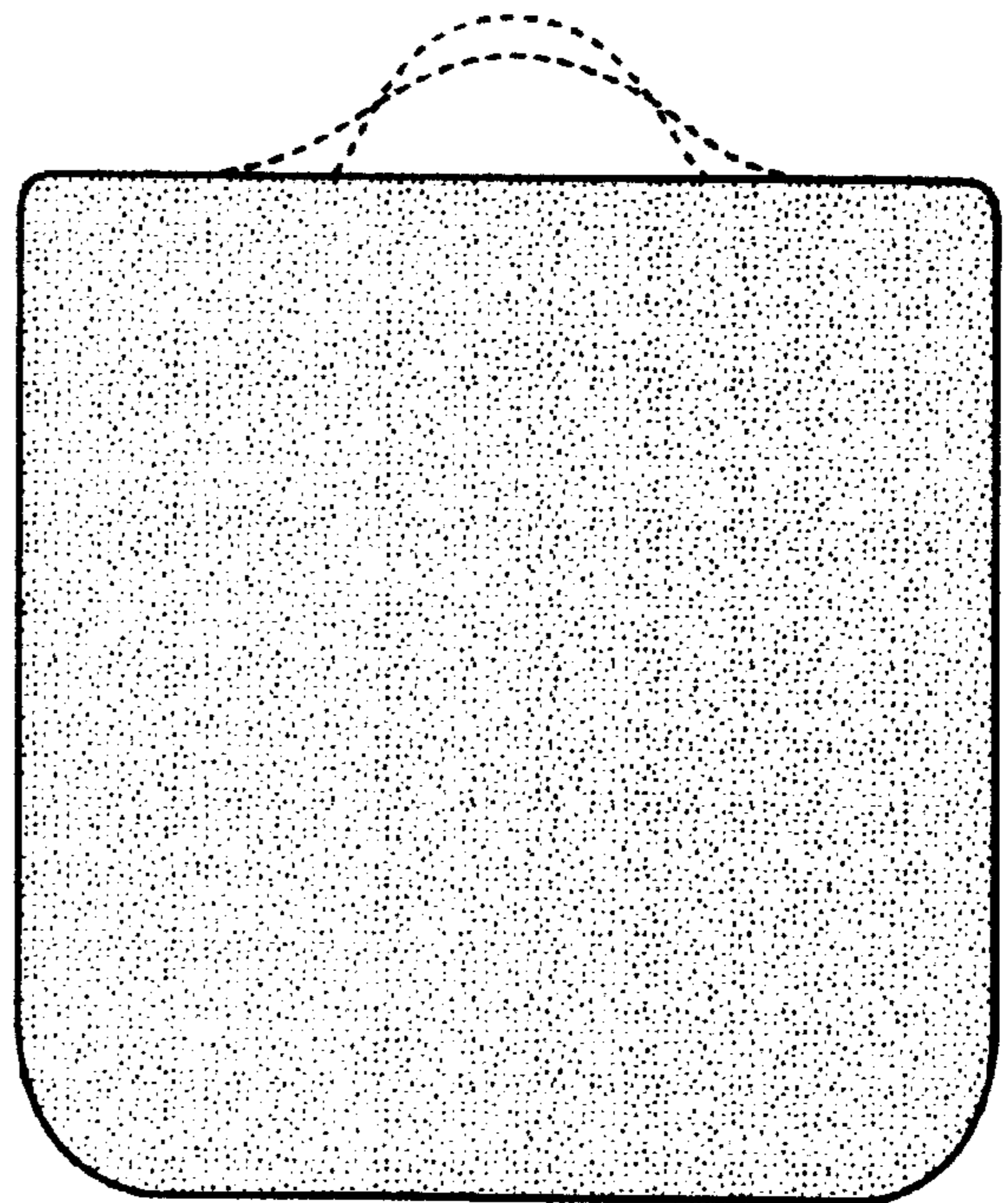


FIG. 8

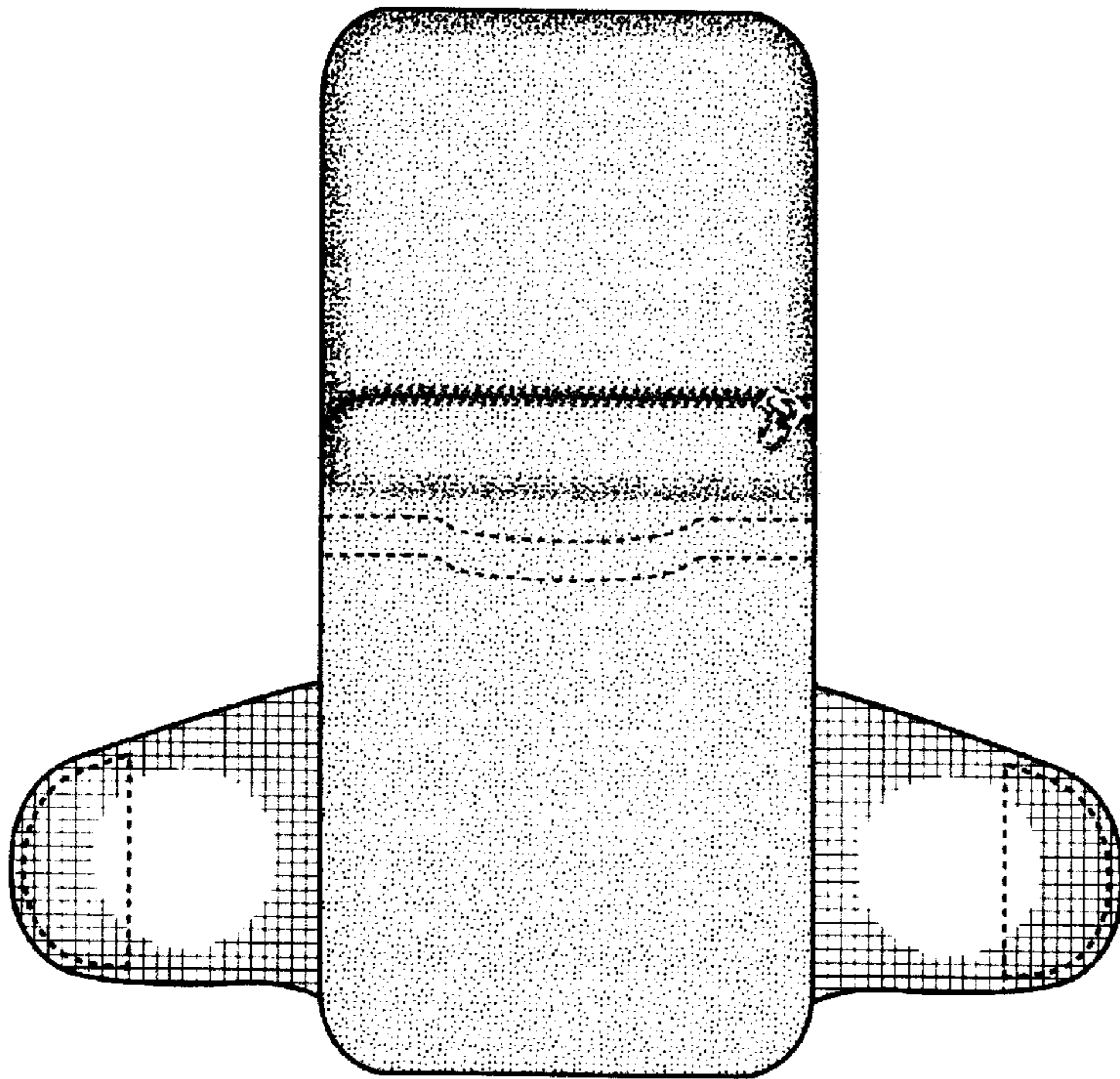


FIG. 9

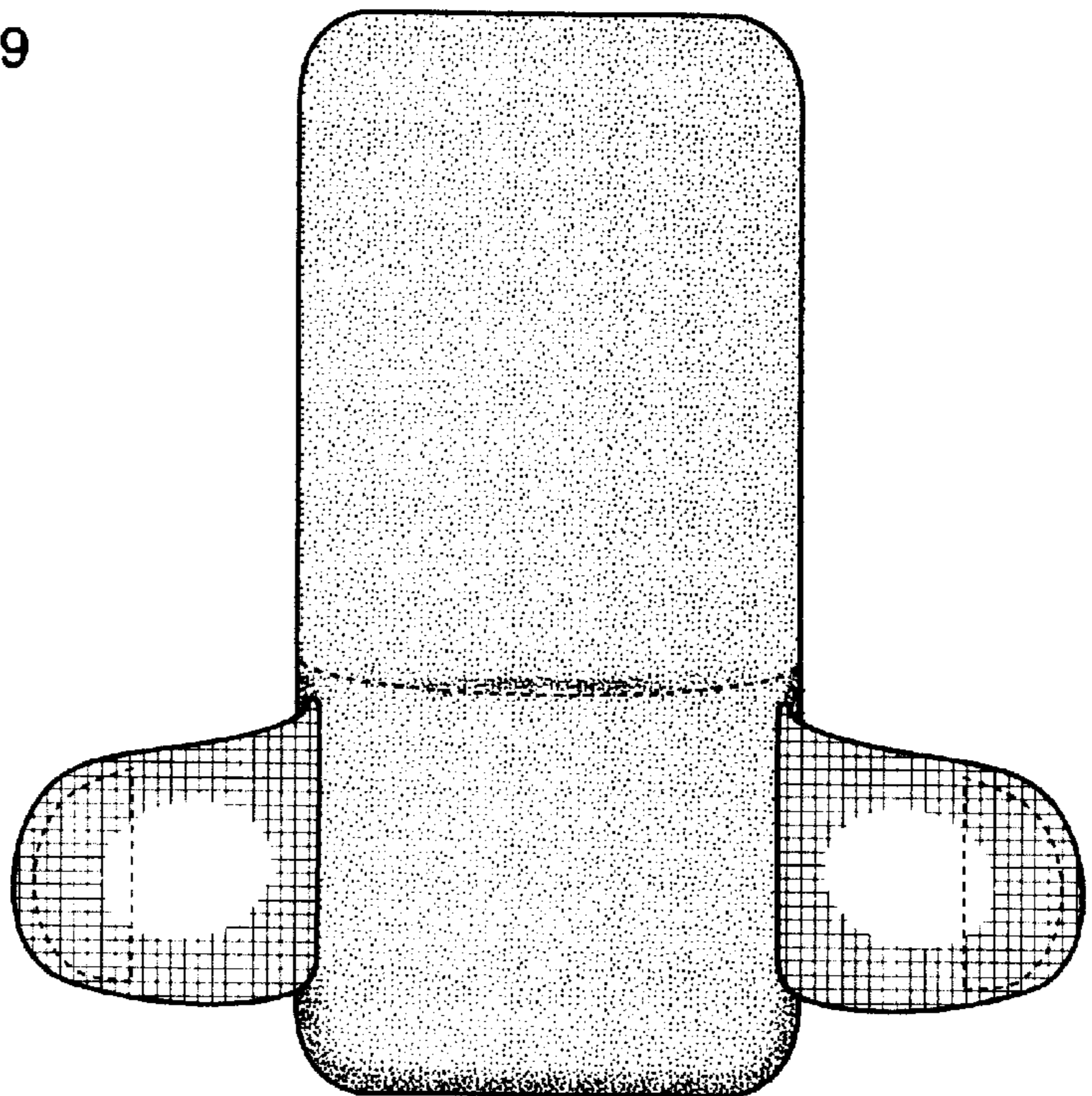


FIG. 10



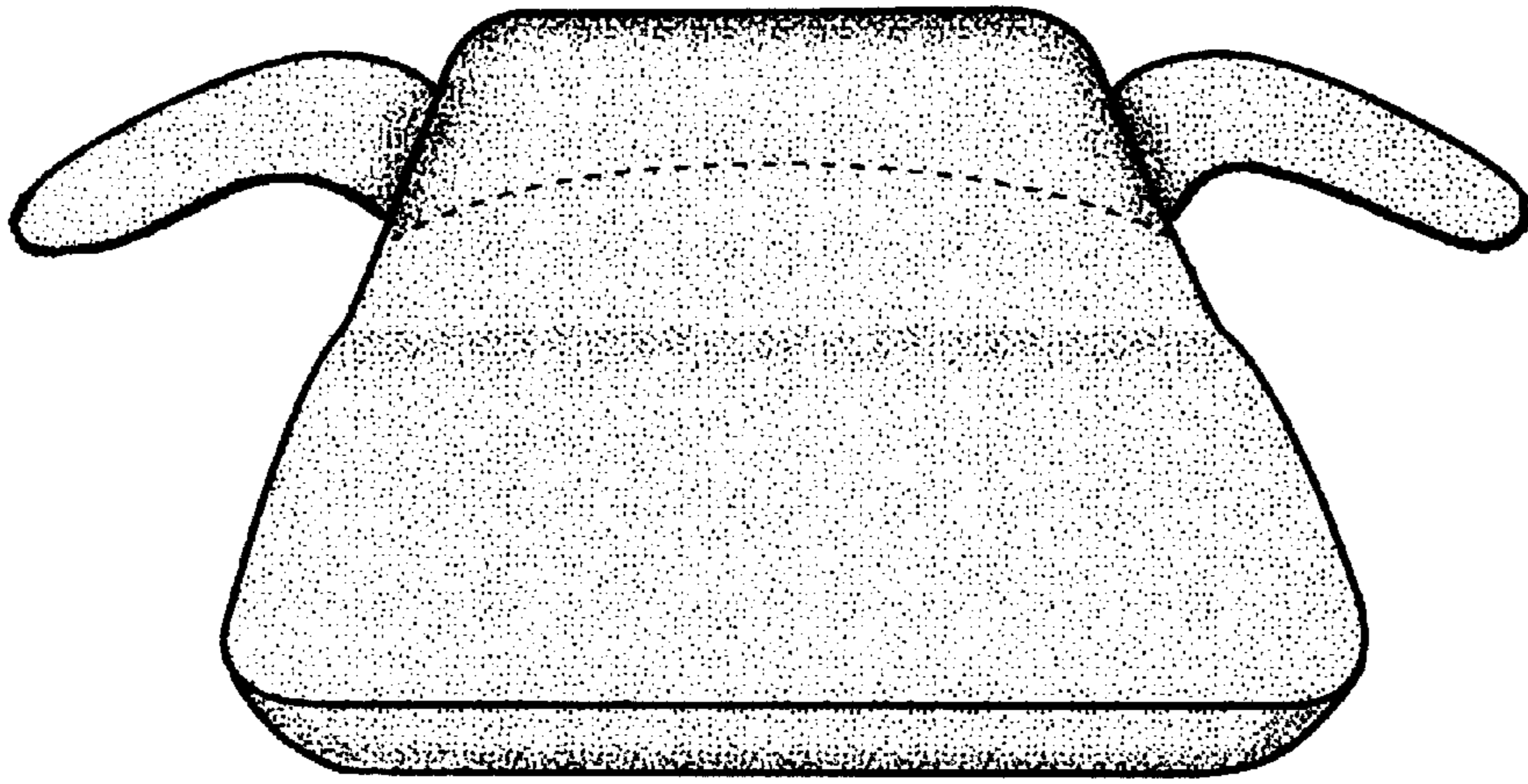


FIG.11

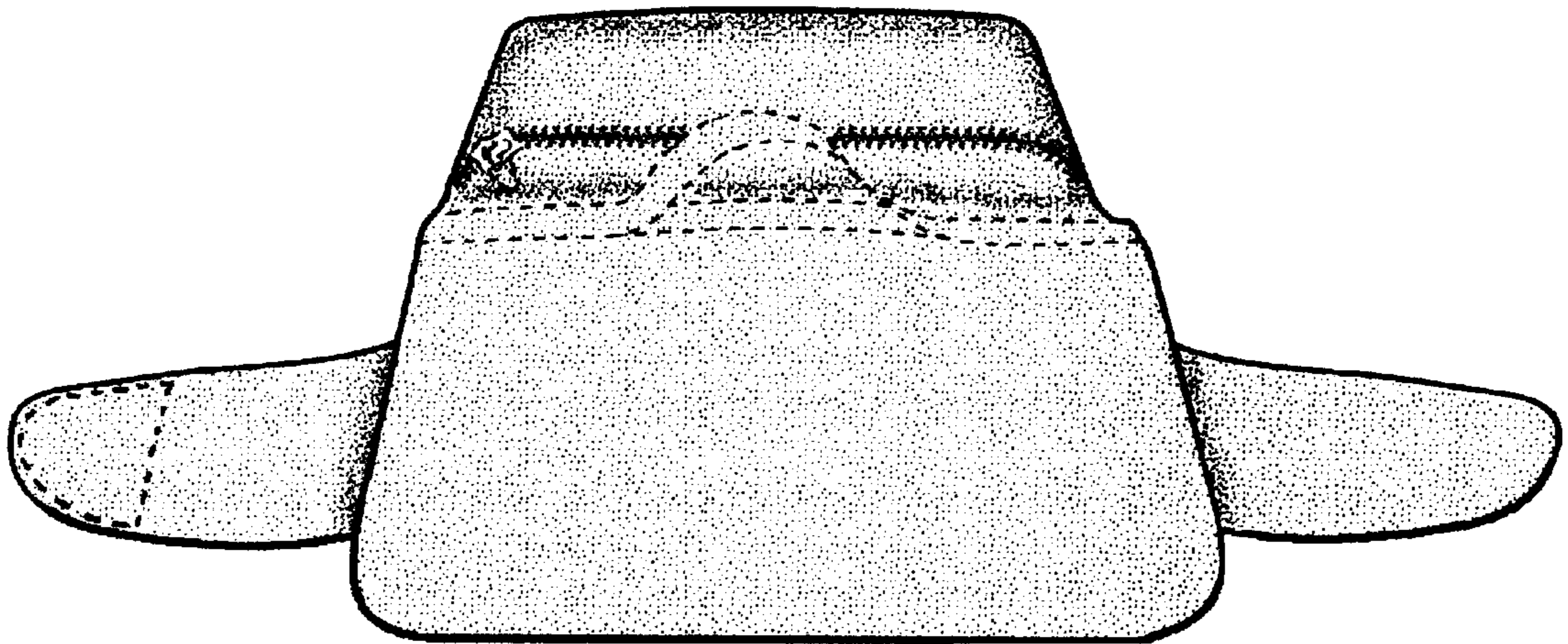


FIG.12