



US00D441177S

(12) **United States Design Patent**
Adam

(10) **Patent No.:** **US D441,177 S**

(45) **Date of Patent:** **** May 1, 2001**

(54) **TWO-PIECE CLEAT ASSEMBLY**

(76) Inventor: **John M. Adam**, 818 Colston Rd.,
Marietta, GA (US) 30060

(**) Term: **14 Years**

(21) Appl. No.: **29/128,502**

(22) Filed: **Aug. 28, 2000**

(51) **LOC (7) Cl.** **02-04**

(52) **U.S. Cl.** **D2/962**

(58) **Field of Search** D2/962, 906; 36/126-130,
36/67 A, 67 B, 67 C, 67 D, 59 R, 134,
59 C, 62, 65, 34 A

(56) **References Cited**

U.S. PATENT DOCUMENTS

D. 401,046	*	11/1998	McMullin	D2/962
D. 423,767	*	5/2000	Kan	D2/962
D. 428,690	*	8/2000	Yu	D2/962
5,957,642	*	11/1998	Pratt	36/134
5,962,980	*	7/1999	Adam	36/134

* cited by examiner

Primary Examiner—Louis S. Zarfes
Assistant Examiner—Gregory Andoll

(74) *Attorney, Agent, or Firm*—Harry I. Leon; Vivian L. Steadman

(57) **CLAIM**

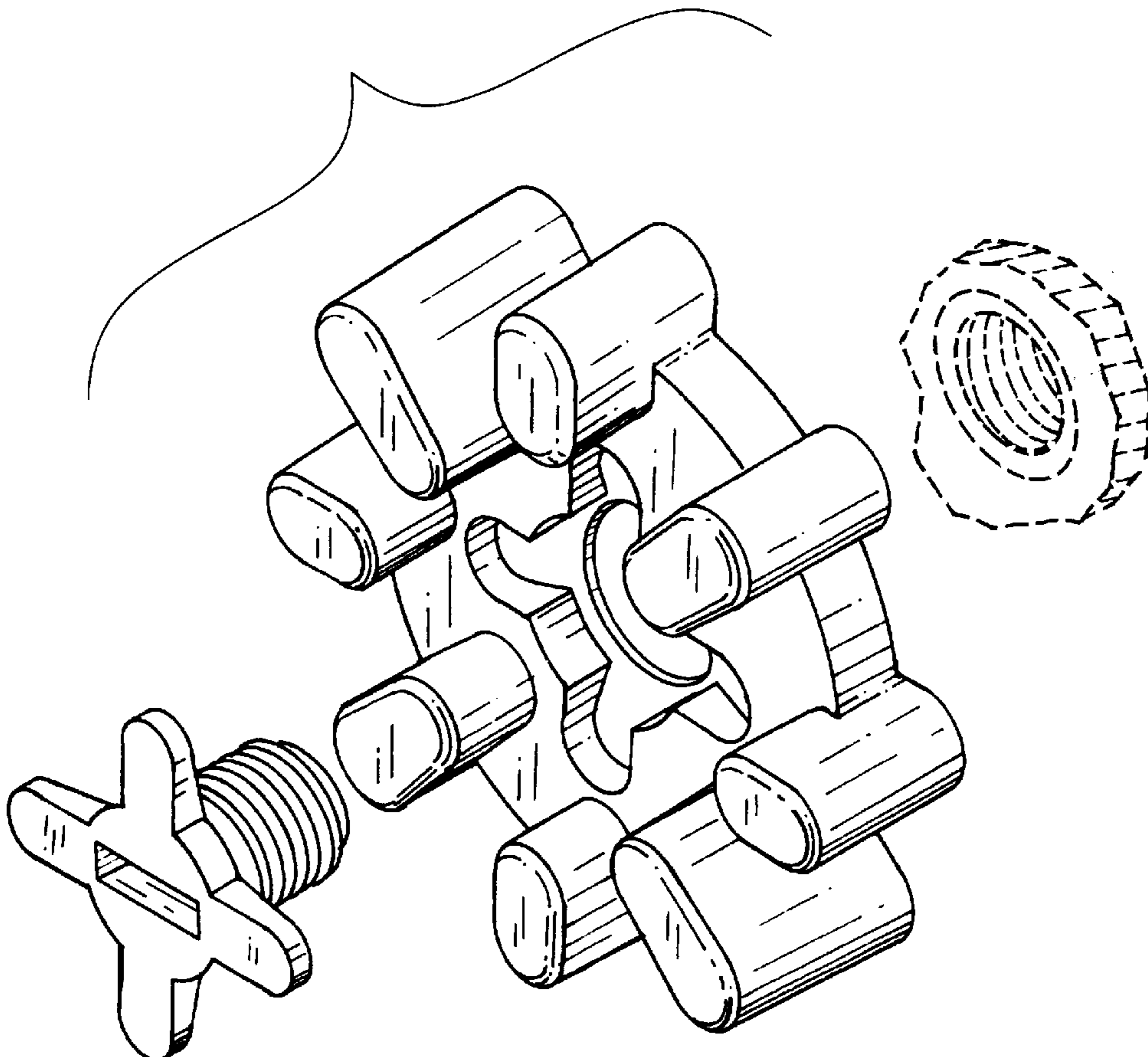
The ornamental design for a two-piece cleat assembly, as shown and described.

DESCRIPTION

FIG. 1 is an exploded bottom perspective view of a two-piece cleat assembly showing my new design;
 FIG. 2 is an assembled view thereof;
 FIG. 3 is a bottom plan view of the cleat portion of the two-piece cleat assembly shown in FIG. 1;
 FIG. 4 is an exploded top perspective view of the two-piece cleat assembly shown in FIG. 1;
 FIG. 5 is a cross-sectional view taken along line 5—5 of FIG. 3;
 FIG. 6 is a cross-sectional view taken along line 6—6 of FIG. 3;
 FIG. 7 is a bottom plan view of the of the threaded tee portion of the two-piece cleat assembly shown in FIG. 1; and,
 FIG. 8 is a side view thereof.

The broken line showing of a fragmentary portion of an athletic shoe with threaded socket in FIG. 1 is for illustrative purposes only and forms no part of the claimed design.

1 Claim, 3 Drawing Sheets



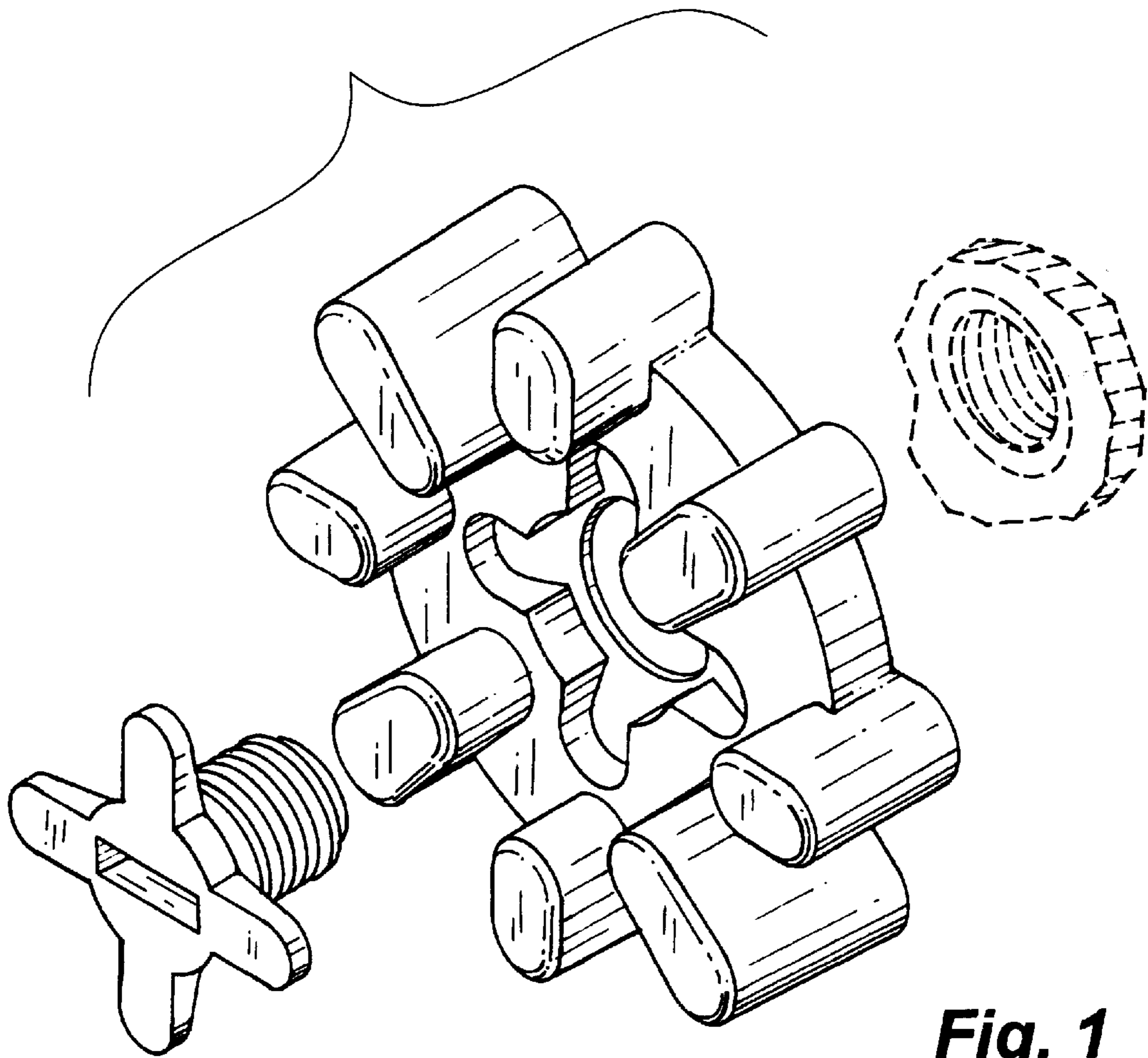


Fig. 1

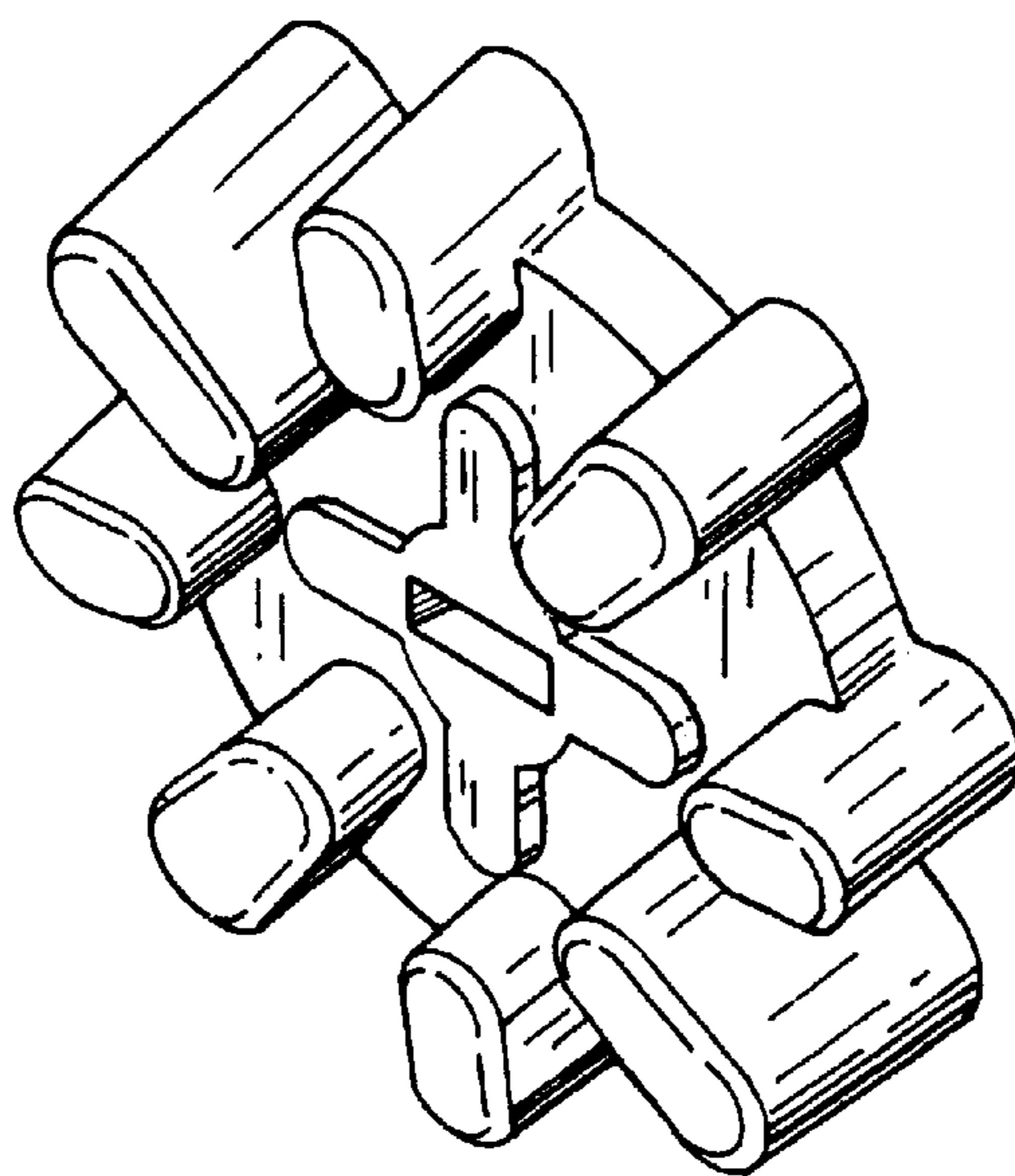


Fig. 2

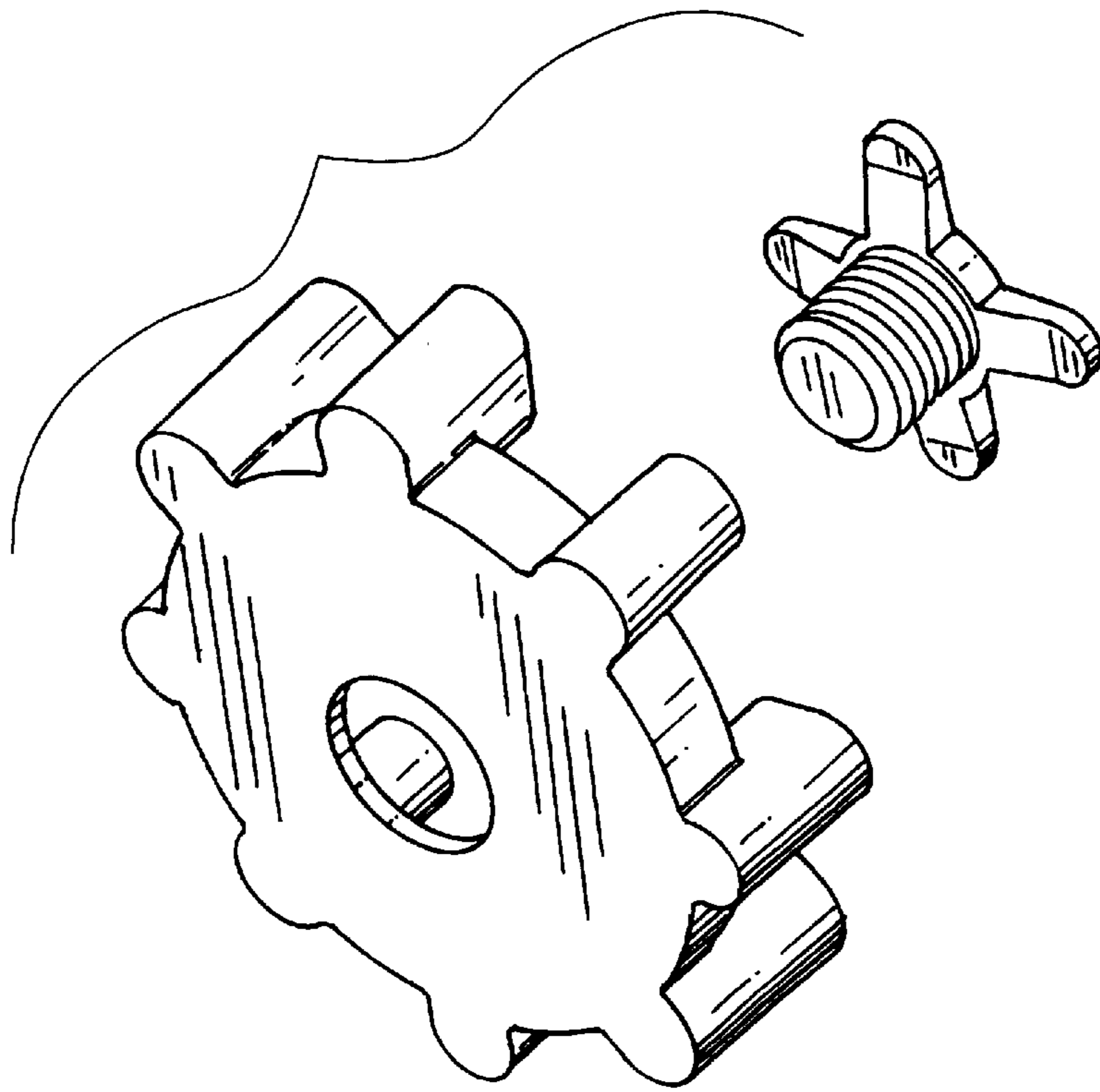
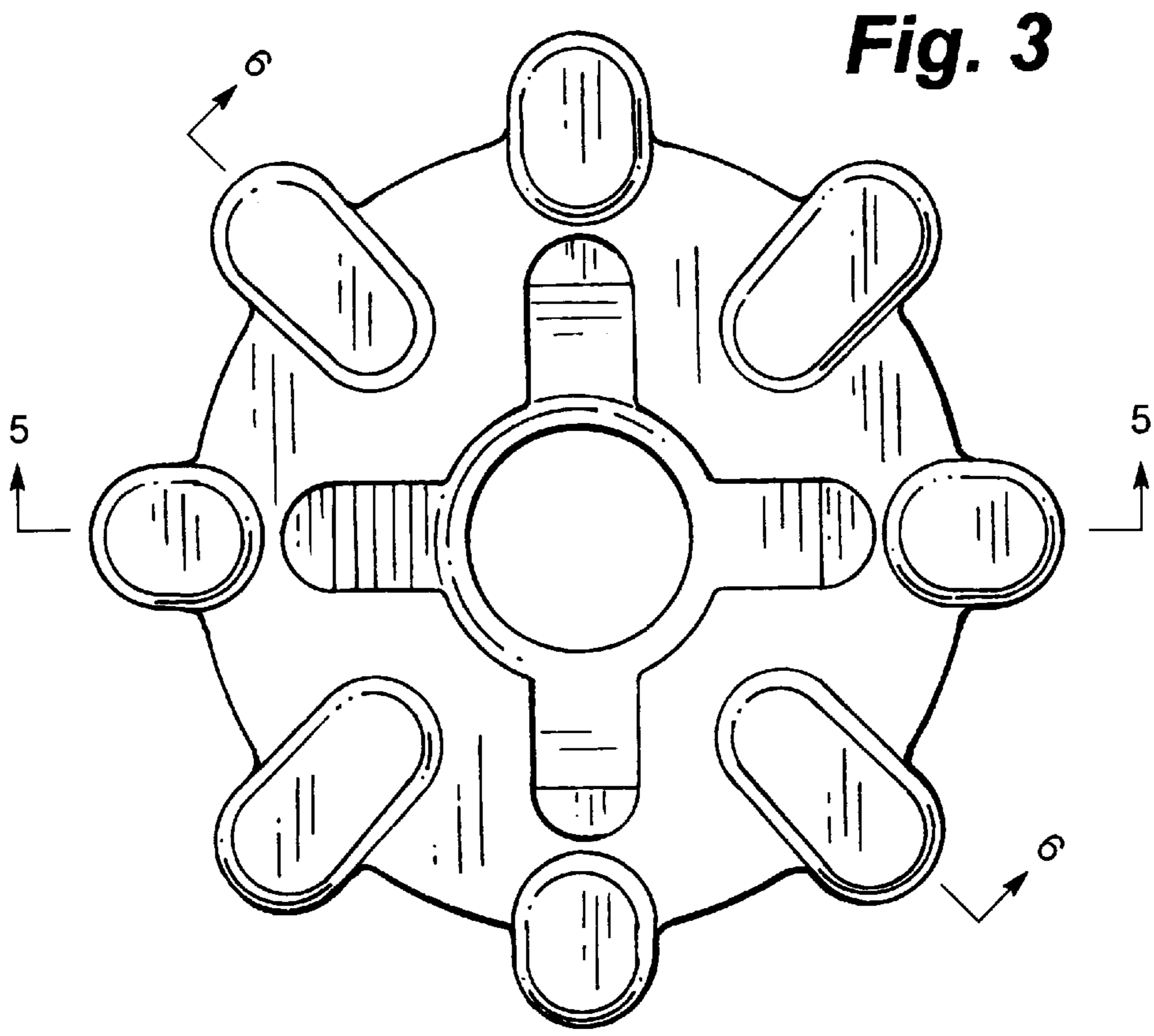


Fig. 4

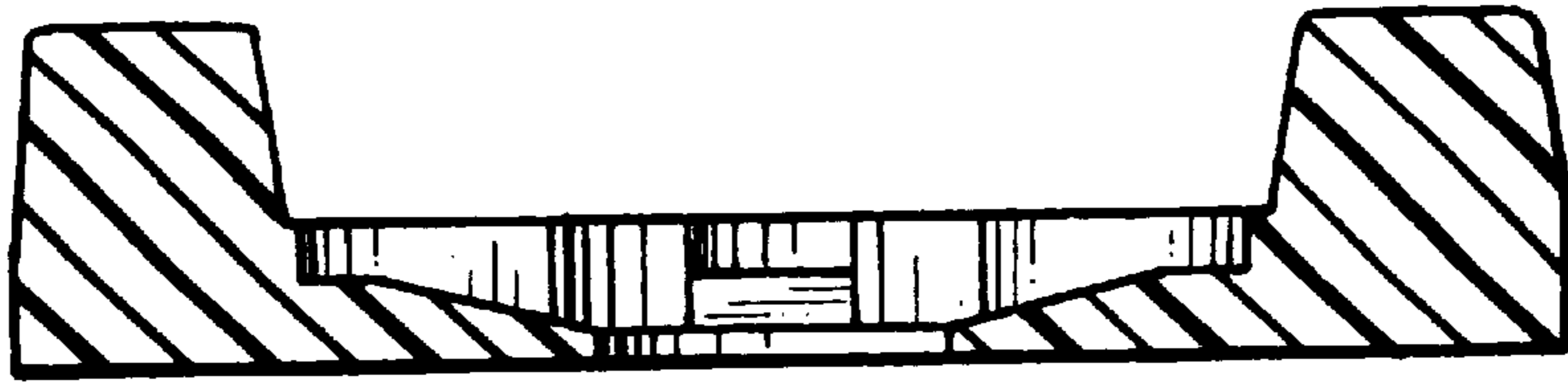


Fig. 5

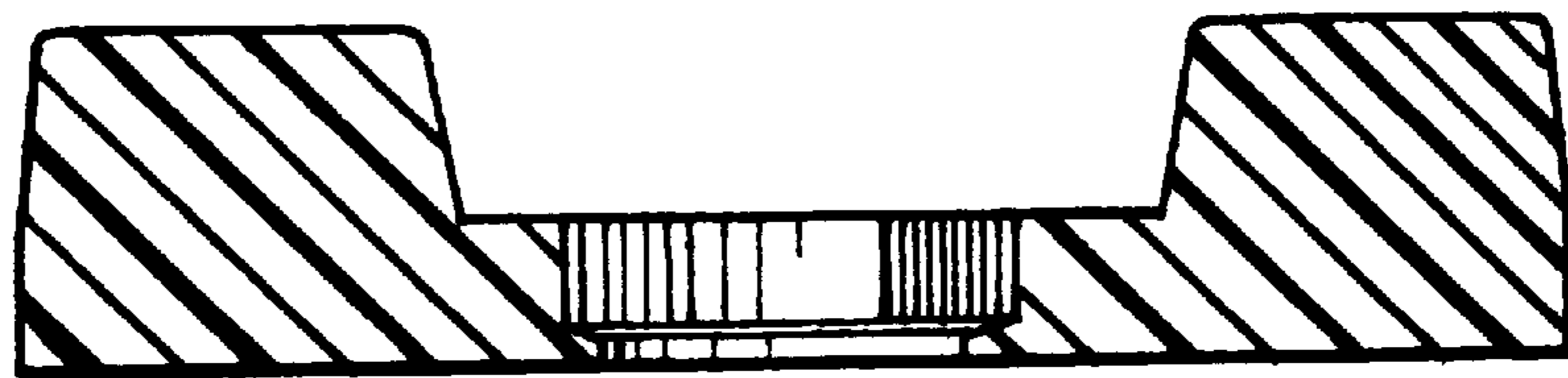


Fig. 6

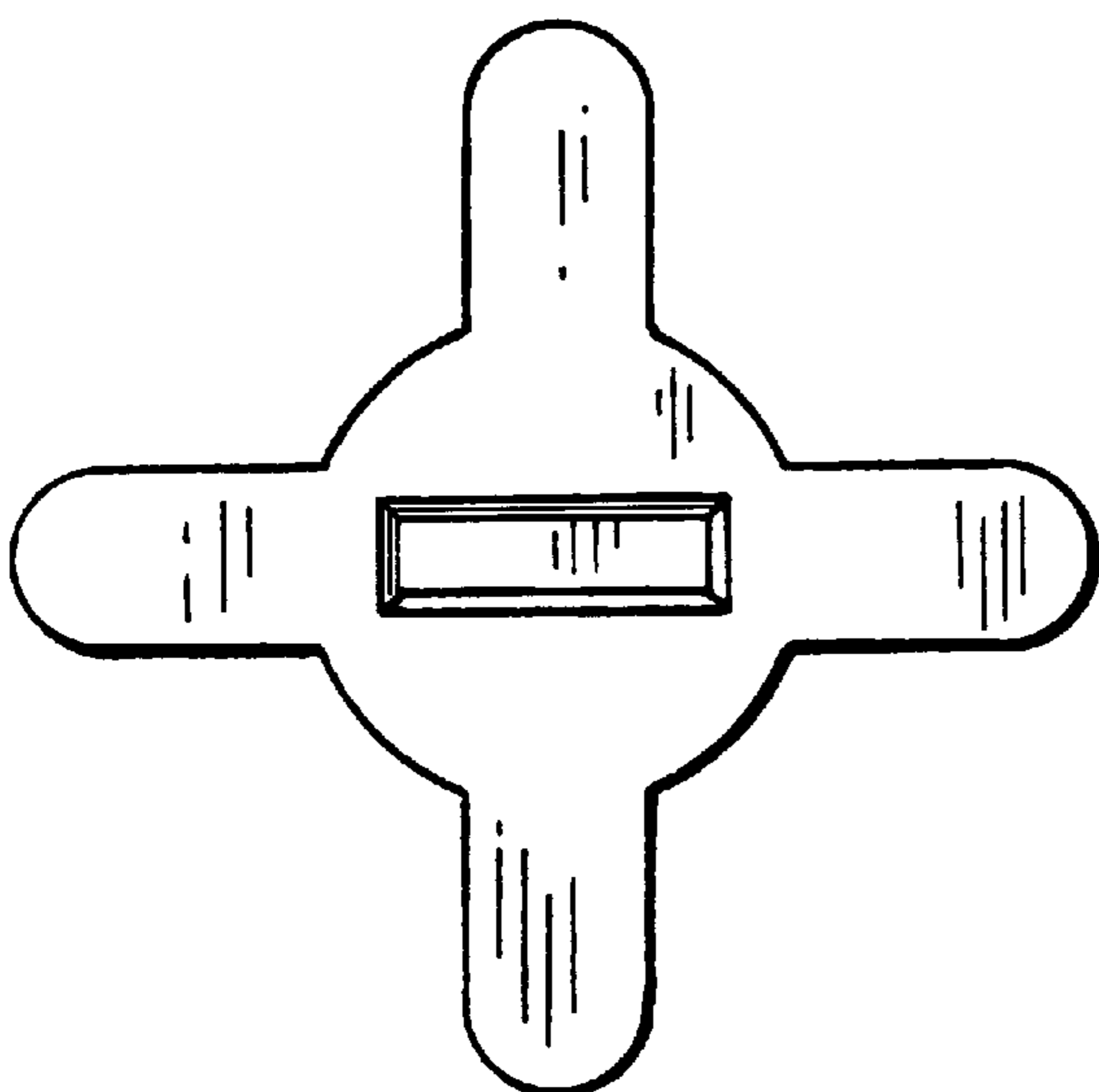


Fig. 7

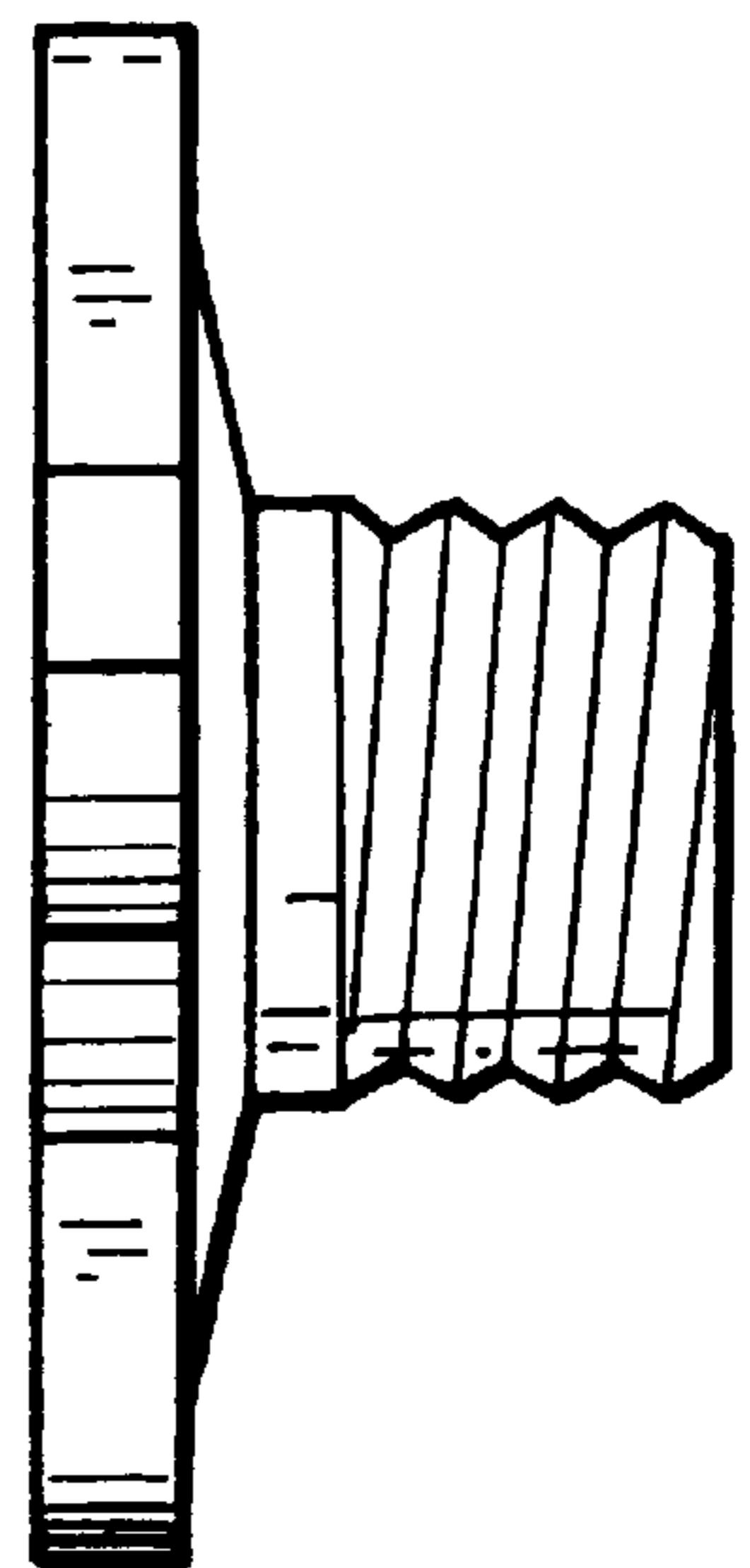


Fig. 8