



US00D441171S

(12) **United States Design Patent**
Vergakis

(10) **Patent No.:** **US D441,171 S**

(45) **Date of Patent:** **** Apr. 24, 2001**

(54) **RACE CAR MAILBOX**

(76) Inventor: **Manuel W. Vergakis**, 6659 E. Virginia
Beach Blvd. #32, Norfolk, VA (US)
23502

(**) Term: **14 Years**

(21) Appl. No.: **29/128,035**

(22) Filed: **Aug. 16, 2000**

(51) **LOC (7) Cl.** **99-00**

(52) **U.S. Cl.** **D99/30**

(58) **Field of Search** D99/29, 30, 31,
D99/32, 42; 232/19, 20, 27, 39; 446/446;
D14/403; D2/869; D21/549; D12/86, 90,
91, 92

(56) **References Cited**

U.S. PATENT DOCUMENTS

D. 346,266	4/1994	Tingler .	
D. 347,927	6/1994	Martin .	
D. 354,458	* 1/1995	Daikoku	D12/92
D. 371,888	7/1996	Tingler .	
D. 404,027	* 1/1999	Bush	D14/403
D. 407,536	* 4/1999	Segal	D2/869

D. 411,906	6/1999	Ely et al. .	
D. 413,422	8/1999	Colbert et al. .	
D. 415,800	* 10/1999	Norton	D21/549
D. 417,058	* 11/1999	Royal et al.	D99/30
D. 418,272	* 12/1999	Hiott	D99/30
D. 426,934	* 6/2000	Powell et al.	D99/30
D. 429,870	* 8/2000	Venditto, Jr.	D2/869

* cited by examiner

Primary Examiner—Paula A. Mortimer

(74) *Attorney, Agent, or Firm*—Richard C. Litman

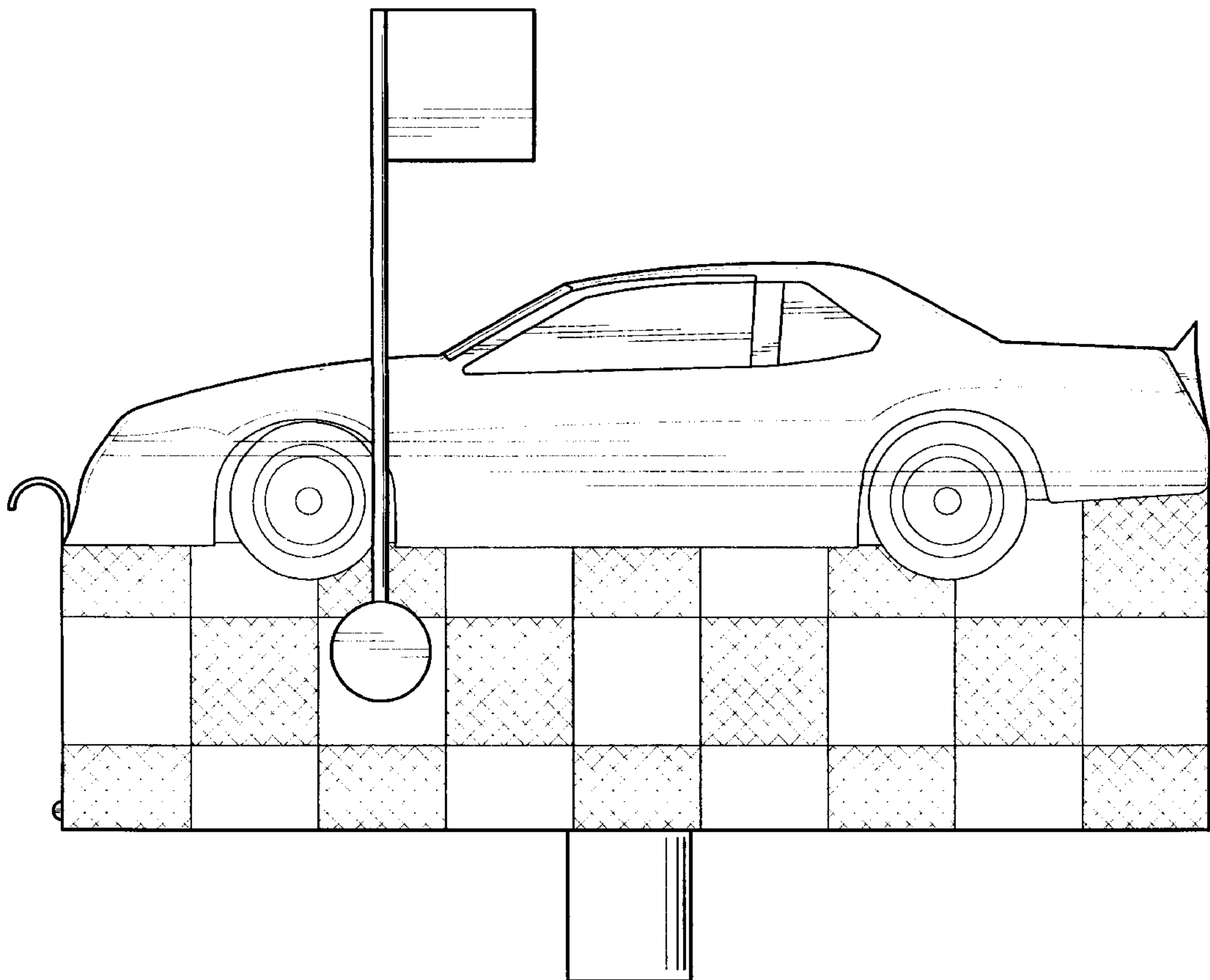
(57) **CLAIM**

The ornamental design for a race car mailbox, as shown and described.

DESCRIPTION

FIG. 1 is a front elevational view of a race car mailbox showing my new design;
FIG. 2 is a rear elevational view thereof;
FIG. 3 is a top plan view thereof;
FIG. 4 is a left side elevational view thereof;
FIG. 5 is a right side elevational view thereof; and,
FIG. 6 is a right side elevational view with the door open and the flag down thereof.

1 Claim, 6 Drawing Sheets



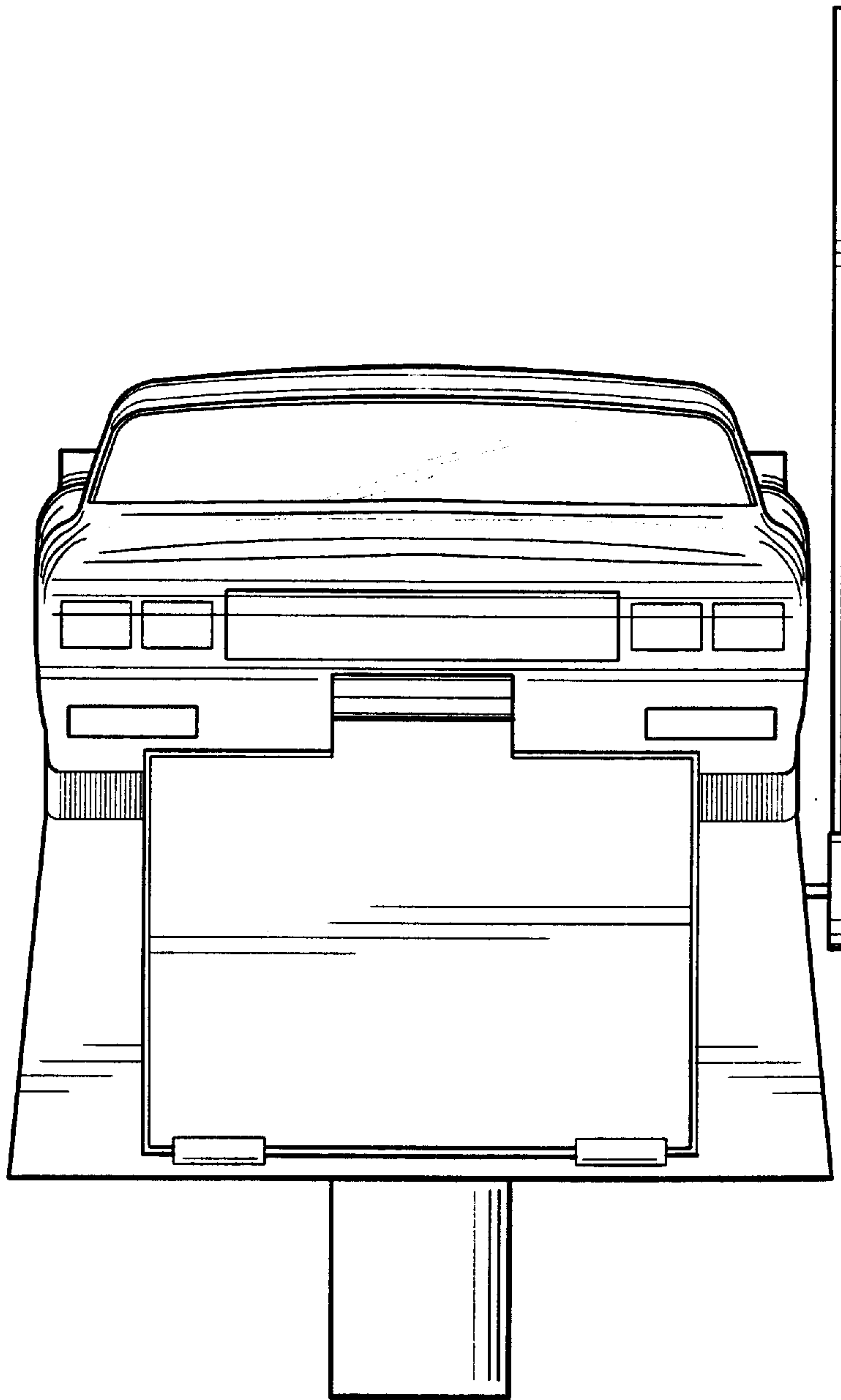


FIG. 1

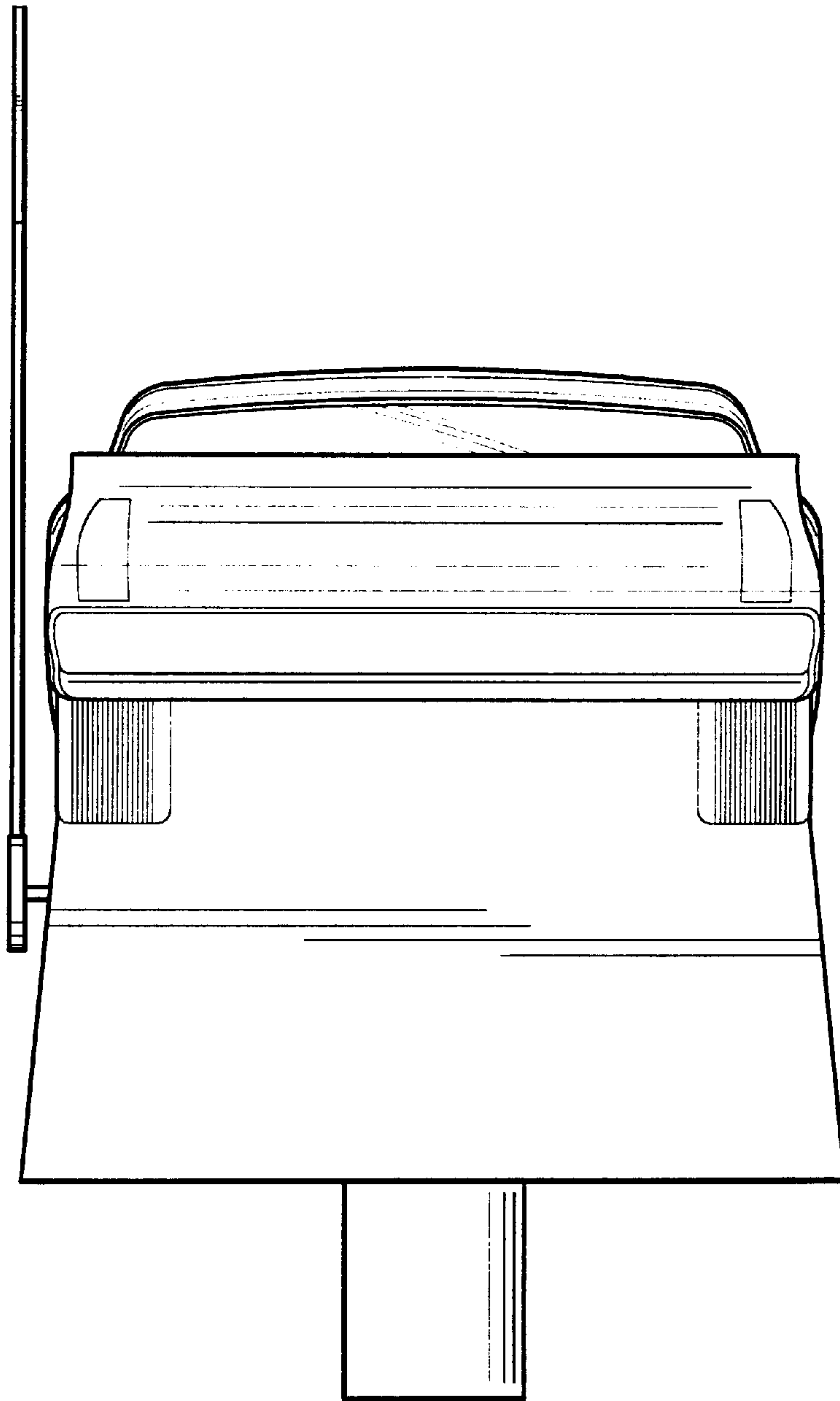


FIG. 2

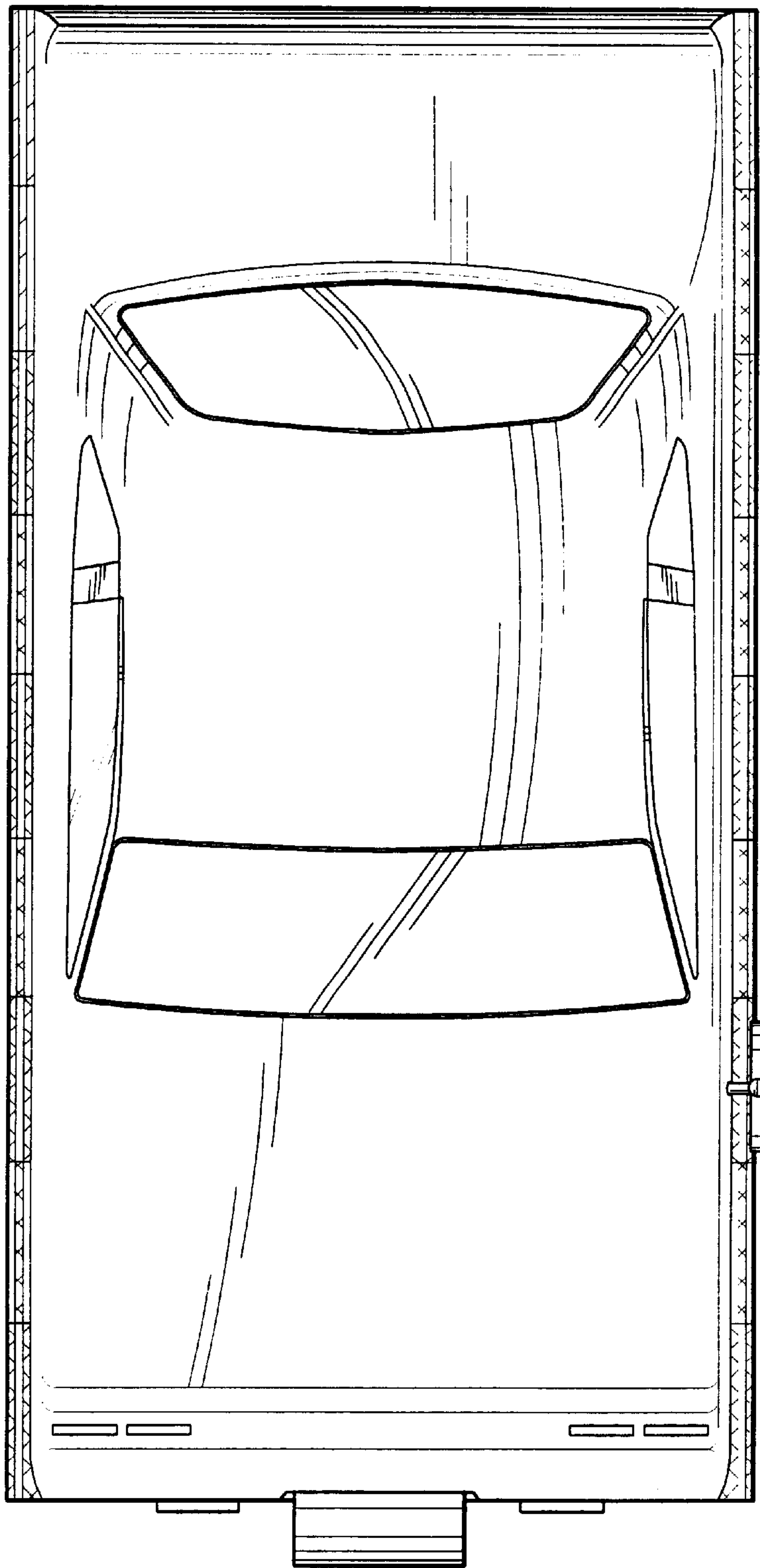


FIG. 3

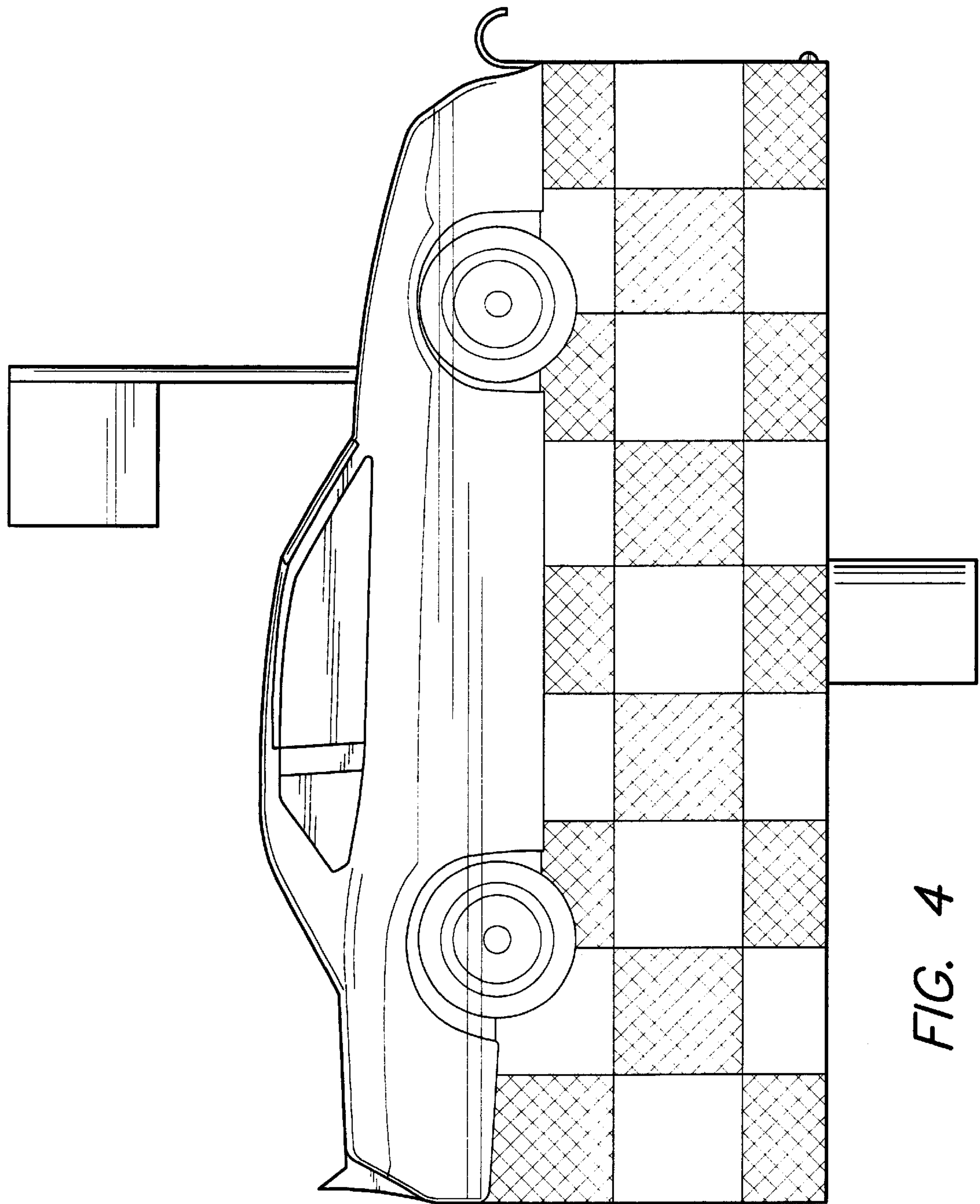


FIG. 4

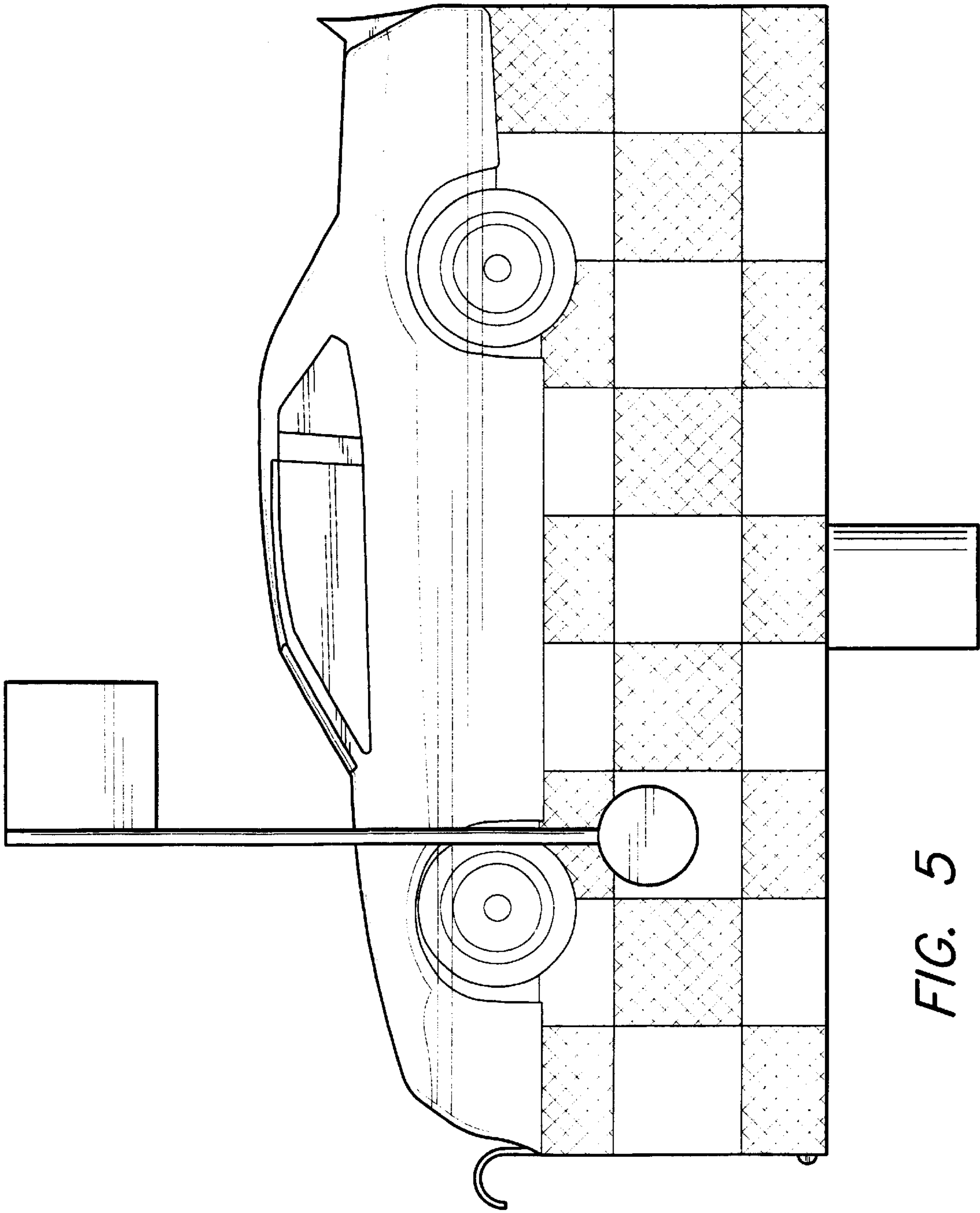


FIG. 5

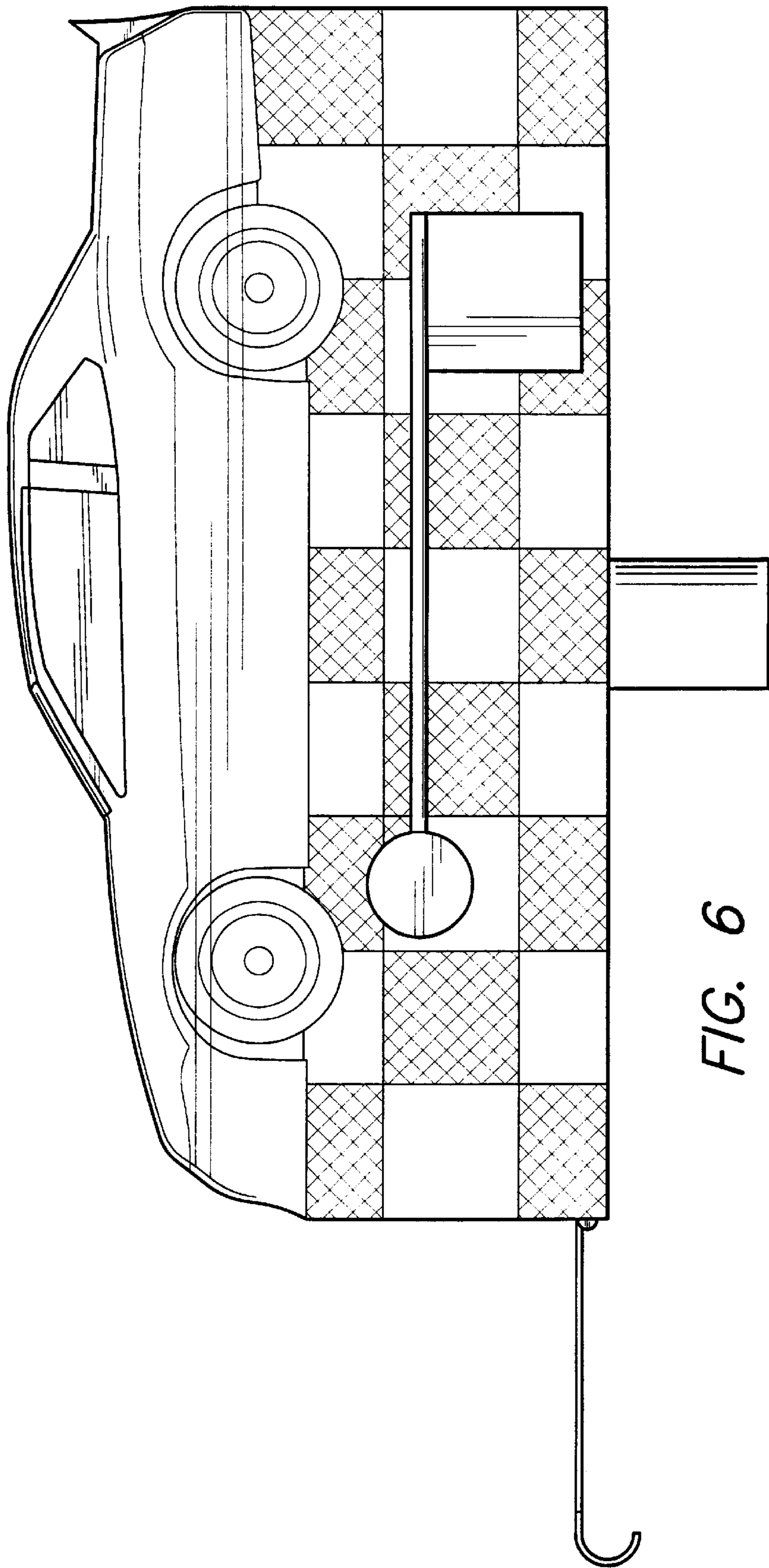


FIG. 6