



US00D441168S

(12) **United States Design Patent**
Ling

(10) **Patent No.:** **US D441,168 S**

(45) **Date of Patent:** **** Apr. 24, 2001**

(54) **PAPER COFFIN**

(76) Inventor: **Michael Ling**, 5F, No. 36, Sec. 2,
Hsing-Lung Road, Taipei City (TW)

(**) Term: **14 Years**

(21) Appl. No.: **29/128,269**

(22) Filed: **Aug. 21, 2000**

(51) **LOC (7) Cl.** **99-00**

(52) **U.S. Cl.** **D99/1**

(58) **Field of Search** D99/1, 2, 3, 4,
D99/6, 7, 8, 9; 27/1, 2, 3, 4, 5, 6, 7, 19

(56) **References Cited**

U.S. PATENT DOCUMENTS

D. 80,562	*	2/1930	Bridge	D99/1
D. 242,153	*	11/1976	Alton	D99/1
D. 276,283	*	11/1984	Boardsley	D99/7
D. 356,420	*	3/1995	Etzel et al.	D99/1
1,175,005	*	3/1916	Mills	27/19

1,976,538	*	10/1934	Bonbough	27/194 R
3,208,186	*	9/1965	Fulton et al.	D99/1 X
3,815,185	*	6/1974	Owens	27/3

* cited by examiner

Primary Examiner—Paula A. Mortimer

(57) **CLAIM**

The ornamental design for paper coffin, as shown and described.

DESCRIPTION

FIG. 1 is a perspective view of paper coffin showing my new design;

FIG. 2 is a front elevational view thereof;

FIG. 3 is a rear elevational view thereof;

FIG. 4 is a left side elevational view thereof;

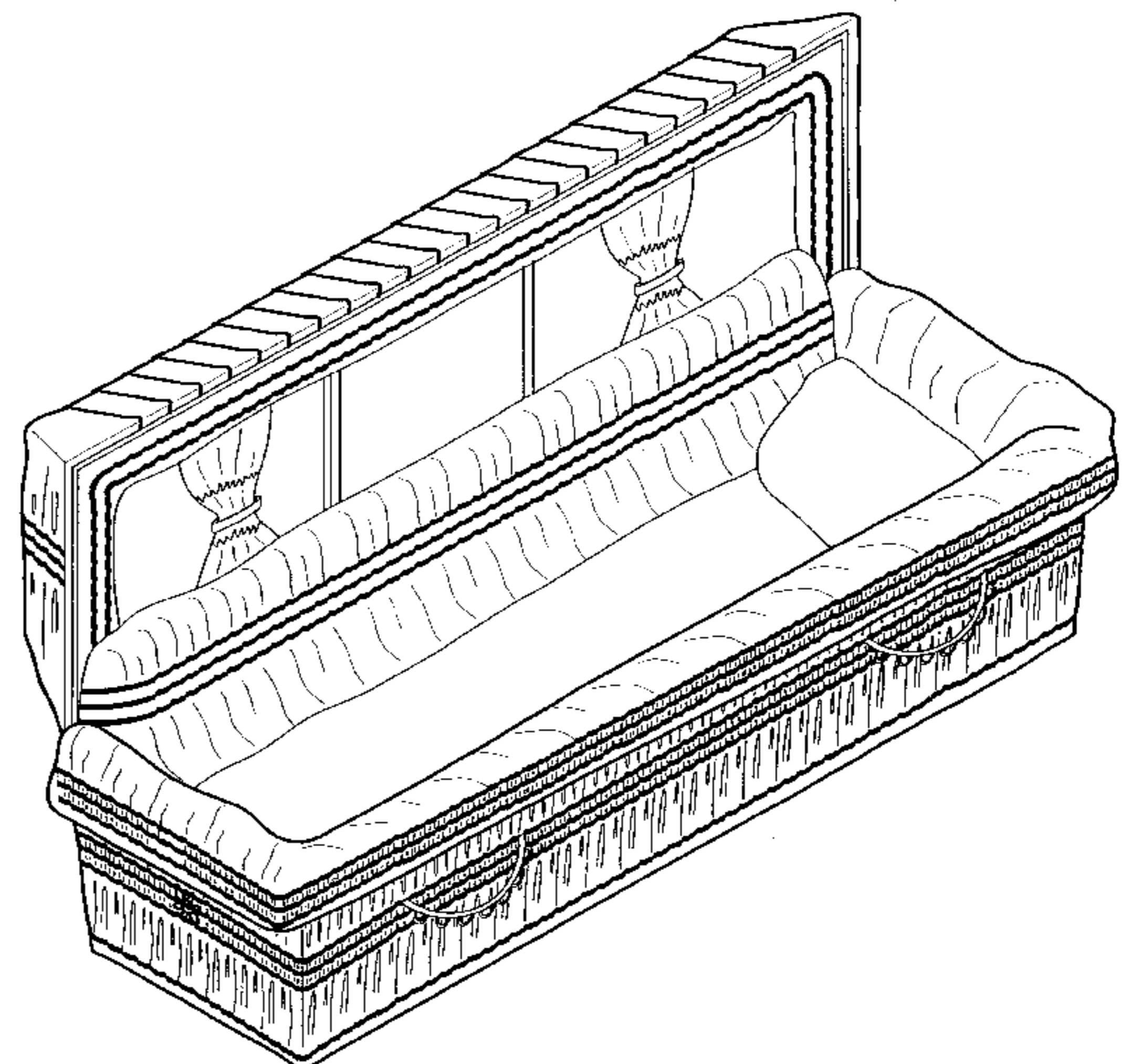
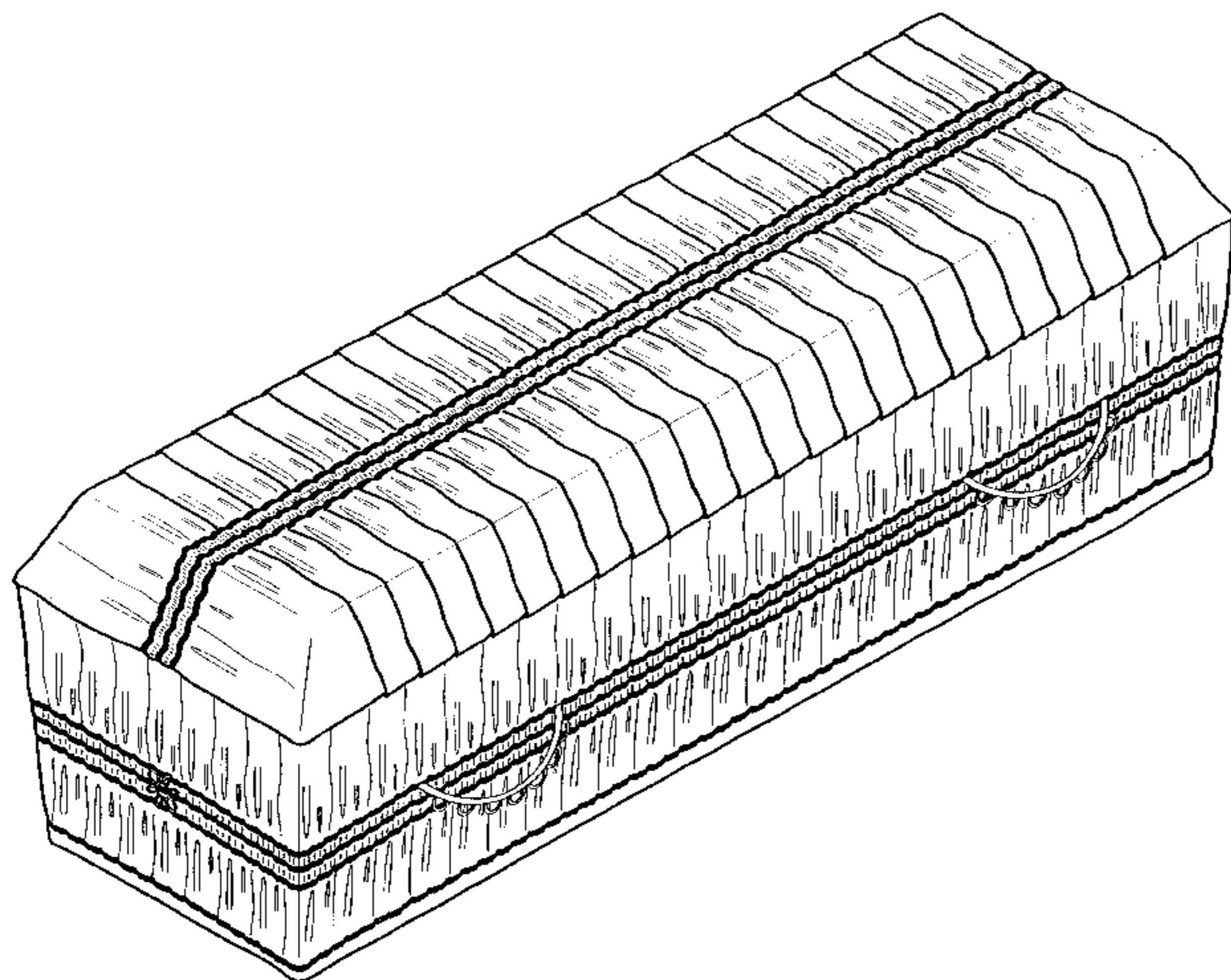
FIG. 5 is a right side elevational view thereof;

FIG. 6 is a top view thereof;

FIG. 7 is a bottom view thereof; and,

FIG. 8 is a perspective view thereof in an open position.

1 Claim, 8 Drawing Sheets



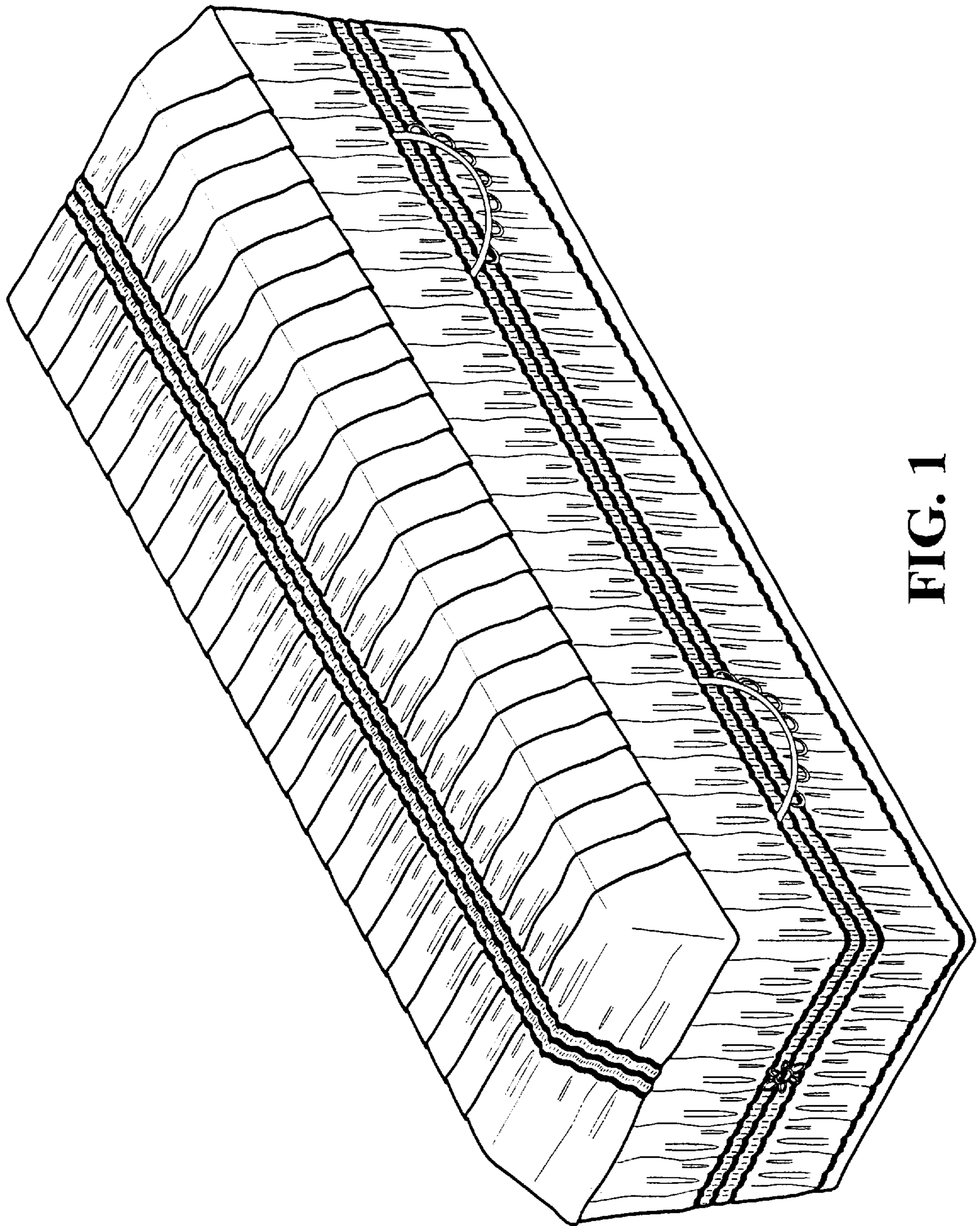


FIG. 1

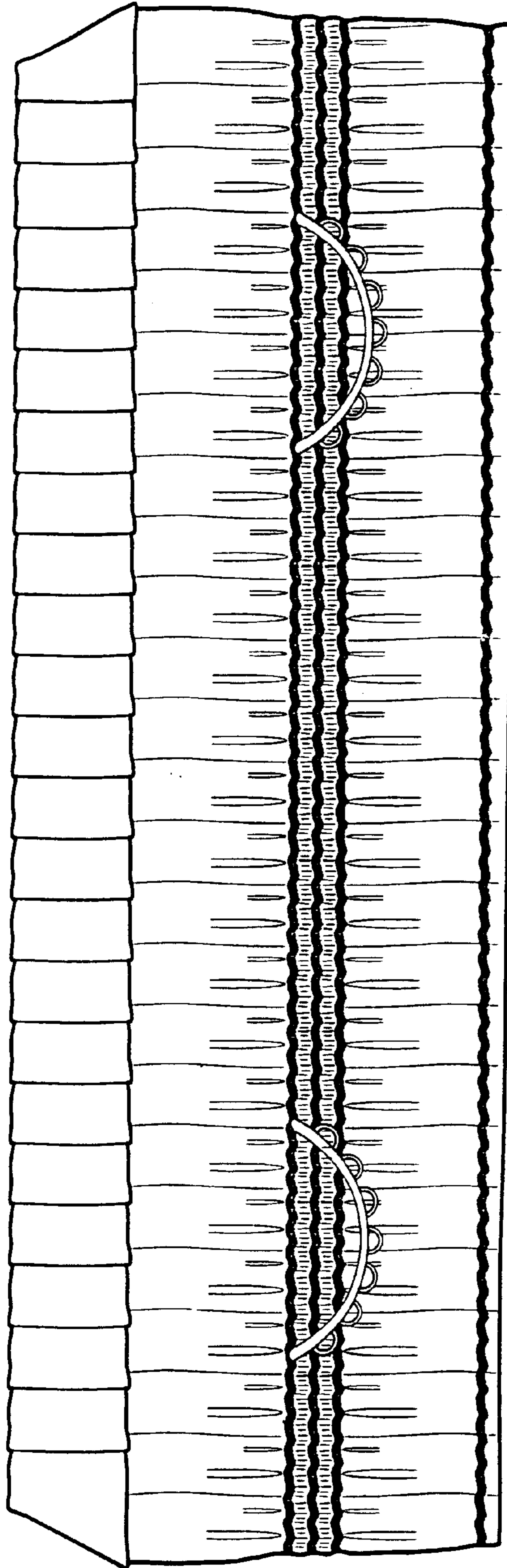


FIG. 2

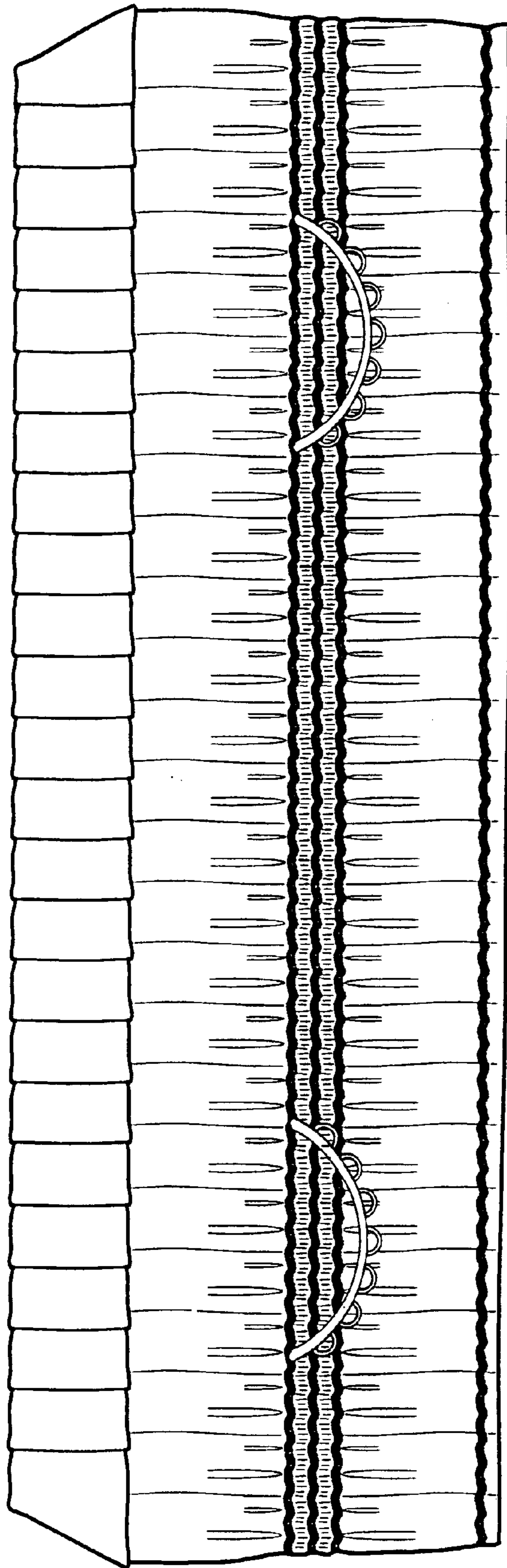


FIG. 3

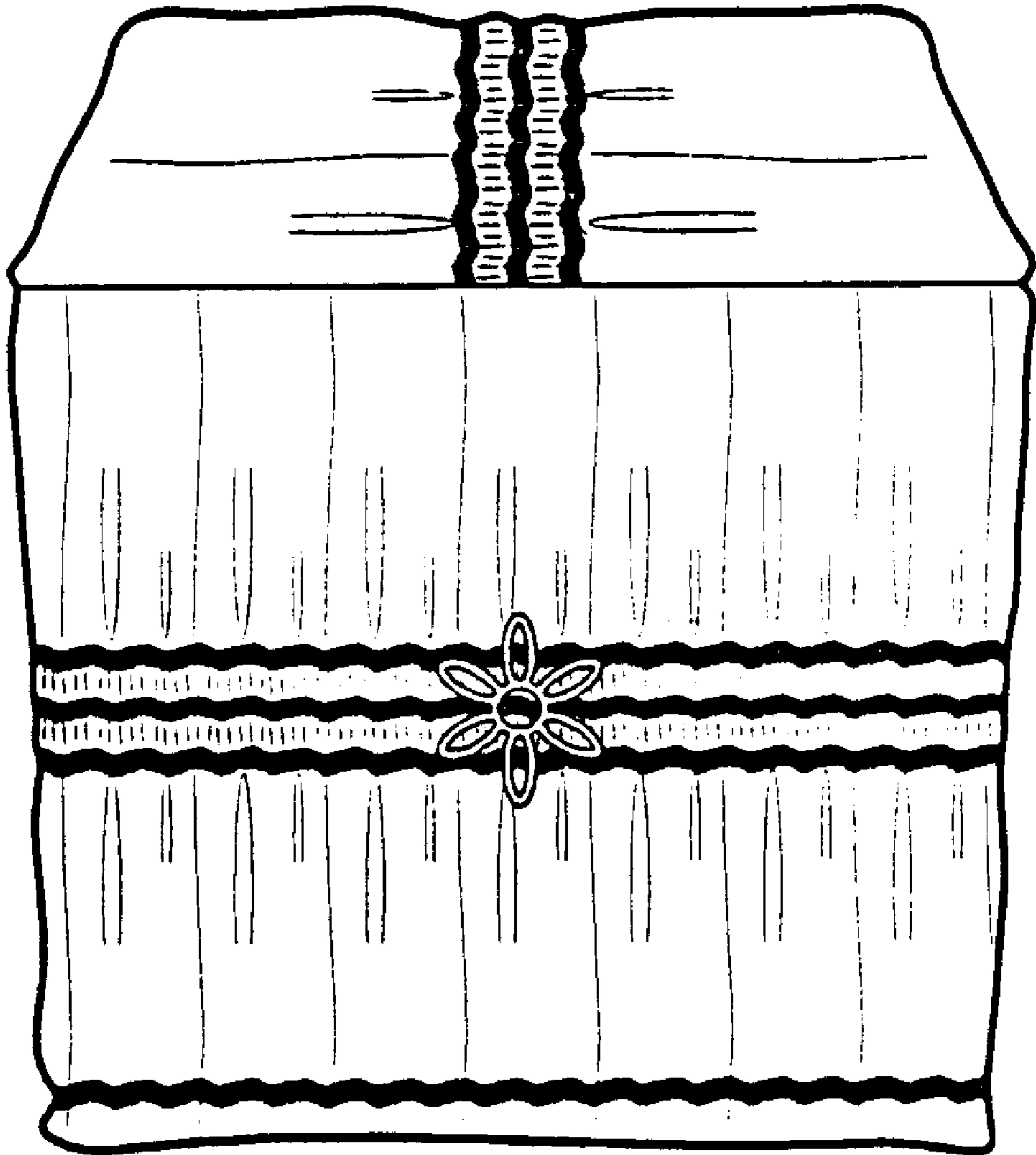


FIG. 4

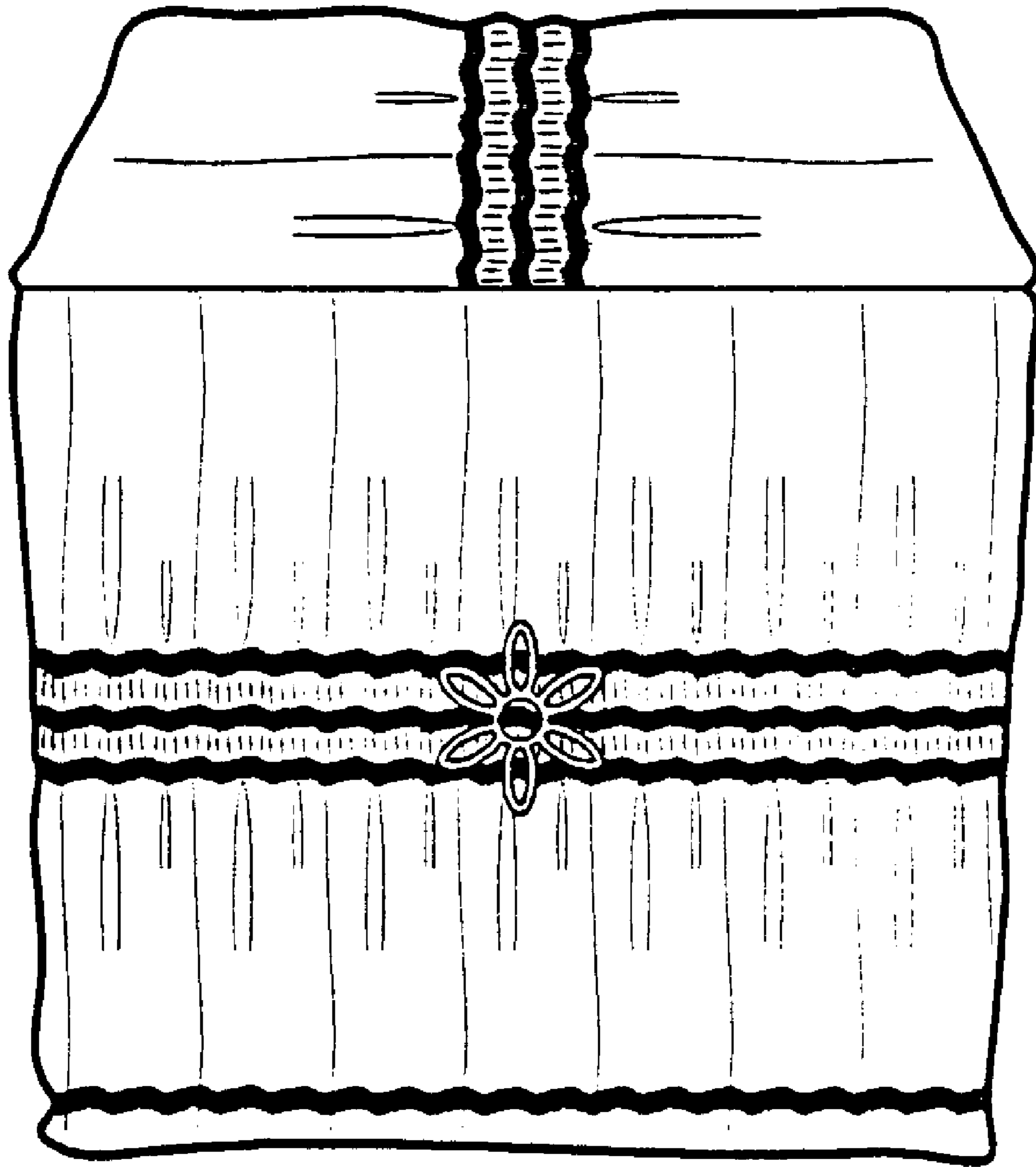


FIG. 5

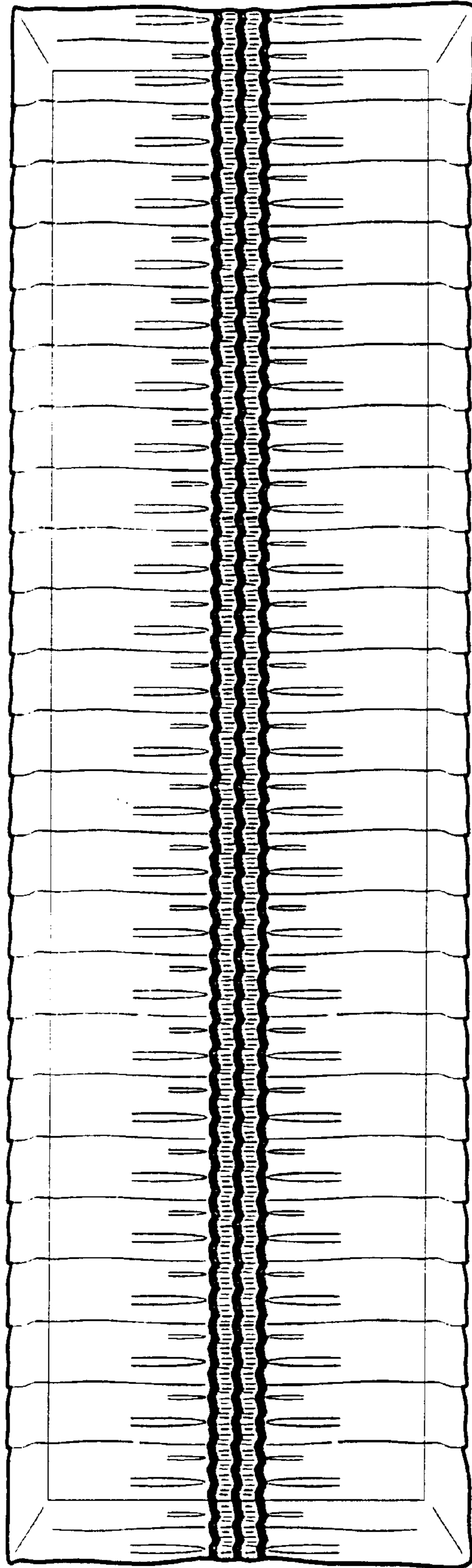


FIG. 6

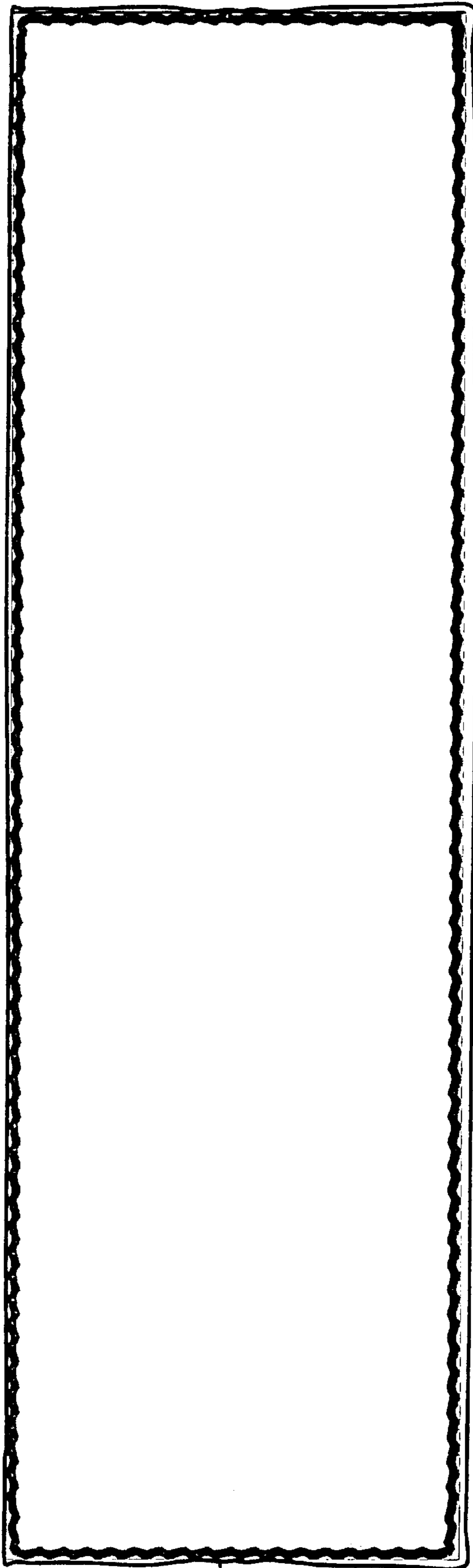


FIG. 7

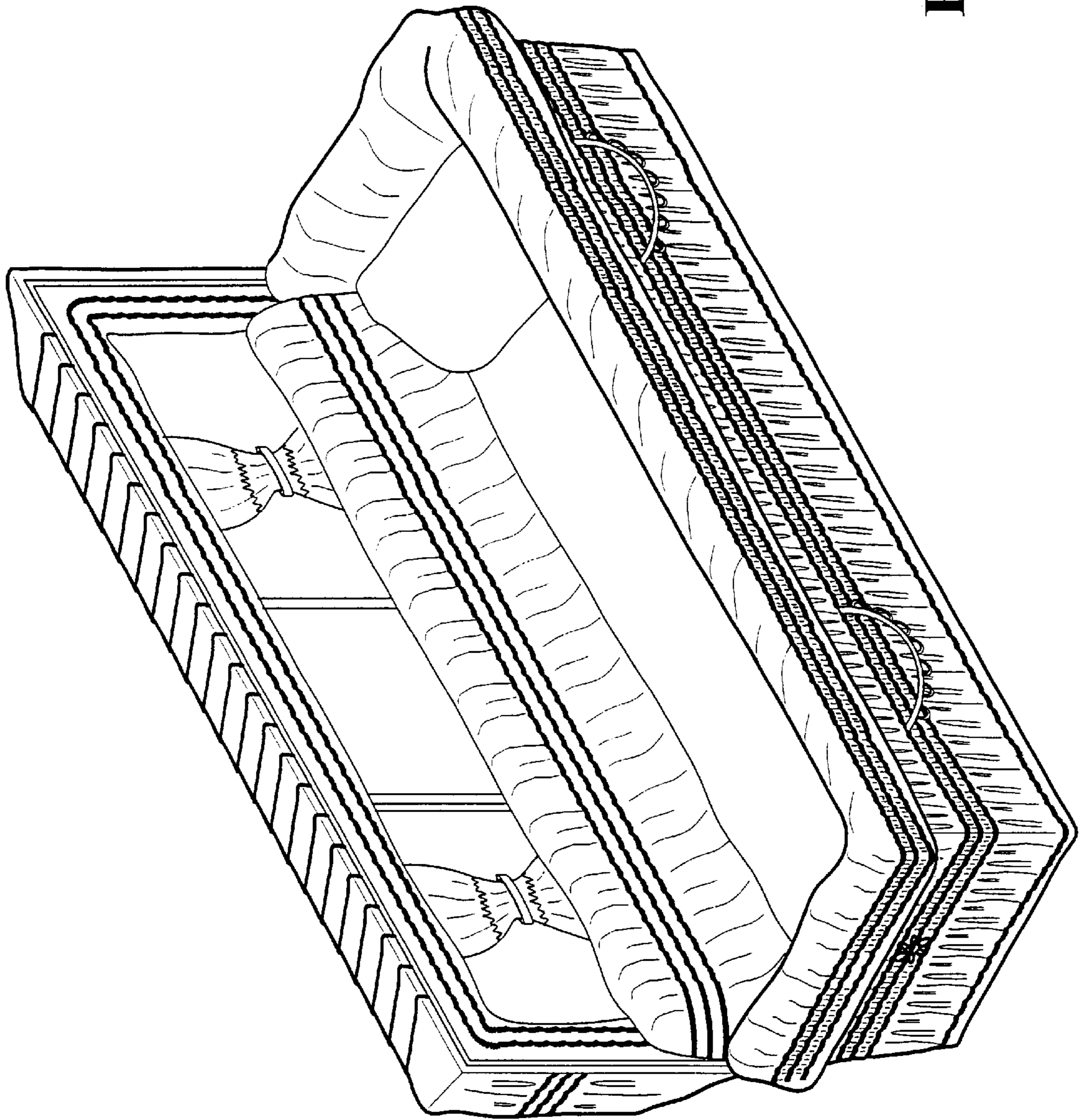


FIG. 8