



US00D441166S

(12) **United States Design Patent**
Bowman et al.

(10) **Patent No.:** **US D441,166 S**

(45) **Date of Patent:** **** Apr. 24, 2001**

(54) **PALLET FOR HOLDING INSULATION
INSTALLMENT EQUIPMENT**

3,444,829 * 5/1969 Mork 108/51.11
3,620,388 * 11/1971 Mansson 108/56.1
5,388,532 * 2/1995 Wakano 108/55.1
5,810,186 * 9/1998 Lam 108/55.1

(75) Inventors: **Kenneth R. Bowman**, Reidsville, NC
(US); **Peter V. Kane**, Kansas City, MO
(US); **David J. Lichius, Sr.**, Overland
Park, KS (US)

* cited by examiner

Primary Examiner—Cynthia E Ramirez

(74) *Attorney, Agent, or Firm*—Lathrop & Gage L.C.

(73) Assignee: **Supreme Insulation, Inc.**, Kansas City,
MO (US)

(57) **CLAIM**

(**) Term: **14 Years**

The ornamental design for a pallet for holding insulation
installment equipment, as shown and described.

(21) Appl. No.: **29/117,076**

DESCRIPTION

(22) Filed: **Jan. 14, 2000**

(51) **LOC (7) Cl.** **09-08**

(52) **U.S. Cl.** **D34/38**

(58) **Field of Search** D34/28, 38; 248/678,
248/346.01; 108/51.11, 901, 53.3, 54.1,
55.3, 56.1, 571, 55.1; 211/186

FIG. 1 is a front perspective view of a pallet for holding
insulation installment equipment;

FIG. 2 is a front elevational view of the pallet;

FIG. 3 is a back elevational view of the pallet;

FIG. 4 is a left side elevational view of the pallet;

FIG. 5 is a right side elevational view of the pallet;

FIG. 6 is a top plan view of the pallet;

FIG. 7 is a bottom plan view of the pallet;

FIG. 8 is a front perspective view of an alternative embodi-
ment of the pallet of the present invention;

FIG. 9 is a left side elevational view of the alternative
embodiment of the pallet of the present invention; and,

FIG. 10 is a right side elevational view of the alternative
embodiment of the pallet of the present invention.

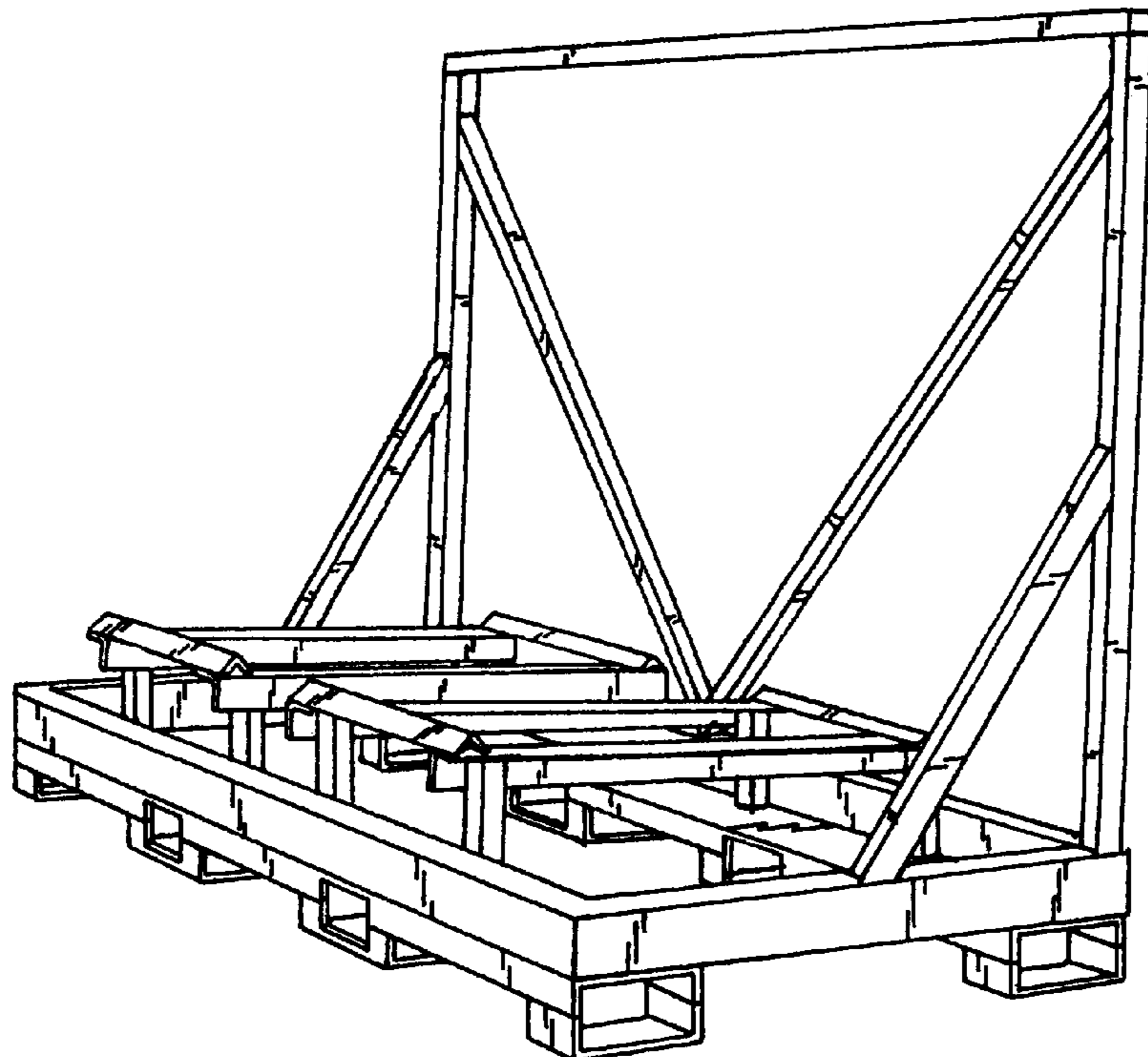
The broken lines of FIGS. 8, 9, and 10 depict portions of the
pallet, but do not form any part of the claimed design.

(56) **References Cited**

U.S. PATENT DOCUMENTS

D. 376,889	*	12/1996	Pilla	D34/38
2,523,271	*	9/1950	Bartel	108/51.11
2,632,567	*	3/1953	Richtmyer	108/53.3
2,855,260	*	10/1958	Reiss et al.	211/186
2,877,602	*	3/1959	Larsen	248/678
3,177,823	*	4/1965	Entel	108/53.3
3,193,093	*	7/1965	Hansen	108/53.3
3,401,651	*	9/1968	Carlstrom	108/53.3
3,405,665	*	10/1968	Slonim	108/51.11

1 Claim, 4 Drawing Sheets



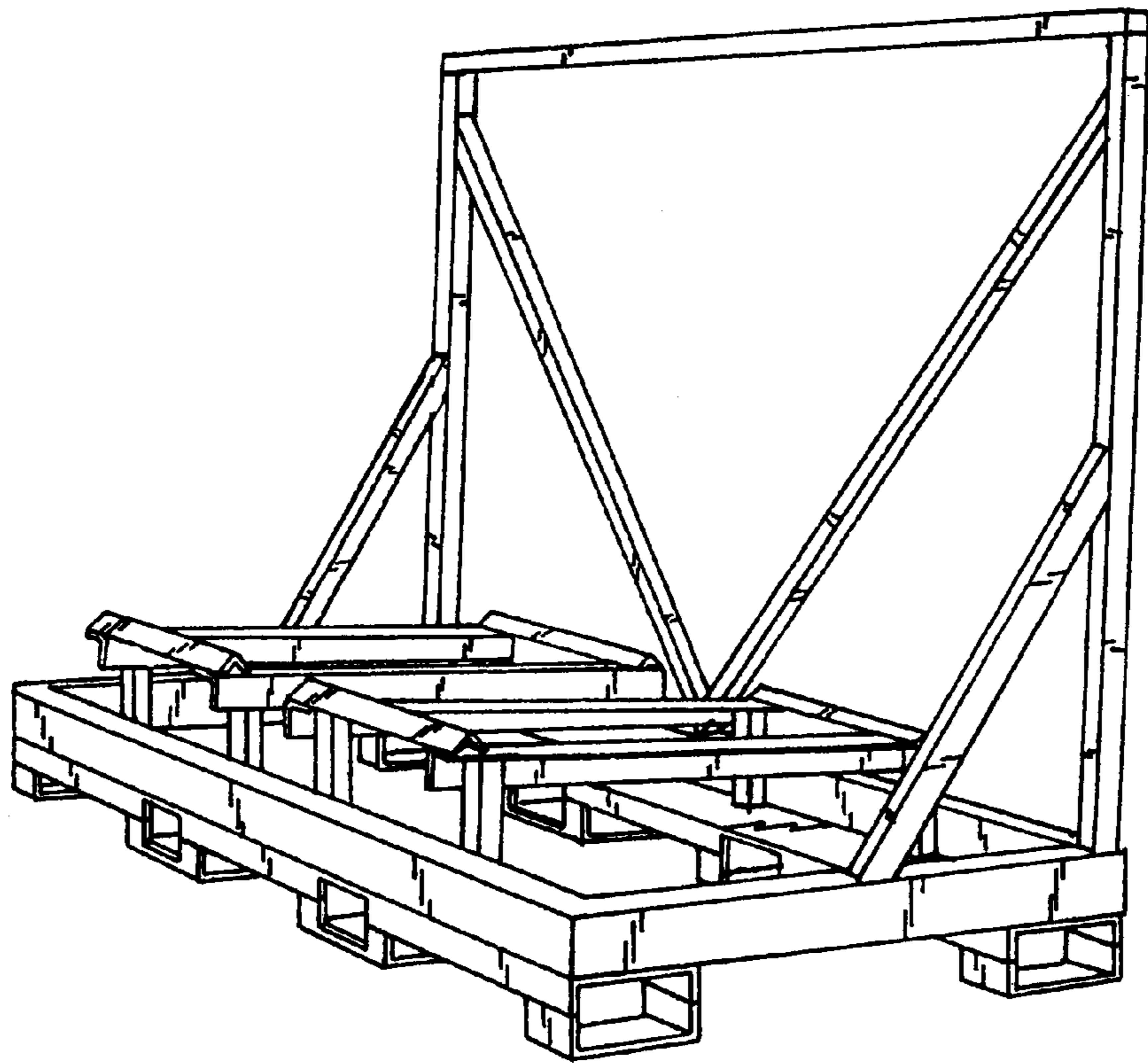


Fig. 1

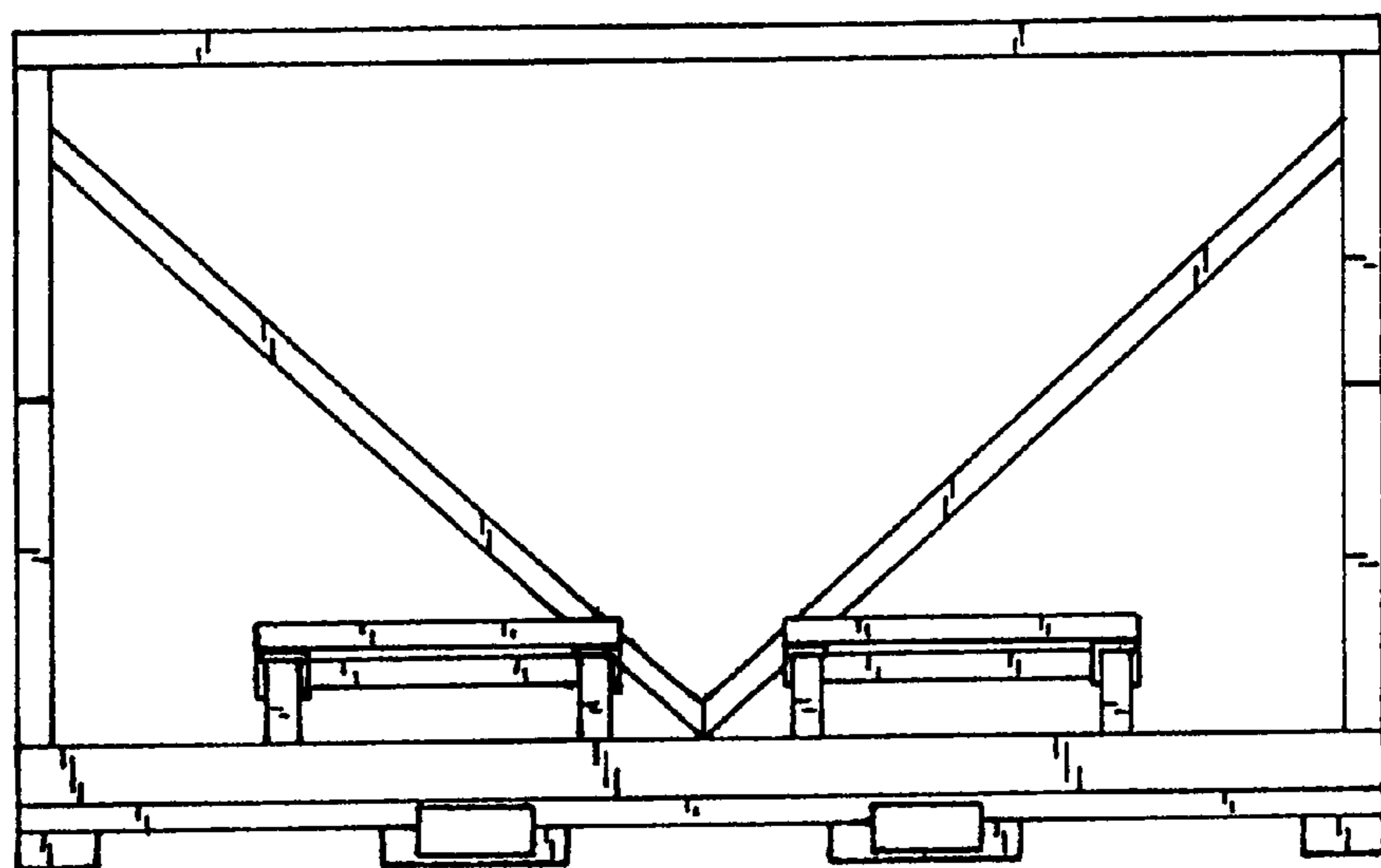


Fig. 2

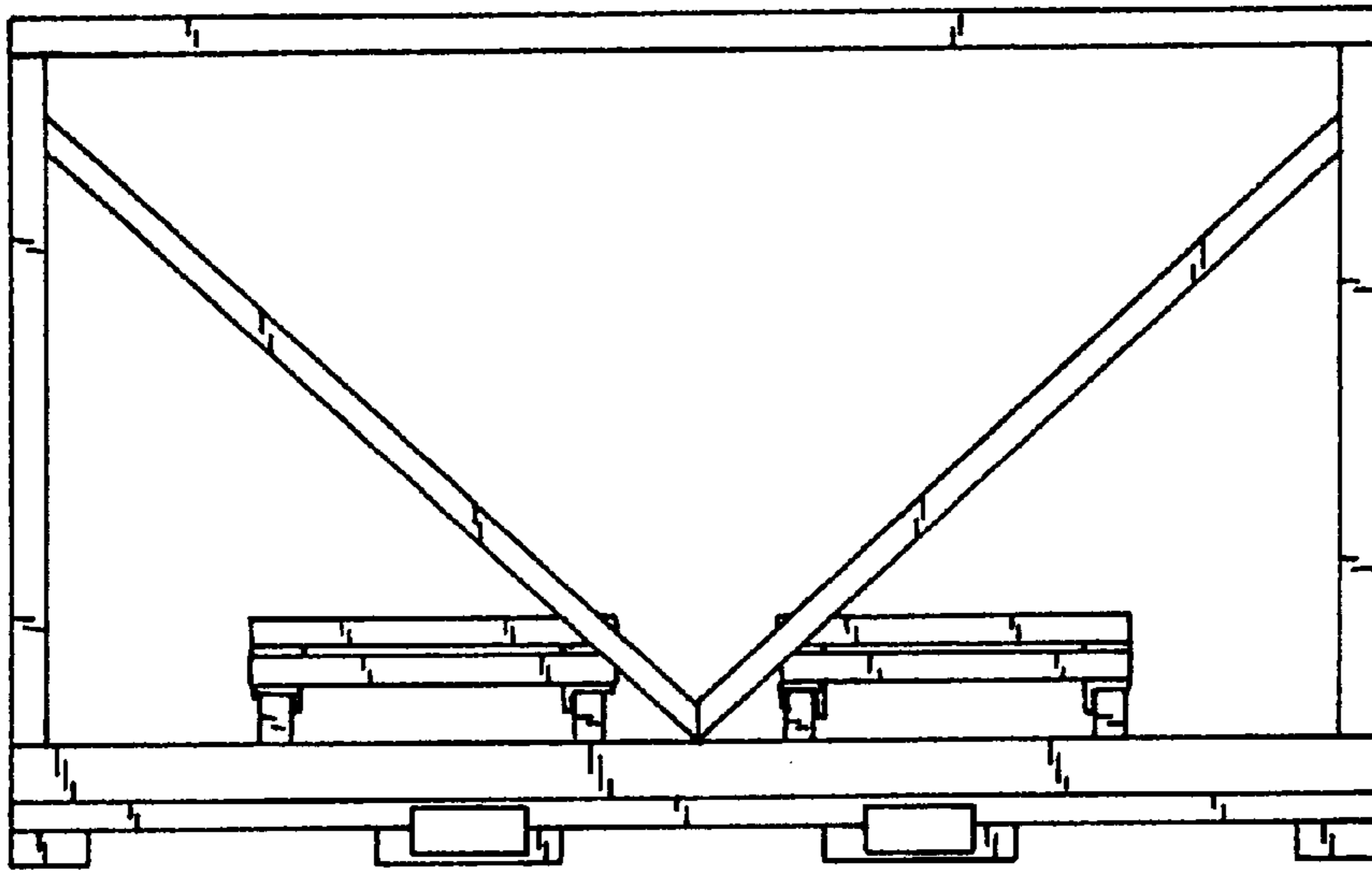


Fig. 3

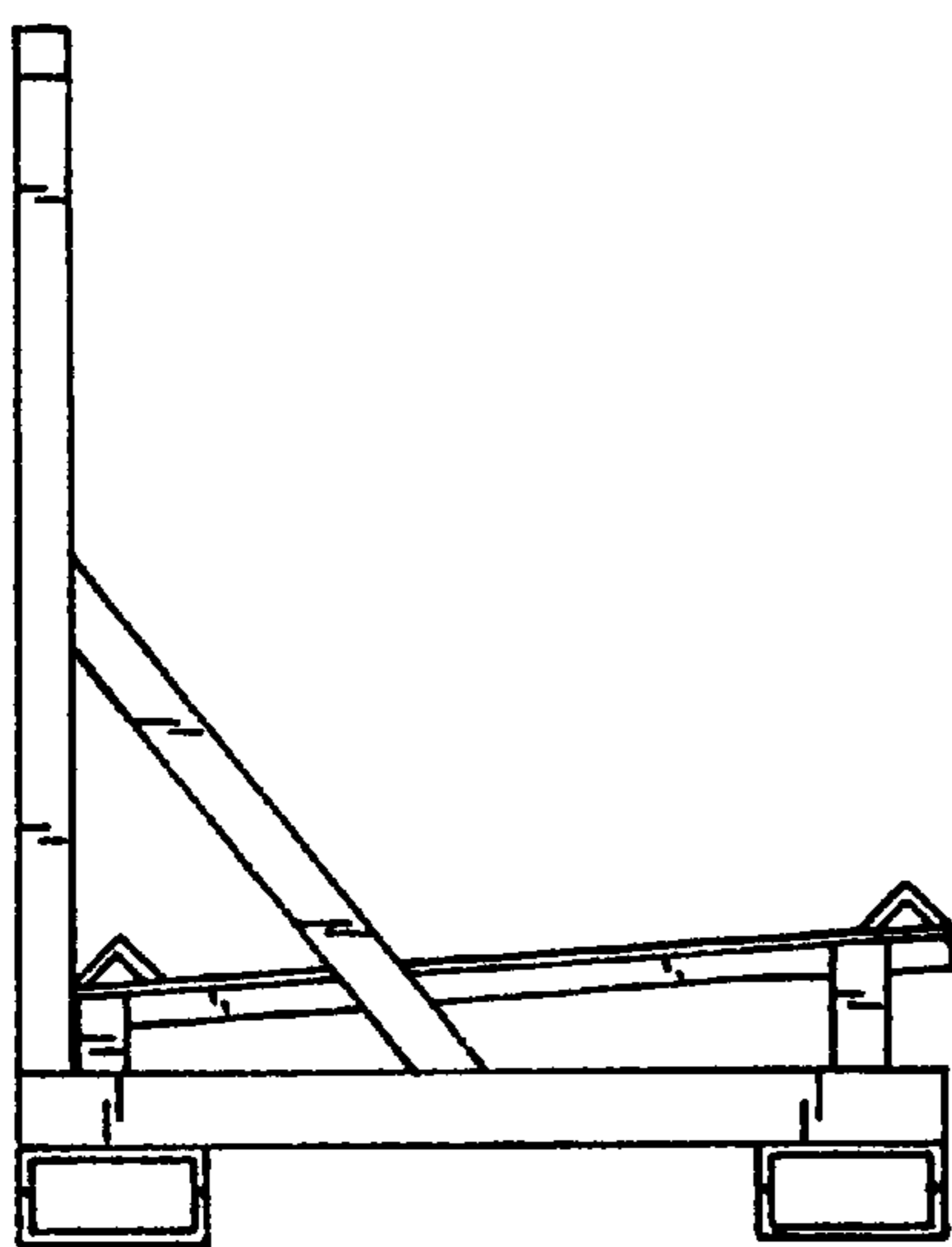


Fig. 4

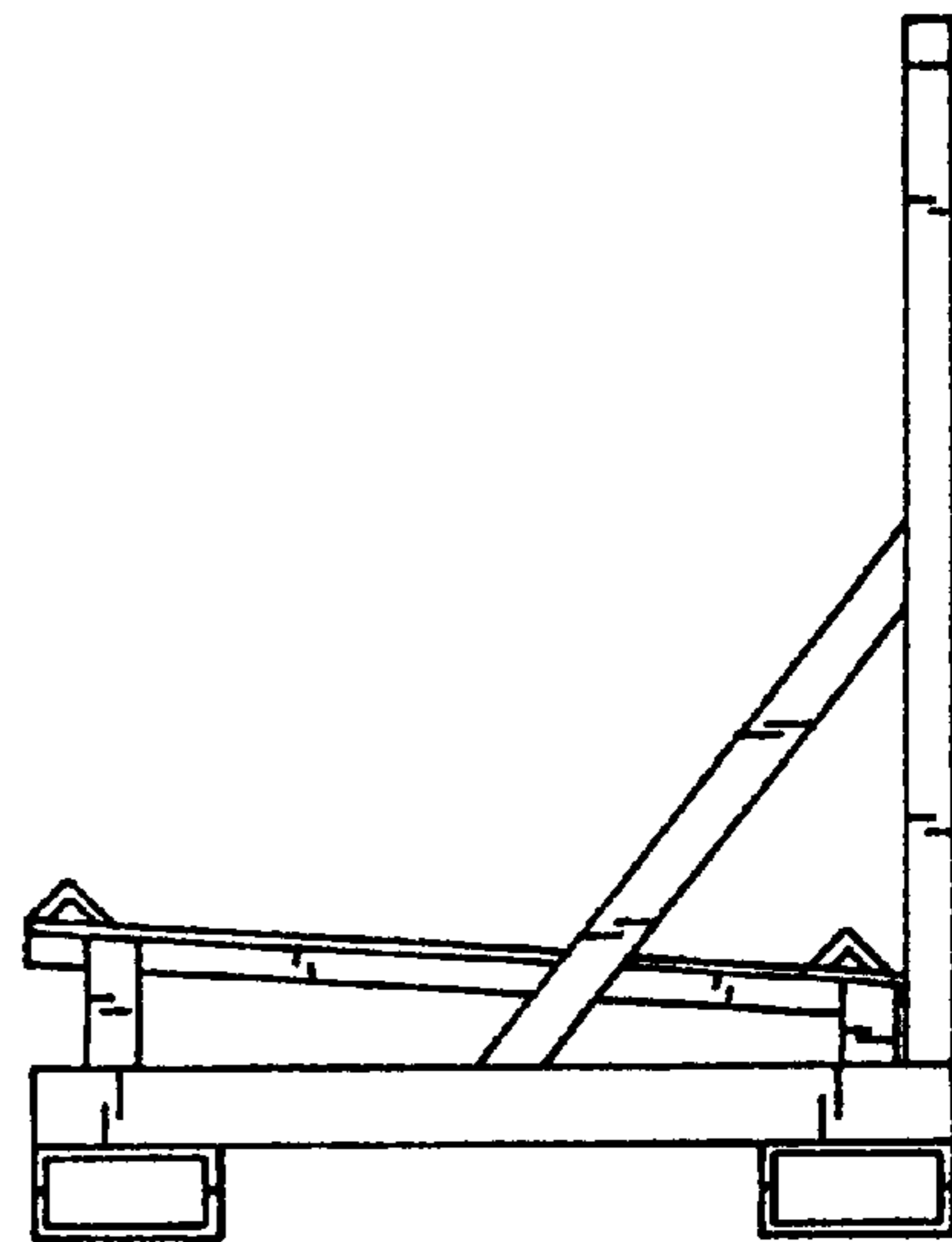


Fig. 5

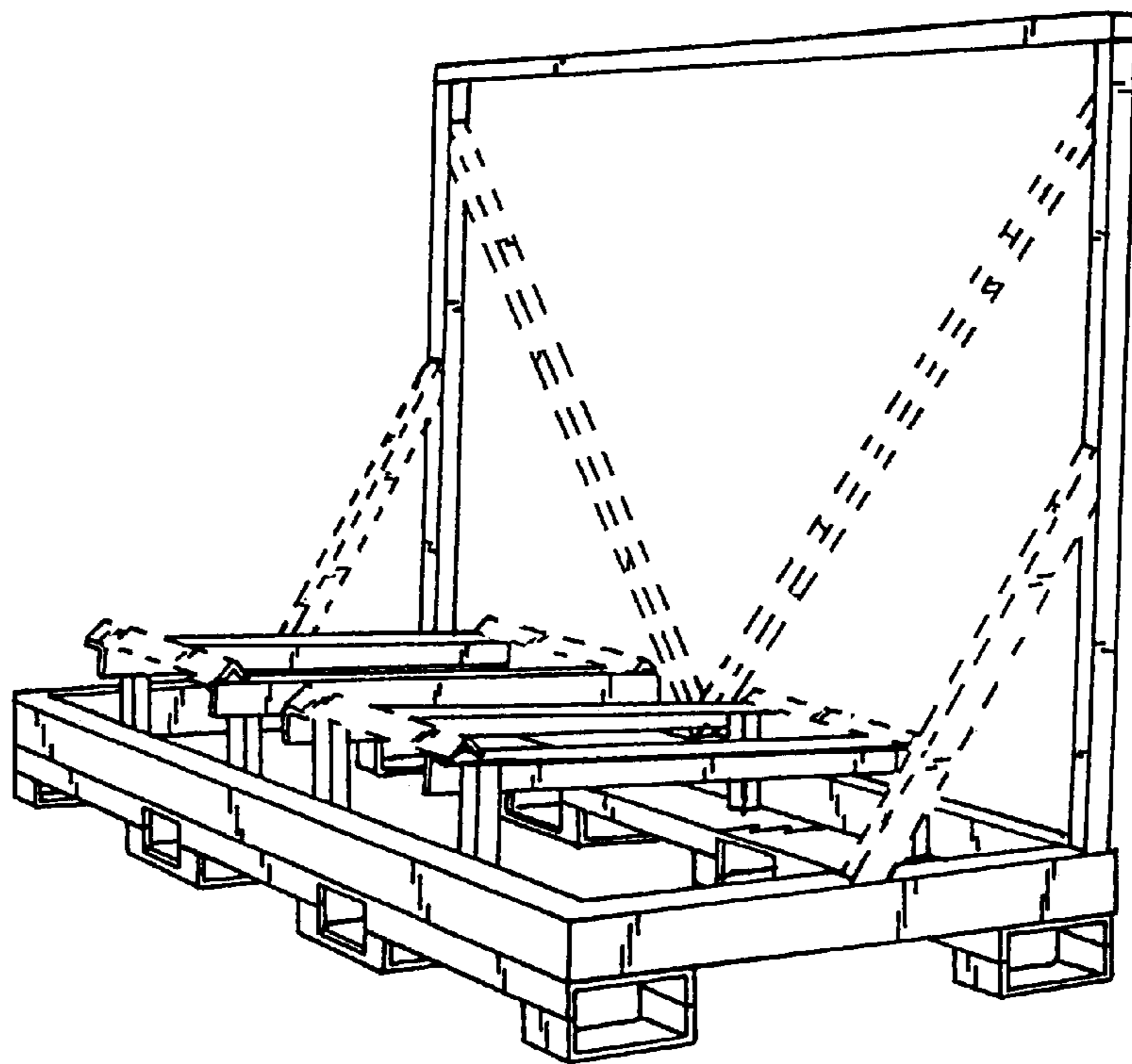


Fig. 8

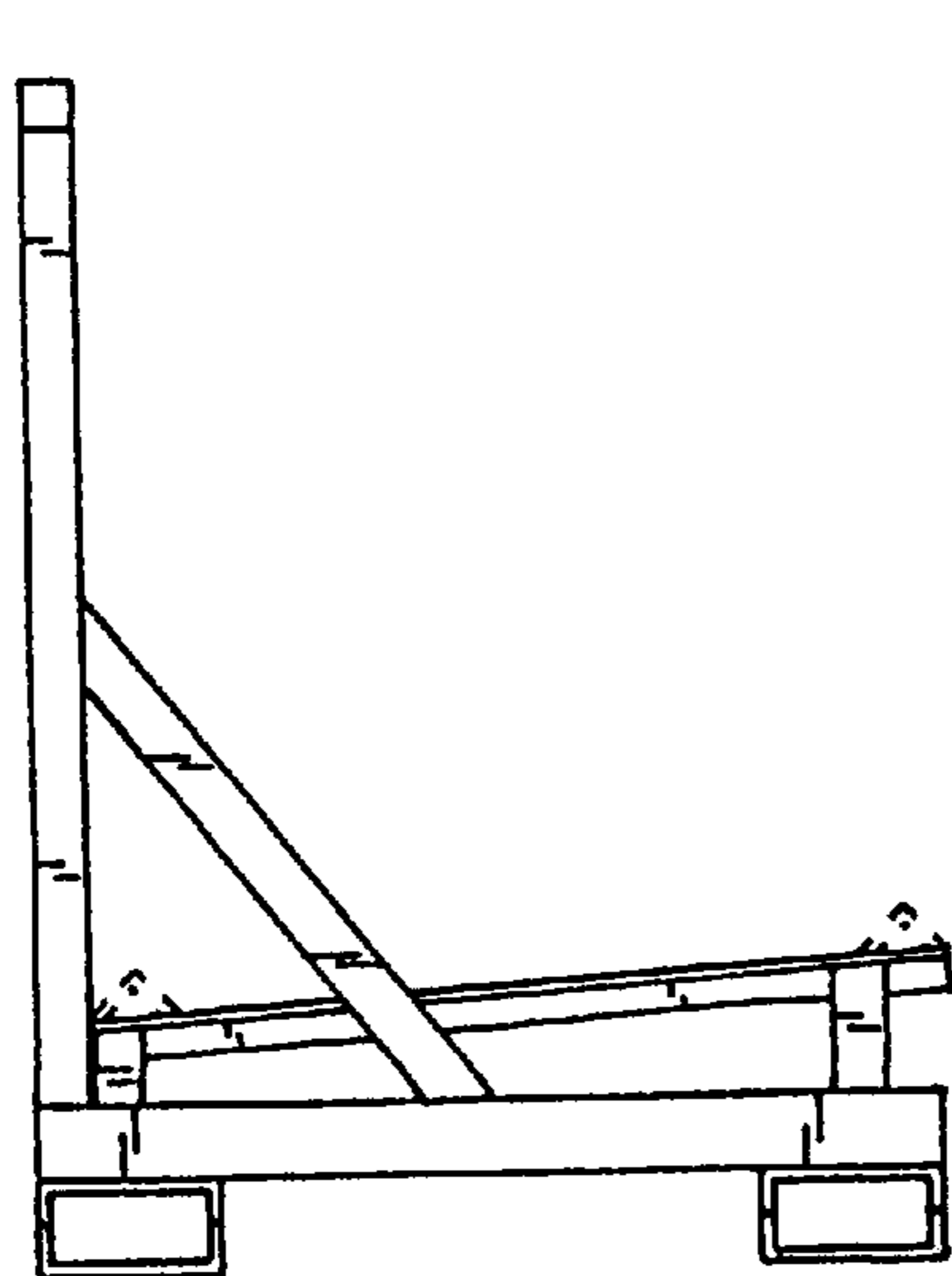


Fig. 9

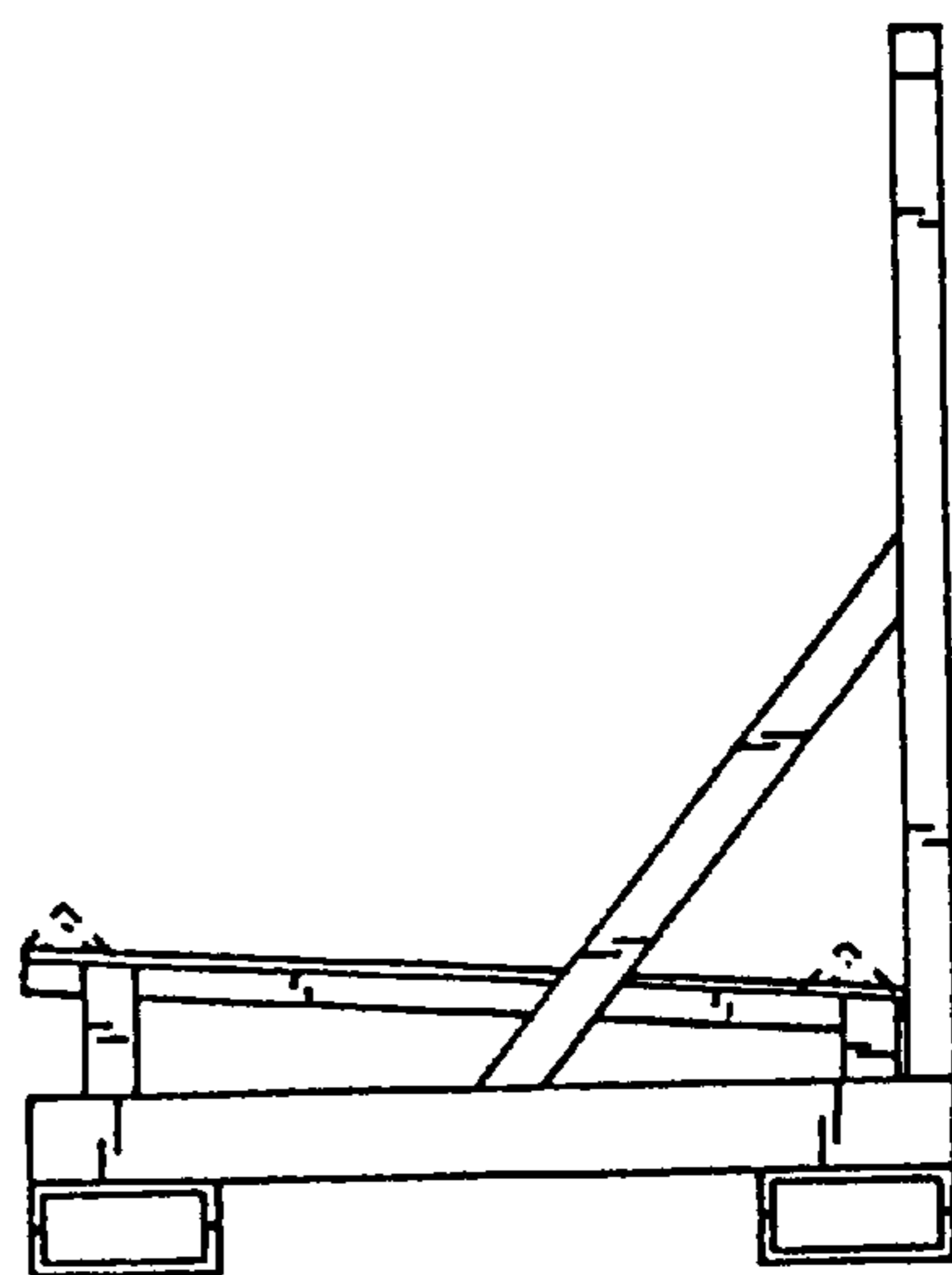


Fig. 10