



US00D441165S

(12) **United States Design Patent**
Savitski

(10) **Patent No.:** **US D441,165 S**

(45) **Date of Patent:** **** Apr. 24, 2001**

(54) **WINCH ADAPTER PLATFORM**

6,126,189 * 10/2000 Venis 280/490.1

(76) Inventor: **Richard H. Savitski**, 14525 88th St.,
NE., Elk River, MN (US) 55330

* cited by examiner

(**) Term: **14 Years**

Primary Examiner—Cynthia E Ramirez
(74) *Attorney, Agent, or Firm*—Gerald E. Helget; Rider,
Bennett, Egan & Arundel

(21) Appl. No.: **29/125,530**

(57) **CLAIM**

(22) Filed: **Jun. 26, 2000**

The ornamental design for a winch adapter platform, as shown and described.

(51) **LOC (7) Cl.** **12-05**

(52) **U.S. Cl.** **D34/35; D34/33**

(58) **Field of Search** D34/28, 33, 35;
254/382, 374, 356, 380; 280/490.1; 294/82.11;
D12/162

DESCRIPTION

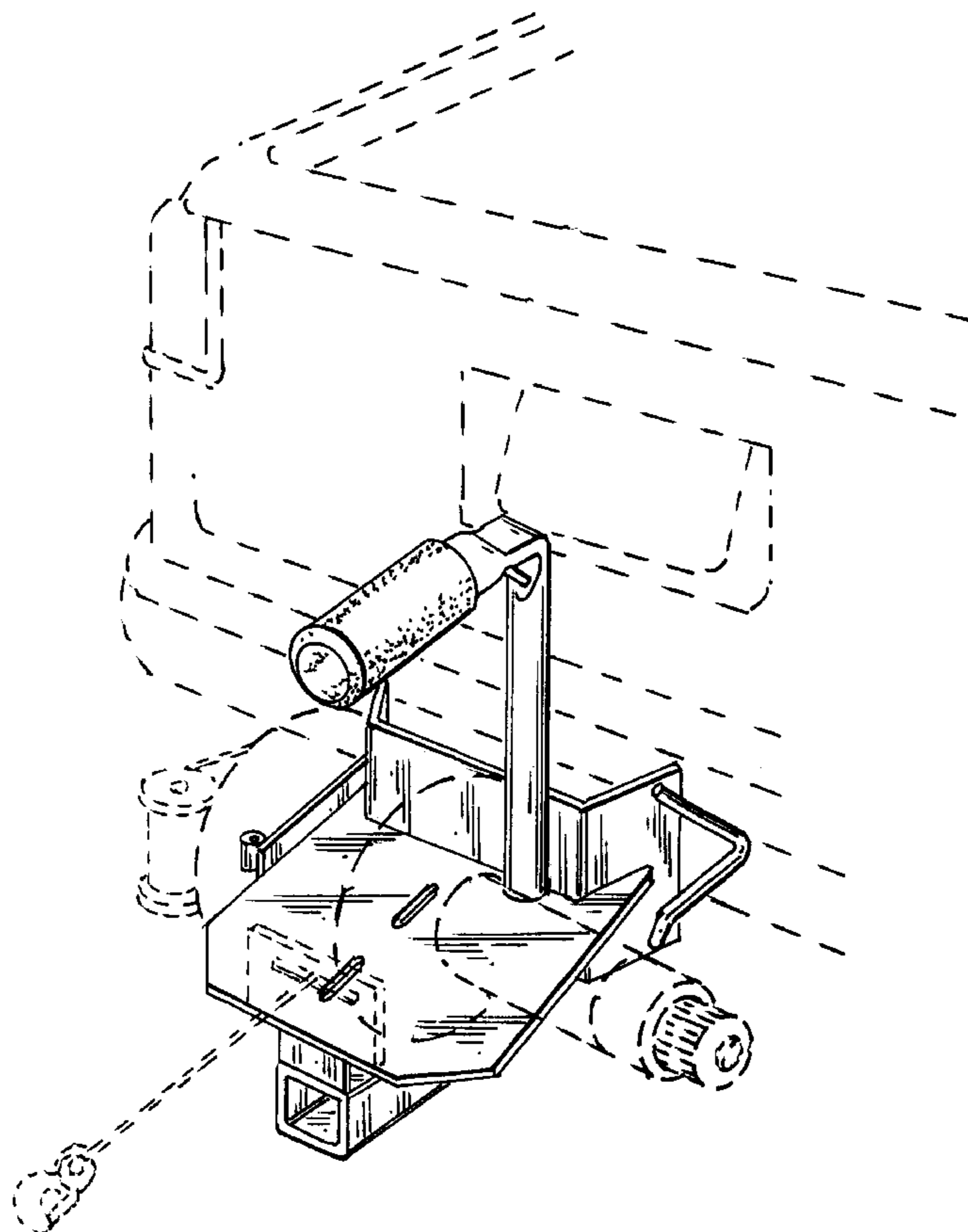
(56) **References Cited**

U.S. PATENT DOCUMENTS

- D. 341,810 * 11/1993 Cordia D12/162
- D. 380,719 * 7/1997 Lindenman et al. D12/162
- D. 395,025 * 6/1998 Lindenman et al. D12/162
- D. 402,602 * 12/1998 Niswanger D12/162
- D. 417,764 * 12/1999 Barringer D34/35
- D. 419,122 * 1/2000 Stech D12/162
- 3,042,375 * 7/1962 Fahey et al. 280/490.1
- 4,157,189 * 6/1979 Poley 280/490.1
- 5,257,797 * 11/1993 Johnson 280/490.1
- 5,727,805 * 3/1998 La Roque 280/490.1

FIG. 1 is a side elevation of a winch adapter plate showing my new design;
 FIG. 2 is a bottom plan view;
 FIG. 3 is a right side elevational view;
 FIG. 4 is a top plan view;
 FIG. 5 is a front elevational view;
 FIG. 6 is a perspective view mounted on a truck hitch supporting a winch with a wire line shown in broken outlines;
 FIG. 7 is a rear elevational view; and,
 FIG. 8 is a perspective view mounted on a tree shown in phantom outline.
 The broken line showing of a ratched strap, truck, tree and winch in the figures is for illustrative purposes only and forms no part of the claimed design.

1 Claim, 4 Drawing Sheets



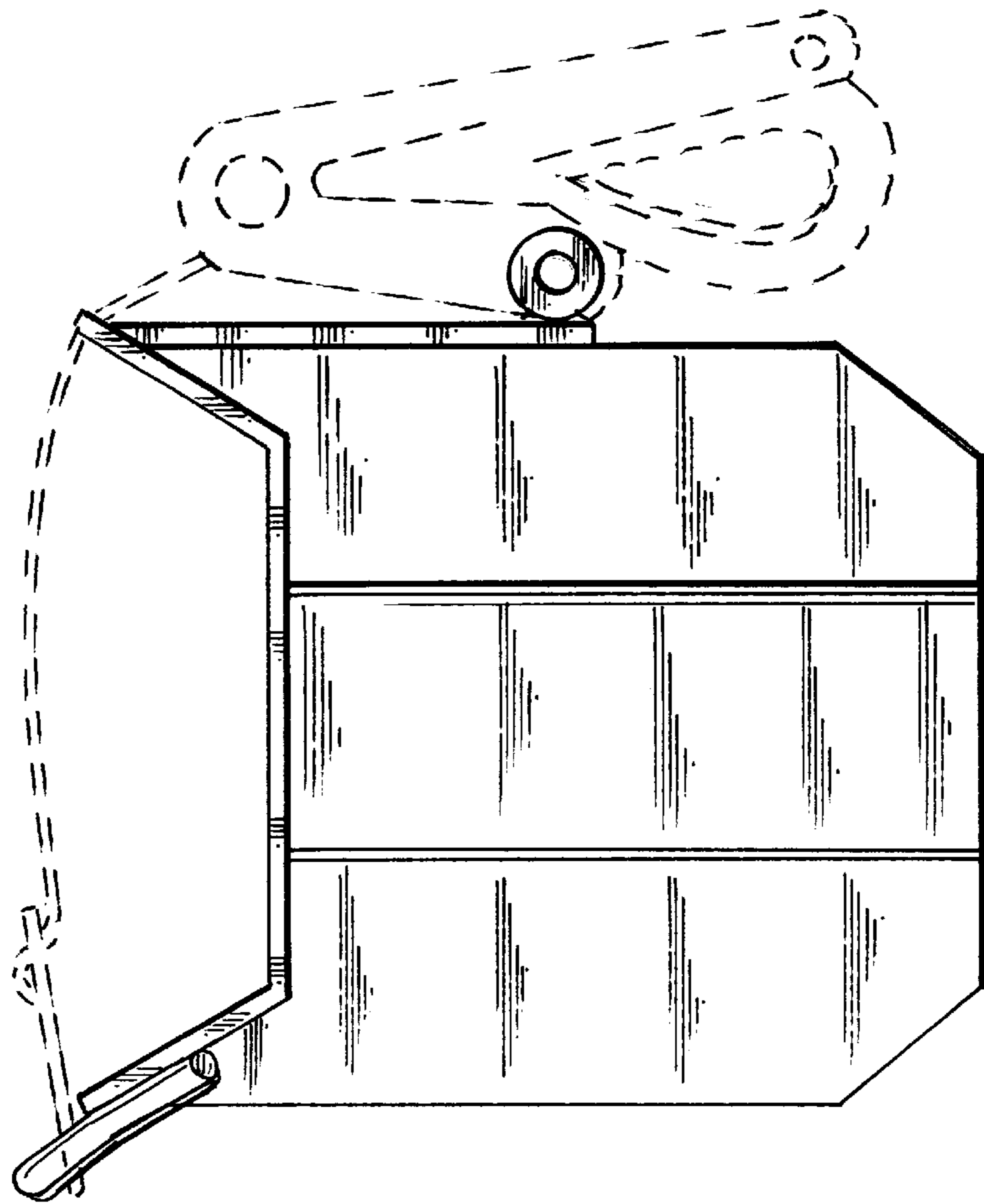


Fig. 2.

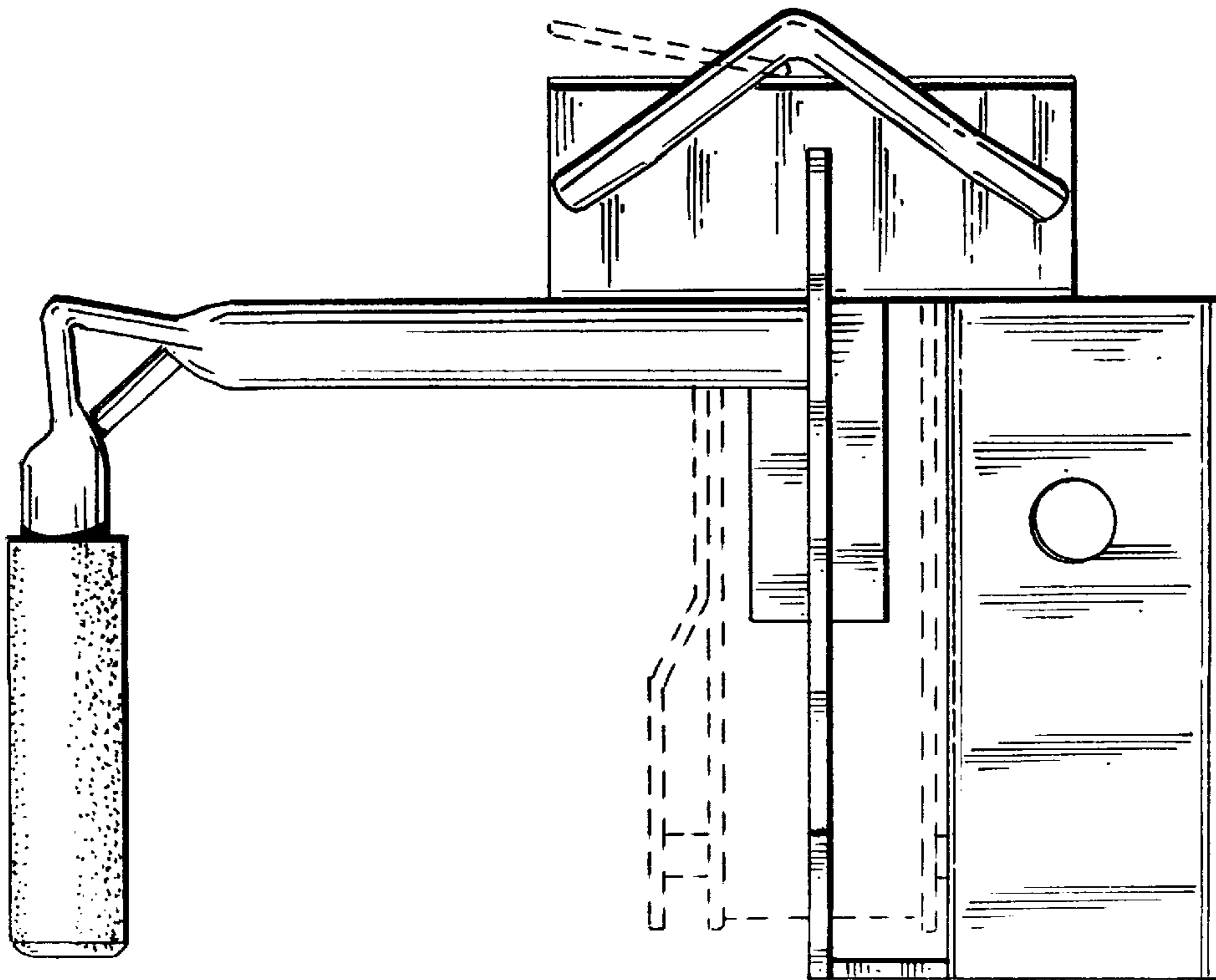


Fig. 1.

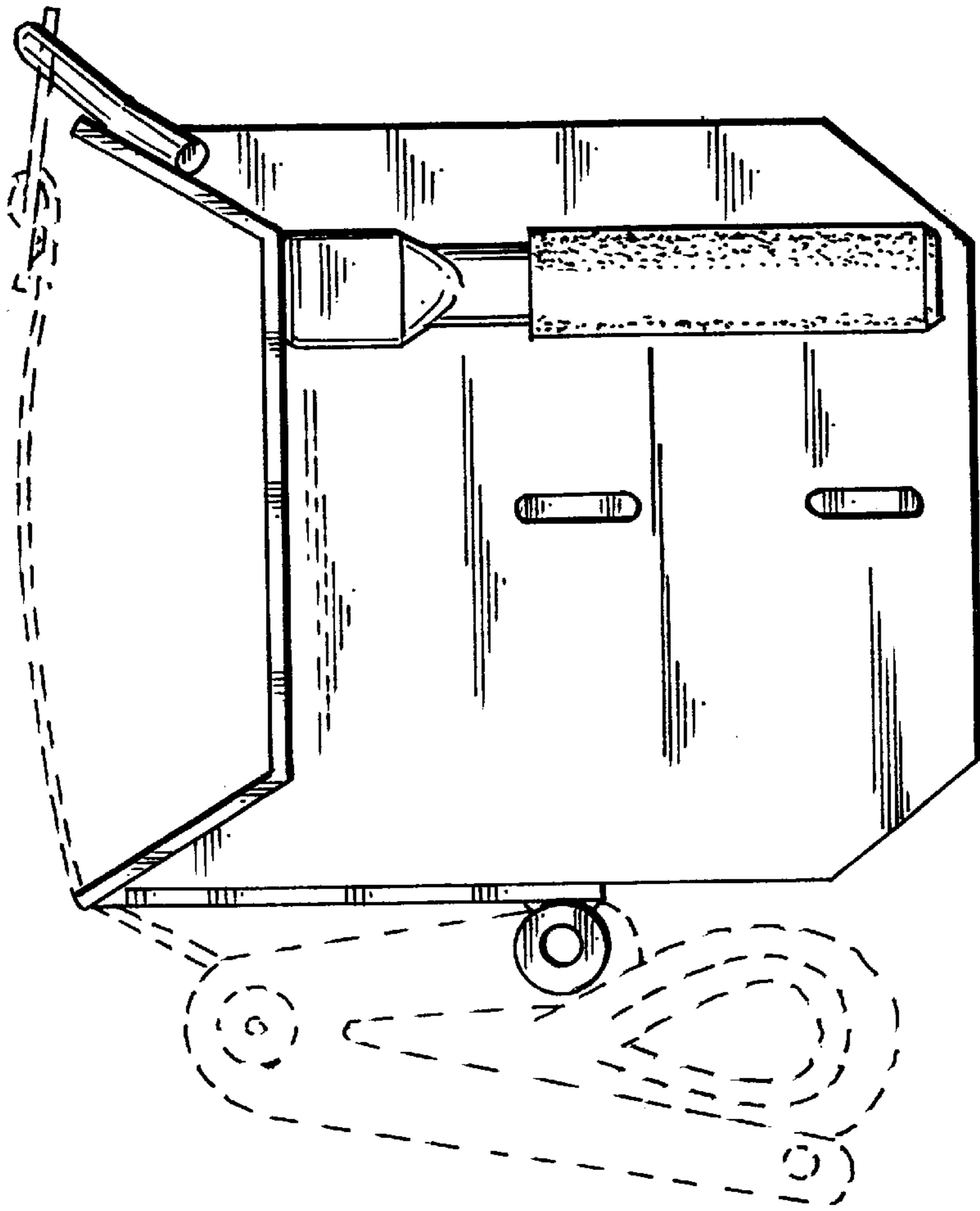


Fig. 4.

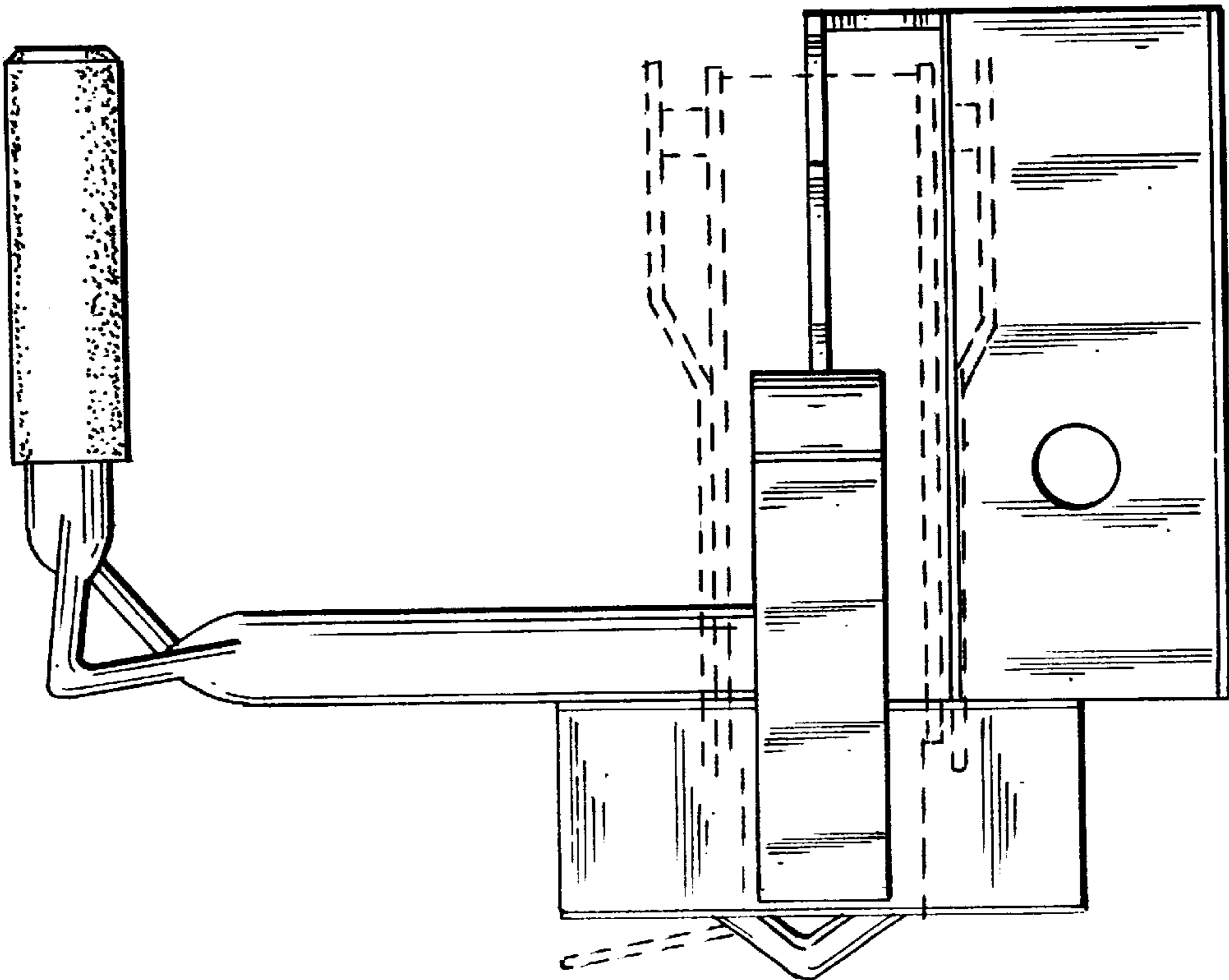


Fig. 3.

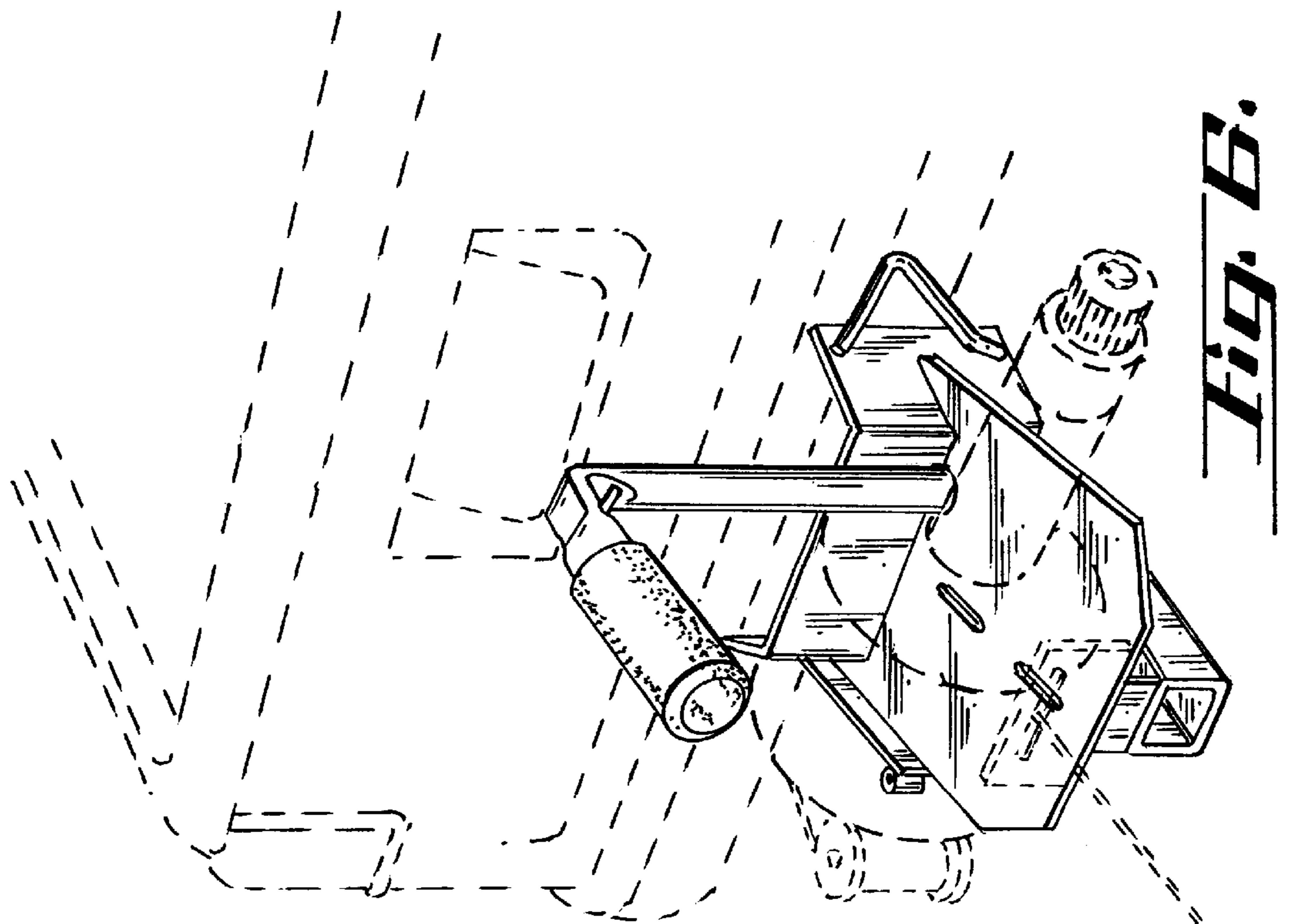


Fig. 6.

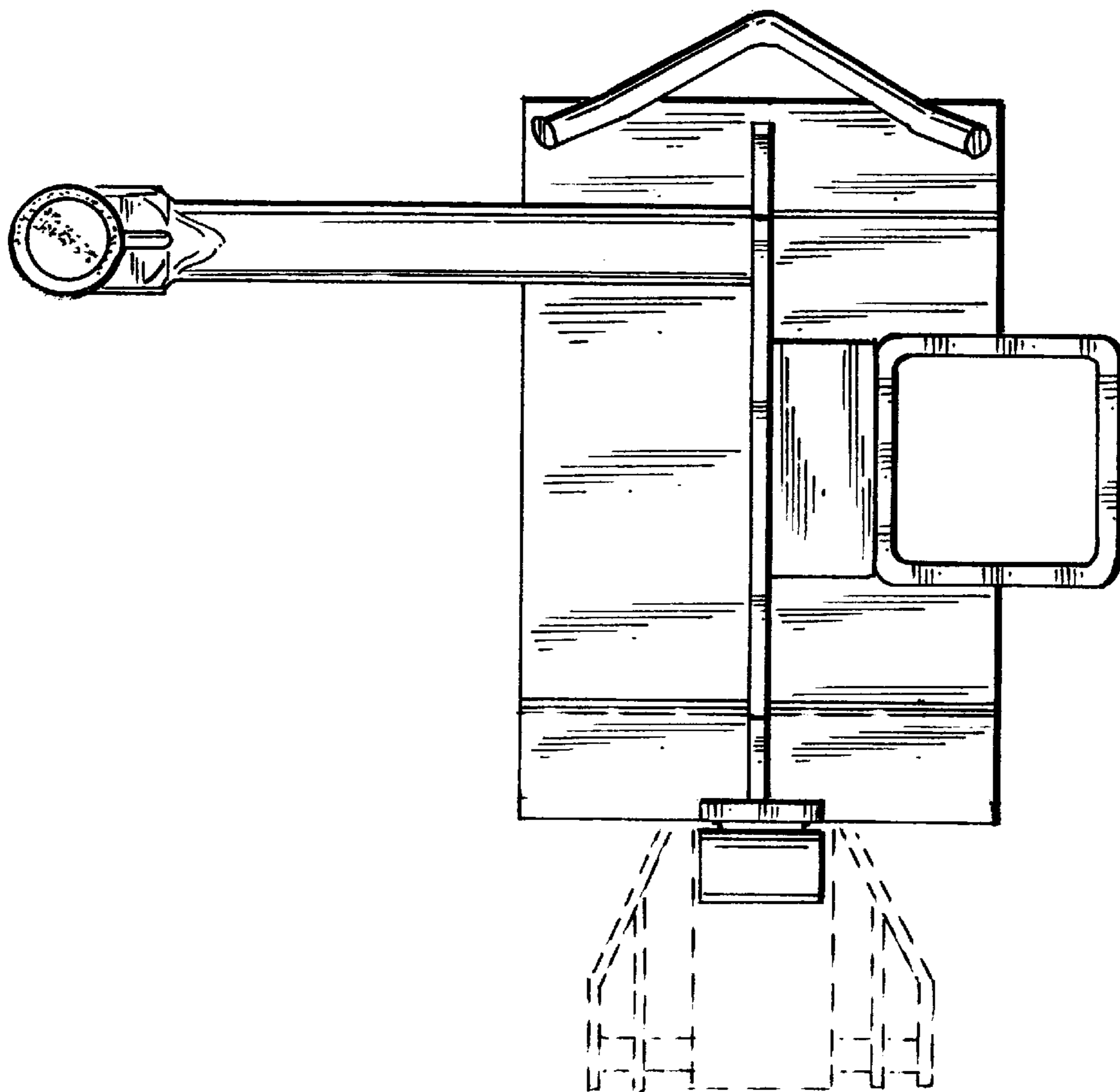


Fig. 5.

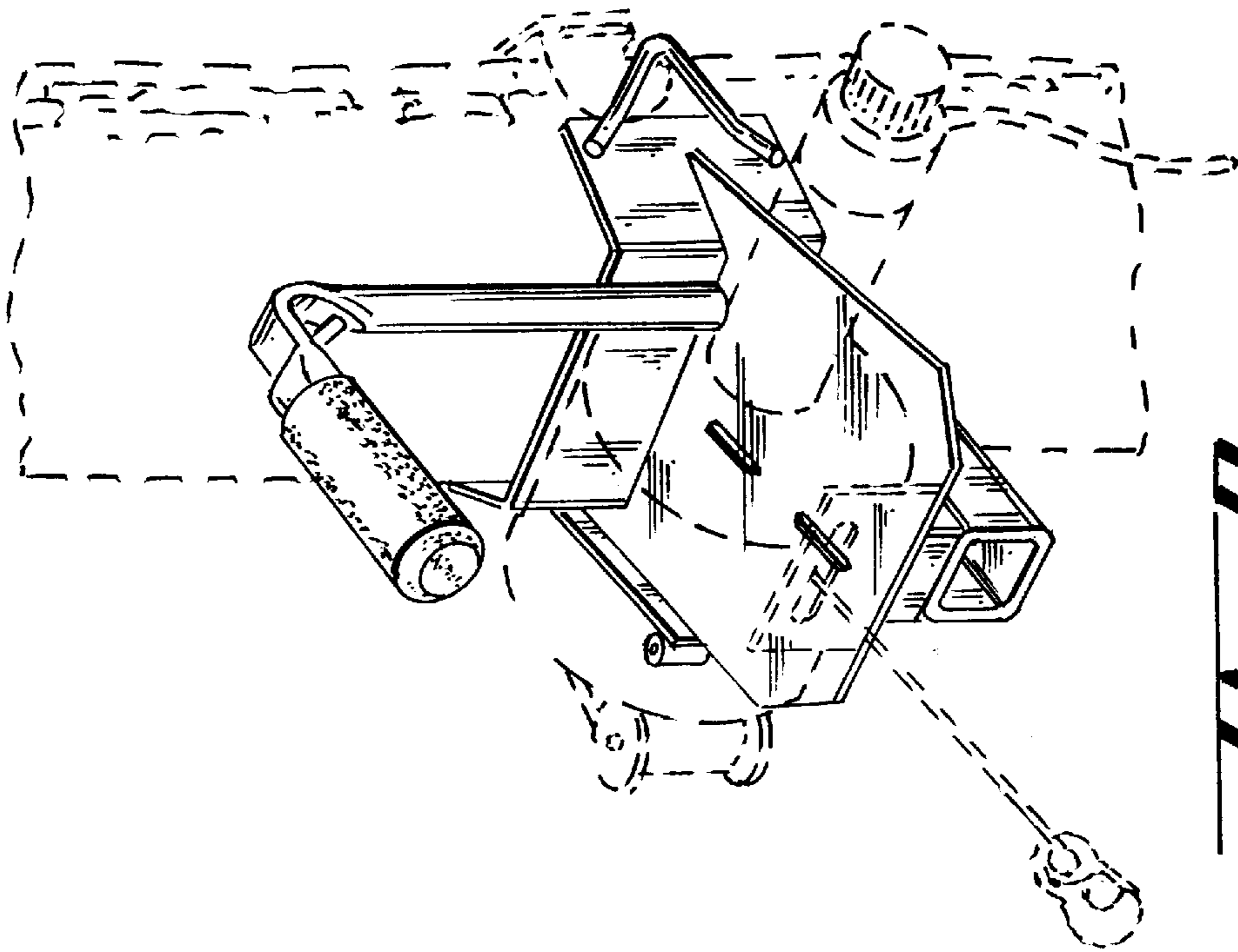


Fig. 6.

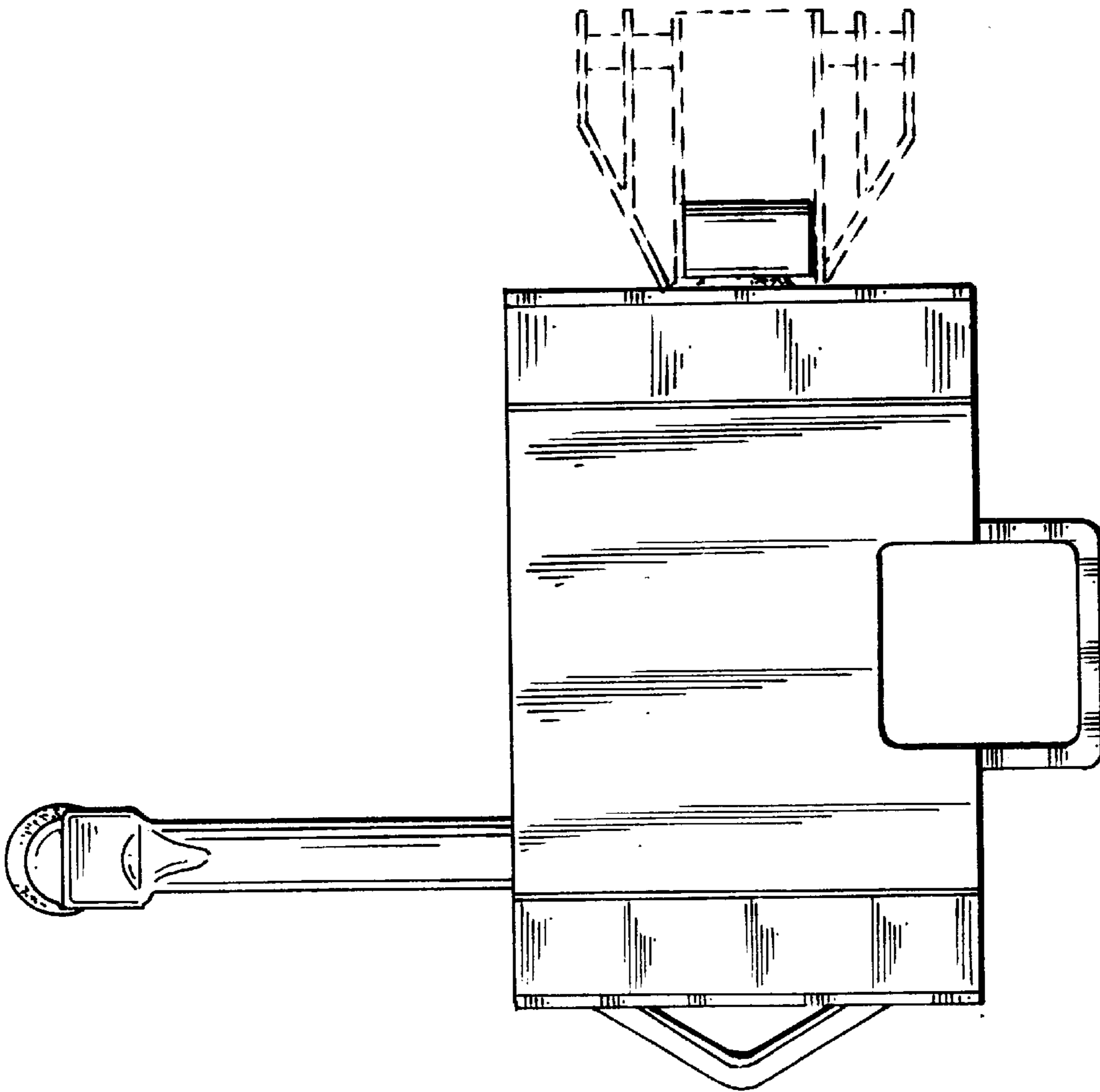


Fig. 7.