



US00D441164S

(12) **United States Design Patent**
Suzuki

(10) **Patent No.:** **US D441,164 S**

(45) **Date of Patent:** **** Apr. 24, 2001**

(54) **CRANE MOUNTABLE ON VEHICLE**

(75) **Inventor:** **Toshihiko Suzuki, Chiba (JP)**

(73) **Assignee:** **Furukawa Co., Ltd., Tokyo (JP)**

(**) **Term:** **14 Years**

(21) **Appl. No.:** **29/101,500**

(22) **Filed:** **Mar. 5, 1999**

(51) **LOC (7) Cl.** **12-05**

(52) **U.S. Cl.** **D34/33**

(58) **Field of Search** **D34/31, 28, 33;**
182/36, 37, 142, 150; 212/223, 255, 253,
224, 225, 294, 295, 901

(56) **References Cited**

U.S. PATENT DOCUMENTS

D. 204,770	*	5/1966	Pfister	D34/33
D. 346,474	*	4/1994	Lindgren	D34/33 X
D. 384,475	*	9/1997	Fukutomi	D34/33
D. 391,034	*	2/1998	Fukutomi	D34/33
1,156,558	*	10/1915	Sasgen	212/223
2,610,743	*	9/1952	English et al.	212/223
3,804,264	*	4/1974	Hedeen et al.	212/255
4,419,038	*	12/1983	Pendergraft	212/255
4,838,439	*	6/1989	Bazuik	212/223
5,217,344	*	6/1993	Gendrault et al.	212/253 X

5,487,478	*	1/1996	Morrow	212/253
5,607,071	*	3/1997	Kroll et al.	212/224

* cited by examiner

Primary Examiner—Cynthia E Ramirez

(74) *Attorney, Agent, or Firm*—Young & Basile, P.C.

(57) **CLAIM**

The ornamental design for a crane mountable on vehicle, as shown and described.

DESCRIPTION

FIG. 1 is a front elevational view of a crane mountable on a vehicle;
 FIG. 2 is a rear elevational view thereof;
 FIG. 3 is a right side elevational view thereof;
 FIG. 4 is a left side elevational view thereof;
 FIG. 5 is a top plan view thereof;
 FIG. 6 is a bottom plan view thereof;
 FIG. 7 is a front, top and right side perspective view thereof;
 FIG. 8 is a rear, top and left side perspective view thereof;
 and,
 FIG. 9 is a reference drawing indicating an occasion of use thereof.
 The broken line showing of a vehicle in FIG. 9 is for illustrative purposes only and forms no part of the claimed design.

1 Claim, 9 Drawing Sheets

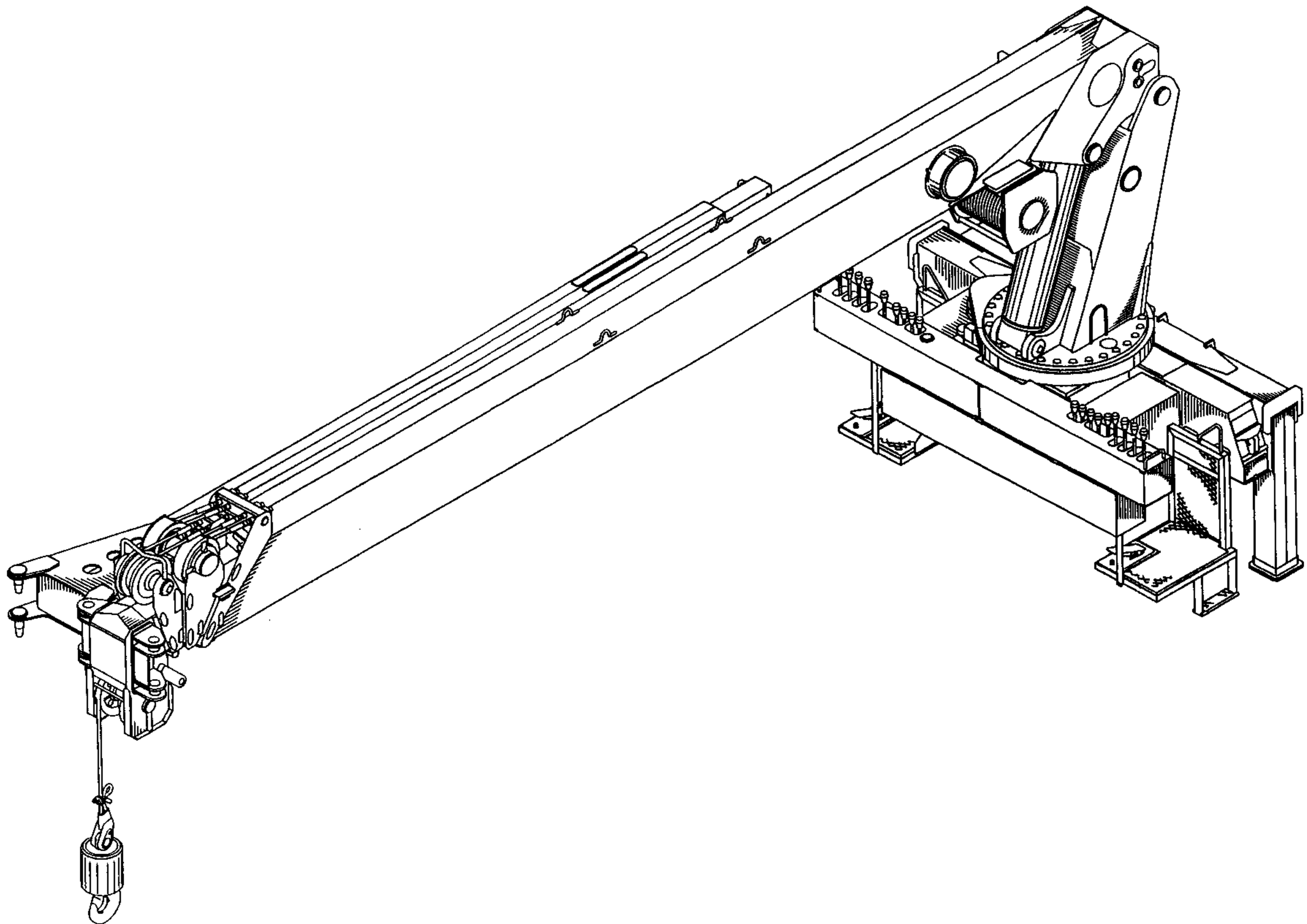


FIG.1

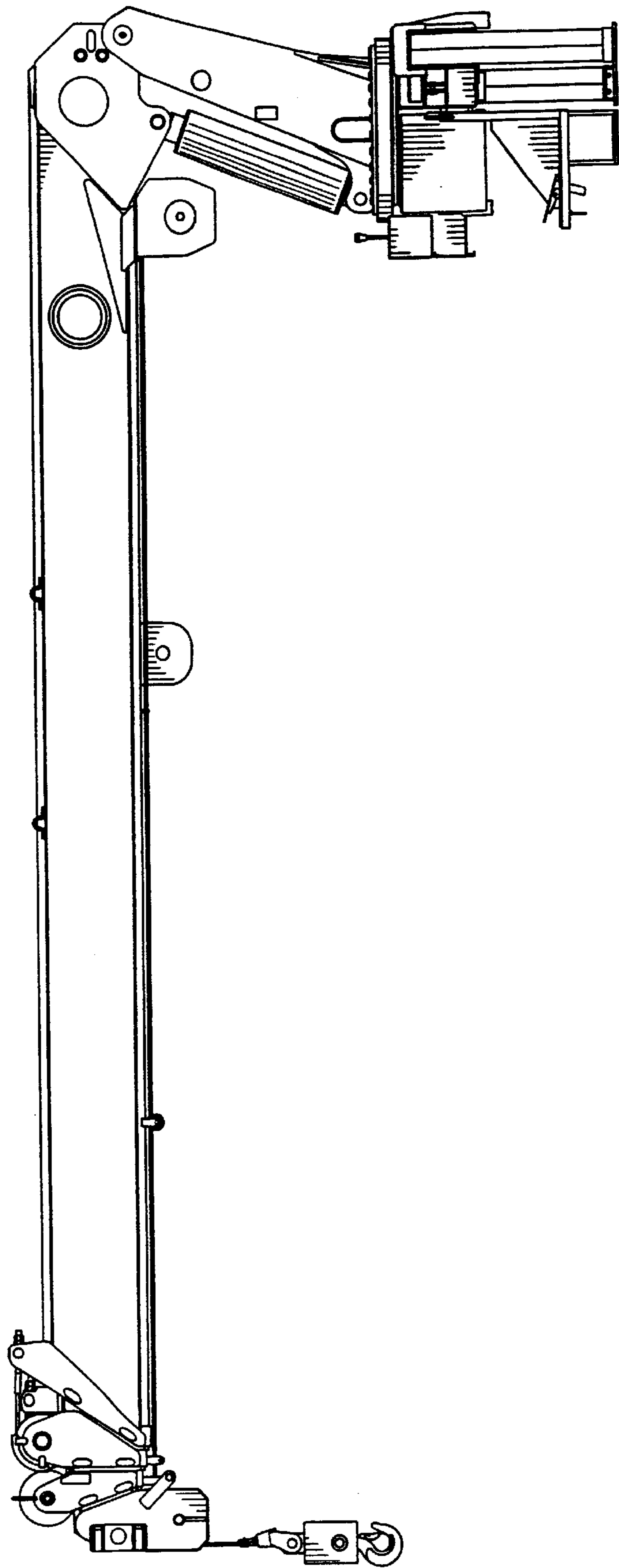


FIG.2

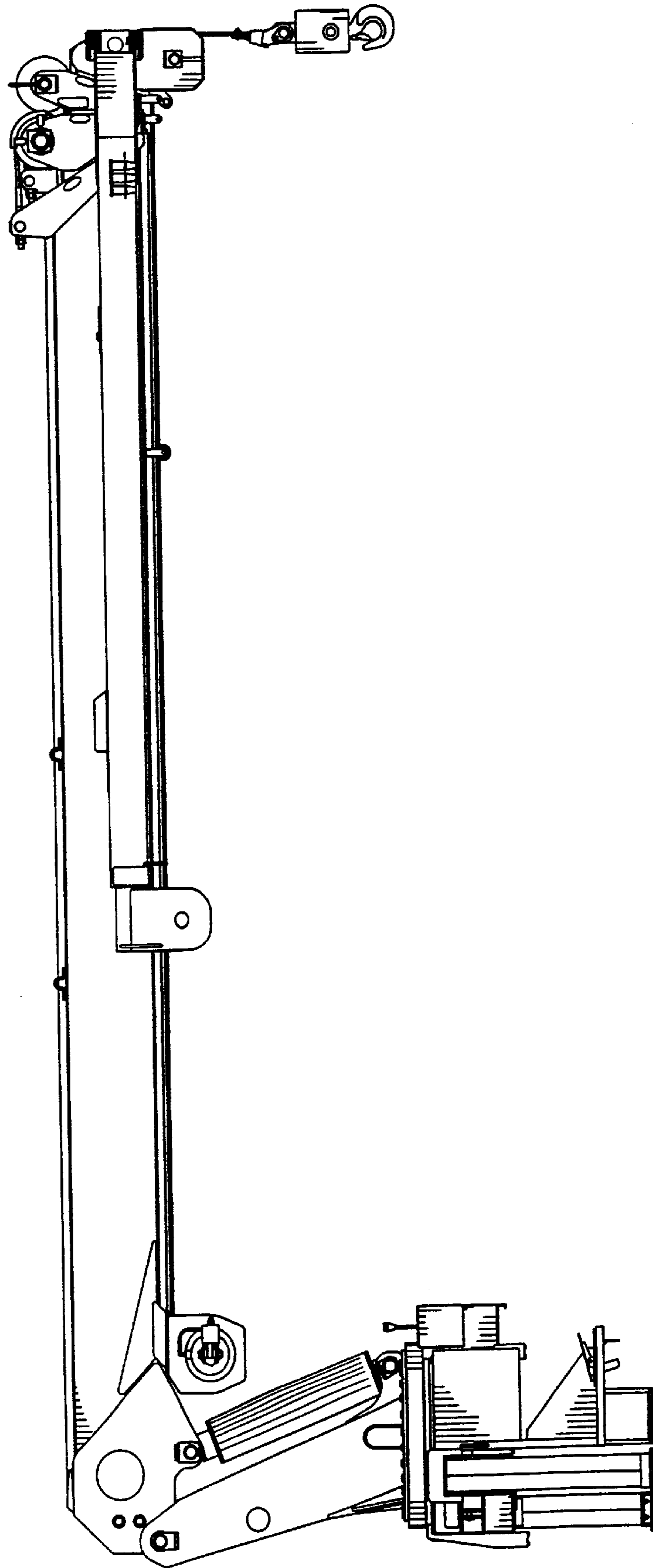


FIG.3

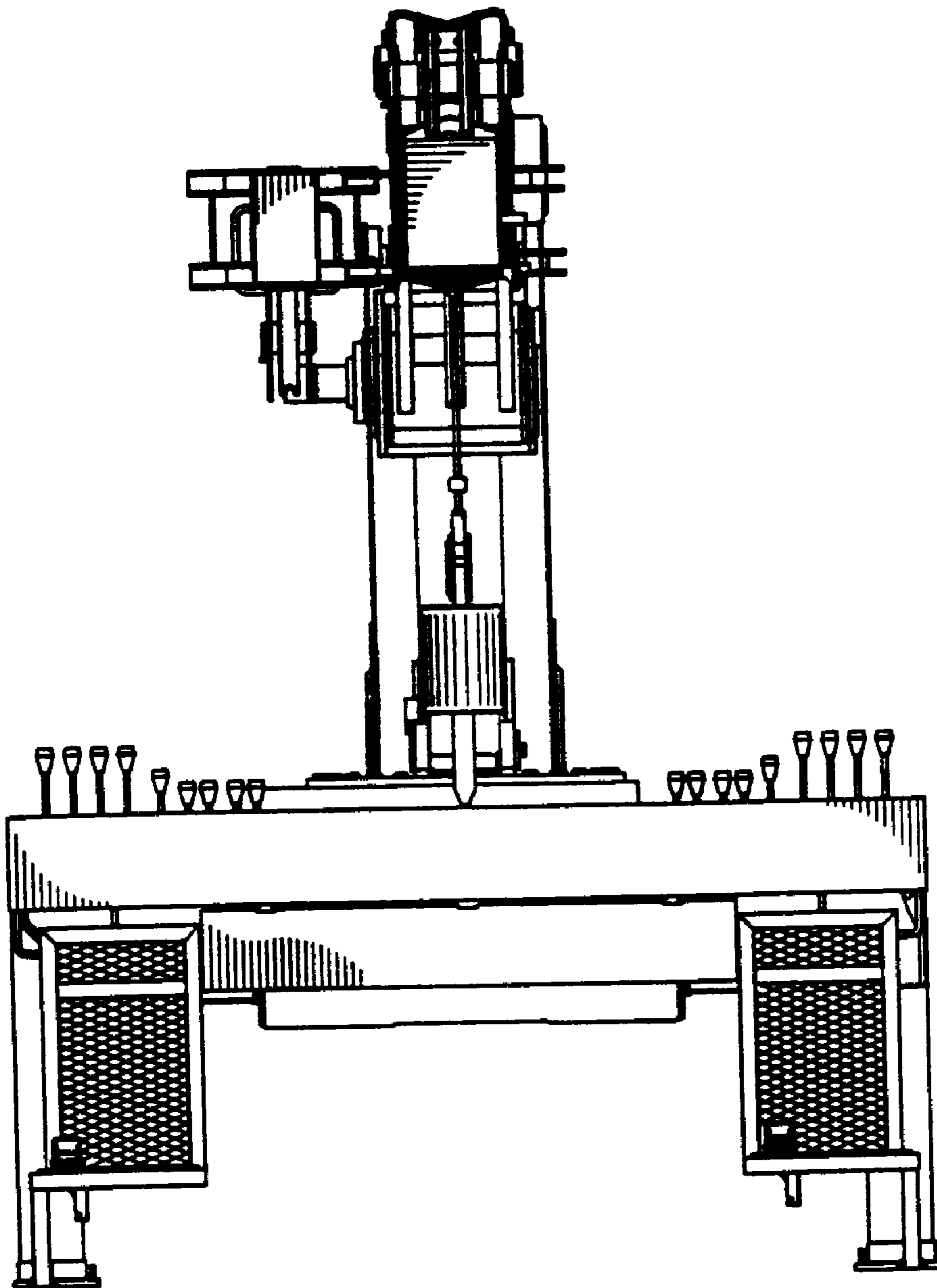


FIG.4

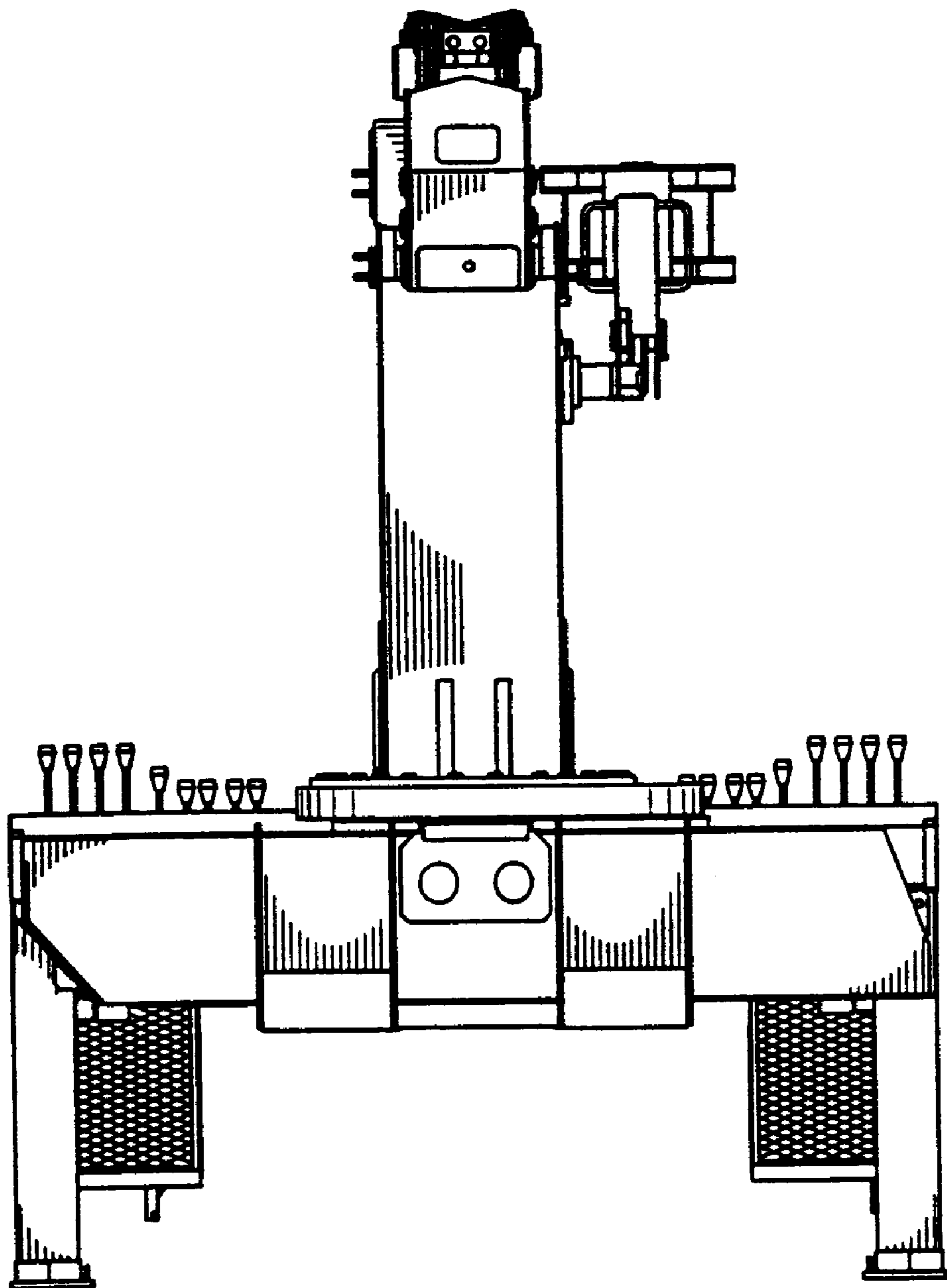


FIG.5

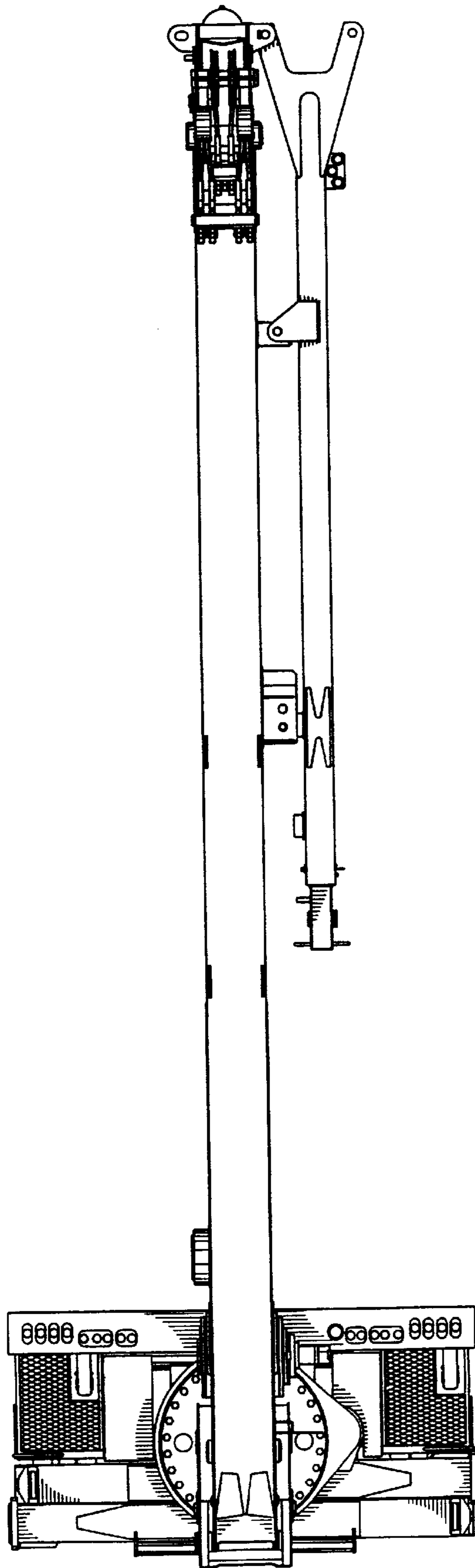
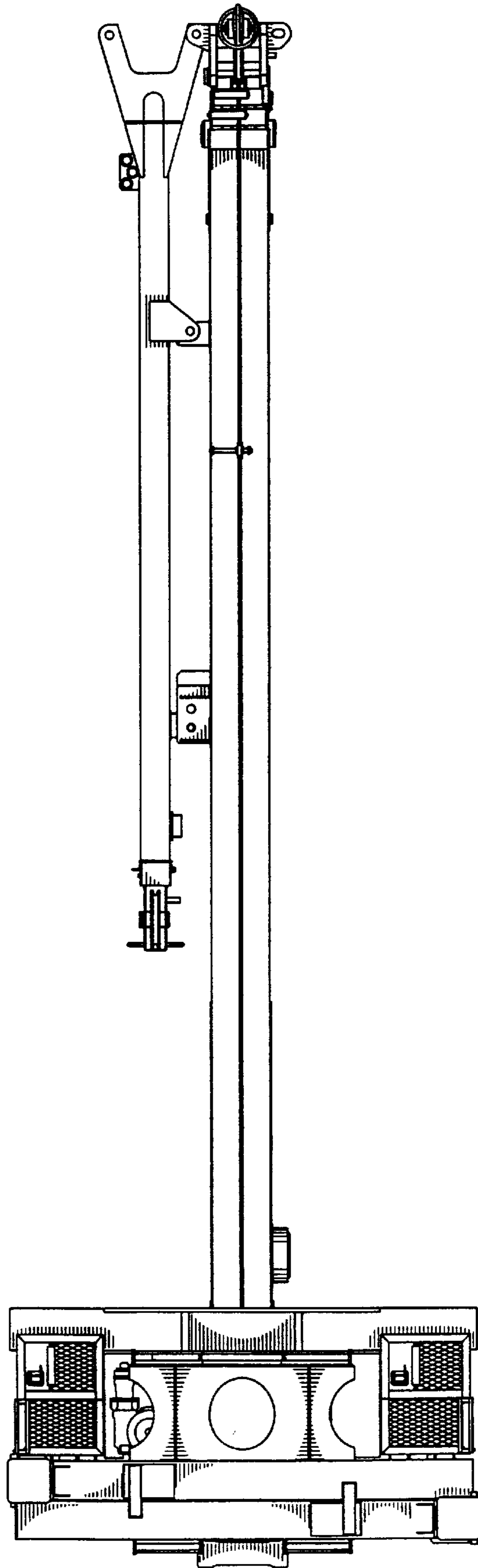


FIG.6



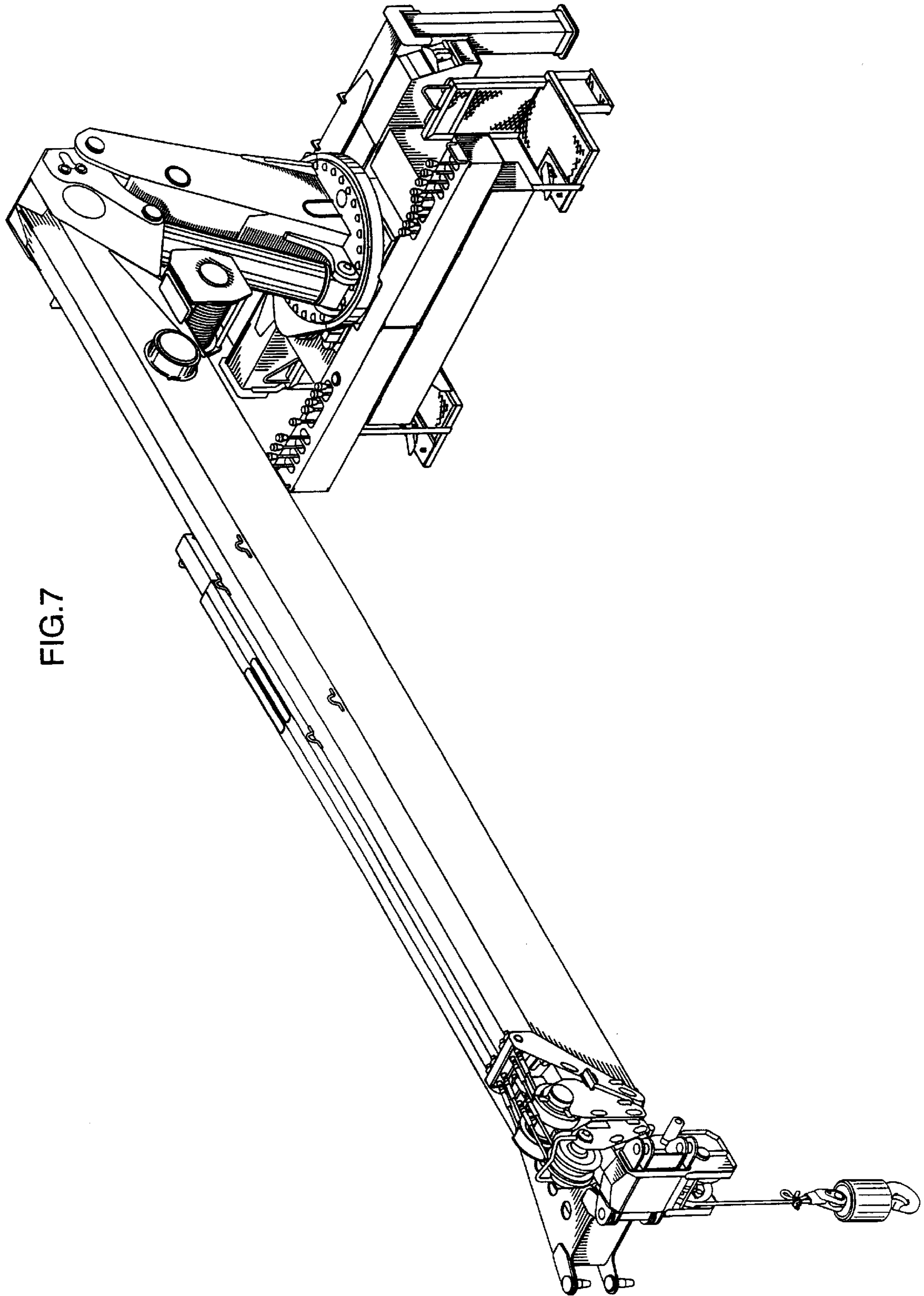


FIG. 7

FIG.8

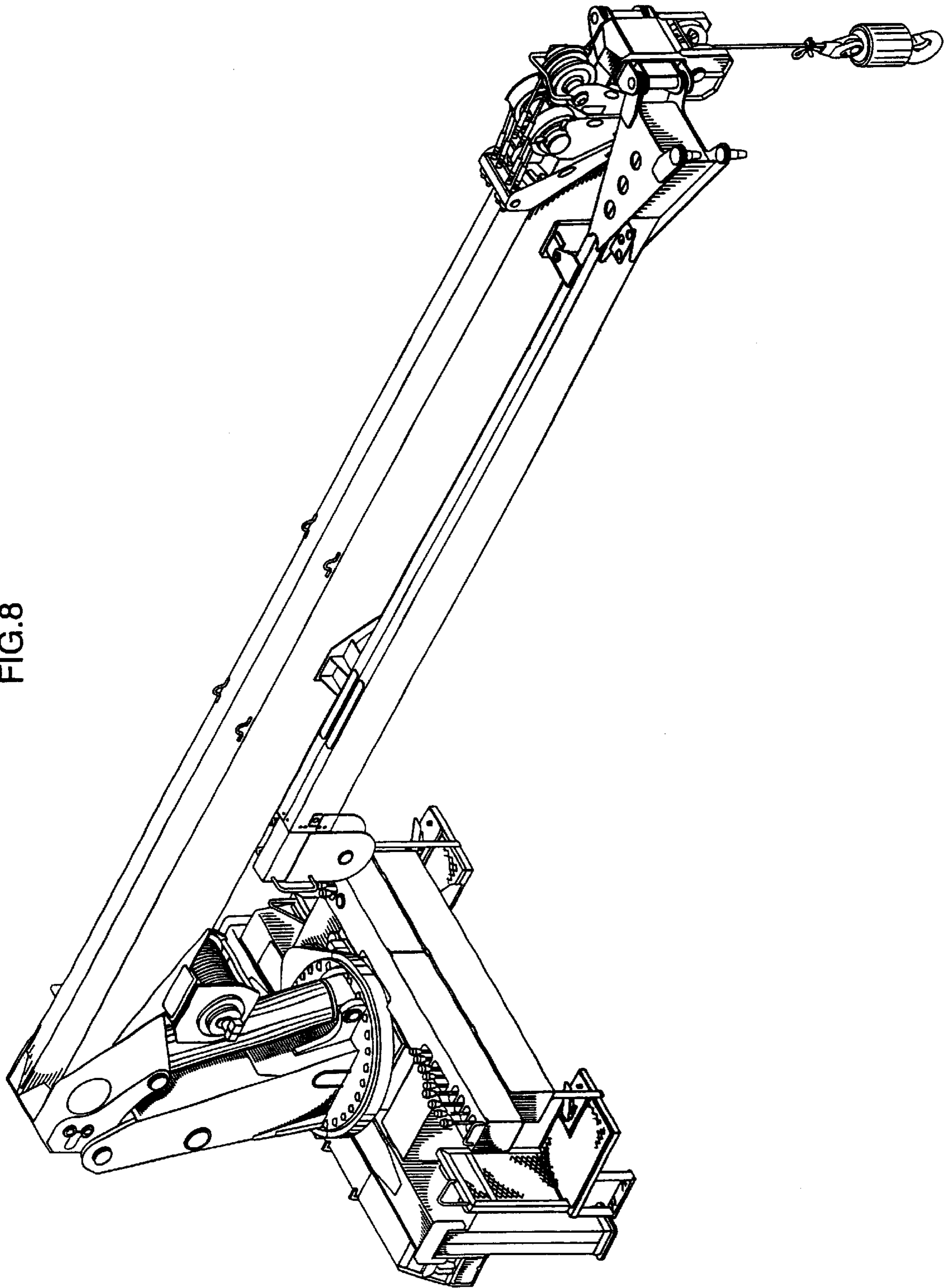


FIG.9

