



US00D441162S

(12) **United States Design Patent**
Grove et al.

(10) **Patent No.:** **US D441,162 S**

(45) **Date of Patent:** **** Apr. 24, 2001**

(54) **HANDLE FOR A GOLF PULL-CART**

D. 357,099 * 4/1995 Sammons, Jr. D34/27

(75) Inventors: **James E. Grove**, Marina Del Rey;
Andy Siew Fun Vong, Venice, both of
CA (US)

* cited by examiner

Primary Examiner—Kay H. Chin
(74) *Attorney, Agent, or Firm*—Perkins Coie LLP

(73) Assignee: **L.A. Product Design, L.L.C.**, Marina
del Rey, CA (US)

(57) **CLAIM**

(**) Term: **14 Years**

The ornamental design for a handle for a golf pull-cart, as
shown and described.

(21) Appl. No.: **29/119,589**

DESCRIPTION

(22) Filed: **Mar. 3, 2000**

FIG. 1 is a top, right, front isometric view of a first
embodiment of a handle for a golf pull-cart showing our new
design in the environment in which it is typically used.

(51) **LOC (7) Cl.** **12-02**

(52) **U.S. Cl.** **D34/27; D8/107; D12/133**

FIG. 2 is a top, right, front isometric view of the handle for
a golf pull-cart.

(58) **Field of Search** D34/12-27; D12/128-133;
D8/107, 300; 16/111 R, 114 R; 81/177.1;
280/DIG. 5, DIG. 6

FIG. 3 is a top plan view thereof.

FIG. 4 is a front elevational view thereof.

FIG. 5 is a right side elevational view thereof; the left side
elevational view is a mirror image thereof.

FIG. 6 is a rear elevational view thereof; and,

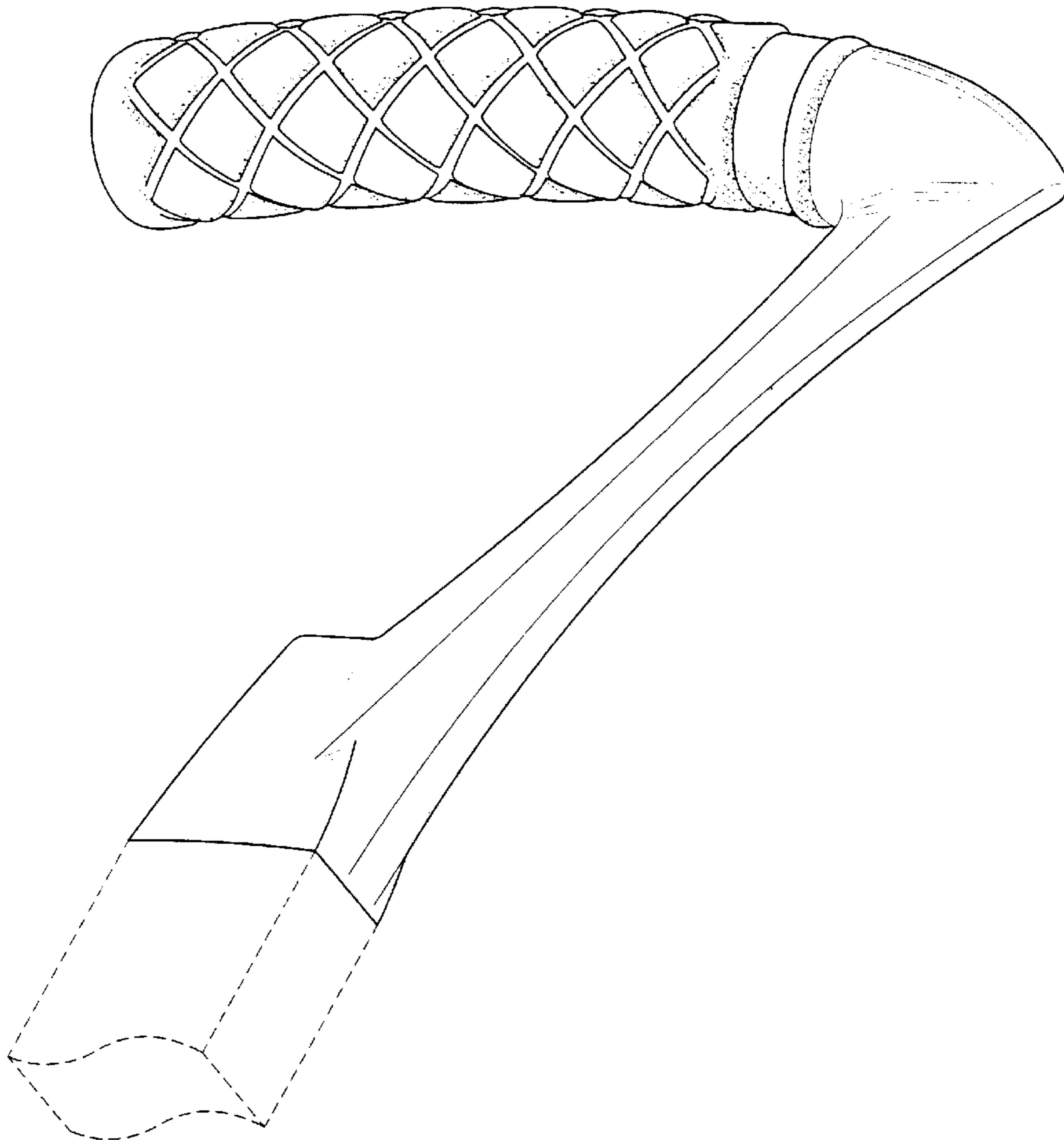
FIG. 7 is a bottom plan view thereof.

(56) **References Cited**

U.S. PATENT DOCUMENTS

- D. 319,327 * 8/1991 Sanders et al. D34/15
- D. 339,892 * 9/1993 Wu D34/27

1 Claim, 6 Drawing Sheets



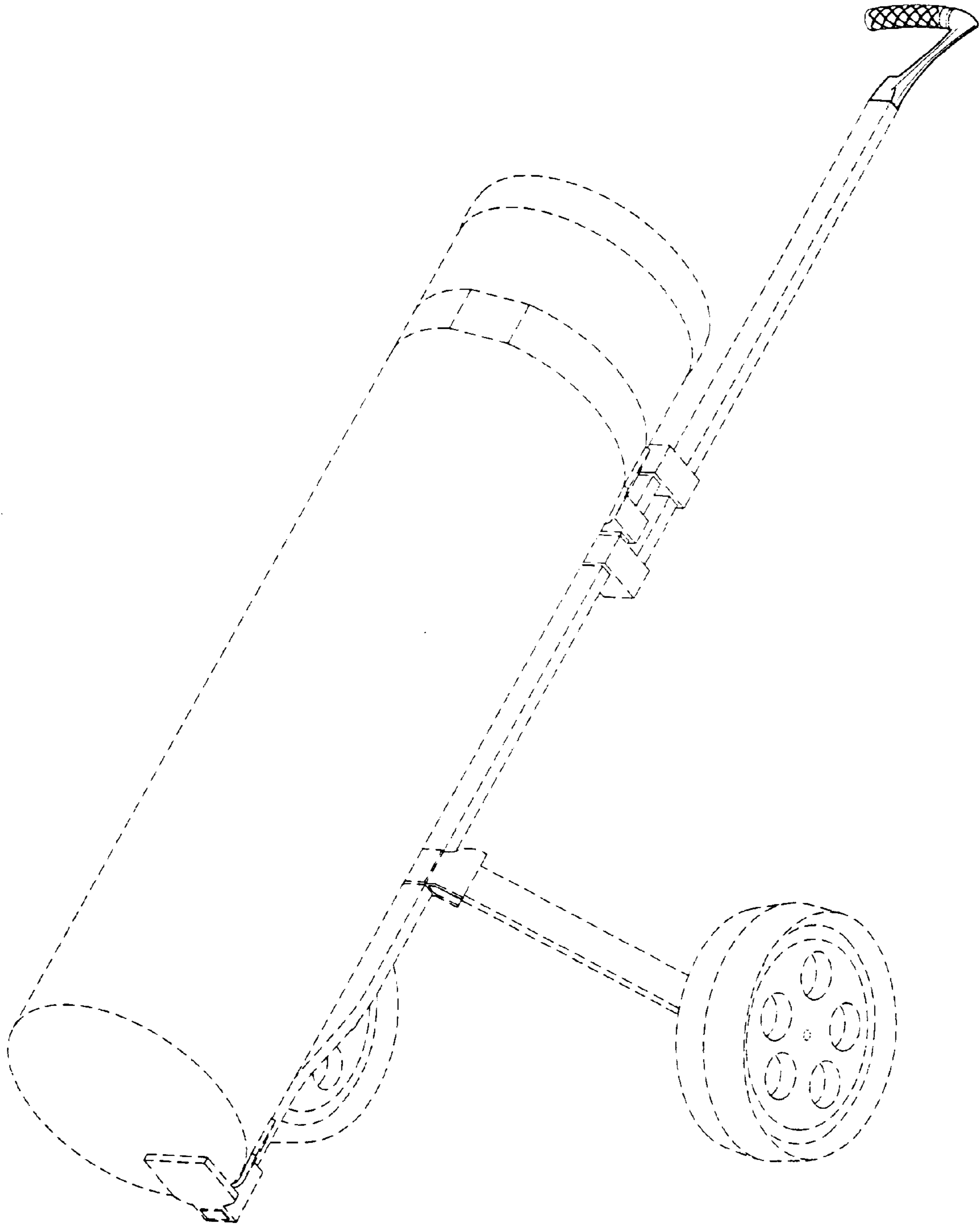


Fig. 1

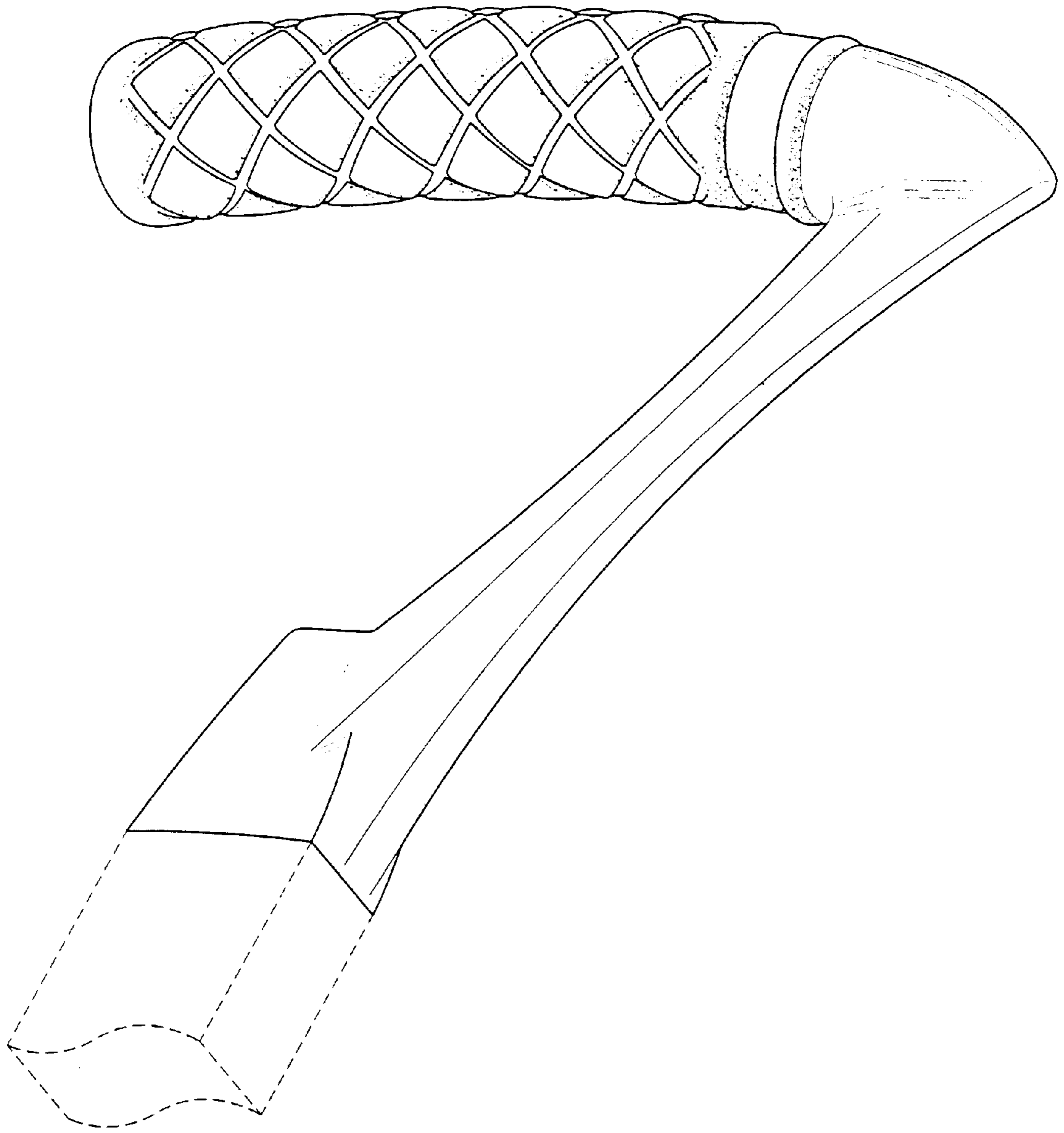


Fig. 2

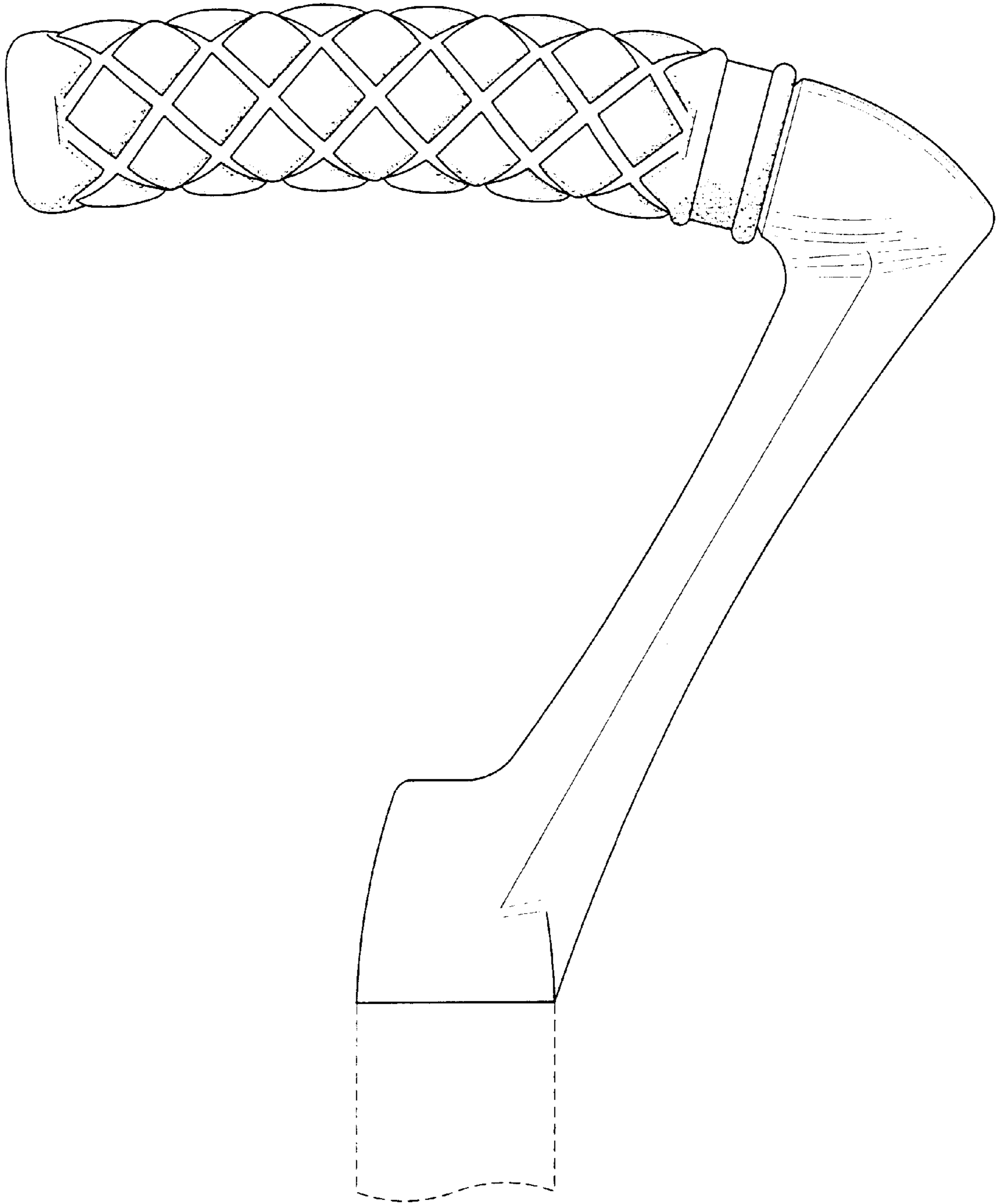


Fig. 3

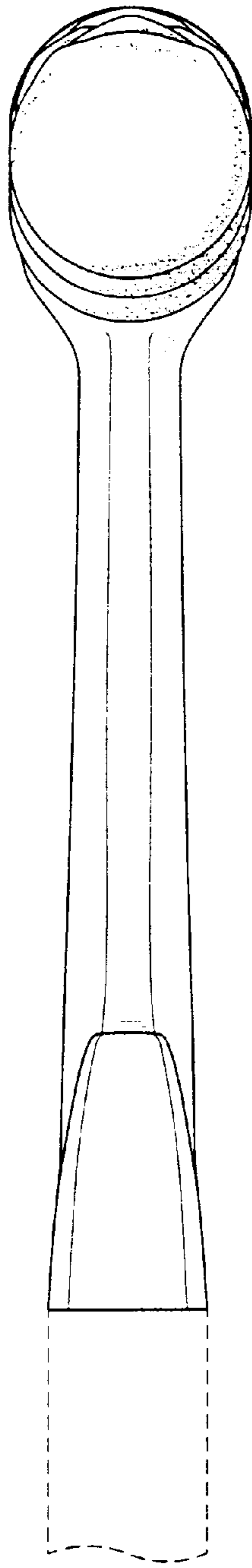


Fig. 4

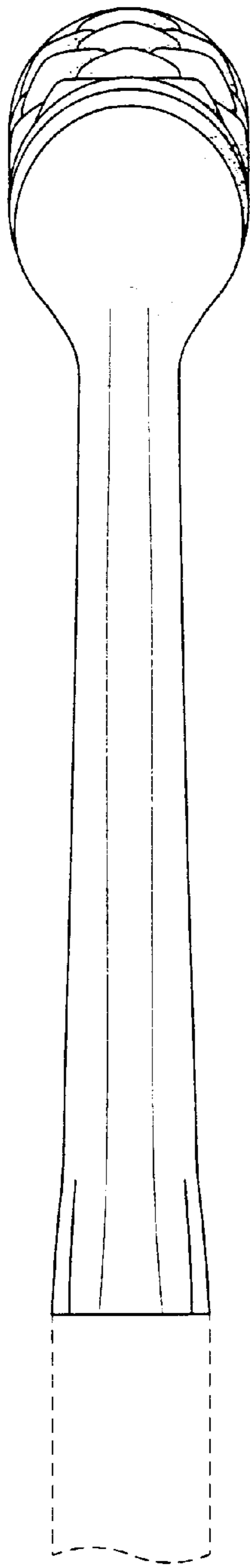


Fig. 5

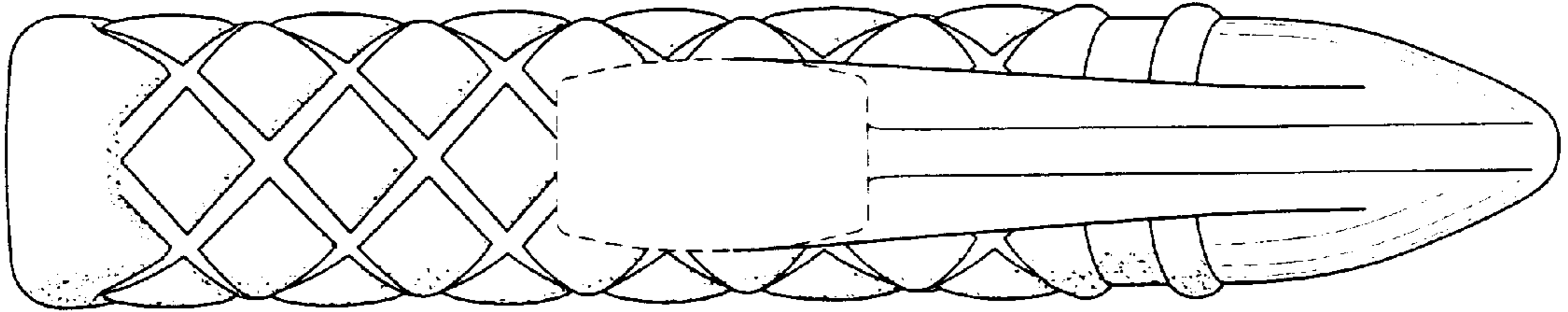


Fig. 6

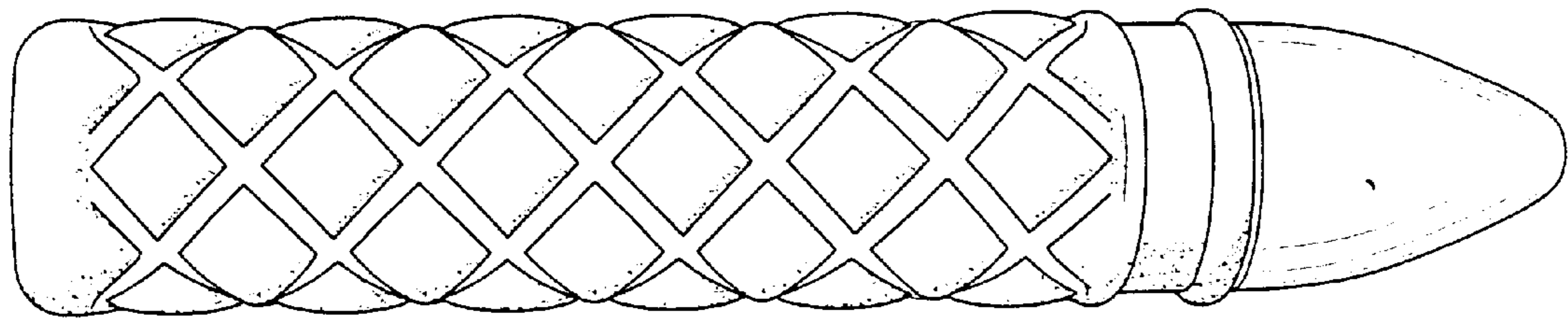


Fig. 7