



US00D441161S

(12) **United States Design Patent**  
**Shetterly**

(10) **Patent No.:** **US D441,161 S**

(45) **Date of Patent:** **\*\* Apr. 24, 2001**

(54) **TOOL CADDY**

D. 357,600 \* 4/1995 Chen ..... D6/443

(76) Inventor: **Thomas H. Shetterly**, 2125 Overlook  
Dr., Walnut Creek, CA (US) 94596

\* cited by examiner

(\*\*) Term: **14 Years**

*Primary Examiner*—Kay H. Chin

(74) *Attorney, Agent, or Firm*—Bruce & McCoy; Ernest H. McCoy

(21) Appl. No.: **29/123,768**

(57) **CLAIM**

(22) Filed: **May 23, 2000**

The ornamental design for a tool caddy, as shown and described.

(51) **LOC (7) Cl.** ..... **12-02**

(52) **U.S. Cl.** ..... **D34/25; D34/24**

(58) **Field of Search** ..... D34/12-27; 280/79.11,  
280/79.14, 47.35; D6/443, 457; 312/DIG. 33,  
250, 125, 202

**DESCRIPTION**

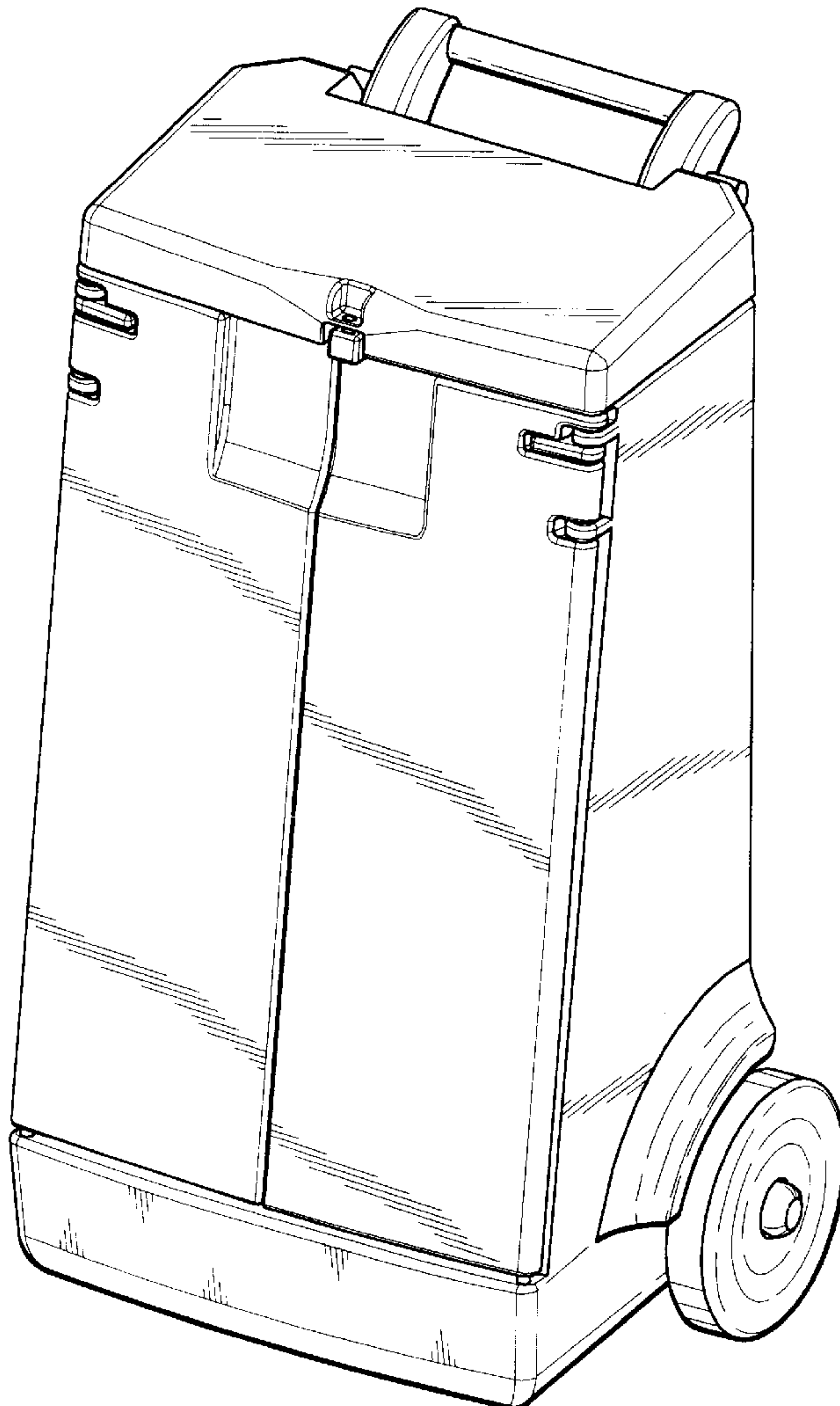
FIG. 1 is a front perspective view showing my new design;  
FIG. 2 is a front elevation view thereof;  
FIG. 3 is a rear elevation view thereof;  
FIG. 4 is a first side elevation view thereof;  
FIG. 5 is a opposite side elevation view thereof;  
FIG. 6 is a bottom plan view thereof; and,  
FIG. 7 is a top plan view thereof.

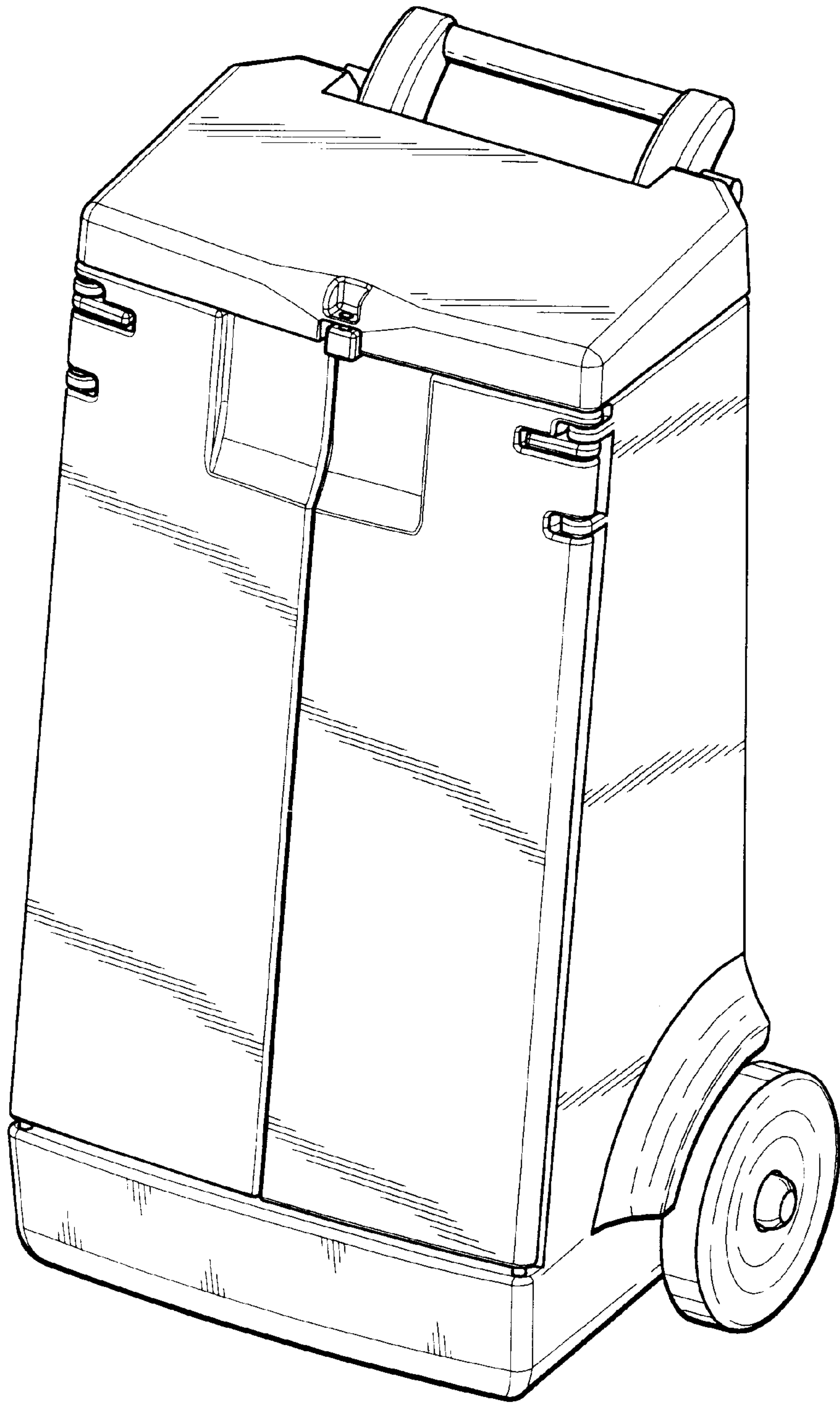
(56) **References Cited**

**U.S. PATENT DOCUMENTS**

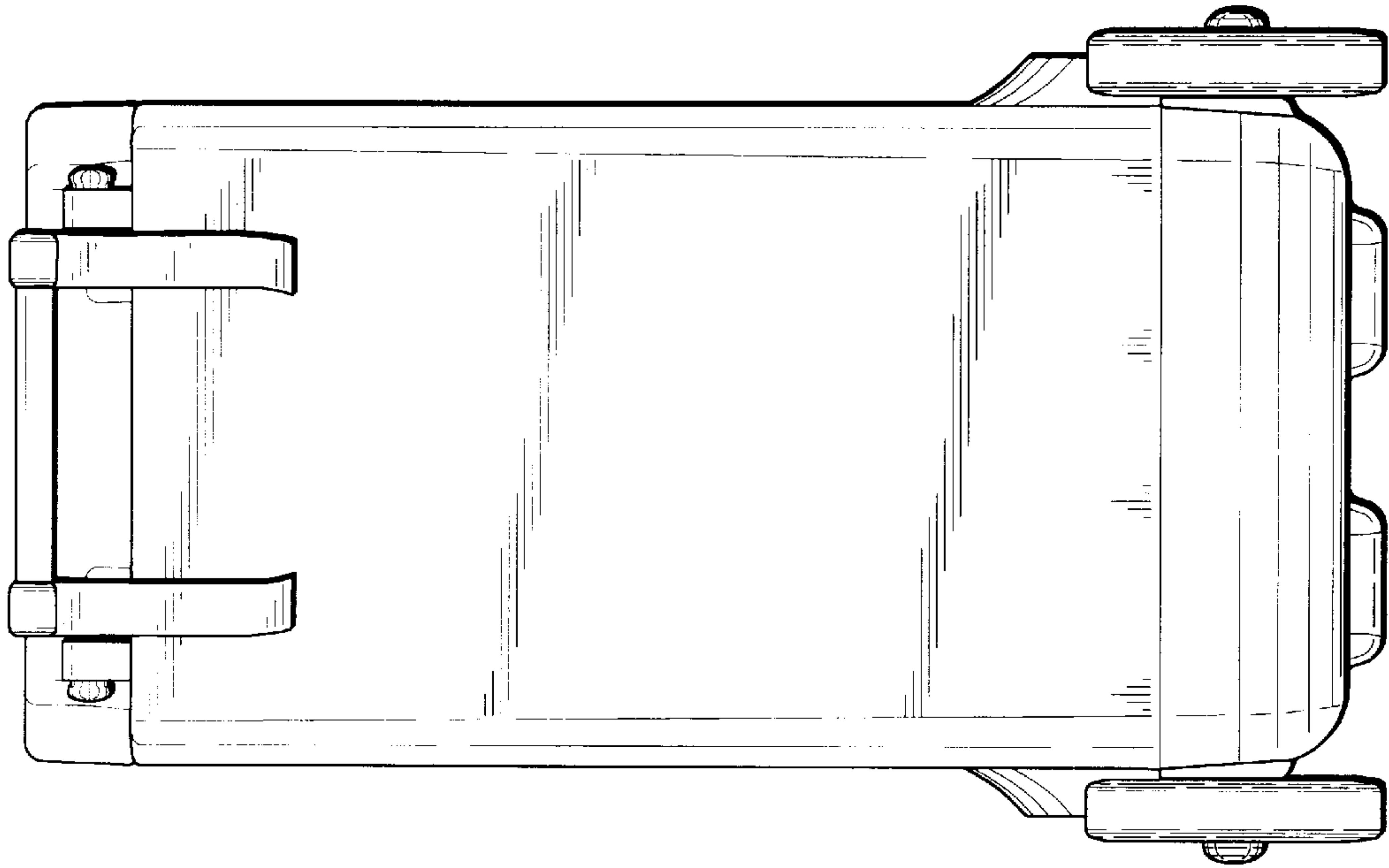
- D. 311,622 \* 10/1990 Swig ..... D34/25
- D. 327,353 \* 6/1992 Shetterly ..... D34/25
- D. 349,989 \* 8/1994 Shetterly ..... D34/25

**1 Claim, 4 Drawing Sheets**

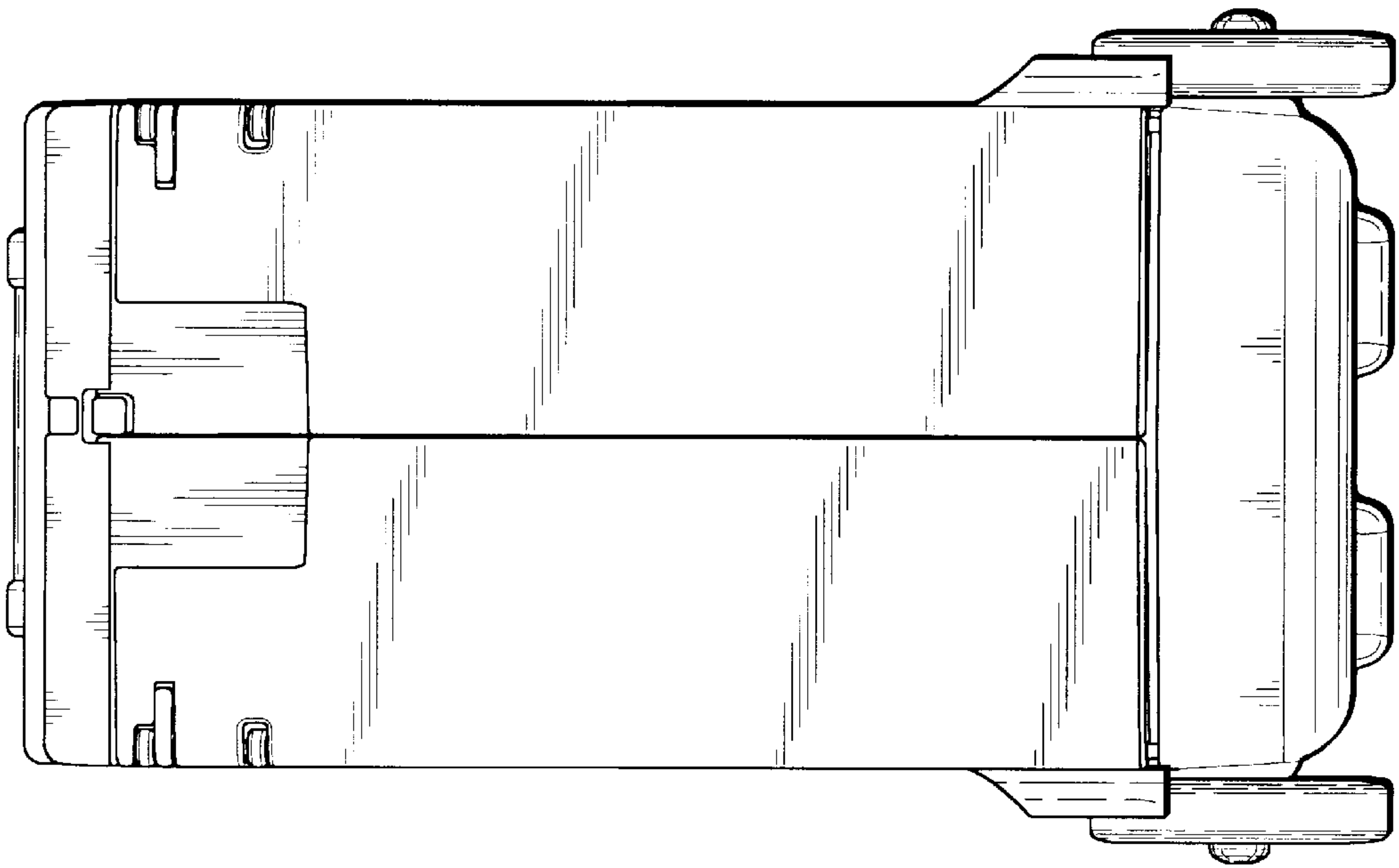




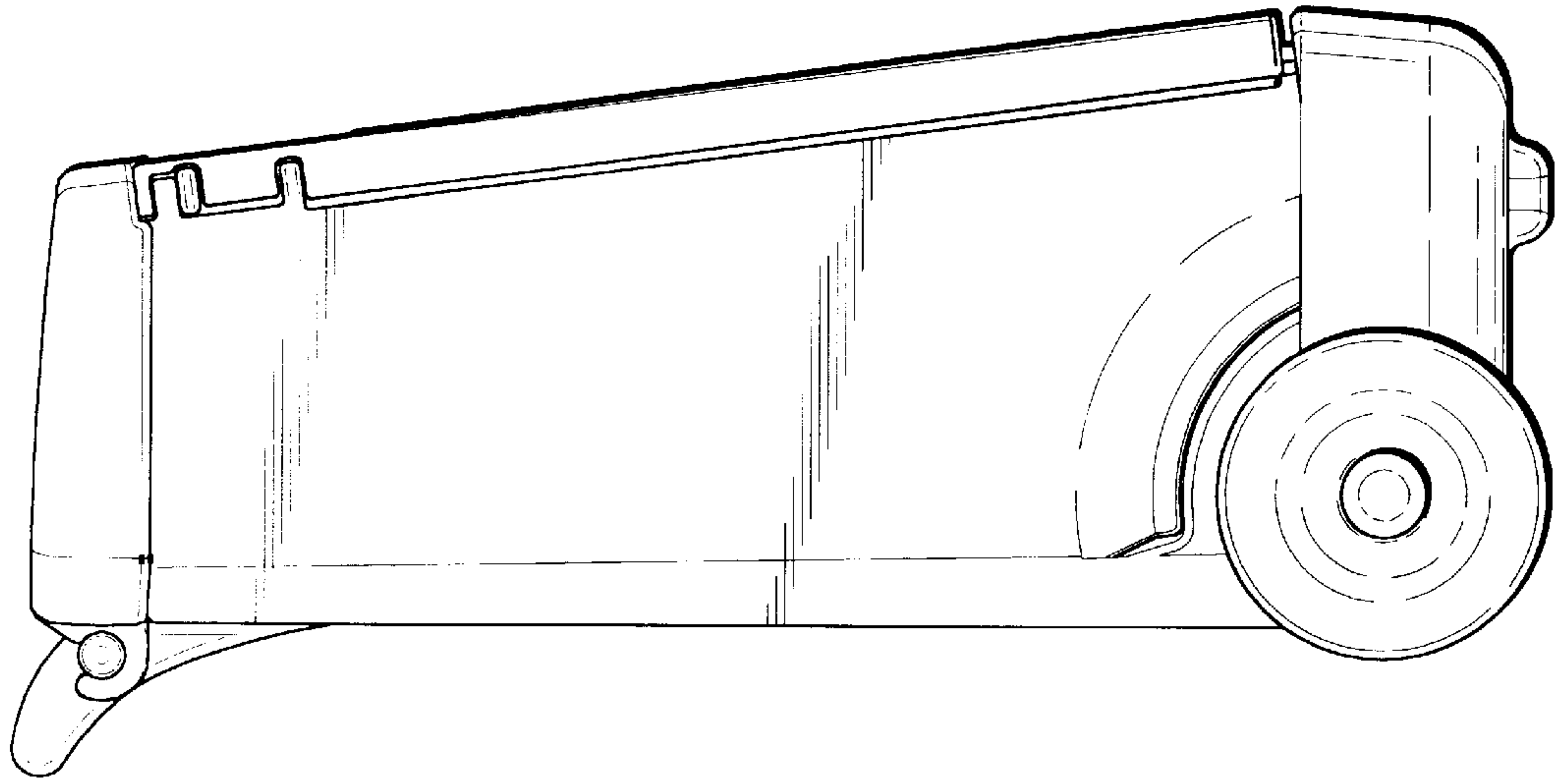
*FIG. - 1*



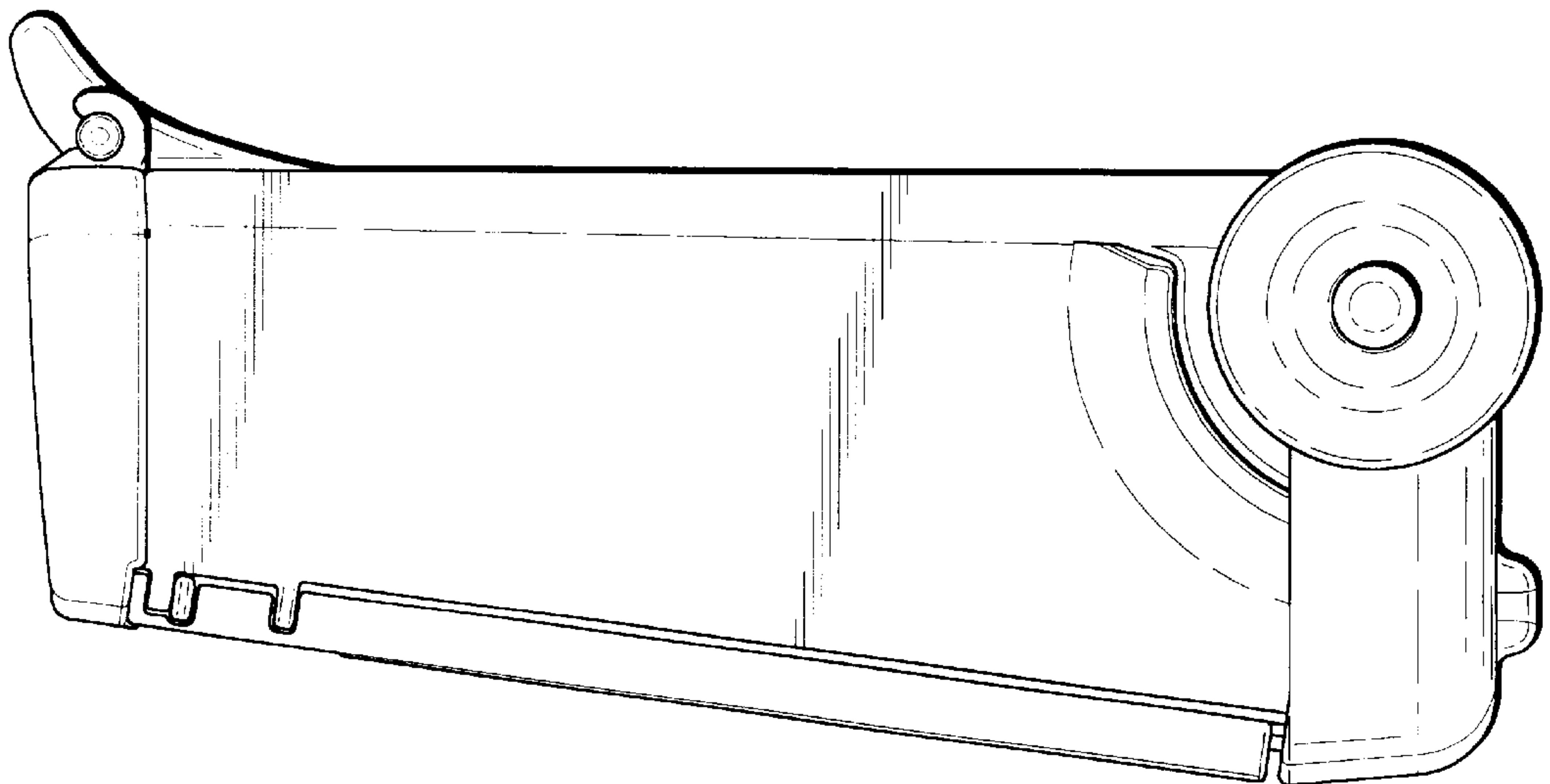
*FIG. -3*



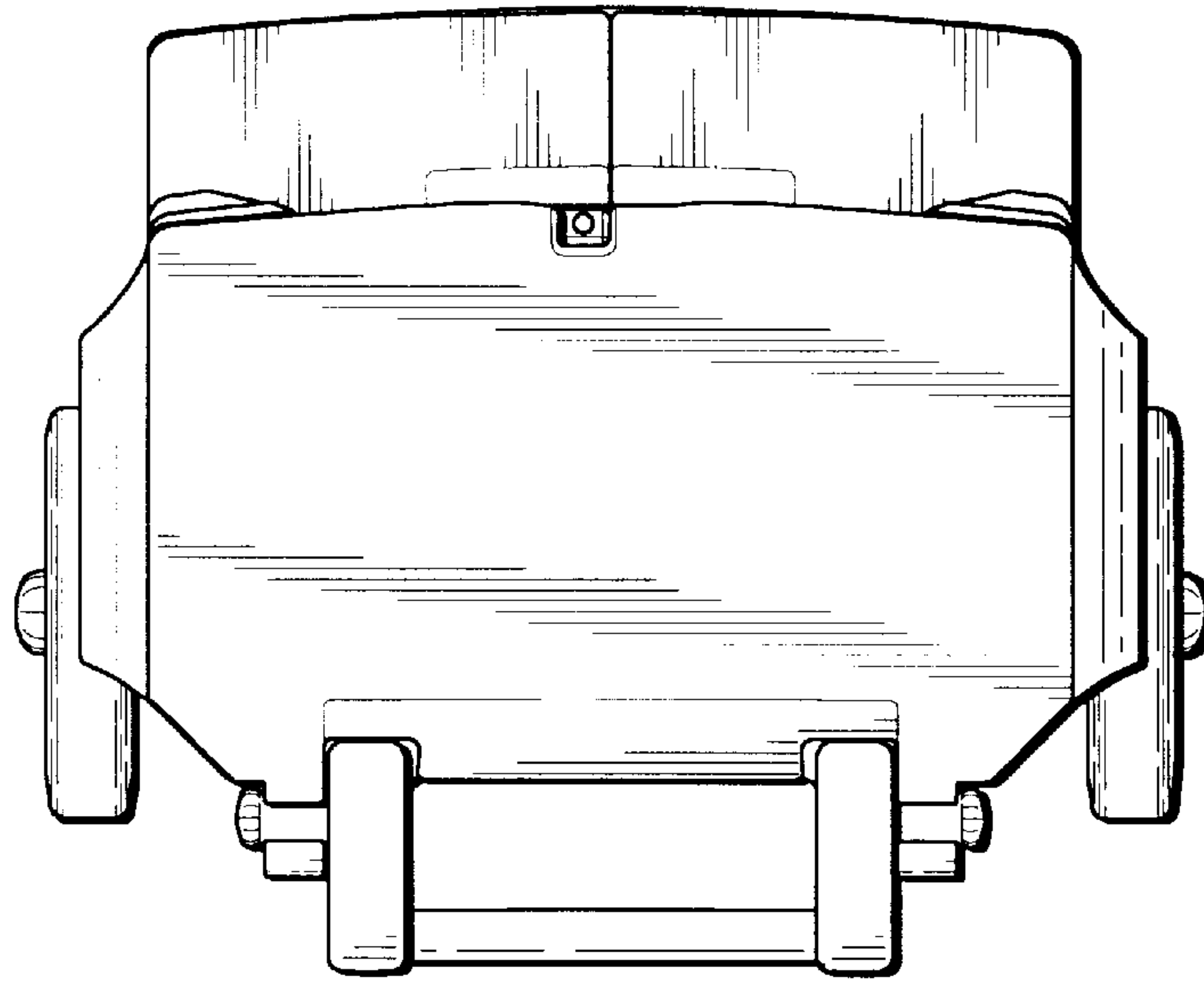
*FIG. -2*



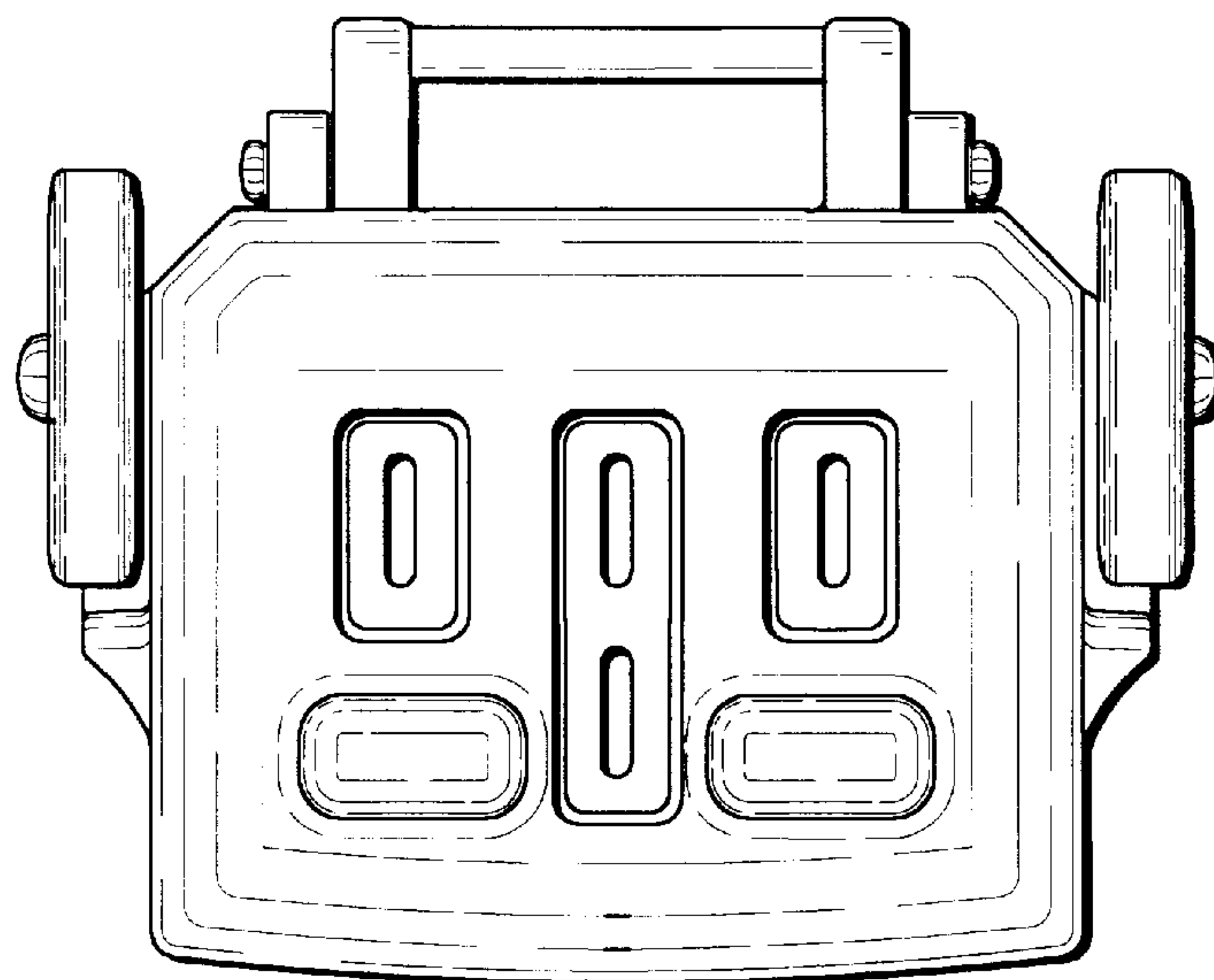
*FIG. -5*



*FIG. -4*



*FIG. -6*



*FIG. -7*